

EXPLANATION OF ABBREVIATIONS IN CATALOGUE

VERDUIDELIKING VAN AFKORTINGS IN KATALOGUS

Calf traits	DIRECT CALF TRAITS	DIREKTE KALF EIENSKAPPE	Kalf eienskappe
Daughter traits	DAUGHTER TRAITS	DOGTER EIENSKAPPE	Dogter eienskappe
Growth traits	GROWTH	GROEI	Groei eienskappe
Efficiency traits	EFF	DOEL	Doeltreffendheids eienskappe
Reproduction traits	REPRODUCTION	REPRODUKSIE	Reproduksie eienskappe
Body measurements	MEASURE	MATES	Liggaamsmates
Lot number	Lot	Lot	Lotnommer
Ratio	R:	V:	Verhouding
Identification number	ID	ID	Identifikasienommer
Generation/Section of Herdbook	Gen	Gen	Generasie/Afdeling van kuddeboek
Weight in kilogram	Wgt kg	Gew kg	Gewig in kilogram
Index	Ind	Ind	Indeks
Accuracy of breeding value	Acc	Akk	Akkuraatheid van teelwaarde
Birth direct (kg)	Birth Dir	Geb Dir	Geboorte direk (kg)
Birth maternal (kg)	Birth Mat	Geb Mat	Geboorte maternaal (kg)
Wean direct (kg)	Wean Dir	Speen Dir	Speen direk (kg)
Wean maternal (kg)	Wean Mat	Speen Mat	Speen maternaal (kg)
Mature weight (kg)	Mature Wgt	Volw Gew	Volwasse gewig (kg)
365 Days (kg)	365d	365d	365 Dae (kg)
540 Days (kg)	540d	540d	540 Dae (kg)
Average daily gain (g/day)	ADG	GDT	Gemiddelde daaglikse toename (g/dag)
Feed conversion ratio	FCR	VOV	Voeromsetverhouding
Scrotal circumference (mm)	SC	SO	Skrotum omvang (mm)
Age First Calving	AFC	OEK	Ouderdom Eerste Kalwing
Inter Calving Period	ICP	TKP	Tussen Kalf Periode
Height (mm)	Hgt	Hgt	Hoogte (mm)
Length (mm)	Lgt	Lgt	Lengte (mm)
Length : Height ratio	LHR	HLV	Lengte : Hoogte verhouding
Birth weight : Cow weight ratio	BWR	GGV	Geboortegewig : Koeigewig verhouding
Wean weight : Cow weight ratio	WWR	SGV	Speengewig : Koeigewig verhouding
Age in years and months / Number of calvings	Age / Calv	Oud / Kalw	Ouderdom in jare en maande / Aantal kalwings
Average Wean index / Number of calves	Ave WI / Calf	Gem SI / Kalf	Gemiddelde Speenindeks / Aantal kalwers
Reproduction index	R.I.	R.I.	Reproduksie Indeks
Polled	Polled	Poena	Poena
Post Wean 365 days & Post Wean 540 days	PW365 & PW540	NS365 & NS540	Naspeen 365 dae & Naspeen 540 dae
Growth test & Growth test group	GT & GTg	GT & GTg	Groei Toets & Groeitoets groep
Central test	CT	ST	Sentrale toets
Ouerskap Verifikasie	OV	PV	Parentage Verification
Genomies Getoets	GT	GT	Genomically Tested
Homosigoties Poena (Celtic Toets)	PP(c)	PP(c)	Homozygous Polled (Celtic Test)
Heterosigoties Poena (Celtic Toets)	Pp(c)	Pp(c)	Heterozygous Polled (Celtic Test)
Beide Ouers Geverifieer	PV	PV	Both Parents Verified
Sire Geverifieer	SV	SV	Sire Verified
Dam Geverifieer	DV	DV	Dam Verified

FEMALE ANIMALS

Lot	Seller	ID POLLED Gen	PARENTS		Test Genomic Tested DNA Birth Date	Breeding Value Indexes					Calf ID	Breeder Own Remarks								
			SIRE GV PV	DAM GV PV		Birth Dir	Wean Dir	Birth Mat	Wean Mat	Mat Wgt			Post Wean	ADG	FCR	SC	Hgt	Lgt	LHR	Birth Date (Weight)
			Wgt kg			kg	kg	kg	kg	kg			365dM	540d Ind	Ind	Ind	(mm)	(mm)	(mm)	WWR

Cows with Calves

1A	FUZ BONSMARAS	FUZ 110096 SP	AG 020263	PW540	90	86	96	101	96	84	98	103	92	89	95	-	BONMFUZ 190157	Dragtig van LMR 13-374
					2.08	7.1	0.00	4.2	6.0	10.4	84	-52	3.3	-8	7	-	BONMMMC 120238	
			FUZ 980080	27.10.11	41													
1B	FUZ BONSMARAS	FUZ 110006 SP	HJB 020223	PW540	112	90	95	90	75	89	87	91	94	86	91	-	BONMFUZ 190029	Dragtig van PEK 16-001
					-0.24	8.5	0.03	1.0	-17.0	14.3	33	-27	4.6	-10	0	-	BONMJFE 140097	
			FUZ 070134	25.08.11	35													
2A	FUZ BONSMARAS	FUZ 110170 B	LPS 060117	PW540	86	107	82	90	102	109	110	100	115	106	106	-	BONFFUZ 190102	Dragtig van LMR 13-374
					2.50	16.5	0.65	0.9	11.0	28.1	141	-47	21.4	7	22	-	BONMJFE 140097	
			FUZ 960044	05.12.11	45													
2B	FUZ BONSMARAS	FUZ 110086 SP	LPS 060117	PW540	70	121	90	91	116	123	126	114	114	119	112	-	BONMFUZ 190119	Dragtig van LMR 13-374
					4.19	22.7	0.26	1.4	27.0	37.7	216	-76	20.9	17	30	-	BONMGMA 150348	
			FUZ 060046	25.10.11	48													
2C	FUZ BONSMARAS	FUZ 110056 SP	EI 010200	PW540	92	104	123	86	115	105	105	103	94	105	104	-	BONMFUZ 190209	Dragtig van LMR 13-374
					1.86	15.2	-1.24	-0.1	26.0	24.8	117	-52	4.6	6	19	-	BONMAG 150747	
			FUZ 990036	14.10.11	40													
2D	FUZ BONSMARAS	FUZ 110068 SP	AJ 080015	PW540	95	107	73	120	124	111	100	94	103	97	109	-	BONMFUZ 190107	Dragtig van FUZ 17-049
					1.58	16.5	1.04	9.5	36.0	29.6	95	-34	11.8	-1	26	-	BONMGMA 150348	
			FUZ 070092	18.10.11	34													

1.02	13.3	-0.19	3.8	10	21.6	95	-46	9.5	2	13
------	------	-------	-----	----	------	----	-----	-----	---	----

Lot 1A Dragtig van LMR 13-374

<p>FUZ 110096 SPN Mat. 101 AFC 25 ICP 362 RI 119 Age/Calv. 8/7 Avg. WI/Calf 98/5</p>	 AG 020263 SPN Mat. 70	 AFC 27 ICP 368	<p>AG 980338 SPN Mat. 87</p>	<p>AG 930210 SPN Mat. 104 AG 920184 SPN Mat. 102 AG J 0008 SPN Mat. 88 AG H 0061 SPN Mat. 86 LDW N 0001 SPN Mat. 93 LDW L 0002 SPN Mat. 83 RE H 0502 SPN Mat. 129 FUZ 0098 SPN Mat. 115</p>
			<p>AG N 0045 SPN Mat. 105 Age/Calv. 13/12 Avg. WI/Calf 106/12</p>	<p>AG 920114 SPN Mat. 134 Age/Calv. 6/4 Avg. WI/Calf 109/4</p>
			<p>FUZ 980080 SPN Mat. 127 Age/Calv. 13/11 Avg. WI/Calf 104/11</p>	<p>FUZ 920114 SPN Mat. 91</p>
			<p>AFC 34 ICP 370 RI 111</p>	<p>AFC 36 ICP 371</p>

Lot 1B Dragtig van PEK 16-001

<p>FUZ 110006 SPN Mat. 90 AFC 26 ICP 362 RI 118 Age/Calv. 8/7 Avg. WI/Calf 96/6</p>	 HJB 020223 SPN Mat. 94	 AFC 29 ICP 378	<p>GB 920056 SPN Mat. 112</p>	<p>GB N 0004 SPN Mat. 114 GB K 0032 SPN Mat. 94 AG 920282 SPN Mat. 112 HES 960157 SPN Mat. 99 AG 980338 SPN Mat. 87 AG N 0045 SPN Mat. 105 LDW 920204 SPN Mat. 91 FUZ N 0116 SPN Mat. 75</p>
			<p>HJB 990118 SPN Mat. 93 Age/Calv. 12/10 Avg. WI/Calf 104/10</p>	<p>AG 020263 SPN Mat. 70</p>
			<p>FUZ 070134 SPN Mat. 81 Age/Calv. 4/2 Avg. WI/Calf 97/2</p>	<p>FUZ 990076 SPN Mat. 84 Age/Calv. 10/8 Avg. WI/Calf 99/9</p>
			<p>AFC 24 ICP 627 RI 106</p>	<p>AFC 35 ICP 369</p>

Lot 2A Dragtig van LMR 13-374

<p>FUZ 110170 SPN Mat. 90 AFC 33 ICP 374 RI 110 Age/Calv. 8/6 Avg. WI/Calf 101/5</p>	 LPS 060117 SPN Mat. 76 Gold	 AFC 36 ICP 371	<p>PER 010038 SPN Mat. 61 Gold</p>	<p>HJL 940147 SPN Mat. 105 PER 970075 SPN Mat. 73 NFS 950060 SPN Mat. 82 LPS 910063 SPN Mat. 81 RE T 0336 SPN Mat. 62 RE T 0296 SPN Mat. 73</p>
			<p>LPS 990032 SPN Mat. 90 Age/Calv. 14/12 Avg. WI/Calf 105/12</p>	<p>RE H 0681 SPN Mat. 49</p>
			<p>FUZ 960044 SPN Mat. 96 Age/Calv. 15/13 Avg. WI/Calf 100/13</p>	<p>FUZ 0403 SPN Mat. 121 Age/Calv. */6 Avg. WI/Calf 105/6</p>
			<p>AFC 36 ICP 371 RI 111</p>	<p>AFC * ICP 367</p>

Lot 2B Dragtig van LMR 13-374

<p>FUZ 110086 SPN Mat. 91 AFC 35 ICP 371 RI 108 Age/Calv. 8/6 Avg. WI/Calf 103/5</p>	 LPS 060117 SPN Mat. 76 Gold	 AFC 36 ICP 371	<p>PER 010038 SPN Mat. 61 Gold</p>	<p>HJL 940147 SPN Mat. 105 PER 970075 SPN Mat. 73 NFS 950060 SPN Mat. 82 LPS 910063 SPN Mat. 81 LAR 960024 SPN Mat. 82 LA 970014 SPN Mat. 94 RCO 980045 SPN Mat. 60 FUZ 000034 SPN Mat. 114</p>
			<p>LPS 990032 SPN Mat. 90 Age/Calv. 14/12 Avg. WI/Calf 105/12</p>	<p>HJB 030038 SPN Mat. 94</p>
			<p>FUZ 060046 SPN Mat. 87 Age/Calv. 13/11 Avg. WI/Calf 102/10</p>	<p>FUZ 030014 SPN Mat. 77 Age/Calv. 10/8 Avg. WI/Calf 100/8</p>
			<p>AFC 31 ICP 382 RI 111</p>	<p>AFC 36 ICP 370</p>

Lot 2C Dragtig van LMR 13-374

<p>FUZ 110056 SPN Mat. 86 AFC 35 ICP 378 RI 107 Age/Calv. 8/6 Avg. WI/Calf 95/5</p>	 EI 010200 SPN Mat. 106 Elite-Gold	 AFC 32 ICP 484	<p>EI 980080 SPN Mat. 88</p>	<p>BG 960125 SPN Mat. 101 EI 950140 SPN Mat. 101 EI 920079 SPN Mat. 129 EI 900085 SPN Mat. 97 AG K 0066 SPN Mat. 101 AG L 0032 SPN Mat. 76 LDW K 0103 SPN Mat. 84 LDW E 0152 SPN Mat. 90</p>
			<p>EI 950117 SPN Mat. 110 Age/Calv. 16/11 Avg. WI/Calf 100/8</p>	<p>AG 940196 SPN Mat. 87</p>
			<p>FUZ 990036 SPN Mat. 91 Age/Calv. 13/11 Avg. WI/Calf 100/11</p>	<p>LDW 900160 SPN Mat. 92 Age/Calv. 14/12 Avg. WI/Calf 100/12</p>
			<p>AFC 35 ICP 369 RI 111</p>	<p>AFC 31 ICP 382</p>

Lot 2D Dragtig van FUZ 17-049

<p>FUZ 110068 SPN Mat. 120 AFC 35 ICP 373 RI 108 Age/Calv. 8/6 Avg. WI/Calf 105/5</p>	 AJ 080015 SPN Mat. 102	 AFC 35 ICP 371	<p>PHR 040180 SPN Mat. 74</p>	<p>PHR 020010 SPN Mat. 64 PHR 010149 SPN Mat. 109 PHR 930170 SPN Mat. 132 AJJ 940017 SPN Mat. 103 GB 920056 SPN Mat. 112 HJB 990118 SPN Mat. 93 PHR K 0054 SPN Mat. 82 FUZ 900084 SPN Mat. 110</p>
			<p>AJJ 970019 SPN Mat. 122 Age/Calv. 15/13 Avg. WI/Calf 104/13</p>	<p>HJB 020223 SPN Mat. 94</p>
			<p>FUZ 070092 SPN Mat. 122 Age/Calv. 8/7 Avg. WI/Calf 107/6</p>	<p>FUZ 930006 SPN Mat. 110 Age/Calv. 15/13 Avg. WI/Calf 104/13</p>
			<p>AFC 25 ICP 367 RI 118</p>	<p>AFC 37 ICP 367</p>

VROULIKE DIERE

Lot	Verkoper	ID	OUERS	Toets	Teelwaarde indekse											Kalf ID	Gebruiker Eie Opmerkings	
					DIREKTE KALF EIENSKAPPE		DOGTER EIENSKAPPE			GROEI		DOEL	REP	MATES				V:
		VADER GV OV		Genomies Getoets	Geb Dir	Speen Dir	Geb Mat	Speen Mat	Volwas- se Gewig	Naspeen- gewig	GDT	VOV	SO	Hgt	Lgt	LHV	Geboorte dat (Gewig)	
		MOEDER GV OV		DNS	Akk	Akk	Akk	Akk	Akk	Akk	Akk	Akk	Akk	Akk	Akk	GGV	Vaar	
		Gen		Geb. dat.	Gew kg	Gew kg	Ind	kg	kg	kg	365dM	540d Ind	Ind	Ind	(mm)	(mm)	(mm)	GT / POLLED

Koeie met Kalwers

3A	FUZ BONSMARAS	FUZ 110014	VV 080374	NS540	111	122	137	116	104	116	117	114	112	117	115	-	BONFFUZ 190032	Dragtig van JFE 14-097
			FUZ 080068		-0.20 84	23.3 79	-1.87 79	8.1 80	14.0 67	32.5 72	171 62	-77 23	19.4 66	15 67	36 65	-	21.09.19 (30) BONMJFE 140097	
				04.09.11	29										55			
3B	FUZ BONSMARAS	FUZ 110148	EI 010200	NS540	66	115	101	110	142	117	94	96	106	107	107	-	BONMFUZ 190050	Dragtig van FUZ 17-051
			FUZ 040046		4.67 85	20.2 80	-0.24 78	6.7 79	55.0 64	33.6 74	68 59	-37 33	14.0 62	7 63	23 62	-	30.09.19 (43) BONMJFE 140097	
				15.11.11	41										41.8			
3C	FUZ BONSMARAS	FUZ 110140	EI 010200	NS540	102	84	149	112	102	83	97	97	103	111	105	-	BONFFUZ 190028	Dragtig van JFE 14-097
			FUZ 050054		0.77 84	6.1 79	-2.42 79	7.0 80	12.0 66	9.5 74	80 57	-39 35	11.5 60	11 60	20 59	-	10.09.19 (29) BONMJFE 140097	
				10.11.11	35										49.3			
4A	FUZ BONSMARAS	FUZ 110026	HJB 020223	NS540	102	104	93	103	105	98	110	100	102	104	108	-	BONFFUZ 190234	Dragtig van LMR 13-374
			FUZ 080046		0.85 83	15.3 78	0.11 77	4.7 80	15.0 64	20.5 72	141 64	-46 29	10.9 68	5 69	26 67	-	30.12.19 (46) BONMLMR 130374	
				11.09.11	36										51.1			
4B	FUZ BONSMARAS	FUZ 110166	CEW 080056	NS540	84	100	72	107	118	98	103	97	96	118	112	-	BONFFUZ 190084	Dragtig van AG 14-505
			FUZ 010062		2.77 85	13.1 79	1.10 79	5.7 77	29.0 58	20.6 72	106 57	-40 20	6.4 61	16 62	31 61	-	07.10.19 (36) BONMGA 150348	
				28.11.11	41										45.6			
5	FUZ BONSMARAS	FUZ 110098	VV 080374	NS540	64	129	85	108	108	125	97	101	101	104	106	-	BONMFUZ 190153	Dragtig van JFE 14-097
			FUZ 080112		4.80 83	26.4 77	0.48 76	5.9 77	18.0 63	39.1 68	81 53	-49 24	10.4 55	5 55	23 55	-	10.11.19 (51) BONMAG 150747	
				27.10.11	45										61.2			

BONASARA BEESTELERSGENOOTSKAP VAN SA

Saamgestel deur die Suid-Afrikaanse Stamboek- en Veeverbeteringsvereniging

Veilingsdatum: 19/02/2020
Data soos op 07/02/2020 15:04:42

Lot 3A Dragtig van JFE 14-097

FUZ 110014
SPN Mat. 116
OEK 36
TKP 368
RI 108
Oud/Kalw. 8/6
Gem. SI/Kalf 107/5

VV 080374
SPN Mat. 103

FUZ 080068

VV 050036
SPN Mat. 91

VV 020096
OEK 28 SPN Mat. 100
TKP 370 Oud/Kalw. 14/13
Gem. SI/Kalf 101/13

EI 010200
SPN Mat. 106

FUZ 990038
OEK 36 SPN Mat. 106
TKP 371 Oud/Kalw. 12/10
Gem. SI/Kalf 105/10

VV 020392
SPN Mat. 104
VV 020416
SPN Mat. 107
VV 990017
SPN Mat. 92
BG 950120
SPN Mat. 104
EI 980080
SPN Mat. 88
EI 950117
SPN Mat. 110
LDW 900135
SPN Mat. 103
FUZ N 0096
SPN Mat. 97

Lot 3B Dragtig van FUZ 17-051

FUZ 110148
SPN Mat. 110
OEK 34
TKP 367
RI 110
Oud/Kalw. 8/6
Gem. SI/Kalf 111/4

EI 010200
SPN Mat. 106

FUZ 040046
OEK 35 SPN Mat. 74
TKP 384 Oud/Kalw. 7/5
RI 105 Gem. SI/Kalf 92/5

EI 980080
SPN Mat. 88

EI 950117
OEK 32 SPN Mat. 110
TKP 484 Oud/Kalw. 16/11
Gem. SI/Kalf 100/8

RCO 980045
SPN Mat. 60

FUZ 020004
OEK 33 SPN Mat. 97
TKP 371 Oud/Kalw. 5/3
Gem. SI/Kalf 101/3

BG 960125
SPN Mat. 101
EI 950140
SPN Mat. 101
EI 920079
SPN Mat. 129
EI 900085
SPN Mat. 97
AG J 0008
SPN Mat. 88
RCO 950152
SPN Mat. 82
LDW 920204
SPN Mat. 91
FUZ 910012
SPN Mat. 118

Lot 3C Dragtig van JFE 14-097

FUZ 110140
SPN Mat. 112
OEK 34
TKP 365
RI 110
Oud/Kalw. 8/6
Gem. SI/Kalf 102/5

EI 010200
SPN Mat. 106

FUZ 050054
OEK 34 SPN Mat. 123
TKP 375 Oud/Kalw. 11/9
RI 110 Gem. SI/Kalf 103/9

EI 980080
SPN Mat. 88

EI 950117
OEK 32 SPN Mat. 110
TKP 484 Oud/Kalw. 16/11
Gem. SI/Kalf 100/8

DV 990310
SPN Mat. 116
Silver

FUZ 950172
OEK 29 SPN Mat. 128
TKP 391 Oud/Kalw. 11/9
Gem. SI/Kalf 104/9

BG 960125
SPN Mat. 101
EI 950140
SPN Mat. 101
EI 920079
SPN Mat. 129
EI 900085
SPN Mat. 97
RCO 950179
SPN Mat. 123
DV 970028
SPN Mat. 88
LDW 900123
SPN Mat. 111
FUZ 900092
SPN Mat. 117

Lot 4A Dragtig van LMR 13-374

FUZ 110026
SPN Mat. 103
Elite-Brons
OEK 26
TKP 374
RI 116
Oud/Kalw. 8/7
Gem. SI/Kalf 102/6

HJB 020223
SPN Mat. 94

FUZ 080046
OEK 35 SPN Mat. 124
TKP Oud/Kalw. 3/1
RI 93 Gem. SI/Kalf 114/1

GB 920056
SPN Mat. 112

HJB 990118
OEK 29 SPN Mat. 93
TKP 378 Oud/Kalw. 12/10
Gem. SI/Kalf 104/10

EI 010200
SPN Mat. 106
Elite-Silwer

FUZ 040050
OEK 35 SPN Mat. 121
TKP 370 Oud/Kalw. 11/9
Gem. SI/Kalf 103/9

GB N 0004
SPN Mat. 114
GB K 0032
SPN Mat. 94
AG 920282
SPN Mat. 112
HES 960157
SPN Mat. 99
EI 980080
SPN Mat. 88
EI 950117
SPN Mat. 110
AG 940196
SPN Mat. 87
FUZ 940004
SPN Mat. 116

Lot 4B Dragtig van AG 14-505

FUZ 110166
SPN Mat. 107
OEK 33
TKP 372
RI 110
Oud/Kalw. 8/6
Gem. SI/Kalf 105/4

CEW 080056
SPN Mat. 63

FUZ 010062
OEK 32 SPN Mat. 119
TKP 384 Oud/Kalw. 11/9
RI 110 Gem. SI/Kalf 101/9

AG 040288
SPN Mat. 82

CEW 050073
OEK 31 SPN Mat. 56
TKP 430 Oud/Kalw. 12/9
Gem. SI/Kalf 96/9

FUZ 930143
SPN Mat. 126

FUZ 920176
OEK 35 SPN Mat. 98
TKP 439 Oud/Kalw. 9/6
Gem. SI/Kalf 104/6

AG 990104
SPN Mat. 63
AG 960026
SPN Mat. 111
HP 010161
SPN Mat. 65
NFS 900270 P
SPN Mat. 84
LDW 900020
SPN Mat. 116
LDW 900160
SPN Mat. 92
RE H 0681
SPN Mat. 49
FUZ 0115
SPN Mat. 127

Lot 5 Dragtig van JFE 14-097

FUZ 110098
SPN Mat. 108
OEK 34
TKP 379
RI 108
Oud/Kalw. 8/6
Gem. SI/Kalf 104/5

VV 080374
SPN Mat. 103

FUZ 080112
OEK 35 SPN Mat. 90
TKP Oud/Kalw. 3/1
RI 93 Gem. SI/Kalf 105/1

VV 050036
SPN Mat. 91

VV 020096
OEK 28 SPN Mat. 100
TKP 370 Oud/Kalw. 14/13
Gem. SI/Kalf 101/13

EI 010200
SPN Mat. 106

FUZ 020030
OEK 35 SPN Mat. 65
TKP 381 Oud/Kalw. 8/6
Gem. SI/Kalf 96/6

VV 020392
SPN Mat. 104
VV 020416
SPN Mat. 107
VV 990017
SPN Mat. 92
BG 950120
SPN Mat. 104
EI 980080
SPN Mat. 88
EI 950117
SPN Mat. 110
RCO 980045
SPN Mat. 60
FUZ 990054
SPN Mat. 81

FEMALE ANIMALS



Lot	Seller	ID	PARENTS	Test	Breeding Value Indexes											R:	Calf ID	Breeder Own Remarks				
					DIRECT CALF TRAITS		DAUGHTER TRAITS			GROWTH		EFF.	REP	MEASURE-MENTS								
		POLLED		Gen		SIRE	PV	Genomic Tested	Birth Dir	Wean Dir	Birth Mat	Wean Mat	Mat Wgt	Post Wean	ADG	FCR	SC	Hgt	Lgt	LHR	Birth Date (Weight)	
						DAM	PV	DNA	Acc	Acc	Acc	Acc	Acc	Acc	Acc	Acc	Acc	Acc	Acc	BWR	Sire	
						GV	PV	Birth Date	Wgt kg	Wgt kg	Ind	kg	kg	kg	365dM	540d	Ind	Ind	(mm)	(mm)	(mm)	GT / POLLED

Cows with Calves




6	FUZ BONSMARAS	FUZ 120136	FUZ 090081 ☑	PW540	124	71	81	83	76	74	91	91	98	83	88	-	BONFFUZ 190042	Dragtig van LMR 13-374
		SP	FUZ 060110	DNA	-1.53	0.1	0.67	-0.9	-16.0	3.7	53	-27	8.2	-12	-4	-	26.09.19 (40)	
				17.11.12	83	79	76	79	65	72	54	27	57	58	57	-	BONMAG 140505	
7A	FUZ BONSMARAS	FUZ 120106	AJ 080015	PW540	96	111	89	118	124	113	102	95	110	106	112	-	BONFFUZ 190204	Dragtig van LMR 13-374
		SP	FUZ 070092		1.39	18.4	0.33	8.7	36.0	31.0	106	-35	17.7	7	31	-	23.11.19 (39)	
				04.11.12	83	78	75	78	63	70	55	18	59	60	58	-	BONMLMR 130374	
7B	FUZ BONSMARAS	FUZ 120050	CEW 080056	PW540	78	108	73	84	115	104	112	103	90	112	112	-	BONMFUZ 190061	Dragtig van PEK 16-001
		SP	FUZ 050010		3.40	16.8	1.05	-0.6	26.0	24.3	150	-52	1.6	12	30	-	05.10.19 (25)	
				15.10.12	77	71	77	76	62	64	59	23	63	63	62	-	BONMJFE 140097	
7C	FUZ BONSMARAS	FUZ 120190	CEW 080056	PW540	87	106	105	80	100	101	100	98	97	110	106	-	BONFFUZ 190098	Dragtig van FUZ 17-051
		SP	FUZ 080132		2.37	16.0	-0.40	-1.8	10.0	22.6	93	-43	7.4	9	22	-	13.10.19 (34)	
				10.12.12	83	79	76	78	61	71	55	23	58	59	58	-	BONMLMR 130374	
8A	FUZ BONSMARAS	FUZ 120070	LMR 080104 PH	PW540	96	96	110	108	94	100	103	100	106	98	103	-	BONMFUZ 190171	Dragtig van AG 14-505
		SP	FUZ 060078		1.42	11.3	-0.64	6.0	3.0	21.4	109	-46	14.3	0	18	-	15.11.19 (34)	
				21.10.12	83	78	76	76	63	70	55	28	58	58	57	-	BONMMC 120238	
8B	FUZ BONSMARAS	FUZ 120200	LPS 060117	PW540	120	91	101	76	93	94	106	102	98	101	98	-	BONFFUZ 190044	Dragtig van JFE 14-097
		SP	FUZ 060022		-1.08	9.2	-0.24	-2.8	3.0	17.7	124	-50	7.7	3	11	-	28.09.19 (33)	
				17.12.12	83	79	76	79	64	72	56	39	58	58	58	-	BONMLMR 130374	

1.02	13.3	-0.19	3.8	10	21.6	95	-46	9.5	2	13
------	------	-------	-----	----	------	----	-----	-----	---	----


Lot 6 Dragtig van LMR 13-374

<p>FUZ 120136 SPN Mat. 83 AFC 34 ICP 370 RI 109 Age/Calv. 7/5 Avg. WI/Calf 92/4</p>	<p>FUZ 090081 SPN Mat. 84</p> 	<p>FUZ 050030 AFC 36 SPN Mat. 107 ICP 368 Age/Calv. 11/9 Avg. WI/Calf 100/9</p>	<p>AG 020263 SPN Mat. 70</p> 	<p>AG 980338 SPN Mat. 87 AG N 0045 SPN Mat. 105 AG 940196 SPN Mat. 87 FUZ 980032 SPN Mat. 108 B 930047 SPN Mat. 73 B 930061 SPN Mat. 108 LDW 900135 SPN Mat. 103 FUZ 920176 SPN Mat. 98</p>


Lot 7A Dragtig van LMR 13-374

<p>FUZ 120106 SPN Mat. 118 AFC 34 ICP 388 RI 106 Age/Calv. 7/5 Avg. WI/Calf 103/4</p>	<p>AJ 080015 SPN Mat. 102</p> 	<p>FUZ 070092 AFC 25 SPN Mat. 122 ICP 367 Age/Calv. 8/7 RI 118 Avg. WI/Calf 107/6</p>	<p>PHR 040180 SPN Mat. 74</p> 	<p>PHR 020223 SPN Mat. 94</p> 	<p>PHR 020010 SPN Mat. 64 PHR 010149 SPN Mat. 109 PHR 930170 SPN Mat. 132 AJJ 940017 SPN Mat. 103 GB 920056 SPN Mat. 112 HJB 990118 SPN Mat. 93 PHR K 0054 SPN Mat. 82 FUZ 900084 SPN Mat. 110</p>



Lot 7B Dragtig van PEK 16-001

<p>FUZ 120050 SPN Mat. 84 AFC 35 ICP 367 RI 107 Age/Calv. 7/5 Avg. WI/Calf 101/4</p>	<p>CEW 080056 SPN Mat. 63</p> 	<p>CEW 050073 AFC 31 SPN Mat. 56 ICP 430 Age/Calv. 12/9 Avg. WI/Calf 96/9</p>	<p>AG 040288 SPN Mat. 82</p>	<p>AG 990104 SPN Mat. 63 AG 960026 SPN Mat. 111 HP 010161 SPN Mat. 65 NFS 900270 P SPN Mat. 84 AG K 0066 SPN Mat. 101 AG L 0032 SPN Mat. 76 LDW 900135 SPN Mat. 103 FUZ 910078 SPN Mat. 151</p>



Lot 7C Dragtig van FUZ 17-051

<p>FUZ 120190 SPN Mat. 80 AFC 33 ICP 371 RI 109 Age/Calv. 7/5 Avg. WI/Calf 102/4</p>	<p>CEW 080056 SPN Mat. 63</p> 	<p>FUZ 080132 AFC 34 SPN Mat. 85 ICP 368 Age/Calv. 11/9 RI 111 Avg. WI/Calf 97/8</p>	<p>AG 040288 SPN Mat. 82</p>	<p>CEW 050073 AFC 31 SPN Mat. 56 ICP 430 Age/Calv. 12/9 Avg. WI/Calf 96/9</p>	<p>AG 990104 SPN Mat. 63 AG 960026 SPN Mat. 111 HP 010161 SPN Mat. 65 NFS 900270 P SPN Mat. 84 EI 980080 SPN Mat. 88 EI 950117 SPN Mat. 110 RCO 980045 SPN Mat. 60 FUZ 010052 SPN Mat. 98</p>

Lot 8A Dragtig van AG 14-505

<p>FUZ 120070 SPN Mat. 108 AFC 34 ICP 386 RI 106 Age/Calv. 7/5 Avg. WI/Calf 95/4</p>	<p>LMR 080104 SPN Mat. 113</p> 	<p>LMR 020171 AFC 28 SPN Mat. 113 ICP 387 Age/Calv. 11/9 Avg. WI/Calf 108/9</p>	<p>LMR 020173 SPN Mat. 116 Gold</p> 	<p>AG 970223 SPN Mat. 93 LMR 980195 SPN Mat. 125 AG 980033 SPN Mat. 67 LMR 960022 SPN Mat. 102 EI 980080 SPN Mat. 88 EI 950117 SPN Mat. 110 FUZ 930143 SPN Mat. 126 FUZ 980126 SPN Mat. 95</p>

Lot 8B Dragtig van JFE 14-097

<p>FUZ 120200 SPN Mat. 76 AFC 32 ICP 374 RI 110 Age/Calv. 7/5 Avg. WI/Calf 92/4</p>	<p>LPS 060117 SPN Mat. 76 Gold</p> 	<p>FUZ 060022 AFC 32 SPN Mat. 99 ICP 409 Age/Calv. 8/6 RI 105 Avg. WI/Calf 102/6</p>	<p>PER 010038 SPN Mat. 61 Gold</p> 	<p>LPS 990032 AFC 36 SPN Mat. 90 ICP 371 Age/Calv. 14/12 Avg. WI/Calf 105/12</p>	<p>HJL 940147 SPN Mat. 105 PER 970075 SPN Mat. 73 NFS 950060 SPN Mat. 82 LPS 910063 SPN Mat. 81 LAR 960024 SPN Mat. 82 LA 970014 SPN Mat. 94 FUZ 930143 SPN Mat. 126 FUZ 990030 SPN Mat. 114</p>


VROULIKE DIERE

Lot	Verkoper	ID POENA Gen	OUERS VADER GV OV MOEDER GV OV	Toets Genomies Getoets DNS Geb. dat.	DIREKTE KALF EIENSKAPPE		DOGTER EIENSKAPPE			GROEI		DOEL	REP	MATES	V:	KALF AAN HOEF	Kalf ID	Gebruiker Eie Opmerkings		
					Nageslag Geboorte- gewig	Nageslag Speengewig	Gemak van Kalwing	Melk prod.	Volwas- se Gewig	Naspeen- gewig	Daaglikse Toename	Voer- omset		Hoogte & Lengte						
																	Teelwaarde indekse			
					Geb Dir	Speen Dir	Geb Mat	Speen Mat	Volw Gew	Naspeen	GDT	VOV	SO	Hgt	Lgt	LHV	Geboorte dat (Gewig)			
					Akk	Akk	Akk	Akk	Akk	Akk	Akk	Akk	Akk	Akk	Akk	GGV	Vaar			
					Gew kg	Gew kg Ind	kg	kg	kg	365dM Ind	540d Ind	Ind	Ind	(mm)	(mm)	(mm)	GT / POLLED			


Koeie met Kalwers

8C	FUZ BONSMARAS	FUZ 120112	LPS 060117	NS540	100	92	104	85	88	95	106	103	104	98	99	-	BONFFUZ 190156	Dragtig van PEK 16-001
		SP	FUZ 080116		1.02	9.7	-0.38	-0.4	-3.0	18.1	124	-54	12.4	0	12	-	30.10.19 (35)	
				07.11.12	83	77	76	76	61	72	59	40	62	62	61	-	BONMMC 120238	
					37											53.6		
9	FUZ BONSMARAS	FUZ 120124	AG 020263	NS540	101	86	113	91	90	84	88	98	86	83	90	-	BONMFUZ 190063	Dragtig van PEK 16-001
		SP	FUZ 080072		0.91	6.7	-0.79	1.4	-2.0	10.7	40	-42	-1.6	-12	-1	-	05.10.19 (41)	
				09.11.12	82	78	76	78	65	72	55	34	56	57	56	-	BONMGA 150348	
					30											45.5		
10 A	FUZ BONSMARAS	FUZ 120156	LMR 080104	NS540	126	84	98	107	107	89	98	95	98	102	102	-	BONFFUZ 190054	Dragtig van AG 14-505
		B	PH		-1.71	6.2	-0.09	5.7	18.0	13.9	88	-35	7.6	3	16	-	01.10.19 (35)	
			FUZ 980124	23.11.12	84	80	77	79	61	72	55	26	58	58	57	-	BONMAG 140505	
					31											36.5		
10 B	FUZ BONSMARAS	FUZ 120096	CEW 080056	NS540	101	92	96	104	76	84	96	94	97	104	103	-	BONMFUZ 200227	Dragtig van FUZ 17-049
		SP	FUZ 080008		0.89	9.5	-0.01	4.8	-16.0	10.8	77	-33	6.8	5	18	-	10.01.20 (35)	
				04.11.12	82	79	74	78	63	72	58	22	62	63	61	-	BONMAG 150747	
					36											54.2		
11 A	FUZ BONSMARAS	FUZ 120108	AG 020263	NS540	62	118	74	93	99	112	107	110	94	100	104	-	BONMFUZ 190217	Dragtig van JFE 14-097
		SP	FUZ 080106		5.04	21.5	0.99	1.8	8.0	30.0	126	-68	5.0	2	19	-	26.12.19 (44)	
				06.11.12	83	78	75	75	65	72	62	34	66	67	65	-	BONMAG 150747	
					43											46.7		
11 B	FUZ BONSMARAS	FUZ 120092	LMR 080104	NS540	106	84	126	87	85	89	96	98	102	84	90	-	BONMFUZ 190211	Dragtig van PEK 16-001
		SP	PH		0.37	6.0	-1.37	0.2	-6.0	13.7	75	-42	11.1	-11	-1	-	23.12.19 (45)	
			FUZ 040136	03.11.12	84	79	76	76	60	72	55	28	58	59	58	-	BONMMC 120238	
					39											43.6		


Lot 8C Dragtig van PEK 16-001

<p>FUZ 120112 SPN Mat. 85 OEK 34 TKP 379 RI 107 Oud/Kalw. 7/5 Gem. SI/Kalf 96/4</p>	<p>V</p> <p>LPS 060117 SPN Mat. 76 Goud</p>  <p>FUZ 080116</p>	<p>PER 010038 SPN Mat. 61 Goud</p> <p>LPS 990032 SPN Mat. 90 Oud/Kalw. 14/12 Gem. SI/Kalf 105/12</p> <p>EI 010200 SPN Mat. 106</p> <p>FUZ 970122 SPN Mat. 111 Oud/Kalw. 12/10 Gem. SI/Kalf 103/10</p>	<p>HJL 940147 SPN Mat. 105 PER 970075 SPN Mat. 73 NFS 950060 SPN Mat. 82 LPS 910063 SPN Mat. 81 EI 980080 SPN Mat. 88 EI 950117 SPN Mat. 110 LDW 900135 SPN Mat. 103 FUZ N 0268 SPN Mat. 96</p>
<p>OEK 33 TKP 381 RI 107</p>	<p>SPN Mat. 97 Oud/Kalw. 6/4 Gem. SI/Kalf 95/4</p>	<p>OEK 36 TKP 371</p>	<p>OEK 35 TKP 369</p>


Lot 9 Dragtig van PEK 16-001

<p>FUZ 120124 SPN Mat. 91 OEK 34 TKP 373 RI 108 Oud/Kalw. 7/5 Gem. SI/Kalf 98/4</p>	<p>GT</p> <p>AG 020263 SPN Mat. 70</p>  <p>FUZ 080072</p>	<p>AG 980338 SPN Mat. 87</p> <p>AG N 0045 SPN Mat. 105 Oud/Kalw. 13/12 Gem. SI/Kalf 106/12</p> <p>EI 010200 SPN Mat. 106</p> <p>FUZ 020042 SPN Mat. 90 Oud/Kalw. 10/8 Gem. SI/Kalf 100/8</p>	<p>AG 930210 SPN Mat. 104 AG 920184 SPN Mat. 102 AG J 0008 SPN Mat. 88 AG H 0061 SPN Mat. 86 EI 980080 SPN Mat. 88 EI 950117 SPN Mat. 110 RCO 980045 SPN Mat. 60 FUZ 990086 SPN Mat. 105</p>
<p>OEK 35 TKP 370 RI 107</p>	<p>SPN Mat. 107 Oud/Kalw. 7/5 Gem. SI/Kalf 104/4</p>	<p>OEK 27 TKP 368</p>	<p>OEK 36 TKP 371</p>


Lot 10A Dragtig van AG 14-505

<p>FUZ 120156 SPN Mat. 107 OEK 33 TKP 372 RI 109 Oud/Kalw. 7/5 Gem. SI/Kalf 97/4</p>	<p>V</p> <p>LMR 080104 SPN Mat. 113</p>  <p>FUZ 980124</p>	<p>LMR 020173 SPN Mat. 116 Goud</p> <p>LMR 020171 SPN Mat. 113 Oud/Kalw. 11/9 Gem. SI/Kalf 108/9</p> <p>FUZ 930143 SPN Mat. 126</p> <p>FUZ 0434 SPN Mat. 106 Oud/Kalw. *9 Gem. SI/Kalf 99/9</p>	<p>AG 970223 SPN Mat. 93 LMR 980195 SPN Mat. 125 AG 980033 SPN Mat. 67 LMR 960022 SPN Mat. 102 LDW 900020 SPN Mat. 116 LDW 900160 SPN Mat. 92</p>
<p>OEK 34 TKP 372 RI 111</p>	<p>SPN Mat. 116 Oud/Kalw. 14/12 Gem. SI/Kalf 103/12</p>	<p>OEK 28 TKP 387</p>	<p>OEK * TKP 369</p>


Lot 10B Dragtig van FUZ 17-049

<p>FUZ 120096 SPN Mat. 104 OEK 35 TKP 392 RI 104 Oud/Kalw. 7/5 Gem. SI/Kalf 107/4</p>	<p>GT</p> <p>CEW 080056 SPN Mat. 63</p>  <p>FUZ 080008</p>	<p>AG 040288 SPN Mat. 82</p> <p>CEW 050073 SPN Mat. 56 Oud/Kalw. 12/9 Gem. SI/Kalf 96/9</p> <p>HJB 020223 SPN Mat. 94</p> <p>FUZ 050046 SPN Mat. 97 Oud/Kalw. 8/6 Gem. SI/Kalf 95/6</p>	<p>AG 990104 SPN Mat. 63 AG 960026 SPN Mat. 111 HP 010161 SPN Mat. 65 NFS 900270 P SPN Mat. 84 GB 920056 SPN Mat. 112 HJB 990118 SPN Mat. 93 AG 940196 SPN Mat. 87 FUZ 930054 SPN Mat. 118</p>
<p>OEK 36 TKP 376 RI 108</p>	<p>SPN Mat. 98 Oud/Kalw. 11/9 Gem. SI/Kalf 99/8</p>	<p>OEK 31 TKP 430</p>	<p>OEK 34 TKP 379</p>

Lot 11A Dragtig van JFE 14-097

<p>FUZ 120108 SPN Mat. 93 OEK 34 TKP 393 RI 105 Oud/Kalw. 7/5 Gem. SI/Kalf 100/4</p>	<p>GT</p> <p>AG 020263 SPN Mat. 70</p>  <p>FUZ 080106</p>	<p>AG 980338 SPN Mat. 87</p> <p>AG N 0045 SPN Mat. 105 Oud/Kalw. 13/12 Gem. SI/Kalf 106/12</p> <p>RCO 980045 SPN Mat. 60</p> <p>FUZ 990034 SPN Mat. 137 Oud/Kalw. 13/11 Gem. SI/Kalf 112/10</p>	<p>AG 930210 SPN Mat. 104 AG 920184 SPN Mat. 102 AG J 0008 SPN Mat. 88 AG H 0061 SPN Mat. 86 AG J 0008 SPN Mat. 88 RCO 950152 SPN Mat. 82 LDW 900135 SPN Mat. 103 FUZ 910078 SPN Mat. 151</p>
<p>OEK 34 TKP 421 RI 99</p>	<p>SPN Mat. 108 Oud/Kalw. 4/2 Gem. SI/Kalf 107/2</p>	<p>OEK 27 TKP 368</p>	<p>OEK 37 TKP 371</p>

Lot 11B Dragtig van PEK 16-001

<p>FUZ 120092 SPN Mat. 87 OEK 34 TKP 391 RI 105 Oud/Kalw. 7/5 Gem. SI/Kalf 92/4</p>	<p>GT</p> <p>LMR 080104 SPN Mat. 113</p>  <p>FUZ 040136</p>	<p>LMR 020173 SPN Mat. 116 Goud</p> <p>LMR 020171 SPN Mat. 113 Oud/Kalw. 11/9 Gem. SI/Kalf 108/9</p> <p>EI 010200 SPN Mat. 106</p> <p>FUZ 000106 SPN Mat. 97 Oud/Kalw. 11/9 Gem. SI/Kalf 105/9</p>	<p>AG 970223 SPN Mat. 93 LMR 980195 SPN Mat. 125 AG 980033 SPN Mat. 67 LMR 960022 SPN Mat. 102 EI 980080 SPN Mat. 88 EI 950117 SPN Mat. 110 LDW 920204 SPN Mat. 91 FUZ 900050 SPN Mat. 106</p>
<p>OEK 33 TKP 371 RI 112</p>	<p>SPN Mat. 94 Oud/Kalw. 12/10 Gem. SI/Kalf 98/10</p>	<p>OEK 28 TKP 387</p>	<p>OEK 36 TKP 388</p>

FEMALE ANIMALS


Lot	Seller	ID	PARENTS	Test	Breeding Value Indexes											R:	Calf ID	Breeder Own Remarks				
					DIRECT CALF TRAITS		DAUGHTER TRAITS			GROWTH		EFF.	REP	MEASUREMENTS								
		POLLED		Gen		SIRE	PV	Genomic Tested	Birth Dir	Wean Dir	Birth Mat	Wean Mat	Mat Wgt	Post Wean	ADG	FCR	SC	Hgt	Lgt	LHR	Birth Date (Weight)	
						DAM	PV	DNA	Acc	Acc	Acc	Acc	Acc	Acc	Acc	Acc	Acc	Acc	Acc	WWR	Sire	
						GV	PV	Birth Date	Wgt kg	Wgt kg	Ind	kg	kg	kg	365dM	540dInd	Ind	Ind	(mm)	(mm)	(mm)	GT / POLLED

Cows with Calves


11 C	FUZ BONSMARAS	FUZ 120202	AG 020263	PW540	62	101	102	100	97	100	96	104	91	89	95	-	BONMFUZ 200229	Dragtig van AG 14-505	
					5.10	13.6	-0.28	3.7	7.0	21.9	77	-55	2.7	-7	6	-	BONFFUZ 190146		
			FUZ 050022	10.12.12	82	78	76	78	69	72	57	34	59	59	58	-	BONMAG 150747		
12 A	FUZ BONSMARAS	FUZ 120006	VV 080374	PW540	104	117	122	84	109	107	92	97	101	101	105	-	BONFFUZ 190146	Dragtig van PEK 16-001	
					0.62	21.1	-1.19	-0.5	20.0	26.9	57	-39	10.2	2	20	-	BONMLMR 130374		
			FUZ 090134	01.09.12	82	77	73	76	63	72	61	24	66	67	65	-	BONMLMR 130374		
12 B	FUZ BONSMARAS	FUZ 120122	CEW 080056	PW540	93	108	97	84	94	101	101	99	95	109	104	-	BONFFUZ 190124	Dragtig van AG 14-505	
					1.80	16.8	-0.05	-0.6	3.0	22.5	98	-45	5.9	8	19	-	BONMAG 140505		
			FUZ 040014	08.11.12	84	79	77	77	65	72	53	23	54	55	54	-	BONMAG 140505		
12 C	FUZ BONSMARAS	FUZ 120172	EI 010200	PW540	69	101	110	96	108	98	94	99	88	103	98	-	BONMFUZ 190079	Dragtig van AG 14-505	
					4.32	13.7	-0.66	2.8	18.0	20.5	67	-45	-0.1	4	11	-	BONMJE 140097		
			FUZ 060096	29.11.12	82	76	74	73	64	70	58	33	61	62	61	-	BONMJE 140097		
13 A	FUZ BONSMARAS	FUZ 120094	LMR 080104	PW540	104	97	84	108	110	100	108	100	103	102	104	-	BONMFUZ 190147	Dragtig van FUZ 17-051	
			PH		0.55	11.9	0.54	6.2	20.0	21.7	134	-47	12.1	3	19	-	BONMGA 150348		
			FUZ 010002	03.11.12	83	78	73	76	58	70	55	28	58	59	58	-	BONMGA 150348		
13 B	FUZ BONSMARAS	FUZ 120008	VV 080374	PW540	113	109	126	85	100	104	102	106	103	106	104	-	BONFFUZ 190062	Dragtig van FUZ 17-049	
					-0.33	17.3	-1.36	-0.3	9.0	24.3	106	-60	11.7	7	19	-	BONMGA 150348		
			FUZ 090078	01.09.12	82	78	75	78	64	70	61	24	66	67	65	-	BONMGA 150348		

1.02	13.3	-0.19	3.8	10	21.6	95	-46	9.5	2	13
------	------	-------	-----	----	------	----	-----	-----	---	----


Lot 11C Dragtig van AG 14-505

<p>FUZ 120202 SPN Mat. 100 AFC 33 ICP 398 RI 106 Age/Calv. 7/5 Avg. WI/Calf 96/4</p>	<p>AG 020263 SPN Mat. 70</p> 	<p>AG 980338 SPN Mat. 87</p>	<p>AG 930210 SPN Mat. 104 AG 920184 SPN Mat. 102 AG J 0008 SPN Mat. 88 AG H 0061 SPN Mat. 86 EI 980080 SPN Mat. 88 EI 950117 SPN Mat. 110 FUZ 930143 SPN Mat. 126 FUZ 980134 SPN Mat. 101</p>
<p>FUZ 050022 SPN Mat. 132 Age/Calv. 7/5 Avg. WI/Calf 111/5</p>	<p>FUZ 020076 SPN Mat. 122 Age/Calv. 6/4 Avg. WI/Calf 106/3</p>	<p>AFC 27 ICP 368</p>	<p>AFC 35 ICP 375</p>


Lot 12A Dragtig van PEK 16-001

<p>FUZ 120006 SPN Mat. 84 AFC 38 ICP 363 RI 105 Age/Calv. 7/5 Avg. WI/Calf 99/4</p>	<p>VV 080374 SPN Mat. 103</p> 	<p>VV 050036 SPN Mat. 91</p>	<p>VV 020392 SPN Mat. 104 VV 020416 SPN Mat. 107 VV 990017 SPN Mat. 92 BG 950120 SPN Mat. 104 EI 980080 SPN Mat. 88 EI 950117 SPN Mat. 110 RCO 980045 SPN Mat. 60 FUZ 990054 SPN Mat. 81</p>
<p>FUZ 090134 SPN Mat. 86 Age/Calv. 8/6 Avg. WI/Calf 103/6</p>	<p>FUZ 020030 SPN Mat. 65 Age/Calv. 8/6 Avg. WI/Calf 96/6</p>	<p>AFC 28 ICP 370</p>	<p>AFC 35 ICP 381</p>


Lot 12B Dragtig van AG 14-505

<p>FUZ 120122 SPN Mat. 84 AFC 35 ICP 368 RI 108 Age/Calv. 7/5 Avg. WI/Calf 102/4</p>	<p>CEW 080056 SPN Mat. 63</p> 	<p>AG 040288 SPN Mat. 82</p>	<p>AG 990104 SPN Mat. 63 AG 960026 SPN Mat. 111 HP 010161 SPN Mat. 65 NFS 900270 P SPN Mat. 84 AG J 0008 SPN Mat. 88 RCO 950152 SPN Mat. 82 AG 940196 SPN Mat. 87 FUZ 980050 SPN Mat. 120</p>
<p>FUZ 040014 SPN Mat. 90 Age/Calv. 12/10 Avg. WI/Calf 104/10</p>	<p>FUZ 010006 SPN Mat. 105 Age/Calv. 3/1 Avg. WI/Calf 101/1</p>	<p>AFC 31 ICP 430</p>	<p>AFC 36 ICP</p>


Lot 12C Dragtig van AG 14-505

<p>FUZ 120172 SPN Mat. 96 AFC 33 ICP 376 RI 109 Age/Calv. 7/5 Avg. WI/Calf 101/3</p>	<p>EI 010200 SPN Mat. 106</p> 	<p>EI 980080 SPN Mat. 88</p>	<p>BG 960125 SPN Mat. 101 EI 950140 SPN Mat. 101 EI 920079 SPN Mat. 129 EI 900085 SPN Mat. 97 AG 980338 SPN Mat. 87 AG N 0045 SPN Mat. 105 LDW 910137 SPN Mat. 73 FUZ 900062 SPN Mat. 118</p>
<p>FUZ 060096 SPN Mat. 78 Age/Calv. 6/4 Avg. WI/Calf 94/4</p>	<p>FUZ 970022 SPN Mat. 91 Age/Calv. 12/10 Avg. WI/Calf 104/10</p>	<p>AFC 32 ICP 484</p>	<p>AFC 38 ICP 362</p>

Lot 13A Dragtig van FUZ 17-051

<p>FUZ 120094 SPN Mat. 108 AFC 34 ICP 383 RI 107 Age/Calv. 7/5 Avg. WI/Calf 103/4</p>	<p>LMR 080104 SPN Mat. 113</p> 	<p>LMR 020173 SPN Mat. 116 Gold</p>	<p>AG 970223 SPN Mat. 93 LMR 980195 SPN Mat. 125 AG 980033 SPN Mat. 67 LMR 960022 SPN Mat. 102 AG K 0066 SPN Mat. 101 AG L 0032 SPN Mat. 76 LDW 900135 SPN Mat. 103 FUZ 920076 SPN Mat. 101</p>
<p>FUZ 010002 SPN Mat. 97 Age/Calv. 11/9 Avg. WI/Calf 100/9</p>	<p>FUZ 980114 SPN Mat. 99 Age/Calv. 5/3 Avg. WI/Calf 99/3</p>	<p>AFC 28 ICP 387</p>	<p>AFC 33 ICP 403</p>

Lot 13B Dragtig van FUZ 17-049

<p>FUZ 120008 SPN Mat. 85 AFC 36 ICP 372 RI 106 Age/Calv. 7/5 Avg. WI/Calf 96/4</p>	<p>VV 080374 SPN Mat. 103</p> 	<p>VV 050036 SPN Mat. 91</p>	<p>VV 020392 SPN Mat. 104 VV 020416 SPN Mat. 107 VV 990017 SPN Mat. 92 BG 950120 SPN Mat. 104 AG 980338 SPN Mat. 87 AG N 0045 SPN Mat. 105 DV 990310 SPN Mat. 116 FUZ 950172 SPN Mat. 128</p>
<p>FUZ 090078 SPN Mat. 97 Age/Calv. 6/4 Avg. WI/Calf 103/4</p>	<p>FUZ 050054 SPN Mat. 123 Age/Calv. 11/9 Avg. WI/Calf 103/9</p>	<p>AFC 28 ICP 370</p>	<p>AFC 34 ICP 375</p>



VROULIKE DIERE

Lot	Verkoper	ID	POENA	Gen	OUERS		Toets	Teelwaarde indekse									Kalf ID	Gebruiker Eie Opmerkings		
					VADER GV OV	MOEDER GV OV		Geb Dir	Speen Dir	Geb Mat	Speen Mat	Volw Gew	Naspeen	GDT	VOV	SO			Hgt	Lgt
					DNS	Akk	Akk	Akk	Akk	Akk	Akk	Akk	Akk	Akk	Akk	Akk	Akk	GGV	Vaar	
					Geb. dat.	Gew kg	Gew kg	Ind	kg	kg	kg	365dM Ind	540d Ind	Ind	Ind	(mm)	(mm)	(mm)	SGV	GT / POLLED



Koeie met Kalwers

13 C	FUZ BONSMARAS	FUZ 120046	SP	AG 060151	NS540	100	113	111	96	115	109	105	106	109	94	102	-	BONFFUZ 190104	Dragtig van FUZ 17-049
						1.06	19.3	-0.69	2.8	26.0	28.0	118	-59	16.6	-3	16	-	13.10.19 (38)	
				FUZ 090038	17.10.12	83	78	76	76	64	70	53	42	56	56	55	-	BONMGA 150348	
						35											60.4		
14 A	FUZ BONSMARAS	FUZ 130056	SP	FUZ 110059	NS540	85	95	104	88	110	93	94	94	96	105	102	-	BONMFUZ 190053	Dragtig van LMR 13-374
						2.57	11.1	-0.39	0.6	21.0	16.8	66	-33	6.6	6	16	-	02.10.19 (49)	
				FUZ 090050	DNS	80	75	70	73	60	68	49	21	52	53	52	-	BONMAG 140505	
					06.10.13	38													
14 B	FUZ BONSMARAS	FUZ 130122	SP	FUZ 100131	NS540	87	85	114	117	86	85	95	102	89	93	94	-	BONMFUZ 190071	Dragtig van FUZ 17-051
						2.35	6.4	-0.85	8.5	-5.0	11.1	70	-52	1.1	-4	4	-	05.10.19 (38)	
				FUZ 040134		82	77	72	71	58	70	53	25	59	60	58	-	BONMAG 140505	
					25.10.13	38													
15 A	FUZ BONSMARAS	FUZ 130060	SP	CEW 080056	NS540	75	110	100	89	97	107	108	103	98	118	113	-	BONFFUZ 190068	Dragtig van LMR 13-374
						3.65	17.7	-0.17	0.8	7.0	26.2	129	-52	7.8	16	32	-	29.09.19 (36)	
				FUZ 080130		82	76	74	73	63	70	54	23	57	57	56	-	BONMGA 150348	
					06.10.13	37													
15 B	FUZ BONSMARAS	FUZ 130096	SP	FUZ 100131	NS540	81	92	102	114	92	90	100	103	101	87	94	-	BONMFUZ 190087	Dragtig van PEK 16-001
						3.02	9.4	-0.29	7.8	1.0	14.5	96	-53	10.3	-9	5	-	13.10.19 (32)	
				FUZ 090092		81	74	70	69	57	68	54	20	59	60	58	-	BONMGA 150348	
					19.10.13	41													
16 A	FUZ BONSMARAS	FUZ 130102	SP	AG 020263	NS540	98	75	110	91	72	76	86	97	81	79	83	-	BONMFUZ 190045	Dragtig van LMR 13-374
						1.21	1.9	-0.63	1.3	-21.0	5.1	29	-39	-5.6	-16	-11	-	28.09.19 (37)	
				FUZ 090106		81	76	74	75	64	72	55	32	57	57	56	-	BONMAG 140505	
					20.10.13	33													



Lot 13C Dragtig van FUZ 17-049

<p>FUZ 120046 SPN Mat. 96 OEK 34 TKP 378 RI 107 Oud/Kalw. 7/5 Gem. SI/Kalf 104/4</p>		<p>AG 020251 SPN Mat. 120 Goud</p> <p>AG 990287 SPN Mat. 86 Oud/Kalw. 9/7 Gem. SI/Kalf 96/7</p> <p>FUZ 060111 SPN Mat. 89</p> <p>FUZ 060082 SPN Mat. 77 Oud/Kalw. 9/7 Gem. SI/Kalf 97/7</p>		<p>AG 980338 SPN Mat. 87 AG 950206 SPN Mat. 127 AG 970055 SPN Mat. 109 AG 950091 SPN Mat. 86 BG 960117 SPN Mat. 85 FUZ 000106 SPN Mat. 97 RCO 980045 SPN Mat. 60 FUZ 030156 SPN Mat. 103</p>
---	---	---	---	--



Lot 14A Dragtig van LMR 13-374

<p>FUZ 130056 SPN Mat. 88 OEK 35 TKP 371 RI 105 Oud/Kalw. 6/4 Gem. SI/Kalf 95/3</p>		<p>AG 020251 SPN Mat. 120 Goud</p> <p>AG 990287 SPN Mat. 86 Oud/Kalw. 9/7 Gem. SI/Kalf 96/7</p> <p>FUZ 060111 SPN Mat. 89</p> <p>FUZ 060082 SPN Mat. 77 Oud/Kalw. 9/7 Gem. SI/Kalf 97/7</p>		<p>AG 980338 SPN Mat. 87 AG 950206 SPN Mat. 127 AG 970055 SPN Mat. 109 AG 950091 SPN Mat. 86 BG 960117 SPN Mat. 85 FUZ 000106 SPN Mat. 97 RCO 980045 SPN Mat. 60 FUZ 030156 SPN Mat. 103</p>
--	---	---	---	--



Lot 14B Dragtig van FUZ 17-051

<p>FUZ 130122 SPN Mat. 117 OEK 34 TKP 376 RI 106 Oud/Kalw. 6/4 Gem. SI/Kalf 101/3</p>		<p>AG 020263 SPN Mat. 70</p> <p>FUZ 040136 SPN Mat. 94 Oud/Kalw. 12/10 Gem. SI/Kalf 98/10</p> <p>DV 990310 SPN Mat. 116 Silver</p> <p>FUZ 990046 SPN Mat. 127 Oud/Kalw. 5/3 Gem. SI/Kalf 107/3</p>		<p>AG 980338 SPN Mat. 87 AG N 0045 SPN Mat. 105 EI 010200 SPN Mat. 106 FUZ 000106 SPN Mat. 97 RCO 950179 SPN Mat. 123 DV 970028 SPN Mat. 88 FUZ 930143 SPN Mat. 126 FUZ 0412 SPN Mat. 119</p>
--	---	--	---	---



Lot 15A Dragtig van LMR 13-374

<p>FUZ 130060 SPN Mat. 89 OEK 35 TKP 374 RI 105 Oud/Kalw. 6/4 Gem. SI/Kalf 103/3</p>		<p>AG 020263 SPN Mat. 70</p> <p>FUZ 040136 SPN Mat. 94 Oud/Kalw. 12/10 Gem. SI/Kalf 98/10</p> <p>DV 990310 SPN Mat. 116 Silver</p> <p>FUZ 990046 SPN Mat. 127 Oud/Kalw. 5/3 Gem. SI/Kalf 107/3</p>		<p>AG 980338 SPN Mat. 87 AG N 0045 SPN Mat. 105 EI 010200 SPN Mat. 106 FUZ 000106 SPN Mat. 97 RCO 950179 SPN Mat. 123 DV 970028 SPN Mat. 88 FUZ 930143 SPN Mat. 126 FUZ 0412 SPN Mat. 119</p>
---	---	--	---	---

Lot 15B Dragtig van PEK 16-001

<p>FUZ 130096 SPN Mat. 114 OEK 34 TKP 379 RI 105 Oud/Kalw. 6/4 Gem. SI/Kalf 101/3</p>		<p>AG 020263 SPN Mat. 70</p> <p>FUZ 040136 SPN Mat. 94 Oud/Kalw. 12/10 Gem. SI/Kalf 98/10</p> <p>DDJ 040034 SPN Mat. 131</p> <p>FUZ 050092 SPN Mat. 93 Oud/Kalw. 7/5 Gem. SI/Kalf 93/5</p>		<p>AG 980338 SPN Mat. 87 AG N 0045 SPN Mat. 105 EI 010200 SPN Mat. 106 FUZ 000106 SPN Mat. 97 BFB 000032 SPN Mat. 106 JH 940027 SPN Mat. 124 AG 940196 SPN Mat. 87 FUZ 970016 SPN Mat. 108</p>
--	---	--	---	--

Lot 16A Dragtig van LMR 13-374

<p>FUZ 130102 SPN Mat. 91 OEK 35 TKP 371 RI 106 Oud/Kalw. 6/4 Gem. SI/Kalf 96/3</p>		<p>AG 020263 SPN Mat. 70</p> <p>FUZ 040136 SPN Mat. 94 Oud/Kalw. 12/10 Gem. SI/Kalf 98/10</p> <p>DDJ 040034 SPN Mat. 131</p> <p>FUZ 050092 SPN Mat. 93 Oud/Kalw. 7/5 Gem. SI/Kalf 93/5</p>		<p>AG 980338 SPN Mat. 87 AG N 0045 SPN Mat. 105 Oud/Kalw. 13/12 Gem. SI/Kalf 106/12 DDJ 040034 SPN Mat. 131 FUZ 050104 SPN Mat. 86 Oud/Kalw. 5/3 Gem. SI/Kalf 99/3</p>
--	---	--	---	--

FEMALE ANIMALS


Lot	Seller	ID	PARENTS	Test	Breeding Value Indexes											R:	Calf ID	Breeder Own Remarks					
					DIRECT CALF TRAITS		DAUGHTER TRAITS			GROWTH		EFF.	REP	MEASURE-MENTS									
		POLLED		Gen		SIRE	PV	Genomic Tested	Birth Dir	Wean Dir	Birth Mat	Wean Mat	Mat Wgt	Post Wean	ADG	FCR	SC	Hgt	Lgt	LHR	Birth Date (Weight)		
						DAM	PV	DNA	Acc	Acc	Acc	Acc	Acc	Acc	Acc	Acc	Acc	Acc	Acc	BWR	Sire		
						GV	PV	Birth Date	Wgt kg	Wgt kg	Ind	kg	kg	kg	365dM	540dInd	Ind	Ind	(mm)	(mm)	(mm)	WWR	GT / POLLED

Cows with Calves


16 B	FUZ BONSMARAS	FUZ 130078	FUZ 100131	PW540	92	85	103	107	85	86	97	107	100	91	91	-	BONFFUZ 190070	Dragtig van AG 14-505	
			FUZ 050094		1.83 81	6.6 75	-0.35 72	5.8 70	-7.0 58	12.1 70	82 55	-61 22	9.6 60	-5 61	0 59	-	BONMLMR 130374		
				14.10.13	42														
16 C	FUZ BONSMARAS	FUZ 130214	LPS 060117	PW540	119	85	136	78	82	84	92	97	88	97	94	-	BONMFUZ 190177	Dragtig van AG 14-505	
			FUZ 050124		-0.98 82	6.6 76	-1.83 74	-2.2 73	-10.0 60	10.8 72	56 61	-39 42	0.1 65	0 66	5 64	-	BONMGA 150348		
				21.12.13	33											36.3			
17 A	FUZ BONSMARAS	FUZ 130020	VV 080374	PW540	104	111	97	82	101	105	95	101	101	90	97	-	BONMFUZ 190117	Dragtig van JFE 14-097	
			FUZ 100114		0.64 81	18.2 76	-0.04 72	-1.1 74	11.0 62	25.0 70	70 57	-49 24	10.7 60	-6 61	9 60	-	BONMAG 140505		
				07.09.13	36														
17 B	FUZ BONSMARAS	FUZ 130080	CEW 080056	PW540	58	116	95	93	114	109	109	103	103	119	116	-	BONFFUZ 190174	Dragtig van PEK 16-001	
			FUZ 080034		5.50 82	20.7 75	0.05 74	2.0 68	25.0 58	28.0 70	136 55	-53 24	11.6 57	17 58	36 57	-	BONMMC 120238		
				13.10.13	42														
17 C	FUZ BONSMARAS	FUZ 130024	VV 080374	PW540	119	113	102	100	99	107	103	102	108	103	109	-	BONMFUZ 190095	Dragtig van PEK 16-001	
			FUZ 100078		-0.99 82	19.2 76	-0.28 74	3.8 72	9.0 63	26.2 70	109 57	-52 22	16.2 60	4 61	27 60	-	BONMMC 120238		
				17.09.13	31														
18 A	FUZ BONSMARAS	FUZ 130166	LPS 060117	PW540	73	127	63	110	136	133	131	115	116	124	121	-	BONMFUZ 190145	Dragtig van AG 14-505	
			FUZ 090056		3.92 80	25.4 76	1.51 71	6.7 72	49.0 60	44.4 70	235 59	-79 40	22.4 62	21 63	43 62	-	BONMGA 150348		
				13.11.13	45														

1.02	13.3	-0.19	3.8	10	21.6	95	-46	9.5	2	13
------	------	-------	-----	----	------	----	-----	-----	---	----


Lot 16B Dragtig van AG 14-505

<p>FUZ 130078 SPN Mat. 107 AFC 35 ICP 378 RI 105 Age/Calv. 6/4 Avg. WI/Calf 100/3</p>	<p>FUZ 100131 SPN Mat. 103</p> 	<p>FUZ 050094 SPN Mat. 95 Age/Calv. 8/6 Avg. WI/Calf 98/6</p>	<p>AG 020263 SPN Mat. 70</p>	<p>AG 980338 SPN Mat. 87 AG N 0045 SPN Mat. 105 EI 010200 SPN Mat. 106 FUZ 000106 SPN Mat. 97 AG K 0066 SPN Mat. 101 AG L 0032 SPN Mat. 76 LDW 920204 SPN Mat. 91 FUZ 910108 SPN Mat. 100</p>


Lot 16C Dragtig van AG 14-505

<p>FUZ 130214 SPN Mat. 78 AFC 33 ICP 388 RI 107 Age/Calv. 6/4 Avg. WI/Calf 100/3</p>	<p>FUZ 050124 SPN Mat. 97 Age/Calv. 9/7 Avg. WI/Calf 92/7</p>	<p>PER 010038 SPN Mat. 61 Gold</p>	<p>LPS 060117 SPN Mat. 76 Gold</p> 	<p>HJL 940147 SPN Mat. 105 PER 970075 SPN Mat. 73 NFS 950060 SPN Mat. 82 LPS 910063 SPN Mat. 81 RCO 950179 SPN Mat. 123 DV 970028 SPN Mat. 88 LDW 900123 SPN Mat. 111 FUZ N 0176 SPN Mat. 98</p>


Lot 17A Dragtig van JFE 14-097

<p>FUZ 130020 SPN Mat. 82 AFC 36 ICP 378 RI 103 Age/Calv. 6/4 Avg. WI/Calf 96/3</p>	<p>VV 080374 SPN Mat. 103</p> 	<p>FUZ 100114 SPN Mat. 84 Age/Calv. 3/1 Avg. WI/Calf 106/1</p>	<p>VV 050036 SPN Mat. 91</p>	<p>VV 020392 SPN Mat. 104 VV 020416 SPN Mat. 107 VV 990017 SPN Mat. 92 BG 950120 SPN Mat. 104 AG 980338 SPN Mat. 87 AG N 0045 SPN Mat. 105 BG 960117 SPN Mat. 85 FUZ 960044 SPN Mat. 96</p>


Lot 17B Dragtig van PEK 16-001

<p>FUZ 130080 SPN Mat. 93 AFC 36 ICP 376 RI 104 Age/Calv. 6/4 Avg. WI/Calf 98/3</p>	<p>FUZ 080034 SPN Mat. 131 Age/Calv. 10/8 Avg. WI/Calf 110/8</p>	<p>AG 040288 SPN Mat. 82</p>	<p>CEW 080056 SPN Mat. 63</p> 	<p>AG 990104 SPN Mat. 63 AG 960026 SPN Mat. 111 HP 010161 SPN Mat. 65 NFS 900270 P SPN Mat. 84 EI 980080 SPN Mat. 88 EI 950117 SPN Mat. 110 DV 990310 SPN Mat. 116 FUZ 990038 SPN Mat. 106</p>

Lot 17C Dragtig van PEK 16-001

<p>FUZ 130024 SPN Mat. 100 AFC 35 ICP 381 RI 104 Age/Calv. 6/4 Avg. WI/Calf 100/3</p>	<p>VV 080374 SPN Mat. 103</p> 	<p>FUZ 100078 SPN Mat. 102 Age/Calv. 9/7 Avg. WI/Calf 100/6</p>	<p>VV 050036 SPN Mat. 91</p>	<p>VV 020392 SPN Mat. 104 VV 020416 SPN Mat. 107 VV 990017 SPN Mat. 92 BG 950120 SPN Mat. 104 GB 920056 SPN Mat. 112 HJB 990118 SPN Mat. 93 EI 010200 SPN Mat. 106 FUZ 020076 SPN Mat. 122</p>

Lot 18A Dragtig van AG 14-505

<p>FUZ 130166 SPN Mat. 110 AFC 37 ICP 355 RI 106 Age/Calv. 6/4 Avg. WI/Calf 118/3</p>	<p>FUZ 090056 SPN Mat. 109 Age/Calv. 6/4 Avg. WI/Calf 106/4</p>	<p>PER 010038 SPN Mat. 61 Gold</p>	<p>LPS 060117 SPN Mat. 76 Gold</p> 	<p>HJL 940147 SPN Mat. 105 PER 970075 SPN Mat. 73 NFS 950060 SPN Mat. 82 LPS 910063 SPN Mat. 81 GB 920056 SPN Mat. 112 HJB 990118 SPN Mat. 93 EI 010200 SPN Mat. 106 FUZ 020108 SPN Mat. 84</p>

VROULIKE DIERE

Lot	Verkoper	ID	OUERS	Toets	Teelwaarde indekse											V:	KALF AAN HOEF	Kalf ID	Gebruiker Eie Opmerkings
					Nageslag Geboortegewig		Nageslag Speengewig		Gemak van Kalwing	Melk prod.	Volwas-se Gewig	Naspeen-gewig	Daaglikse Toename	Voer-omset	Hoogte & Lengte				
POENA	Gen	VADER GV OV	MOEDER GV OV	Genomies Getoets	Geb Dir	Speen Dir	Geb Mat	Speen Mat	Volw Gew	Naspeen	GDT	VOV	SO	Hgt	Lgt	GGV	Vaar		
Gen	Gen	GV	OV	DNS	Akk	Akk	Akk	Akk	Akk	Akk	Akk	Akk	Akk	Akk	Akk	Akk	Akk	GT / POLLED	

Koeie met Kalwers

18 B	FUZ BONSMARAS	FUZ 130182	AG 020263	NS540	82	104	74	109	112	99	103	104	96	105	110	-	BONMFUZ 190073	Dragtig van AG 14-505
					2.96	15.1	0.99	6.4	22.0	21.1	107	-55	6.5	6	27	-	07.10.19 (44)	
			FUZ 030122	20.11.13	39													
18 C	FUZ BONSMARAS	FUZ 130012	VV 080374	NS540	111	109	136	93	99	103	93	98	100	102	104	-	BONMFUZ 190121	Dragtig van FUZ 17-051
					-0.13	17.5	-1.83	1.8	9.0	24.1	65	-42	9.8	3	19	-	23.10.19 (36)	
			FUZ 100072	29.08.13	30													
18 D	FUZ BONSMARAS	FUZ 130180	AG 020263	NS540	102	80	115	104	87	80	94	100	87	93	97	-	BONMFUZ 190043	Dragtig van PEK 16-001
					0.83	4.1	-0.87	4.9	-4.0	7.8	65	-46	-1.0	-4	9	-	30.09.19 (34)	
			FUZ 080026	19.11.13	34													
19 A	FUZ BONSMARAS	FUZ 130016	HJB 020223	NS540	112	97	92	113	91	94	108	99	102	111	109	-	BONMFUZ 190163	Dragtig van FUZ 17-049
					-0.29	12.0	0.16	7.4	-1.0	17.7	131	-44	11.5	11	26	-	02.12.19 (41)	
			FUZ 100116	02.09.13	35													
19 B	FUZ BONSMARAS	FUZ 130142	AG 020263	NS540	97	92	88	82	90	91	96	102	89	87	90	-	BONFFUZ 190058	Dragtig van FUZ 17-049
					1.36	9.7	0.35	-1.3	-1.0	15.2	75	-51	1.2	-8	-1	-	03.10.19 (36)	
			FUZ 060046	01.11.13	36													
19 C	FUZ BONSMARAS	FUZ 130090	AG 020263	NS540	69	105	66	106	122	105	98	100	95	94	101	-	BONMFUZ 190097	Dragtig van FUZ 17-049
					4.31	15.7	1.39	5.6	34.0	25.2	86	-46	5.8	-3	14	-	16.10.19 (50)	
			FUZ 070092	17.10.13	46													

BONASARA BEESTENLEGGINGSKAP VAN SA

Saamgestel deur die Suid-Afrikaanse Stamboek- en Veeverbeteringsvereniging

Veilingsdatum: 19/02/2020

Data soos op 07/02/2020 15:04:58

Lot 18B Dragtig van AG 14-505

FUZ 130182
 SPN Mat. 109
 OEK 33
 TKP 378
 RI 107
 Oud/Kalw. 6/4
 Gem. Si/Kalf 101/4

AG 020263
 SPN Mat. 70

Elite-Silwer

FUZ 030122

AG 980338
 SPN Mat. 87

AG N 0045
 OEK 27 SPN Mat. 105
 TKP 368 Oud/Kalw. 13/12
 Gem. Si/Kalf 106/12

FUZ 930143
 SPN Mat. 126

FUZ 990102
 OEK 33 SPN Mat. 116
 TKP 429 Oud/Kalw. 4/2
 Gem. Si/Kalf 108/2

AG 930210
 SPN Mat. 104
AG 920184
 SPN Mat. 102
AG J 0008
 SPN Mat. 88
AG H 0061
 SPN Mat. 86
LDW 900020
 SPN Mat. 116
LDW 900160
 SPN Mat. 92
LDW 900135
 SPN Mat. 103
FUZ N 0288
 SPN Mat. 101

Lot 18C Dragtig van FUZ 17-051

FUZ 130012
 SPN Mat. 93
 OEK 38
 TKP 360
 RI 103
 Oud/Kalw. 6/4
 Gem. Si/Kalf 107/3

VV 080374
 SPN Mat. 103

FUZ 100072
 OEK 34 SPN Mat. 79
 TKP 412 Oud/Kalw. 4/2
 RI 99 Gem. Si/Kalf 93/2

VV 050036
 SPN Mat. 91

VV 020096
 OEK 28 SPN Mat. 100
 TKP 370 Oud/Kalw. 14/13
 Gem. Si/Kalf 101/13

EI 010200
 SPN Mat. 106

FUZ 010116
 OEK 30 SPN Mat. 66
 TKP 384 Oud/Kalw. 11/9
 Gem. Si/Kalf 93/9

VV 020392
 SPN Mat. 104
VV 020416
 SPN Mat. 107
VV 990017
 SPN Mat. 92
BG 950120
 SPN Mat. 104
EI 980080
 SPN Mat. 88
EI 950117
 SPN Mat. 110
LDW 920204
 SPN Mat. 91
FUZ 940026
 SPN Mat. 87

Lot 18D Dragtig van PEK 16-001

FUZ 130180
 SPN Mat. 104
 OEK 33
 TKP 376
 RI 107
 Oud/Kalw. 6/4
 Gem. Si/Kalf 98/3

AG 020263
 SPN Mat. 70

Elite-Goud

FUZ 080026

AG 980338
 SPN Mat. 87

AG N 0045
 OEK 27 SPN Mat. 105
 TKP 368 Oud/Kalw. 13/12
 Gem. Si/Kalf 106/12

EI 010200
 SPN Mat. 106

FUZ 030074
 OEK 35 SPN Mat. 144
 TKP 368 Oud/Kalw. 8/6
 Gem. Si/Kalf 108/5

AG 930210
 SPN Mat. 104
AG 920184
 SPN Mat. 102
AG J 0008
 SPN Mat. 88
AG H 0061
 SPN Mat. 86
EI 980080
 SPN Mat. 88
EI 950117
 SPN Mat. 110
FUZ 930143
 SPN Mat. 126
FUZ 970122
 SPN Mat. 111

Lot 19A Dragtig van FUZ 17-049

FUZ 130016
 SPN Mat. 113
 OEK 37
 TKP 386
 RI 101
 Oud/Kalw. 6/4
 Gem. Si/Kalf 103/3

HJB 020223
 SPN Mat. 94

FUZ 100116
 OEK 34 SPN Mat. 125
 TKP 395 Oud/Kalw. 6/4
 RI 104 Gem. Si/Kalf 104/4

GB 920056
 SPN Mat. 112

HJB 990118
 OEK 29 SPN Mat. 93
 TKP 378 Oud/Kalw. 12/10
 Gem. Si/Kalf 104/10

DDJ 040034
 SPN Mat. 131

FUZ 990040
 OEK 35 SPN Mat. 114
 TKP 374 Oud/Kalw. 11/9
 Gem. Si/Kalf 106/9

GB N 0004
 SPN Mat. 114
GB K 0032
 SPN Mat. 94
AG 920282
 SPN Mat. 112
HES 960157
 SPN Mat. 99
BFB 000032
 SPN Mat. 106
JH 940027
 SPN Mat. 124
AG 940196
 SPN Mat. 87
FUZ 930054
 SPN Mat. 118

Lot 19B Dragtig van FUZ 17-049

FUZ 130142
 SPN Mat. 82
 OEK 34
 TKP 374
 RI 106
 Oud/Kalw. 6/4
 Gem. Si/Kalf 100/3

AG 020263
 SPN Mat. 70

FUZ 060046

AG 980338
 SPN Mat. 87

AG N 0045
 OEK 27 SPN Mat. 105
 TKP 368 Oud/Kalw. 13/12
 Gem. Si/Kalf 106/12

HJB 030038
 SPN Mat. 94

FUZ 030014
 OEK 36 SPN Mat. 77
 TKP 370 Oud/Kalw. 10/8
 Gem. Si/Kalf 100/8

AG 930210
 SPN Mat. 104
AG 920184
 SPN Mat. 102
AG J 0008
 SPN Mat. 88
AG H 0061
 SPN Mat. 86
LAR 960024
 SPN Mat. 82
LA 970014
 SPN Mat. 94
RCO 980045
 SPN Mat. 60
FUZ 000034
 SPN Mat. 114

Lot 19C Dragtig van FUZ 17-049

FUZ 130090
 SPN Mat. 106
 OEK 35
 TKP 376
 RI 105
 Oud/Kalw. 6/4
 Gem. Si/Kalf 102/3

AG 020263
 SPN Mat. 70

FUZ 070092
 OEK 25 SPN Mat. 122
 TKP 367 Oud/Kalw. 8/7
 RI 118 Gem. Si/Kalf 107/6

AG 980338
 SPN Mat. 87

AG N 0045
 OEK 27 SPN Mat. 105
 TKP 368 Oud/Kalw. 13/12
 Gem. Si/Kalf 106/12

HJB 020223
 SPN Mat. 94

FUZ 930006
 OEK 37 SPN Mat. 110
 TKP 367 Oud/Kalw. 15/13
 Gem. Si/Kalf 104/13

AG 930210
 SPN Mat. 104
AG 920184
 SPN Mat. 102
AG J 0008
 SPN Mat. 88
AG H 0061
 SPN Mat. 86
GB 920056
 SPN Mat. 112
HJB 990118
 SPN Mat. 93
PHR K 0054
 SPN Mat. 82
FUZ 900084
 SPN Mat. 110

FEMALE ANIMALS


Lot	Seller	ID	PARENTS	Test	Breeding Value Indexes										R:	Calf ID	Breeder Own Remarks					
					DIRECT CALF TRAITS		DAUGHTER TRAITS			GROWTH		EFF.	REP	MEASURE-MENTS								
		POLLED		Gen		SIRE	PV	Genomic Tested	Birth Dir	Wean Dir	Birth Mat	Wean Mat	Mat Wgt	Post Wean	ADG	FCR	SC	Hgt	Lgt	LHR	Birth Date (Weight)	
						DAM	PV	DNA	Acc	Acc	Acc	Acc	Acc	Acc	Acc	Acc	Acc	Acc	Acc	BWR	Sire	
						GV	PV	Birth Date	Wgt kg	Wgt kg	Ind	kg	kg	kg	365dM	540d	Ind	Ind	(mm)	(mm)	(mm)	GT / POLLED

Cows with Calves


20 A	FUZ BONSMARAS	FUZ 130120	AG 020263	PW540	93	84	111	93	92	82	92	101	89	88	91	-	BONFFUZ 190206	Dragtig van JFE 14-097
		SP	FUZ 090144		1.82	5.8	-0.67	1.9	1.0	9.0	60	-49	0.5	-8	0	-	25.11.19 (34)	
				25.10.13	82	77	74	73	62	72	62	32	67	67	66	-	BONMAG 140505	
20 B	FUZ BONSMARAS	FUZ 130028	HJB 020223	PW540	108	96	98	105	119	96	105	98	103	108	107	-	BONFFUZ 190192	Dragtig van AG 14-505
		SP	FUZ 100110		0.17	11.7	-0.09	5.1	30.0	19.1	118	-42	12.1	8	24	-	17.11.19 (35)	
				19.09.13	81	75	73	71	63	70	53	26	55	55	55	-	BONMLMR 130374	
20 C	FUZ BONSMARAS	FUZ 130184	AG 020263	PW540	92	85	88	83	86	90	87	96	90	84	89	-	BONMFUZ 200225	Dragtig van FUZ 17-051
		SP	FUZ 050024		1.85	6.6	0.38	-0.8	-5.0	14.4	35	-39	1.5	-11	-2	-	05.01.20 (44)	
				21.11.13	82	77	75	74	64	72	62	34	65	66	64	-	BONMAG 150747	
21 A	FUZ BONSMARAS	FUZ 140042	DBP 100268	PW540	97	93	83	102	91	93	91	95	96	96	93	-	BONMFUZ 190135	Dragtig van AG 14-505
		SP	FUZ 110016		1.30	9.9	0.60	4.4	0.0	16.8	56	-36	6.1	-2	3	-	28.10.19 (43)	
				21.09.14	78	72	61	60	47	68	50	39	55	56	55	-	BONMFUZ 150085	
21 B	FUZ BONSMARAS	FUZ 140118	FUZ 090081	PW540	108	88	104	96	76	95	101	102	97	99	97	-	BONFFUZ 190080	Dragtig van FUZ 17-049
		SP	FUZ 050122		0.22	8.0	-0.37	2.6	-16.0	18.5	98	-50	7.2	1	9	-	07.10.19 (36)	
				28.10.14	81	77	71	72	60	71	57	27	61	62	61	-	BONMJFE 140097	
21 C	FUZ BONSMARAS	FUZ 140058	FUZ 090081	PW540	95	88	92	93	95	93	104	103	86	93	95	-	BONMFUZ 190067	Dragtig van PEK 16-001
		SP	FUZ 100036		1.56	7.9	0.18	1.8	5.0	16.5	111	-53	-1.8	-4	6	-	06.10.19 (39)	
				06.10.14	80	74	69	65	52	69	57	25	61	62	60	-	BONMAG 140505	

1.02	13.3	-0.19	3.8	10	21.6	95	-46	9.5	2	13
------	------	-------	-----	----	------	----	-----	-----	---	----


Lot 20A Dragtig van JFE 14-097

<p>FUZ 130120 SPN Mat. 93 AFC 35 ICP 383 RI 104 Age/Calv. 6/4 Avg. WI/Calf 106/3</p>	 AG 020263 SPN Mat. 70	<p>AG 980338 SPN Mat. 87</p> <p>AG N 0045 AFC 27 SPN Mat. 105 ICP 368 Age/Calv. 13/12 Avg. WI/Calf 106/12</p> <p>DDJ 040034 SPN Mat. 131</p> <p>FUZ 040136 AFC 33 SPN Mat. 94 ICP 371 Age/Calv. 12/10 Avg. WI/Calf 98/10</p>	<p>AG 930210 SPN Mat. 104 AG 920184 SPN Mat. 102 AG J 0008 SPN Mat. 88 AG H 0061 SPN Mat. 86 BFB 000032 SPN Mat. 106 JH 940027 SPN Mat. 124 EI 010200 SPN Mat. 106 FUZ 000106 SPN Mat. 97</p>
---	--	--	---


Lot 20B Dragtig van AG 14-505

<p>FUZ 130028 SPN Mat. 105 AFC 37 ICP 378 RI 103 Age/Calv. 6/4 Avg. WI/Calf 102/3</p>	 HJB 020223 SPN Mat. 94	<p>GB 920056 SPN Mat. 112</p> <p>HJB 990118 AFC 29 SPN Mat. 93 ICP 378 Age/Calv. 12/10 Avg. WI/Calf 104/10</p> <p>DDJ 040034 SPN Mat. 131</p> <p>FUZ 100110 AFC 34 SPN Mat. 127 ICP Age/Calv. 3/1 RI 96 Avg. WI/Calf 109/1</p>	<p>GB N 0004 SPN Mat. 114 GB K 0032 SPN Mat. 94 AG 920282 SPN Mat. 112 HES 960157 SPN Mat. 99 BFB 000032 SPN Mat. 106 JH 940027 SPN Mat. 124 EI 010200 SPN Mat. 106 FUZ 020130 SPN Mat. 85</p>
--	---	--	--



Lot 20C Dragtig van FUZ 17-051

<p>FUZ 130184 SPN Mat. 83 AFC 35 ICP 395 RI 103 Age/Calv. 6/4 Avg. WI/Calf 98/3</p>	 AG 020263 SPN Mat. 70	<p>AG 980338 SPN Mat. 87</p> <p>AG N 0045 AFC 27 SPN Mat. 105 ICP 368 Age/Calv. 13/12 Avg. WI/Calf 106/12</p> <p>EI 010200 SPN Mat. 106</p> <p>FUZ 020024 AFC 36 SPN Mat. 94 ICP 369 Age/Calv. 13/11 Avg. WI/Calf 104/11</p>	<p>AG 930210 SPN Mat. 104 AG 920184 SPN Mat. 102 AG J 0008 SPN Mat. 88 AG H 0061 SPN Mat. 86 EI 980080 SPN Mat. 88 EI 950117 SPN Mat. 110 RCO 980045 SPN Mat. 60 FUZ 990012 SPN Mat. 117</p>
--	--	--	--


Lot 21A Dragtig van AG 14-505

<p>FUZ 140042 SPN Mat. 102 AFC 35 ICP 395 RI 101 Age/Calv. 5/3 Avg. WI/Calf 98/2</p>	 DBP 100268 SPN Mat. 109 Bronze	<p>DFP 060067 SPN Mat. 96 Gold</p> <p>DFP 020040 AFC 30 SPN Mat. 95 ICP 446 Age/Calv. 11/8 Avg. WI/Calf 94/7</p> <p>VV 080374 SPN Mat. 103</p> <p>FUZ 070072 AFC 25 SPN Mat. 85 ICP 474 Age/Calv. 6/4 Avg. WI/Calf 94/4</p>	<p>DFP 050119 SPN Mat. 86 DFP 960142 SPN Mat. 123 RCO 970247 SPN Mat. 76 DFP 970161 SPN Mat. 131 VV 050036 SPN Mat. 91 VV 020096 SPN Mat. 100 EI 010200 SPN Mat. 106 FUZ 030116 SPN Mat. 93</p>
---	--	---	---

Lot 21B Dragtig van FUZ 17-049

<p>FUZ 140118 SPN Mat. 96 AFC 35 ICP 377 RI 104 Age/Calv. 5/3 Avg. WI/Calf 103/2</p>	 FUZ 090081 SPN Mat. 84  Elite-Bronze FUZ 050122	<p>AG 020263 SPN Mat. 70</p> <p>FUZ 050030 AFC 36 SPN Mat. 107 ICP 368 Age/Calv. 11/9 Avg. WI/Calf 100/9</p> <p>DV 990310 SPN Mat. 116 Silver</p> <p>FUZ 010016 AFC 34 SPN Mat. 79 ICP 468 Age/Calv. 5/3 Avg. WI/Calf 101/3</p>	<p>AG 980338 SPN Mat. 87 AG N 0045 SPN Mat. 105 AG 940196 SPN Mat. 87 FUZ 980032 SPN Mat. 108 RCO 950179 SPN Mat. 123 DV 970028 SPN Mat. 88 RCO 980045 SPN Mat. 60 FUZ 980112 SPN Mat. 86</p>
---	--	---	---

Lot 21C Dragtig van PEK 16-001

<p>FUZ 140058 SPN Mat. 93 AFC 38 ICP 338 RI 103 Age/Calv. 5/3 Avg. WI/Calf 107/2</p>	 FUZ 090081 SPN Mat. 84	<p>AG 020263 SPN Mat. 70</p> <p>FUZ 050030 AFC 36 SPN Mat. 107 ICP 368 Age/Calv. 11/9 Avg. WI/Calf 100/9</p> <p>EI 010200 SPN Mat. 106</p> <p>FUZ 040064 AFC 35 SPN Mat. 117 ICP 366 Age/Calv. 15/13 Avg. WI/Calf 102/12</p>	<p>AG 980338 SPN Mat. 87 AG N 0045 SPN Mat. 105 AG 940196 SPN Mat. 87 FUZ 980032 SPN Mat. 108 EI 980080 SPN Mat. 88 EI 950117 SPN Mat. 110 DV 990310 SPN Mat. 116 FUZ 990036 SPN Mat. 91</p>
---	---	--	--



VROULIKE DIERE

Lot	Verkoper	ID	OUERS	Toets	Teelwaarde indekse											Kalf ID	Gebruiker Eie Opmerkings	
					DIREKTE KALF EIENSKAPPE		DOGTER EIENSKAPPE			GROEI		DOEL	REP	MATES				V:
		VADER GV OV		Genomies Getoets	Geb Dir	Speen Dir	Geb Mat	Speen Mat	Volwas- Gewig	Naspeen- gewig	GDT	VOV	SO	Hgt	Lgt	LHV	Geboorte dat (Gewig)	
		MOEDER GV OV		DNS	Akk	Akk	Akk	Akk	Akk	Akk	Akk	Akk	Akk	Akk	Akk	GGV	Vaar	
		Gen		Geb. dat.	Gew kg	Gew kg	Ind	kg	kg	kg	365dM	540d Ind	Ind	Ind	(mm)	(mm)	(mm)	GT / POLLED



Koeie met Kalwers

22 A	FUZ BONSMARAS	FUZ 140032	VV 080374	NS540	93	119	122	100	118	115	106	105	103	112	111	-	BONFFUZ 190110	Dragtig van PEK 16-001
					1.72	21.9	-1.19	3.7	30.0	32.3	122	-57	11.7	11	29	-	16.10.19 (27)	
			FUZ 110172	15.09.14	35	76	71	72	63	70	54	21	56	57	56	46.2	BONMGA 150348	
22 B	FUZ BONSMARAS	FUZ 140086	CEW 080056	NS540	84	104	94	78	102	98	96	96	101	102	102	-	BONMFUZ 190133	Dragtig van JFE 14-097
					2.77	15.2	0.09	-2.4	12.0	20.5	75	-39	10.3	4	16	-	28.10.19 (45)	
			FUZ 090038	17.10.14	35	76	69	72	61	70	52	21	55	55	54	42.6	BONMJFE 140097	
22 C	FUZ BONSMARAS	FUZ 140142	FUZ 110049	NS540	100	105	96	86	104	109	118	111	100	107	105	-	BONFFUZ 190086	Dragtig van AG 14-505
					1.00	15.4	-0.02	-0.1	14.0	27.9	178	-70	9.7	7	21	-	09.10.19 (36)	
			FUZ 080036	06.11.14	35	74	68	64	42	67	48	26	52	53	51	44.4	BONMJFE 140097	
22 D	FUZ BONSMARAS	FUZ 140056	FUZ 090081	NS540	95	82	91	90	112	88	92	94	107	86	90	-	BONFFUZ 190040	Dragtig van FUZ 17-051
					1.52	5.2	0.21	1.0	22.0	13.0	56	-34	15.0	-10	-2	-	20.09.19 (35)	
			FUZ 080032	06.10.14	34	74	69	65	54	69	56	25	60	61	59	34.9	BONMAG 140505	
23 A	FUZ BONSMARAS	FUZ 140018	VV 080374	NS540	102	127	89	116	94	115	108	106	105	111	116	-	BONMFUZ 190231	Dragtig van JFE 14-097
					0.78	25.5	0.32	8.2	3.0	32.1	133	-60	13.2	11	37	-	27.12.19 (35)	
			FUZ 110032	07.09.14	29	74	65	70	63	70	57	22	60	61	59	48.7	BONMLMR 130374	
23 B	FUZ BONSMARAS	FUZ 140146	FUZ 110185	NS540	107	81	95	114	98	80	98	100	95	90	96	-	BONMFUZ 200223	Dragtig van AG 14-505
					0.25	4.9	0.06	7.7	8.0	7.6	87	-47	5.3	-6	7	-	04.01.20 (40)	
			FUZ 090062	10.11.14	30	74	66	68	57	66	54	19	59	60	58	44.3	BONMMC 120238	



Lot 22A Dragtig van PEK 16-001

<p>FUZ 140032 SPN Mat. 100 OEK 36 TKP 387 RI 101 Oud/Kalw. 5/3 Gem. Si/Kalf 106/2</p>		<p>VV 080374 SPN Mat. 103</p> <p>FUZ 110172 SPN Mat. 93 Oud/Kalw. 7/5 Gem. Si/Kalf 98/4</p>		<p>VV 050036 SPN Mat. 91</p> <p>VV 020096 SPN Mat. 100 Oud/Kalw. 14/13 Gem. Si/Kalf 101/13</p> <p>CEW 080056 SPN Mat. 63</p> <p>FUZ 040064 SPN Mat. 117 Oud/Kalw. 15/13 Gem. Si/Kalf 102/12</p>	<p>VV 020392 SPN Mat. 104 VV 020416 SPN Mat. 107 VV 990017 SPN Mat. 92 BG 950120 SPN Mat. 104 AG 040288 SPN Mat. 82 CEW 050073 SPN Mat. 56 DV 990310 SPN Mat. 116 FUZ 990036 SPN Mat. 91</p>
--	---	---	---	---	--



Lot 22B Dragtig van JFE 14-097

<p>FUZ 140086 SPN Mat. 78 OEK 35 TKP 391 RI 102 Oud/Kalw. 5/3 Gem. Si/Kalf 100/2</p>		<p>AG 040288 SPN Mat. 82</p> <p>CEW 050073 SPN Mat. 56 Oud/Kalw. 12/9 Gem. Si/Kalf 96/9</p> <p>FUZ 060111 SPN Mat. 89</p> <p>FUZ 060082 SPN Mat. 77 Oud/Kalw. 9/7 Gem. Si/Kalf 97/7</p>		<p>CEW 080056 SPN Mat. 63</p> <p>FUZ 090038 SPN Mat. 84 Oud/Kalw. 9/7 Gem. Si/Kalf 98/7</p>	<p>AG 990104 SPN Mat. 63 AG 960026 SPN Mat. 111 HP 010161 SPN Mat. 65 NFS 900270 P SPN Mat. 84 BG 960117 SPN Mat. 85 FUZ 000106 SPN Mat. 97 RCO 980045 SPN Mat. 60 FUZ 030156 SPN Mat. 103</p>
---	---	---	---	---	--



Lot 22C Dragtig van AG 14-505

<p>FUZ 140142 SPN Mat. 86 OEK 37 TKP 343 RI 104 Oud/Kalw. 5/3 Gem. Si/Kalf 98/2</p>		<p>FUZ 110049 SPN Mat. 86</p> <p>FUZ 080036 SPN Mat. 101 Oud/Kalw. 11/9 Gem. Si/Kalf 104/8</p>		<p>LPS 060117 SPN Mat. 76 Goud Elite-Goud</p> <p>FUZ 060070 SPN Mat. 105 Oud/Kalw. 13/11 Gem. Si/Kalf 103/10</p> <p>HJB 030038 SPN Mat. 94</p> <p>FUZ 020054 SPN Mat. 93 Oud/Kalw. 8/6 Gem. Si/Kalf 94/6</p>	<p>PER 010038 SPN Mat. 61 LPS 990032 SPN Mat. 90 EI 010200 SPN Mat. 106 FUZ 020034 SPN Mat. 84 LAR 960024 SPN Mat. 82 LA 970014 SPN Mat. 94 FUZ 930143 SPN Mat. 126 FUZ 930008 SPN Mat. 75</p>
--	---	--	---	--	--



Lot 22D Dragtig van FUZ 17-051

<p>FUZ 140056 SPN Mat. 90 OEK 35 TKP 366 RI 103 Oud/Kalw. 5/3 Gem. Si/Kalf 97/2</p>		<p>AG 020263 SPN Mat. 70</p> <p>FUZ 050030 SPN Mat. 107 Oud/Kalw. 11/9 Gem. Si/Kalf 100/9</p> <p>EI 010200 SPN Mat. 106</p> <p>FUZ 030042 SPN Mat. 89 Oud/Kalw. 10/8 Gem. Si/Kalf 96/8</p>		<p>FUZ 090081 SPN Mat. 84</p> <p>FUZ 080032 SPN Mat. 86 Oud/Kalw. 6/4 Gem. Si/Kalf 89/4</p>	<p>AG 980338 SPN Mat. 87 AG N 0045 SPN Mat. 105 AG 940196 SPN Mat. 87 FUZ 980032 SPN Mat. 108 EI 980080 SPN Mat. 88 EI 950117 SPN Mat. 110 BG 960117 SPN Mat. 85 FUZ 980134 SPN Mat. 101</p>
--	---	--	---	---	--

Lot 23A Dragtig van JFE 14-097

<p>FUZ 140018 SPN Mat. 116 OEK 36 TKP 422 RI 97 Oud/Kalw. 5/3 Gem. Si/Kalf 113/2</p>		<p>VV 080374 SPN Mat. 103</p> <p>FUZ 110032 SPN Mat. 109 Oud/Kalw. 3/1 Gem. Si/Kalf 117/1</p>		<p>VV 050036 SPN Mat. 91</p> <p>VV 020096 SPN Mat. 100 Oud/Kalw. 14/13 Gem. Si/Kalf 101/13</p> <p>HJB 020223 SPN Mat. 94</p> <p>FUZ 080078 SPN Mat. 92 Oud/Kalw. 5/3 Gem. Si/Kalf 88/3</p>	<p>VV 020392 SPN Mat. 104 VV 020416 SPN Mat. 107 VV 990017 SPN Mat. 92 BG 950120 SPN Mat. 104 GB 920056 SPN Mat. 112 HJB 990118 SPN Mat. 93 EI 010200 SPN Mat. 106 FUZ 970158 SPN Mat. 97</p>
---	---	---	---	--	---

Lot 23B Dragtig van AG 14-505

<p>FUZ 140146 SPN Mat. 114 OEK 34 TKP 426 RI 100 Oud/Kalw. 5/3 Gem. Si/Kalf 104/2</p>		<p>AG 020263 SPN Mat. 70</p> <p>FUZ 060116 SPN Mat. 104 Oud/Kalw. 5/3 Gem. Si/Kalf 95/3</p> <p>DDJ 040034 SPN Mat. 131</p> <p>FUZ 020060 SPN Mat. 98 Oud/Kalw. 9/7 Gem. Si/Kalf 99/6</p>		<p>FUZ 110185 SPN Mat. 90</p> <p>FUZ 090062 SPN Mat. 127 Oud/Kalw. 6/4 Gem. Si/Kalf 108/4</p>	<p>AG 980338 SPN Mat. 87 AG N 0045 SPN Mat. 105 HJB 020223 SPN Mat. 94 FUZ 000076 SPN Mat. 122 BFB 000032 SPN Mat. 106 JH 940027 SPN Mat. 124 FUZ 930143 SPN Mat. 126 FUZ 970030 SPN Mat. 88</p>
--	---	--	---	---	--

FEMALE ANIMALS


Lot	Seller	ID	PARENTS	Test	Breeding Value Indexes											R:	Calf ID	Breeder Own Remarks					
					DIRECT CALF TRAITS		DAUGHTER TRAITS			GROWTH		EFF.	REP	MEASURE-MENTS									
		POLLED		Gen		SIRE	PV	Genomic Tested	Birth Dir	Wean Dir	Birth Mat	Wean Mat	Mat Wgt	Post Wean	ADG	FCR	SC	Hgt	Lgt	LHR	Birth Date (Weight)		
						DAM	PV	DNA	Acc	Acc	Acc	Acc	Acc	Acc	Acc	Acc	Acc	Acc	Acc	BWR	Sire		
						GV	PV	Birth Date	Wgt kg	Wgt kg	Ind	kg	kg	kg	365dM	540dInd	Ind	Ind	(mm)	(mm)	(mm)	WWR	GT / POLLED

Cows with Calves


23 C	FUZ BONSMARAS	FUZ 140124	DBP 100268	PW540	97	94	88	98	100	101	100	98	99	93	96	-	BONFFUZ 190184	Dragtig van FUZ 17-049
		SP	FUZ 110072		1.33	10.6	0.37	3.2	10.0	22.0	93	-42	8.6	-4	7	-	BONMLMR 130374	
				29.10.14	80	73	66	62	47	68	52	40	57	58	56	-		
24 A	FUZ BONSMARAS	FUZ 140068	CEW 080056	PW540	62	117	70	99	116	115	101	99	102	114	112	-	BONFFUZ 190162	Dragtig van JFE 14-097
		SP	FUZ 020070		5.05	20.7	1.18	3.6	27.0	32.1	98	-44	11.2	13	31	-	BONMGA 150348	
				08.10.14	82	78	72	73	57	72	57	23	60	60	59	-		
24 B	FUZ BONSMARAS	FUZ 140122	FUZ 110049	PW540	88	104	123	97	112	110	116	111	99	106	105	-	BONMFUZ 190207	Dragtig van JFE 14-097
		SP	FUZ 090144		2.26	15.3	-1.23	3.1	22.0	28.6	167	-70	8.9	6	21	-	BONMAG 140505	
				29.10.14	80	74	68	64	48	68	49	24	53	54	52	-		
24 C	FUZ BONSMARAS	FUZ 140060	FUZ 090081	PW540	91	88	84	86	101	94	97	96	99	92	94	-	BONMFUZ 190065	Dragtig van JFE 14-097
		SP	FUZ 100080		1.94	8.0	0.56	0.0	11.0	17.5	81	-38	8.4	-5	5	-	BONMLMR 130374	
				05.10.14	80	73	69	64	54	68	51	24	53	54	53	-		
25 A	FUZ BONSMARAS	FUZ 150007	FUZ 120077	PW365	101	105	98	129	113	111	108	97	109	103	111	-	BONFFUZ 190154	Dragtig van LMR 13-374
		SP	FUZ 120106		0.90	15.7	-0.10	11.9	24.0	29.3	130	-40	16.5	4	30	-	BONMMC 120238	
				23.08.15	80	75	68	69	59	61	52	23	55	55	54	-		
25 B	FUZ BONSMARAS	FUZ 150050	FUZ 120145	PW365	81	113	101	84	102	112	111	105	104	111	111	-	BONFFUZ 190126	Dragtig van LMR 13-374
		SP	FUZ 110056		3.01	19.0	-0.23	-0.6	11.0	30.2	145	-56	12.6	11	29	-	BONMGA 150348	
				27.09.15	80	74	67	68	60	58	46	20	50	51	49	-		

1.02	13.3	-0.19	3.8	10	21.6	95	-46	9.5	2	13
------	------	-------	-----	----	------	----	-----	-----	---	----


Lot 23C Dragtig van FUZ 17-049

<p>FUZ 140124 SPN Mat. 98 AFC 35 ICP 393 RI 102 Age/Calv. 5/3 Avg. WI/Calf 103/2</p>	<p>DBP 100268 SPN Mat. 109 Bronze</p> 	<p>FUZ 110072 SPN Mat. 84 Age/Calv. 5/4 Avg. WI/Calf 98/4</p>	<p>DFP 060067 SPN Mat. 96 Gold</p> <p>DFP 020040 SPN Mat. 95 Age/Calv. 11/8 Avg. WI/Calf 94/7</p> <p>AG 020263 SPN Mat. 70</p> <p>Elite-Gold</p> <p>FUZ 030018 SPN Mat. 98 Age/Calv. 15/14 Avg. WI/Calf 101/12</p>	<p>DFP 050119 SPN Mat. 86 DFP 960142 SPN Mat. 123 RCO 970247 SPN Mat. 76 DFP 970161 SPN Mat. 131 AG 980338 SPN Mat. 87 AG N 0045 SPN Mat. 105 FUZ 930143 SPN Mat. 126 FUZ 980068 SPN Mat. 94</p>
---	--	---	---	---


Lot 24A Dragtig van JFE 14-097

<p>FUZ 140068 SPN Mat. 99 AFC 35 ICP 412 RI 100 Age/Calv. 5/3 Avg. WI/Calf 109/2</p>	<p>CEW 080056 SPN Mat. 63</p> 	<p>FUZ 020070 SPN Mat. 106 Age/Calv. 12/10 Avg. WI/Calf 104/10</p>	<p>AG 040288 SPN Mat. 82</p> <p>CEW 050073 SPN Mat. 56 Age/Calv. 12/9 Avg. WI/Calf 96/9</p> <p>RCO 980045 SPN Mat. 60</p> <p>FUZ 990098 SPN Mat. 114 Age/Calv. 4/2 Avg. WI/Calf 102/2</p>	<p>AG 990104 SPN Mat. 63 AG 960026 SPN Mat. 111 HP 010161 SPN Mat. 65 NFS 900270 P SPN Mat. 84 AG J 0008 SPN Mat. 88 RCO 950152 SPN Mat. 82 FUZ 930143 SPN Mat. 126 FUZ 920134 SPN Mat. 92</p>
---	---	--	---	---


Lot 24B Dragtig van JFE 14-097

<p>FUZ 140122 SPN Mat. 97 AFC 34 ICP 417 RI 100 Age/Calv. 5/3 Avg. WI/Calf 104/2</p>	<p>FUZ 110049 SPN Mat. 86</p> 	<p>FUZ 090144 SPN Mat. 103 Age/Calv. 10/8 Avg. WI/Calf 96/7</p>	<p>LPS 060117 SPN Mat. 76 Gold Elite-Gold</p> <p>FUZ 060070 SPN Mat. 105 Age/Calv. 13/11 Avg. WI/Calf 103/10</p> <p>DDJ 040034 SPN Mat. 131</p> <p>FUZ 040136 SPN Mat. 94 Age/Calv. 12/10 Avg. WI/Calf 98/10</p>	<p>PER 010038 SPN Mat. 61 LPS 990032 SPN Mat. 90 EI 010200 SPN Mat. 106 FUZ 020034 SPN Mat. 84 BFB 000032 SPN Mat. 106 JH 940027 SPN Mat. 124 EI 010200 SPN Mat. 106 FUZ 000106 SPN Mat. 97</p>
---	---	---	--	--


Lot 24C Dragtig van JFE 14-097

<p>FUZ 140060 SPN Mat. 86 AFC 36 ICP 360 RI 103 Age/Calv. 5/3 Avg. WI/Calf 92/2</p>	<p>FUZ 090081 SPN Mat. 84</p> 	<p>FUZ 100080 SPN Mat. 91 Age/Calv. 5/3 Avg. WI/Calf 95/2</p>	<p>AG 020263 SPN Mat. 70</p> <p>FUZ 050030 SPN Mat. 107 Age/Calv. 11/9 Avg. WI/Calf 100/9</p> <p>EI 010200 SPN Mat. 106</p> <p>FUZ 060108 SPN Mat. 91 Age/Calv. 8/6 Avg. WI/Calf 93/5</p>	<p>AG 980338 SPN Mat. 87 AG N 0045 SPN Mat. 105 AG 940196 SPN Mat. 87 FUZ 980032 SPN Mat. 108 EI 980080 SPN Mat. 88 EI 950117 SPN Mat. 110 HJB 020223 SPN Mat. 94 FUZ 960044 SPN Mat. 96</p>
--	---	---	---	---

Lot 25A Dragtig van LMR 13-374

<p>FUZ 150007 SPN Mat. 129 AFC 25 ICP 388 RI 118 Age/Calv. 4/3 Avg. WI/Calf 111/2</p>	<p>FUZ 120077 SPN Mat. 123</p> 	<p>FUZ 120106 SPN Mat. 118 Age/Calv. 7/5 Avg. WI/Calf 103/4</p>	<p>LMR 080104 SPN Mat. 113</p> <p>Elite-Gold</p> <p>FUZ 060070 SPN Mat. 105 Age/Calv. 13/11 Avg. WI/Calf 103/10</p> <p>AJ 080015 SPN Mat. 102</p> <p>FUZ 070092 SPN Mat. 122 Age/Calv. 8/7 Avg. WI/Calf 107/6</p>	<p>LMR 020173 SPN Mat. 116 LMR 020171 SPN Mat. 113 EI 010200 SPN Mat. 106 FUZ 020034 SPN Mat. 84 PHR 040180 SPN Mat. 74 AJJ 970019 SPN Mat. 122 HJB 020223 SPN Mat. 94 FUZ 930006 SPN Mat. 110</p>
--	--	---	---	---

Lot 25B Dragtig van LMR 13-374

<p>FUZ 150050 SPN Mat. 84 AFC 24 ICP 377 RI 121 Age/Calv. 4/3 Avg. WI/Calf 104/2</p>	<p>FUZ 120145 SPN Mat. 74</p> 	<p>FUZ 110056 SPN Mat. 86 Age/Calv. 8/6 Avg. WI/Calf 95/5</p>	<p>CEW 080056 SPN Mat. 63</p> <p>FUZ 090028 SPN Mat. 100 Age/Calv. 8/6 Avg. WI/Calf 105/6</p> <p>EI 010200 SPN Mat. 106</p> <p>Elite-Gold</p> <p>FUZ 990036 SPN Mat. 91 Age/Calv. 13/11 Avg. WI/Calf 100/11</p>	<p>AG 040288 SPN Mat. 82 CEW 050073 SPN Mat. 56 FUZ 060111 SPN Mat. 89 FUZ 060116 SPN Mat. 104 EI 980080 SPN Mat. 88 EI 950117 SPN Mat. 110 AG 940196 SPN Mat. 87 LDW 900160 SPN Mat. 92</p>
---	---	---	---	---





VROULIKE DIERE

Lot	Verkoper	ID	POENA	Gen	OUERS		Toets	Teelwaarde indekse									Kalf ID	Gebruiker Eie Opmerkings		
					VADER GV OV	MOEDER GV OV		Genomies Getoets	DNS	Geb Dir	Speen Dir	Geb Mat	Speen Mat	Volwas- se Gewig	Naspeen	GDT			VOV	SO
					Geb. dat.	Gew kg	Gew kg	Ind	kg	kg	kg	365dM	540d Ind	Ind	Ind	(mm)	(mm)	(mm)	GT / POLLED	





Koeie met Kalwers

25 C	FUZ BONSMARAS	FUZ 150082	FUZ 120101	NS365	73	97	86	78	88	90	85	92	83	91	94	-	BONMFUZ 190115	Dragtig van JFE 14-097
			FUZ 110178		3.89 79	11.7 72	0.45 67	-2.3 61	-3.0 53	14.8 56	27 48	-29 20	-4.1 52	-5 52	5 51	-	BONMGA 150348	
					11.10.15	36										48		
26 A	FUZ BONSMARAS	FUZ 150160	FUZ 120101	NS365	114	94	110	77	97	89	103	97	95	112	108	-	BONMFUZ 190155	Dragtig van FUZ 17-051
			FUZ 050048		-0.47 80	10.6 74	-0.66 69	-2.5 64	6.0 53	13.8 58	108 50	-41 20	5.5 54	11 54	25 53	-	BONMMC 120238	
					01.11.15	32										43.5		
26 B	FUZ BONSMARAS	FUZ 150012	FUZ 120077	NS365	90	96	100	106	85	98	103	99	99	96	102	-	BONFFUZ 190134	Dragtig van FUZ 17-049
			FUZ 120056		2.04 79	11.3 74	-0.18 64	5.6 63	-7.0 53	20.2 62	109 57	-45 27	8.3 61	-1 61	17 60	-	BONMGA 150348	
					01.09.15	32										49.3		
26 C	FUZ BONSMARAS	FUZ 150076	FUZ 120061	NS365	73	118	77	106	129	114	119	108	99	121	119	-	BONFFUZ 190186	Dragtig van FUZ 17-051
			FUZ 110166		3.94 79	21.6 73	0.85 64	5.5 62	41.0 48	31.6 56	180 47	-65 16	8.4 51	19 52	40 51	-	BONMAG 140505	
					07.11.15	38										51.2		
27 A	FUZ BONSMARAS	FUZ 150112	FUZ 120061	NS365	89	113	97	87	113	112	114	110	93	108	106	-	BONMFUZ 190129	Dragtig van LMR 13-374
			FUZ 040032		2.14 80	19.2 74	-0.03 65	0.2 57	24.0 44	30.0 58	157 48	-68 20	4.2 52	8 53	22 52	-	BONMJFE 140097	
					18.10.15	33										39.1		
27 B	FUZ BONSMARAS	FUZ 150038	FUZ 120077	NS365	92	98	89	121	98	104	105	100	104	94	102	-	BONFFUZ 190142	Dragtig van PEK 16-001
			FUZ 120090		1.83 77	12.4 72	0.30 58	9.7 54	8.0 45	24.6 60	116 52	-46 31	12.5 54	-3 54	16 54	-	BONMMC 120238	
					13.09.15	34										52.5		





Lot 25C Dragtig van JFE 14-097

<p>FUZ 150082 SPN Mat. 78 OEK 24 TKP 374 RI 122 Oud/Kalw. 4/3 Gem. SI/Kalf 99/2</p>		<p>FUZ 120101 SPN Mat. 73</p>	<p>CEW 080056 SPN Mat. 63</p> <p>FUZ 080042 OEK 35 SPN Mat. 103 TKP 388 Oud/Kalw. 7/5 Gem. SI/Kalf 103/5</p> <p>AG 020263 SPN Mat. 70</p> <p>FUZ 040034 OEK 37 SPN Mat. 92 TKP 366 Oud/Kalw. 11/9 Gem. SI/Kalf 102/9</p>	  	<p>AG 040288 SPN Mat. 82 CEW 050073 SPN Mat. 56 HJB 020223 SPN Mat. 94 FUZ 050106 SPN Mat. 98 AG 980338 SPN Mat. 87 AG N 0045 SPN Mat. 105 EI 010200 SPN Mat. 106 FUZ 010038 SPN Mat. 81</p>
--	---	--	--	---	--





Lot 26A Dragtig van FUZ 17-051

<p>FUZ 150160 SPN Mat. 77 OEK 24 TKP 377 RI 122 Oud/Kalw. 4/3 Gem. SI/Kalf 98/2</p>		<p>FUZ 120101 SPN Mat. 73</p>	<p>CEW 080056 SPN Mat. 63</p> <p>FUZ 080042 OEK 35 SPN Mat. 103 TKP 388 Oud/Kalw. 7/5 Gem. SI/Kalf 103/5</p> <p>AG 940196 SPN Mat. 87</p> <p>FUZ 000034 OEK 36 SPN Mat. 114 TKP 368 Oud/Kalw. 12/10 Gem. SI/Kalf 105/9</p>	  	<p>AG 040288 SPN Mat. 82 CEW 050073 SPN Mat. 56 HJB 020223 SPN Mat. 94 FUZ 050106 SPN Mat. 98 AG K 0066 SPN Mat. 101 AG L 0032 SPN Mat. 76 FUZ 930143 SPN Mat. 126 FUZ 970010 SPN Mat. 85</p>
--	---	--	--	---	---





Lot 26B Dragtig van FUZ 17-049

<p>FUZ 150012 SPN Mat. 106 OEK 26 TKP 357 RI 119 Oud/Kalw. 4/3 Gem. SI/Kalf 100/2</p>		<p>FUZ 120077 SPN Mat. 123</p>	<p>LMR 080104 SPN Mat. 113</p> <p>FUZ 060070 OEK 31 SPN Mat. 105 TKP 380 Oud/Kalw. 13/11 Gem. SI/Kalf 103/10</p> <p>AG 020263 SPN Mat. 70</p> <p>FUZ 080130 OEK 33 SPN Mat. 100 TKP 366 Oud/Kalw. 11/9 Gem. SI/Kalf 97/8</p>	  	<p>LMR 020173 SPN Mat. 116 LMR 020171 SPN Mat. 113 EI 010200 SPN Mat. 106 FUZ 020034 SPN Mat. 84 AG 980338 SPN Mat. 87 AG N 0045 SPN Mat. 105 EI 010200 SPN Mat. 106 FUZ 030048 SPN Mat. 87</p>
--	---	---	--	---	---




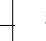
Lot 26C Dragtig van FUZ 17-051

<p>FUZ 150076 SPN Mat. 106 OEK 37 TKP 349 RI 98 Oud/Kalw. 4/2 Gem. SI/Kalf 120/1</p>		<p>FUZ 120061 SPN Mat. 90</p>	<p>FUZ 090081 SPN Mat. 84</p> <p>FUZ 050040 OEK 35 SPN Mat. 94 TKP 372 Oud/Kalw. 8/6 Gem. SI/Kalf 100/6</p> <p>CEW 080056 SPN Mat. 63</p> <p>FUZ 010062 OEK 32 SPN Mat. 119 TKP 384 Oud/Kalw. 11/9 Gem. SI/Kalf 101/9</p>	  	<p>AG 020263 SPN Mat. 70 FUZ 050030 SPN Mat. 107 EI 010200 SPN Mat. 106 FUZ 020108 SPN Mat. 84 AG 040288 SPN Mat. 82 CEW 050073 SPN Mat. 56 FUZ 930143 SPN Mat. 126 FUZ 920176 SPN Mat. 98</p>
---	---	--	---	---	--

Lot 27A Dragtig van LMR 13-374

<p>FUZ 150112 SPN Mat. 87 OEK 24 TKP 369 RI 122 Oud/Kalw. 4/3 Gem. SI/Kalf 102/1</p>		<p>FUZ 120061 SPN Mat. 90</p>	<p>FUZ 090081 SPN Mat. 84</p> <p>FUZ 050040 OEK 35 SPN Mat. 94 TKP 372 Oud/Kalw. 8/6 Gem. SI/Kalf 100/6</p> <p>RCO 980045 SPN Mat. 60</p> <p>FUZ 010030 OEK 36 SPN Mat. 108 TKP Oud/Kalw. 3/1 Gem. SI/Kalf 110/1</p>	  	<p>AG 020263 SPN Mat. 70 FUZ 050030 SPN Mat. 107 EI 010200 SPN Mat. 106 FUZ 020108 SPN Mat. 84 AG J 0008 SPN Mat. 88 RCO 950152 SPN Mat. 82 AG 940196 SPN Mat. 87 FUZ 980030 SPN Mat. 118</p>
---	---	--	--	---	---

Lot 27B Dragtig van PEK 16-001

<p>FUZ 150038 SPN Mat. 121 OEK 38 TKP 346 RI 96 Oud/Kalw. 4/2 Gem. SI/Kalf 117/1</p>		<p>FUZ 120077 SPN Mat. 123</p>	<p>LMR 080104 SPN Mat. 113</p> <p>FUZ 060070 OEK 31 SPN Mat. 105 TKP 380 Oud/Kalw. 13/11 Gem. SI/Kalf 103/10</p> <p>AG 060151 SPN Mat. 94</p> <p>FUZ 050102 OEK 33 SPN Mat. 118 TKP 372 Oud/Kalw. 11/9 Gem. SI/Kalf 107/9</p>	  	<p>LMR 020173 SPN Mat. 116 LMR 020171 SPN Mat. 113 EI 010200 SPN Mat. 106 FUZ 020034 SPN Mat. 84 AG 020251 SPN Mat. 120 AG 990287 SPN Mat. 86 BG 960117 SPN Mat. 85 FUZ 980030 SPN Mat. 118</p>
---	---	---	---	---	---

FEMALE ANIMALS


Lot	Seller	ID	PARENTS	Test	Breeding Value Indexes											R:	Calf ID	Breeder Own Remarks					
					DIRECT CALF TRAITS		DAUGHTER TRAITS			GROWTH		EFF.	REP	MEASURE-MENTS									
		POLLED		Gen		SIRE	PV	Genomic Tested	Birth Dir	Wean Dir	Birth Mat	Wean Mat	Mat Wgt	Post Wean	ADG	FCR	SC	Hgt	Lgt	LHR	Birth Date (Weight)		
						DAM	PV	DNA	Acc	Acc	Acc	Acc	Acc	Acc	Acc	Acc	Acc	Acc	Acc	BWR	Sire		
						GV	PV	Birth Date	Wgt kg	Wgt kg	Ind	kg	kg	kg	365dM	540dInd	Ind	Ind	(mm)	(mm)	(mm)	WWR	GT / POLLED

Cows with Calves


27 C	FUZ BONSMARAS	FUZ 150108	FUZ 120101	PW365	90	111	104	78	114	109	98	97	100	106	107	-	BONFFUZ 190120	Dragtig van AG 14-505
		SP	FUZ 110042		2.07	18.2	-0.35	-2.2	25.0	27.8	86	-40	9.5	7	24	-	BONMLMR 130374	
				17.10.15	80	75	68	69	53	58	48	15	52	52	51	47.1		
27 D	FUZ BONSMARAS	FUZ 150072	FUZ 120101	PW365	105	85	123	91	92	80	93	94	88	103	101	-	BONMFUZ 190125	Dragtig van FUZ 17-049
		SP	FUZ 080068		0.47	6.6	-1.25	1.2	1.0	7.8	63	-33	-0.3	4	15	-	BONMMC 120238	
				06.10.15	79	72	65	56	46	57	49	19	52	53	52	48.4		
28 A	FUZ BONSMARAS	FUZ 150062	FUZ 120101	PW365	95	89	108	88	93	80	96	97	90	99	101	-	BONFFUZ 190132	Dragtig van PEK 16-001
		SP	FUZ 110096		1.53	8.1	-0.55	0.5	2.0	8.0	75	-40	1.2	0	15	-	BONMAG 150747	
				02.10.15	79	73	65	63	53	58	48	20	52	53	51	48.9		
28 B	FUZ BONSMARAS	FUZ 150008	VV 080374	PW365	84	115	88	108	95	113	98	104	98	96	102	-	BONFFUZ 190106	Dragtig van AG 14-505
		SP	FUZ 120202		2.68	20.2	0.35	6.0	4.0	30.5	85	-56	7.8	-1	16	-	BONMJFE 140097	
				29.08.15	80	74	71	66	61	64	53	24	55	56	55	52		
29 A	FUZ BONSMARAS	FUZ 150002	FUZ 120077	PW365	82	114	96	117	121	116	119	107	110	110	114	-	BONFFUZ 190072	Dragtig van JFE 14-097
		SP	FUZ 120072		2.95	19.8	0.02	8.5	33.0	32.7	182	-61	17.8	9	33	-	BONMLMR 130374	
				25.08.15	78	71	62	52	42	60	52	29	55	55	54	43		
29 B	FUZ BONSMARAS	FUZ 150098	FUZ 120145	PW365	83	112	98	96	123	110	104	101	106	110	111	-	BONFFUZ 190152	Dragtig van JFE 14-097
		SP	FUZ 100082		2.79	18.8	-0.11	2.8	35.0	28.8	114	-48	14.6	10	29	-	BONMLMR 130374	
				15.10.15	80	73	67	62	53	58	47	19	51	52	51	49.2		

1.02	13.3	-0.19	3.8	10	21.6	95	-46	9.5	2	13
------	------	-------	-----	----	------	----	-----	-----	---	----


Lot 27C Dragtig van AG 14-505

<p>FUZ 150108 SPN Mat. 78 AFC 22 ICP 392 RI 122 Age/Calv. 4/3 Avg. WI/Calf 94/2</p>	<p>FUZ 120101 SPN Mat. 73</p> 	<p>FUZ 110042 SPN Mat. 98 Age/Calv. 7/5 Avg. WI/Calf 100/5</p>	<p>CEW 080056 SPN Mat. 63</p>	<p>AG 040288 SPN Mat. 82 CEW 050073 SPN Mat. 56 HJB 020223 SPN Mat. 94 FUZ 050106 SPN Mat. 98 VV 050036 SPN Mat. 91 VV 020096 SPN Mat. 100 FUZ 060111 SPN Mat. 89 FUZ 060116 SPN Mat. 104</p>
			<p>FUZ 080042 AFC 35 SPN Mat. 103 ICP 388 Age/Calv. 7/5 Avg. WI/Calf 103/5 VV 080374 SPN Mat. 103</p>	<p>FUZ 090028 AFC 29 SPN Mat. 100 ICP 375 Age/Calv. 8/6 Avg. WI/Calf 105/6</p>


Lot 27D Dragtig van FUZ 17-049

<p>FUZ 150072 SPN Mat. 91 AFC 24 ICP 377 RI 121 Age/Calv. 4/3 Avg. WI/Calf 103/1</p>	<p>FUZ 120101 SPN Mat. 73</p> 	<p>FUZ 080068 SPN Mat. 112 Age/Calv. 8/6 Avg. WI/Calf 101/6</p>	<p>CEW 080056 SPN Mat. 63</p>	<p>AG 040288 SPN Mat. 82 CEW 050073 SPN Mat. 56 HJB 020223 SPN Mat. 94 FUZ 050106 SPN Mat. 98 EI 980080 SPN Mat. 88 EI 950117 SPN Mat. 110 LDW 900135 SPN Mat. 103 FUZ N 0096 SPN Mat. 97</p>
			<p>FUZ 080042 AFC 35 SPN Mat. 103 ICP 388 Age/Calv. 7/5 Avg. WI/Calf 103/5</p>	<p>EI 010200 SPN Mat. 106</p>


Lot 28A Dragtig van PEK 16-001

<p>FUZ 150062 SPN Mat. 88 AFC 24 ICP 374 RI 121 Age/Calv. 4/3 Avg. WI/Calf 97/2</p>	<p>FUZ 120101 SPN Mat. 73</p> 	<p>FUZ 110096 SPN Mat. 101 Age/Calv. 8/7 Avg. WI/Calf 98/5</p>	<p>CEW 080056 SPN Mat. 63</p>	<p>AG 040288 SPN Mat. 82 CEW 050073 SPN Mat. 56 HJB 020223 SPN Mat. 94 FUZ 050106 SPN Mat. 98 AG 980338 SPN Mat. 87 AG N 0045 SPN Mat. 105 LDW 920204 SPN Mat. 91 FUZ 920114 SPN Mat. 134</p>
			<p>FUZ 080042 AFC 35 SPN Mat. 103 ICP 388 Age/Calv. 7/5 Avg. WI/Calf 103/5 AG 020263 SPN Mat. 70</p>	<p>FUZ 980080 AFC 34 SPN Mat. 127 ICP 370 Age/Calv. 13/11 Avg. WI/Calf 104/11</p>


Lot 28B Dragtig van AG 14-505

<p>FUZ 150008 SPN Mat. 108 AFC 25 ICP 376 RI 120 Age/Calv. 4/3 Avg. WI/Calf 107/2</p>	<p>VV 080374 SPN Mat. 103</p> 	<p>FUZ 120202 SPN Mat. 100 Age/Calv. 7/5 Avg. WI/Calf 96/4</p>	<p>VV 050036 SPN Mat. 91</p>	<p>VV 020392 SPN Mat. 104 VV 020416 SPN Mat. 107 VV 990017 SPN Mat. 92 BG 950120 SPN Mat. 104 AG 980338 SPN Mat. 87 AG N 0045 SPN Mat. 105 EI 010200 SPN Mat. 106 FUZ 020076 SPN Mat. 122</p>
			<p>VV 020096 AFC 28 SPN Mat. 100 ICP 370 Age/Calv. 14/13 Avg. WI/Calf 101/13</p>	<p>AG 020263 SPN Mat. 70</p>

Lot 29A Dragtig van JFE 14-097

<p>FUZ 150002 SPN Mat. 117 AFC 36 ICP 394 RI 96 Age/Calv. 4/2 Avg. WI/Calf 95/1</p>	<p>FUZ 120077 SPN Mat. 123</p> 	<p>FUZ 120072 SPN Mat. 109 Age/Calv. 3/1 Avg. WI/Calf 105/1</p>	<p>LMR 080104 SPN Mat. 113</p>	<p>LMR 020173 SPN Mat. 116 LMR 020171 SPN Mat. 113 EI 010200 SPN Mat. 106 FUZ 020034 SPN Mat. 84 PER 010038 SPN Mat. 61 LPS 990032 SPN Mat. 90 EI 010200 SPN Mat. 106 FUZ 040102 SPN Mat. 123</p>
			<p>Elite-Gold FUZ 060070 AFC 31 SPN Mat. 105 ICP 380 Age/Calv. 13/11 Avg. WI/Calf 103/10 LPS 060117 SPN Mat. 76 Gold</p>	<p>FUZ 080034 AFC 36 SPN Mat. 131 ICP 368 Age/Calv. 10/8 Avg. WI/Calf 110/8</p>

Lot 29B Dragtig van JFE 14-097

<p>FUZ 150098 SPN Mat. 96 AFC 24 ICP 371 RI 121 Age/Calv. 4/3 Avg. WI/Calf 94/2</p>	<p>FUZ 120145 SPN Mat. 74</p> 	<p>FUZ 100082 SPN Mat. 128 Age/Calv. 9/7 Avg. WI/Calf 110/6</p>	<p>CEW 080056 SPN Mat. 63</p>	<p>AG 040288 SPN Mat. 82 CEW 050073 SPN Mat. 56 FUZ 060111 SPN Mat. 89 FUZ 060116 SPN Mat. 104 EI 980080 SPN Mat. 88 EI 950117 SPN Mat. 110 RCO 980045 SPN Mat. 60 FUZ 030052 SPN Mat. 106</p>
			<p>FUZ 090028 AFC 29 SPN Mat. 100 ICP 375 Age/Calv. 8/6 Avg. WI/Calf 105/6</p>	<p>EI 010200 SPN Mat. 106</p>


VROULIKE DIERE

Lot	Verkoper	ID	POENA	Gen	OUERS		Toets	Teelwaarde indekse										Kalf ID	Gebruiker Eie Opmerkings	
					VADER GV OV	MOEDER GV OV		Genomies Getoets	DNS	Geb Dir	Speen Dir	Geb Mat	Speen Mat	Volwas- se Gew	Naspeen	GDT	VOV			SO
					Geb. dat.	Gew kg	Gew kg	Ind	kg	kg	kg	365dM	540d Ind	Ind	Ind	(mm)	(mm)	(mm)	GT / POLLED	


Koeie met Kalwers

29 C	FUZ BONSMARAS	FUZ 150102	FUZ 120061	NS365	103	100	97	81	108	102	104	101	91	103	102	-	BONFFUZ 190078	Dragtig van JFE 14-097
			FUZ 100092		0.72 80	13.1 74	-0.06 69	-1.5 68	19.0 59	23.4 59	112 48	-48 18	2.4 52	4 52	17 51	-	07.10.19 (32)	
					15.10.15	32										50.3	BONMLMR 130374	
29 D	FUZ BONSMARAS	FUZ 150052	FUZ 120145	NS365	105	115	120	88	117	111	114	109	111	115	114	-	BONMFUZ 190035	Dragtig van FUZ 17-051
			FUZ 110014		0.47 80	20.2 72	-1.11 67	0.5 62	28.0 53	29.2 57	160 47	-66 15	18.5 52	13 52	34 51	-	24.09.19 (35)	
					26.09.15	29										53.9	BONMAG 140505	
30 A	FUZ BONSMARAS	FUZ 150088	FUZ 120101	NS365	110	84	115	90	86	86	90	92	83	97	98	-	BONFFUZ 190136	Dragtig van PEK 16-001
			FUZ 060070		0.00 80	6.1 76	-0.88 66	1.0 70	-5.0 60	12.2 60	48 51	-28 21	-4.2 54	0 55	11 54	-	23.10.19 (41)	
					12.10.15	25										33.7	BONMMC 120238	
30 B	FUZ BONSMARAS	FUZ 150106	FUZ 120061	NS365	95	97	95	87	122	100	95	99	91	92	94	-	BONMFUZ 190089	Dragtig van AG 14-505
			FUZ 090038		1.60 80	11.8 74	0.04 68	0.2 64	34.0 53	21.7 57	73 46	-45 17	2.6 50	-5 51	4 49	-	13.10.19 (40)	
					15.10.15	33										53.1	BONMJFE 140097	
31 A	FUZ BONSMARAS	FUZ 150138	LPS 060117	NS365	93	112	75	89	112	116	117	106	105	110	110	-	BONMFUZ 190219	Dragtig van JFE 14-097
			FUZ 090089		1.78 80	18.5 74	0.95 69	0.8 62	23.0 52	33.0 64	171 56	-60 40	13.7 59	9 59	28 58	-	13.12.19 (44)	
					25.10.15	34										54.3	BONMLMR 130374	
31 B	FUZ BONSMARAS	FUZ 150092	FUZ 120061	NS365	105	96	88	92	90	94	106	101	96	104	105	-	BONFFUZ 190226	Dragtig van JFE 14-097
			FUZ 100130		0.49 80	11.4 73	0.35 67	1.7 62	-1.0 51	17.5 58	123 47	-49 20	6.2 50	5 50	20 49	-	08.12.19 (34)	
					14.10.15	33										39.9	BONMMC 120238	


Lot 29C Dragtig van JFE 14-097

<p>FUZ 150102 SPN Mat. 81 OEK 24 TKP 365 RI 122 Oud/Kalw. 4/3 Gem. Si/Kalf 96/2</p>	<p>FUZ 120061 SPN Mat. 90</p> 	<p>FUZ 090081 SPN Mat. 84</p> <p>FUZ 050040 OEK 35 SPN Mat. 94 TKP 372 Oud/Kalw. 8/6 Gem. Si/Kalf 100/6</p> <p>HJB 020223 SPN Mat. 94</p> <p>FUZ 030048 OEK 36 SPN Mat. 87 TKP 373 Oud/Kalw. 7/5 Gem. Si/Kalf 99/5</p>
	<p>FUZ 100092 SPN Mat. 84 Oud/Kalw. 9/7 Gem. Si/Kalf 99/7</p>	<p>AG 020263 SPN Mat. 70 FUZ 050030 SPN Mat. 107 EI 010200 SPN Mat. 106 FUZ 020108 SPN Mat. 84 GB 920056 SPN Mat. 112 HJB 990118 SPN Mat. 93 FUZ 930143 SPN Mat. 126 FUZ 990036 SPN Mat. 91</p>


Lot 29D Dragtig van FUZ 17-051

<p>FUZ 150052 SPN Mat. 88 OEK 25 TKP 354 RI 122 Oud/Kalw. 4/3 Gem. Si/Kalf 99/2</p>	<p>FUZ 120145 SPN Mat. 74</p> 	<p>CEW 080056 SPN Mat. 63</p> <p>FUZ 090028 OEK 29 SPN Mat. 100 TKP 375 Oud/Kalw. 8/6 Gem. Si/Kalf 105/6</p> <p>VV 080374 SPN Mat. 103</p> <p>FUZ 080068 OEK 35 SPN Mat. 112 TKP 374 Oud/Kalw. 8/6 Gem. Si/Kalf 101/6</p>
	<p>FUZ 110014 SPN Mat. 116 Oud/Kalw. 8/6 Gem. Si/Kalf 107/5</p>	<p>AG 040288 SPN Mat. 82 CEW 050073 SPN Mat. 56 FUZ 060111 SPN Mat. 89 FUZ 060116 SPN Mat. 104 VV 050036 SPN Mat. 91 VV 020096 SPN Mat. 100 EI 010200 SPN Mat. 106 FUZ 990038 SPN Mat. 106</p>


Lot 30A Dragtig van PEK 16-001

<p>FUZ 150088 SPN Mat. 90 OEK 24 TKP 366 RI 121 Oud/Kalw. 4/3 Gem. Si/Kalf 101/2</p>	<p>FUZ 120101 SPN Mat. 73</p>  <p>Elite-Goud</p>	<p>CEW 080056 SPN Mat. 63</p> <p>FUZ 080042 OEK 35 SPN Mat. 103 TKP 388 Oud/Kalw. 7/5 Gem. Si/Kalf 103/5</p> <p>EI 010200 SPN Mat. 106</p> <p>FUZ 020034 OEK 32 SPN Mat. 84 TKP 405 Oud/Kalw. 7/5 Gem. Si/Kalf 99/5</p>
	<p>FUZ 060070 SPN Mat. 105 Oud/Kalw. 13/11 Gem. Si/Kalf 103/10</p>	<p>AG 040288 SPN Mat. 82 CEW 050073 SPN Mat. 56 HJB 020223 SPN Mat. 94 FUZ 050106 SPN Mat. 98 EI 980080 SPN Mat. 88 EI 950117 SPN Mat. 110 RCO 980045 SPN Mat. 60 FUZ 990038 SPN Mat. 106</p>


Lot 30B Dragtig van AG 14-505

<p>FUZ 150106 SPN Mat. 87 OEK 24 TKP 366 RI 122 Oud/Kalw. 4/3 Gem. Si/Kalf 100/2</p>	<p>FUZ 120061 SPN Mat. 90</p> 	<p>FUZ 090081 SPN Mat. 84</p> <p>FUZ 050040 OEK 35 SPN Mat. 94 TKP 372 Oud/Kalw. 8/6 Gem. Si/Kalf 100/6</p> <p>FUZ 060111 SPN Mat. 89</p> <p>FUZ 060082 OEK 34 SPN Mat. 77 TKP 380 Oud/Kalw. 9/7 Gem. Si/Kalf 97/7</p>
	<p>FUZ 090038 SPN Mat. 84 Oud/Kalw. 9/7 Gem. Si/Kalf 98/7</p>	<p>AG 020263 SPN Mat. 70 FUZ 050030 SPN Mat. 107 EI 010200 SPN Mat. 106 FUZ 020108 SPN Mat. 84 BG 960117 SPN Mat. 85 FUZ 000106 SPN Mat. 97 RCO 980045 SPN Mat. 60 FUZ 030156 SPN Mat. 103</p>

Lot 31A Dragtig van JFE 14-097

<p>FUZ 150138 SPN Mat. 89 OEK 37 TKP 376 RI 95 Oud/Kalw. 4/2 Gem. Si/Kalf 103/1</p>	<p>LPS 060117 SPN Mat. 76 Goud</p> 	<p>PER 010038 SPN Mat. 61 Goud</p> <p>LPS 990032 OEK 36 SPN Mat. 90 TKP 371 Oud/Kalw. 14/12 Gem. Si/Kalf 105/12</p> <p>HJB 020223 SPN Mat. 94</p> <p>FUZ 040112 OEK 34 SPN Mat. 99 TKP 378 Oud/Kalw. 6/4 Gem. Si/Kalf 96/4</p>
	<p>FUZ 090089 SPN Mat. 102 Oud/Kalw. 10/8 Gem. Si/Kalf 103/6</p>	<p>HJL 940147 SPN Mat. 105 PER 970075 SPN Mat. 73 NFS 950060 SPN Mat. 82 LPS 910063 SPN Mat. 81 GB 920056 SPN Mat. 112 HJB 990118 SPN Mat. 93 EI 010200 SPN Mat. 106 FUZ 000036 SPN Mat. 113</p>

Lot 31B Dragtig van JFE 14-097

<p>FUZ 150092 SPN Mat. 92 OEK 24 TKP 394 RI 119 Oud/Kalw. 4/3 Gem. Si/Kalf 98/2</p>	<p>FUZ 120061 SPN Mat. 90</p> 	<p>FUZ 090081 SPN Mat. 84</p> <p>FUZ 050040 OEK 35 SPN Mat. 94 TKP 372 Oud/Kalw. 8/6 Gem. Si/Kalf 100/6</p> <p>HJB 020223 SPN Mat. 94</p> <p>FUZ 100130 OEK 33 SPN Mat. 104 TKP 396 Oud/Kalw. 6/4 RI 106 Gem. Si/Kalf 100/3</p> <p>FUZ 020100 OEK 34 SPN Mat. 118 TKP 403 Oud/Kalw. 9/7 Gem. Si/Kalf 110/6</p>
	<p>FUZ 100130 SPN Mat. 104 Oud/Kalw. 6/4 Gem. Si/Kalf 100/3</p>	<p>AG 020263 SPN Mat. 70 FUZ 050030 SPN Mat. 107 EI 010200 SPN Mat. 106 FUZ 020108 SPN Mat. 84 GB 920056 SPN Mat. 112 HJB 990118 SPN Mat. 93 BG 960117 SPN Mat. 85 FUZ 980024 SPN Mat. 114</p>

FEMALE ANIMALS


Lot	Seller	ID POLLED Gen	PARENTS		Test	Breeding Value Indexes											R:	MEASUREMENTS Height & Length	Calf ID	Calf AT FOOT	Breeder Own Remarks
			SIRE GV PV	DAM GV PV		Genomic Tested	Birth Dir	Wean Dir	Birth Mat	Wean Mat	Mat Wgt	Post Wean	ADG	FCR	SC	Hgt					
DNA		Acc	Acc	Acc	Acc	Acc	Acc	Acc	Acc	Acc	Acc	Acc	Acc	Acc	Acc	Acc	Acc	BWR	Sire		
Birth Date		Wgt kg	Wgt kg	Ind	kg	kg	kg	365dM	540dInd	Ind	Ind	Ind	(mm)	(mm)	(mm)	WWR	GT / POLLED				

Cows with Calves


32 A	FUZ BONSMARAS	FUZ 150172 SP	FUZ 120145	PW365	103	104	111	81	112	101	105	102	102	108	108	-	BONFFUZ 190236	Dragtig van PEK 16-001
					0.71	15.1	-0.68	-1.4	23.0	22.7	118	-50	10.9	8	25	-	05.12.19 (41)	
			FUZ 100074	12.11.15	30	77	57	52	44	57	45	20	49	49	48	-	BONMPEK 160001	
32 B	FUZ BONSMARAS	FUZ 150166 SP	CEW 080056	PW365	103	93	105	77	84	83	99	95	95	106	104	-	BONMFUZ 190213	Dragtig van AG 14-505
					0.67	10.1	-0.42	-2.4	-7.0	9.6	89	-36	5.2	6	19	-	23.12.19 (36)	
			FUZ 080008	06.11.15	36	80	69	63	53	64	55	22	57	58	57	-	BONMJFE 140097	
33 A	FUZ BONSMARAS	FUZ 160146 SP	FUZ 090081	PW365	104	83	78	93	103	88	102	100	97	101	99	-	BONMFUZ 190123	Dragtig van LMR 13-374
					0.58	5.4	0.81	1.9	12.0	13.4	106	-46	6.8	3	12	-	26.10.19 (34)	
			FUZ 110166	16.11.16	37	80	66	64	55	63	52	21	55	55	54	-	BONMABB 120321	
33 B	FUZ BONSMARAS	FUZ 160056 SP	FUZ 130069	PW365	97	99	129	99	109	96	101	102	111	103	102	-	BONMFUZ 190151	Dragtig van LMR 13-374
					1.32	12.8	-1.52	3.5	19.0	18.7	101	-51	17.9	4	16	-	05.11.19 (36)	
			FUZ 100138	16.10.16	37	78	61	52	41	56	47	15	52	52	51	-	BONMABB 120321	
33 C	FUZ BONSMARAS	FUZ 160086 SP	ABB 120321	PW365	118	90	100	89	98	89	93	99	100	106	98	-	BONFFUZ 190188	Dragtig van LMR 13-374
					-0.86	8.7	-0.20	0.8	7.0	13.8	61	-44	9.6	6	11	-	13.11.19 (27)	
			FUZ 100068	26.10.16	33	78	59	54	43	58	50	31	53	53	52	-	BONMPEK 160001	
34 A	FUZ BONSMARAS	FUZ 160022 SP	VV 080374	PW365	107	104	113	96	89	100	96	103	95	94	99	-	BONFFUZ 190150	Dragtig van LMR 13-374
					0.25	15.1	-0.80	2.7	-2.0	21.9	76	-52	5.6	-3	12	-	25.10.19 (26)	
			FUZ 130102	10.09.16	31	79	67	59	53	64	53	23	55	55	54	-	BONMABB 120321	

1.02	13.3	-0.19	3.8	10	21.6	95	-46	9.5	2	13
------	------	-------	-----	----	------	----	-----	-----	---	----


Lot 32A Dragtig van PEK 16-001

<p>FUZ 150172 SPN Mat. 81 AFC 37 ICP 362 RI 97 Age/Calv. 4/2 Avg. WI/Calf 107/1</p>	<p>FUZ 120145 SPN Mat. 74</p> 	<p>FUZ 100074 SPN Mat. 92 Age/Calv. 5/3 Avg. WI/Calf 100/3</p>	<p>CEW 080056 SPN Mat. 63</p>	<p>AG 040288 SPN Mat. 82 CEW 050073 SPN Mat. 56 FUZ 060111 SPN Mat. 89 FUZ 060116 SPN Mat. 104 EI 980080 SPN Mat. 88 EI 950117 SPN Mat. 110 RCO 980045 SPN Mat. 60 FUZ 010006 SPN Mat. 105</p>
			<p>FUZ 090028 AFC 29 SPN Mat. 100 ICP 375 Age/Calv. 8/6 Avg. WI/Calf 105/6 EI 010200 SPN Mat. 106</p>	<p>FUZ 040014 SPN Mat. 90 Age/Calv. 12/10 Avg. WI/Calf 104/10</p>


Lot 32B Dragtig van AG 14-505

<p>FUZ 150166 SPN Mat. 77 AFC 36 ICP 402 RI 95 Age/Calv. 4/2 Avg. WI/Calf 94/1</p>	<p>CEW 080056 SPN Mat. 63</p> 	<p>FUZ 080008 SPN Mat. 98 Age/Calv. 11/9 Avg. WI/Calf 99/8</p>	<p>AG 040288 SPN Mat. 82</p>	<p>AG 990104 SPN Mat. 63 AG 960026 SPN Mat. 111 HP 010161 SPN Mat. 65 NFS 900270 P SPN Mat. 84 GB 920056 SPN Mat. 112 HJB 990118 SPN Mat. 93 AG 940196 SPN Mat. 87 FUZ 930054 SPN Mat. 118</p>
			<p>CEW 050073 AFC 31 SPN Mat. 56 ICP 430 Age/Calv. 12/9 Avg. WI/Calf 96/9</p>	<p>HJB 020223 SPN Mat. 94</p>


Lot 33A Dragtig van LMR 13-374

<p>FUZ 160146 SPN Mat. 93 AFC 23 ICP 386 RI 125 Age/Calv. 3/2 Avg. WI/Calf 93/1</p>	<p>FUZ 090081 SPN Mat. 84</p> 	<p>FUZ 110166 SPN Mat. 107 Age/Calv. 8/6 Avg. WI/Calf 105/4</p>	<p>AG 020263 SPN Mat. 70</p>	<p>AG 980338 SPN Mat. 87 AG N 0045 SPN Mat. 105 AG 940196 SPN Mat. 87 FUZ 980032 SPN Mat. 108 AG 040288 SPN Mat. 82 CEW 050073 SPN Mat. 56 FUZ 930143 SPN Mat. 126 FUZ 920176 SPN Mat. 98</p>
			<p>FUZ 050030 AFC 36 SPN Mat. 107 ICP 368 Age/Calv. 11/9 Avg. WI/Calf 100/9</p>	<p>CEW 080056 SPN Mat. 63</p>


Lot 33B Dragtig van LMR 13-374

<p>FUZ 160056 SPN Mat. 99 AFC 24 ICP 396 RI 123 Age/Calv. 3/2 Avg. WI/Calf 97/1</p>	<p>FUZ 130069 SPN Mat. 100</p> 	<p>FUZ 100138 SPN Mat. 100 Age/Calv. 7/5 Avg. WI/Calf 99/5</p>	<p>AJ 080015 SPN Mat. 102</p>	<p>PHR 040180 SPN Mat. 74 AJJ 970019 SPN Mat. 122 AG 020263 SPN Mat. 70 FUZ 050054 SPN Mat. 123 BFB 000032 SPN Mat. 106 JH 940027 SPN Mat. 124 RCO 980045 SPN Mat. 60 FUZ 020076 SPN Mat. 122</p>
			<p>FUZ 090078 AFC 35 SPN Mat. 97 ICP 385 Age/Calv. 6/4 Avg. WI/Calf 103/4</p>	<p>DDJ 040034 SPN Mat. 131</p>

Lot 33C Dragtig van LMR 13-374

<p>FUZ 160086 SPN Mat. 89 AFC 25 ICP 361 RI 123 Age/Calv. 3/2 Avg. WI/Calf 101/1</p>	<p>ABB 120321 SPN Mat. 107</p> 	<p>FUZ 100068 SPN Mat. 77 Age/Calv. 9/7 Avg. WI/Calf 95/6</p>	<p>JPL 040065 SPN Mat. 118</p>	<p>VOG 010001 SPN Mat. 113 VOG 020001 SPN Mat. 97 WVZ 980025 SPN Mat. 102 JJC 960092 SPN Mat. 103 AG 980338 SPN Mat. 87 AG N 0045 SPN Mat. 105 BG 960117 SPN Mat. 85 FUZ 980134 SPN Mat. 101</p>
			<p>JJC 050042 AFC 36 SPN Mat. 111 ICP 423 Age/Calv. 10/7 Avg. WI/Calf 111/8</p>	<p>AG 020263 SPN Mat. 70</p>

Lot 34A Dragtig van LMR 13-374

<p>FUZ 160022 SPN Mat. 96 AFC 24 ICP 404 RI 121 Age/Calv. 3/2 Avg. WI/Calf 115/1</p>	<p>VV 080374 SPN Mat. 103</p> 	<p>FUZ 130102 SPN Mat. 91 Age/Calv. 6/4 Avg. WI/Calf 96/3</p>	<p>VV 050036 SPN Mat. 91</p>	<p>VV 020392 SPN Mat. 104 VV 020416 SPN Mat. 107 VV 990017 SPN Mat. 92 BG 950120 SPN Mat. 104 AG 980338 SPN Mat. 87 AG N 0045 SPN Mat. 105 DDJ 040034 SPN Mat. 131 FUZ 050104 SPN Mat. 86</p>
			<p>VV 020096 AFC 28 SPN Mat. 100 ICP 370 Age/Calv. 14/13 Avg. WI/Calf 101/13</p>	<p>AG 020263 SPN Mat. 70</p>



VROULIKE DIERE

Lot	Verkoper	ID	OUERS	Toets	Teelwaarde indekse											Kalf ID	Gebruiker Eie Opmerkings	
					DIREKTE KALF EIENSKAPPE		DOGTER EIENSKAPPE			GROEI		DOEL	REP	MATES				V:
		VADER GV OV		Genomies Getoets	Geb Dir	Speen Dir	Geb Mat	Speen Mat	Volwas- se Gewig	Naspeen- gewig	GDT	VOV	SO	Hgt	Lgt	LHV	Geboorte dat (Gewig)	
		MOEDER GV OV		DNS	Akk	Akk	Akk	Akk	Akk	Akk	Akk	Akk	Akk	Akk	Akk	GGV	Vaar	
		Gen		Geb. dat.	Gew kg	Gew kg	Ind	kg	kg	kg	365dM	540d Ind	Ind	Ind	(mm)	(mm)	(mm)	GT / POLLED



Koeie met Kalwers

34 B	FUZ BONSMARAS	FUZ 160032	VV 080374	NS365	98	108	99	91	90	104	96	101	95	95	99	-	BONMFUZ 190143	Dragtig van PEK 16-001
					1.23	16.9	-0.12	1.3	-1.0	24.7	75	-49	5.2	-3	13	-	BONMFUZ 190143	
			FUZ 130158	16.09.16	38													
34 C	FUZ BONSMARAS	FUZ 160054	ABB 120321	NS365	112	106	86	103	110	104	104	105	106	112	106	-	BONFFUZ 190180	Dragtig van FUZ 17-051
					-0.20	16.1	0.44	4.8	20.0	24.5	114	-57	14.4	11	21	-	BONFFUZ 190180	
			FUZ 120046	15.10.16	27													
35	FUZ BONSMARAS	FUZ 160036	LPS 060117	NS365	89	121	110	106	136	122	132	116	116	123	119	-	BONFFUZ 190026	Dragtig van FUZ 17-051
					2.18	22.6	-0.65	5.5	48.0	37.3	240	-82	22.1	20	40	-	BONFFUZ 190026	
			FUZ 040064	24.09.16	34													
36 A	FUZ BONSMARAS	FUZ 160108	FUZ 090081	NS365	96	96	105	113	107	97	112	106	105	110	109	-	BONMFUZ 190161	Dragtig van LMR 13-374
					1.43	11.6	-0.40	7.5	17.0	19.7	148	-59	13.3	10	27	-	BONMFUZ 190161	
			FUZ 080026	03.11.16	38													
36 B	FUZ BONSMARAS	FUZ 160014	VV 080374	NS365	95	117	97	99	101	110	102	106	100	99	103	-	BONFFUZ 190128	Dragtig van AG 14-505
					1.59	20.9	-0.04	3.4	11.0	28.7	104	-59	9.6	1	18	-	BONFFUZ 190128	
			FUZ 130142	05.09.16	36													
36 C	FUZ BONSMARAS	FUZ 160028	VV 080374	NS365	84	126	90	104	117	118	105	106	105	105	111	-	BONFFUZ 190176	Dragtig van AG 14-505
					2.73	24.9	0.26	4.9	28.0	34.2	119	-59	13.2	6	29	-	BONFFUZ 190176	
			FUZ 130090	13.09.16	38													


Lot 34B Dragtig van PEK 16-001

<p>FUZ 160032 SPN Mat. 91 OEK 24 TKP 405 RI 121 Oud/Kalw. 3/2 Gem. SI/Kalf 102/1</p>	<p>VV 080374 SPN Mat. 103</p> 	<p>VV 050036 SPN Mat. 91</p> 	<p>VV 020096 OEK 28 SPN Mat. 100 TKP 370 Oud/Kalw. 14/13 Gem. SI/Kalf 101/13</p>	<p>VV 020392 SPN Mat. 104 VV 020416 SPN Mat. 107 VV 990017 SPN Mat. 92 BG 950120 SPN Mat. 104 AG 980338 SPN Mat. 87 AG N 0045 SPN Mat. 105 AG 940196 SPN Mat. 87 FUZ 930054 SPN Mat. 118</p>



Lot 34C Dragtig van FUZ 17-051

<p>FUZ 160054 SPN Mat. 103 OEK 37 TKP RI 88 Oud/Kalw. 3/1 Gem. SI/Kalf /0</p>	<p>ABB 120321 SPN Mat. 107</p> 	<p>JPL 040065 SPN Mat. 118</p> 	<p>JJC 050042 OEK 36 SPN Mat. 111 TKP 423 Oud/Kalw. 10/7 Gem. SI/Kalf 111/8</p>	<p>VOG 010001 SPN Mat. 113 VOG 020001 SPN Mat. 97 VWZ 980025 SPN Mat. 102 JJC 960092 SPN Mat. 103 AG 020251 SPN Mat. 120 AG 990287 SPN Mat. 86 FUZ 060111 SPN Mat. 89 FUZ 060082 SPN Mat. 77</p>



Lot 35 Dragtig van FUZ 17-051

<p>FUZ 160036 SPN Mat. 106 OEK 24 TKP 347 RI 124 Oud/Kalw. 3/2 Gem. SI/Kalf 122/1</p>	<p>LPS 060117 SPN Mat. 76 Goud</p> 	<p>PER 010038 SPN Mat. 61 Goud</p>	<p>LPS 990032 OEK 36 SPN Mat. 90 TKP 371 Oud/Kalw. 14/12 Gem. SI/Kalf 105/12</p>	<p>HJL 940147 SPN Mat. 105 PER 970075 SPN Mat. 73 NFS 950060 SPN Mat. 82 LPS 910063 SPN Mat. 81 RCO 950179 SPN Mat. 123 DV 970028 SPN Mat. 88 AG 940196 SPN Mat. 87 LDW 900160 SPN Mat. 92</p>



Lot 36A Dragtig van LMR 13-374

<p>FUZ 160108 SPN Mat. 113 OEK 36 TKP RI 90 Oud/Kalw. 3/1 Gem. SI/Kalf /0</p>	<p>FUZ 090081 SPN Mat. 84</p> 	<p>AG 020263 SPN Mat. 70</p> 	<p>FUZ 050030 OEK 36 SPN Mat. 107 TKP 368 Oud/Kalw. 11/9 Gem. SI/Kalf 100/9</p>	<p>AG 980338 SPN Mat. 87 AG N 0045 SPN Mat. 105 AG 940196 SPN Mat. 87 FUZ 980032 SPN Mat. 108 EI 980080 SPN Mat. 88 EI 950117 SPN Mat. 110 FUZ 930143 SPN Mat. 126 FUZ 970122 SPN Mat. 111</p>

Lot 36B Dragtig van AG 14-505

<p>FUZ 160014 SPN Mat. 99 OEK 24 TKP 404 RI 121 Oud/Kalw. 3/2 Gem. SI/Kalf 107/1</p>	<p>VV 080374 SPN Mat. 103</p> 	<p>VV 050036 SPN Mat. 91</p> 	<p>VV 020096 OEK 28 SPN Mat. 100 TKP 370 Oud/Kalw. 14/13 Gem. SI/Kalf 101/13</p>	<p>VV 020392 SPN Mat. 104 VV 020416 SPN Mat. 107 VV 990017 SPN Mat. 92 BG 950120 SPN Mat. 104 AG 980338 SPN Mat. 87 AG N 0045 SPN Mat. 105 HJB 030038 SPN Mat. 94 FUZ 030014 SPN Mat. 77</p>

Lot 36C Dragtig van AG 14-505

<p>FUZ 160028 SPN Mat. 104 OEK 38 TKP RI 85 Oud/Kalw. 3/1 Gem. SI/Kalf /0</p>	<p>VV 080374 SPN Mat. 103</p> 	<p>VV 050036 SPN Mat. 91</p> 	<p>VV 020096 OEK 28 SPN Mat. 100 TKP 370 Oud/Kalw. 14/13 Gem. SI/Kalf 101/13</p>	<p>VV 020392 SPN Mat. 104 VV 020416 SPN Mat. 107 VV 990017 SPN Mat. 92 BG 950120 SPN Mat. 104 AG 980338 SPN Mat. 87 AG N 0045 SPN Mat. 105 HJB 020223 SPN Mat. 94 FUZ 930006 SPN Mat. 110</p>

FEMALE ANIMALS

Lot	Seller	ID	PARENTS	Test	Breeding Value Indexes											R:	CALF AT FOOT	Calf ID	Breeder Own Remarks
					DIRECT CALF TRAITS		DAUGHTER TRAITS			GROWTH		EFF.	REP	MEASURE-MENTS					
		Gen	SIRE GV PV	DAM GV PV	Genomic Tested	Birth Dir	Wean Dir	Birth Mat	Wean Mat	Mat Wgt	Post Wean	ADG	FCR	SC	Hgt	Lgt	LHR	Birth Date (Weight)	
					DNA	Acc	Acc	Acc	Acc	Acc	Acc	Acc	Acc	Acc	Acc	Acc	BWR	Sire	
					Birth Date	Wgt kg	Wgt kg Ind	kg	kg	kg	365dM Ind	540d Ind	Ind	Ind	(mm)	(mm)	(mm)	WWR	GT / POLLED


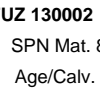
Cows with Calves

37	FUZ BONSMARAS	FUZ 160064 SP	ABB 120321	PW365	100	102	107	89	109	101	96	101	96	110	100	-	BONMFUZ 190077	Dragtig van LMR 13-374
			FUZ 130002		1.05 77	14.0 73	-0.52 57	0.7 61	20.0 52	22.2 58	76 50	-50 31	6.4 53	10 54	14 53	-	BONMPEK 160001	
				21.10.16	34											46.4		
38 A	FUZ BONSMARAS	FUZ 160048 SP	FUZ 090081	PW365	86	108	97	94	105	112	112	107	101	103	105	-	BONFFUZ 190216	Dragtig van LMR 13-374
			FUZ 060070		2.47 80	16.7 75	-0.06 67	2.1 60	15.0 50	29.9 64	149 55	-61 26	10.2 58	4 58	20 58	-	BONMABB 120321	
				11.10.16	38											42.3		
38 B	FUZ BONSMARAS	FUZ 160030 SP	VV 080374	PW365	125	100	109	101	99	98	97	99	103	95	102	-	BONFFUZ 190194	Dragtig van JFE 14-097
			FUZ 130046		-1.66 78	13.2 73	-0.62 65	4.0 64	9.0 57	20.2 63	79 52	-44 19	11.6 54	-2 54	16 54	-	BONMABB 120321	
				15.09.16	27											43.6		
38 C	FUZ BONSMARAS	FUZ 160062 SP	LPS 060117	PW365	82	113	104	104	126	116	116	109	111	110	110	-	BONFFUZ 200242	Dragtig van PEK 16-001
			FUZ 100082		2.95 79	19.3 75	-0.36 65	4.8 68	38.0 60	32.8 64	168 56	-65 41	18.0 58	10 58	28 57	-	BONMPEK 160001	
				19.10.16	39											46.5		
39 A	FUZ BONSMARAS	FUZ 160116 SP	FUZ 130051	PW365	111	102	113	104	94	98	96	98	102	95	100	-	BONFFUZ 190228	Dragtig van FUZ 17-051
			FUZ 130012		-0.10 76	14.0 71	-0.77 55	5.0 58	3.0 51	20.6 56	75 45	-42 19	10.9 49	-3 49	13 48	-	BONMABB 120321	
				06.11.16	34											45.2		
39 B	FUZ BONSMARAS	FUZ 160118 SP	AEJ 130027	PW365	113	104	90	108	108	107	108	103	106	106	109	-	BONFFUZ 190230	Dragtig van FUZ 17-051
			FUZ 110042		-0.31 77	14.9 71	0.28 57	6.0 54	18.0 44	26.4 56	131 48	-52 19	14.1 52	7 53	26 51	-	BONMPEK 160001	
				07.11.16	33											38		


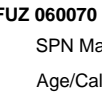
Breed Average

1.02	13.3	-0.19	3.8	10	21.6	95	-46	9.5	2	13
------	------	-------	-----	----	------	----	-----	-----	---	----


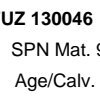
Lot 37 Dragtig van LMR 13-374

<p>FUZ 160064 SPN Mat. 89 AFC 24 ICP 356 RI 125 Age/Calv. 3/2 Avg. WI/Calf 90/1</p>	<p>ABB 120321 SPN Mat. 107</p> 	<p>JPL 040065 SPN Mat. 118</p>	<p>VOG 010001 SPN Mat. 113 VOG 020001 SPN Mat. 97 WVZ 980025 SPN Mat. 102 JJC 960092 SPN Mat. 103 AG 980338 SPN Mat. 87 AG N 0045 SPN Mat. 105 DV 990310 SPN Mat. 116 FUZ 010016 SPN Mat. 79</p>
<p>FUZ 130002 SPN Mat. 85 Age/Calv. 4/2 Avg. WI/Calf 101/2</p>		<p>AG 020263 SPN Mat. 70</p>	<p>SPN Mat. 87 AG N 0045 SPN Mat. 105 DV 990310 SPN Mat. 116 FUZ 010016 SPN Mat. 79</p>


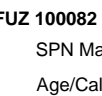
Lot 38A Dragtig van LMR 13-374

<p>FUZ 160048 SPN Mat. 94 AFC 24 ICP 417 RI 120 Age/Calv. 3/2 Avg. WI/Calf 104/1</p>	<p>FUZ 090081 SPN Mat. 84</p> 	<p>AG 020263 SPN Mat. 70</p>	<p>AG 980338 SPN Mat. 87 AG N 0045 SPN Mat. 105 AG 940196 SPN Mat. 87 FUZ 980032 SPN Mat. 108 EI 980080 SPN Mat. 88 EI 950117 SPN Mat. 110 RCO 980045 SPN Mat. 60 FUZ 990038 SPN Mat. 106</p>
<p>FUZ 060070 SPN Mat. 105 Age/Calv. 13/11 Avg. WI/Calf 103/10</p>		<p>FUZ 050030 SPN Mat. 106</p>	<p>SPN Mat. 87 FUZ 980032 SPN Mat. 108 EI 980080 SPN Mat. 88 EI 950117 SPN Mat. 110 RCO 980045 SPN Mat. 60 FUZ 990038 SPN Mat. 106</p>


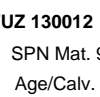
Lot 38B Dragtig van JFE 14-097

<p>FUZ 160030 SPN Mat. 101 AFC 24 ICP 413 RI 120 Age/Calv. 3/2 Avg. WI/Calf 103/1</p>	<p>VV 080374 SPN Mat. 103</p> 	<p>VV 050036 SPN Mat. 91</p>	<p>VV 020392 SPN Mat. 104 VV 020416 SPN Mat. 107 VV 990017 SPN Mat. 92 BG 950120 SPN Mat. 104 PHR 040180 SPN Mat. 74 AJJ 970019 SPN Mat. 122 HJB 020223 SPN Mat. 94 FUZ 000076 SPN Mat. 122</p>
<p>FUZ 130046 SPN Mat. 97 Age/Calv. 3/1 Avg. WI/Calf 92/1</p>		<p>AJ 080015 SPN Mat. 102</p>	<p>SPN Mat. 122 HJB 020223 SPN Mat. 94 FUZ 000076 SPN Mat. 122</p>


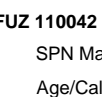
Lot 38C Dragtig van PEK 16-001

<p>FUZ 160062 SPN Mat. 104 AFC 25 ICP 406 RI 118 Age/Calv. 3/2 Avg. WI/Calf 104/1</p>	<p>LPS 060117 SPN Mat. 76 Gold</p> 	<p>PER 010038 SPN Mat. 61 Gold</p>	<p>HJL 940147 SPN Mat. 105 PER 970075 SPN Mat. 73 NFS 950060 SPN Mat. 82 LPS 910063 SPN Mat. 81 EI 980080 SPN Mat. 88 EI 950117 SPN Mat. 110 RCO 980045 SPN Mat. 60 FUZ 030052 SPN Mat. 106</p>
<p>FUZ 100082 SPN Mat. 128 Age/Calv. 9/7 Avg. WI/Calf 110/6</p>		<p>LPS 990032 SPN Mat. 106</p>	<p>SPN Mat. 81 EI 980080 SPN Mat. 88 EI 950117 SPN Mat. 110 RCO 980045 SPN Mat. 60 FUZ 030052 SPN Mat. 106</p>

Lot 39A Dragtig van FUZ 17-051

<p>FUZ 160116 SPN Mat. 104 AFC 25 ICP 392 RI 121 Age/Calv. 3/2 Avg. WI/Calf 119/1</p>	<p>FUZ 130051 SPN Mat. 91</p> 	<p>HJB 020223 SPN Mat. 94</p>	<p>GB 920056 SPN Mat. 112 HJB 990118 SPN Mat. 93 AG 020263 SPN Mat. 70 FUZ 050108 SPN Mat. 103 VV 050036 SPN Mat. 91 VV 020096 SPN Mat. 100 EI 010200 SPN Mat. 106 FUZ 010116 SPN Mat. 66</p>
<p>FUZ 130012 SPN Mat. 93 Age/Calv. 6/4 Avg. WI/Calf 107/3</p>		<p>FUZ 100128 SPN Mat. 103</p>	<p>SPN Mat. 103 VV 050036 SPN Mat. 91 VV 020096 SPN Mat. 100 EI 010200 SPN Mat. 106 FUZ 010116 SPN Mat. 66</p>

Lot 39B Dragtig van FUZ 17-051

<p>FUZ 160118 SPN Mat. 108 AFC 24 ICP 421 RI 121 Age/Calv. 3/2 Avg. WI/Calf 108/1</p>	<p>AEJ 130027 SPN Mat. 118</p> 	<p>AEJ 090007 SPN Mat. 104</p>	<p>AG 020251 SPN Mat. 120 AEJ 050149 SPN Mat. 103 AEJ 050212 SPN Mat. 109 AEJ 000041 SPN Mat. 145 VV 050036 SPN Mat. 91 VV 020096 SPN Mat. 100 FUZ 060111 SPN Mat. 89 FUZ 060116 SPN Mat. 104</p>
<p>FUZ 110042 SPN Mat. 100 Age/Calv. 8/6 Avg. WI/Calf 105/6</p>		<p>AEJ 100208 SPN Mat. 103</p>	<p>SPN Mat. 109 AEJ 000041 SPN Mat. 145 VV 050036 SPN Mat. 91 VV 020096 SPN Mat. 100 FUZ 060111 SPN Mat. 89 FUZ 060116 SPN Mat. 104</p>