

EXPLANATION OF ABBREVIATIONS IN CATALOGUE
VERDUIDELIKING VAN AFKORTINGS IN KATALOGUS

	DIRECT CALF TRAITS	DIREKTE KALF EIENSKAPPE	Kalf eienskappe
Calf traits	DIRECT CALF TRAITS	DIREKTE KALF EIENSKAPPE	Kalf eienskappe
Daughter traits	DAUGHTER TRAITS	DOGTER EIENSKAPPE	Dogter eienskappe
Growth traits	GROWTH	GROEI	Groei eienskappe
Efficiency traits	EFF	DOEL	Doeltreffendheids eienskappe
Reproduction traits	REPRODUCTION	REPRODUKSIE	Reproduksie eienskappe
Body measurements	MEASURE	MATES	Liggaamsmates
Lot number	Lot	Lot	Lotnommer
Ratio	R:	V:	Verhouding
Identification number	ID	ID	Identifikasienommer
Generation/Section of Herdbook	Gen	Gen	Generasie/Afdeling van kuddeboek
Weight in kilogram	Wgt kg	Gew kg	Gewig in kilogram
Index	Ind	Ind	Indeks
Accuracy of breeding value	Acc	Akk	Akkuraatheid van teelwaarde
Birth direct (kg)	Birth Dir	Geb Dir	Geboorte direk (kg)
Birth maternal (kg)	Birth Mat	Geb Mat	Geboorte maternaal (kg)
Wean direct (kg)	Wean Dir	Speen Dir	Speen direk (kg)
Wean maternal (kg)	Wean Mat	Speen Mat	Speen maternaal (kg)
Mature weight (kg)	Mature Wgt	Volw Gew	Volwasse gewig (kg)
365 Days (kg)	365d	365d	365 Dae (kg)
540 Days (kg)	540d	540d	540 Dae (kg)
Average daily gain (g/day)	ADG	GDT	Gemiddelde daaglikse toename (g/dag)
Feed conversion ratio	FCR	VOV	Voeromsetverhouding
Scrotal circumference (mm)	SC	SO	Skrotum omvang (mm)
Age First Calving	AFC	OEK	Ouderdom Eerste Kalwing
Inter Calving Period	ICP	TKP	Tussen Kalf Periode
Height (mm)	Hgt	Hgt	Hoogte (mm)
Length (mm)	Lgt	Lgt	Lengte (mm)
Length : Height ratio	LHR	HLV	Lengte : Hoogte verhouding
Birth weight : Cow weight ratio	BWR	GGV	Geboortegewig : Koeigewig verhouding
Wean weight : Cow weight ratio	WWR	SGV	Speengewig : Koeigewig verhouding
Age in years and months / Number of calvings	Age / Calv	Oud / Kalw	Ouderdom in jare en maande / Aantal kalwings
Average Wean index / Number of calves	Ave WI / Calf	Gem SI / Kalf	Gemiddelde Speenindeks / Aantal kalwers
Reproduction index	R.I.	R.I.	Reproduksie Indeks
Polled	Polled	Poena	Poena
Post Wean 365 days & Post Wean 540 days	PW365 & PW540	NS365 & NS540	Naspeen 365 dae & Naspeen 540 dae
Growth test & Growth test group	GT & GTg	GT & GTg	Groei Toets & Groeitoets groep
Central test	CT	ST	Sentrale toets
Ouerskap Verifikasie	OV	PV	Parentage Verification
Genomies Getoets	GT	GT	Genomically Tested
Homosigoties Poena (Celtic Toets)	PP(c)	PP(c)	Homozygous Polled (Celtic Test)
Heterosigoties Poena (Celtic Toets)	Pp(c)	Pp(c)	Heterozygous Polled (Celtic Test)
Beide Ouers Geverifieer	PV	PV	Both Parents Verified
Sire Geverifieer	SV	SV	Sire Verified
Dam Geverifieer	DV	DV	Dam Verified


Lot	Seller	ID POLLED Gen	PARENTS		Test Genomic Tested DNA Birth Date	Breeding Value Indexes										LHR BWR WWR	Semen Users	Breeder Own Remarks				
			SIRE GV PV	DAM GV PV		Birth Dir		Wean Dir		Birth Mat	Wean Mat	Mat Wgt	Post Wean		ADG				FCR	SC	Hgt	Lgt
			Acc	Acc		Wgt kg	Wgt kg	Ind	kg	kg	kg	365d Ind	540d Ind	Ind	Ind				(mm)	(mm)	(mm)	

BULLS


1	DE VILLIERS AG & SEUN	AG 160952 SP	ADV 070154 <input checked="" type="checkbox"/>	PW540	99	103	104	101	89	105	107	104	97	94	103	-	Huidige Skrotumomvang 370mm
			AG 110287 <input checked="" type="checkbox"/>	DNA	1.13 89	14.9 74	-0.39 59	4.2 61	-3.0 47	25.4 70	130 50	-54 29	7.6 52	-3 52	19 51	6.1	
				18.12.16	36	210	102				94	112	-	-	-	-	
2	DE VILLIERS AG & SEUN	AG 140299 SP	AG 110038 <input checked="" type="checkbox"/>	PW540	89	113	116	94	119	106	107	101	113	91	111	-	Huidige Skrotumomvang 400mm
			AG 080724 <input checked="" type="checkbox"/>	DNA	2.15 94	19.4 81	-0.94 55	2.2 58	30.0 42	26.2 72	128 50	-49 22	19.6 53	-5 53	29 53	7.22	
				06.10.14	39	318	99				110	110	-	-	-	-	
3	DE VILLIERS AG & SEUN	AG 160655 SP	GJN 130286 <input checked="" type="checkbox"/>	PW540	88	112	115	102	88	106	93	93	103	103	105	-	Huidige Skrotumomvang 410mm
			AG 110622 <input checked="" type="checkbox"/>	DNA	2.32 76	18.9 71	-0.86 50	4.3 53	-3.0 38	25.5 64	65 41	-31 26	12.1 45	4 46	21 44	-	
				14.11.16	40	198	108				105	109	-	-	-	-	
4	DE VILLIERS AG & SEUN	AG 130456 SP	AG 080204 <input checked="" type="checkbox"/>	PW540	119	84	100	99	83	85	89	105	88	83	86	-	Huidige Skrotumomvang 390mm
			AG 040418 <input checked="" type="checkbox"/>	DNA	-0.98 90	6.0 85	-0.19 68	3.6 65	-9.0 56	10.9 80	45 57	-57 38	-0.2 59	-13 60	-6 59	7.56	
				02.11.13	34	235	106				99	103	-	-	-	-	
5	DE VILLIERS AG & SEUN	AG 160548 SP	AG 130315 <input checked="" type="checkbox"/>	PW540	68	120	85	102	102	119	105	101	107	95	105	-	Huidige Skrotumomvang 430mm
			AG 130583 <input checked="" type="checkbox"/>	DNA	4.44 75	22.1 70	0.51 48	4.3 49	12.0 32	35.0 65	117 35	-49 18	15.2 37	-3 37	21 36	-	
				10.10.16	40	232	112				119	117	-	-	-	-	
6	DE VILLIERS AG & SEUN	AG 140092 SP	AG 080210 <input checked="" type="checkbox"/>	PW540	89	112	114	108	86	104	107	107	124	97	99	-	Huidige Skrotumomvang 400mm
			AG 090124 <input checked="" type="checkbox"/>	DNA	2.16 97	18.8 94	-0.85 67	6.1 75	-5.0 48	24.4 84	130 80	-60 39	28.8 86	-1 86	12 85	6.43	
				22.02.14	36	209	105				105	101	-	-	-	-	

1.03	13.3	-0.20	3.8	10	21.7	96	-46	9.6	2	14
------	------	-------	-----	----	------	----	-----	-----	---	----


Lot 1 Huidige Skrotumomvang 370mm

<p>AG 160952 SPN Mat. 101</p> 	<p>ADV 070154 SPN Mat. 109</p>	<p>AFC 23 SPN Mat. 95 ICP 373 Age/Calv. 8/7 RI 118 Avg. WI/Calf 103/6</p>	<p>LAR 030398 SPN Mat. 71</p>	<p>LAR 010297 SPN Mat. 71 LAR 990031 SPN Mat. 86 AG 980338 SPN Mat. 87 AG 990103 SPN Mat. 105 VV 060054 SPN Mat. 103 VV 040282 SPN Mat. 101 CEF 040431 SPN Mat. 90 HJB 030229 SPN Mat. 91</p>	
					<p>ADV 030008 AFC 31 SPN Mat. 126 ICP 377 Age/Calv. 16/13 Avg. WI/Calf 107/11</p>
					<p>VV 080492 SPN Mat. 89</p>
					<p>AG 090398 AFC 24 SPN Mat. 100 ICP 548 Age/Calv. 5/3 Avg. WI/Calf 102/3</p>


Lot 2 Huidige Skrotumomvang 400mm

<p>AG 140299 SPN Mat. 94</p> 	<p>AG 110038 SPN Mat. 89</p>	<p>AFC 24 SPN Mat. 102 ICP 440 Age/Calv. 9/7 RI 107 Avg. WI/Calf 104/5</p>	<p>AG 060027 SPN Mat. 92</p>	<p>LAR 010176 SPN Mat. 84 AG 020147 SPN Mat. 123 FCT 030110 SPN Mat. 84 AG 040176 SPN Mat. 92 WAT 000200 SPN Mat. 113 WAT 980109 SPN Mat. 114 AG 980200 SPN Mat. 100 AG 980133 SPN Mat. 90</p>	
					<p>AG 060106 AFC 26 SPN Mat. 95 ICP 421 Age/Calv. 10/8 Avg. WI/Calf 104/7</p>
					<p>WAT 030085 SPN Mat. 101</p>
					<p>AG 030216 AFC 25 SPN Mat. 104 ICP 373 Age/Calv. 13/12 Avg. WI/Calf 106/12</p>


Lot 3 Huidige Skrotumomvang 410mm

<p>AG 160655 SPN Mat. 102</p> 	<p>GJN 130286 SPN Mat. 105</p>	<p>AFC 35 SPN Mat. 97 ICP 370 Age/Calv. 8/6 RI 108 Avg. WI/Calf 105/5</p>	<p>AG 100384 SPN Mat. 81</p>	<p>AG 070458 SPN Mat. 85 AG 030216 SPN Mat. 104 GJN 040173 SPN Mat. 101 GJN 990022 SPN Mat. 102 LAR 010176 SPN Mat. 84 AG 970157 SPN Mat. 105</p>	
					<p>Elite-Gold GJN 070018 AFC 24 SPN Mat. 107 ICP 369 Age/Calv. 12/11 Avg. WI/Calf 104/9</p>
					<p>AG 060481 SPN Mat. 90</p>
					<p>AG 990523 AFC * SPN Mat. 90 ICP 365 Age/Calv. */8 Avg. WI/Calf 99/8</p>


Lot 4 Huidige Skrotumomvang 390mm

<p>AG 130456 SPN Mat. 99</p> 	<p>AG 080204 SPN Mat. 116</p>	<p>AFC 22 SPN Mat. 87 ICP 372 Age/Calv. 14/13 RI 118 Avg. WI/Calf 100/13</p>	<p>AG 020251 SPN Mat. 120 Gold</p>	<p>AG 980338 SPN Mat. 87 AG 950206 SPN Mat. 127 AG 970264 SPN Mat. 62 AG 990135 SPN Mat. 118 AG 980338 SPN Mat. 87 AG 950206 SPN Mat. 127 AG H 0001 SPN Mat. 104 AG 920207 SPN Mat. 100</p>	
					<p>AG 010239 AFC 36 SPN Mat. 90 ICP 408 Age/Calv. 14/11 Avg. WI/Calf 96/10</p>
					<p>AG 020251 SPN Mat. 120 Gold</p>
					<p>AG 950095 AFC 30 SPN Mat. 85 ICP 366 Age/Calv. 11/9 Avg. WI/Calf 98/9</p>

Lot 5 Huidige Skrotumomvang 430mm

<p>AG 160548 SPN Mat. 102</p> 	<p>AG 130315 SPN Mat. 99</p>	<p>AFC 36 SPN Mat. 106 ICP 554 Age/Calv. 6/3 RI 82 Avg. WI/Calf 109/2</p>	<p>AG 070361 SPN Mat. 69</p>	<p>LAR 010176 SPN Mat. 84 AG 030421 SPN Mat. 77 FAN 000010 SPN Mat. 104 AG 030422 SPN Mat. 101 AG 030256 SPN Mat. 86 HTC 020007 SPN Mat. 111 AG 040077 SPN Mat. 77 AG 050563 SPN Mat. 97</p>	
					<p>AG 060005 AFC 33 SPN Mat. 123 ICP 405 Age/Calv. 13/10 Avg. WI/Calf 108/9</p>
					<p>AG 080056 SPN Mat. 98</p>
					<p>AG 080654 AFC 36 SPN Mat. 90 ICP 589 Age/Calv. 6/3 Avg. WI/Calf 98/3</p>

Lot 6 Huidige Skrotumomvang 400mm

<p>AG 140092 SPN Mat. 108</p> 	<p>AG 080210 SPN Mat. 105</p>	<p>AFC 25 SPN Mat. 115 ICP 404 Age/Calv. 6/5 RI 114 Avg. WI/Calf 110/5</p>	<p>HJS 030016 SPN Mat. 97</p>	<p>RCO 980037 SPN Mat. 67 HJS 000068 SPN Mat. 113 AG 960301 SPN Mat. 112 IVY 980158 SPN Mat. 150 FCT 040101 SPN Mat. 89 FCT 980024 SPN Mat. 112 AG 000264 SPN Mat. 77 AG 020370 SPN Mat. 101</p>	
					<p>Elite-Bronze AG 090124</p>
					<p>BZ 020158 AFC 29 SPN Mat. 130 ICP 561 Age/Calv. 10/6 Avg. WI/Calf 103/4</p>
					<p>FCT 060109 SPN Mat. 119</p>

Lot	Verkoper	ID POENA Gen	OUERS VADER GV OV MOEDER GV OV	Toets Genomies Getoets DNS Geb. dat.	DIREKTE KALF EIENSKAPPE					DOGTER EIENSKAPPE			GROEI		DOEL	REP	MATES	V:	Semen Gebruikers	Gebruiker Eie Opmerkings
					Nageslag Geboorte- gewig	Nageslag Speengewig	Gemak van Kalwing	Melk prod.	Volwas- se Gewig	Naspeen- gewig	Daaglikse Toename	Voer- omset	Hoogte & Lengte							
Teelwaarde indekse																				
					Geb Dir	Speen Dir		Geb Mat	Speen Mat	Volw Gew	Naspeen	GDT	VOV	SO	Hgt	Lgt	LHV	GGV	SGV	
					Akk	Akk		Akk	Akk	Akk	Akk	Akk	Akk	Akk	Akk	Akk				
					Gew kg	Gew kg	Ind	kg	kg	kg	365d Ind	540d Ind	Ind	Ind	(mm)	(mm)	(mm)			

BULLE

7	DE VILLIERS AG & SEUN	AG 160515 SP	AG 130315 <input checked="" type="checkbox"/>	NS540	68	119		106	102	114	118	105	102	111	101	107	-			
			AG 130573 <input checked="" type="checkbox"/>	DNS	4.47 76	22.0 71		-0.46 50	4.4 50	25.0 32	33.9 66	118 33	-51 15	18.4 35	2 35	24 34	-			
				29.09.16	40	243	118			123	117	-	-		-	-	-			
8	DE VILLIERS AG & SEUN	AG 140057 SP	AG 080210 <input checked="" type="checkbox"/>	NS540	110	90		106	100	81	88	91	97	105	84	87	-			
			AG 090467 <input checked="" type="checkbox"/>	DNS	-0.06 92	8.6 87		-0.46 64	3.9 62	-11.0 49	13.3 80	55 50	-40 21	13.2 53	-12 53	-4 52	6			
				15.02.14	36	209	105			99	109	-	-		-	-	-	36.7		
9	DE VILLIERS AG & SEUN	AG 150953 SP	ADV 070154 <input checked="" type="checkbox"/>	NS540	97	100		97	90	97	107	102	99	104	92	99	-			
			AG 060377 <input checked="" type="checkbox"/>	DNS	1.40 79	13.2 75		-0.07 61	1.0 63	7.0 47	26.8 64	104 53	-43 29	12.8 56	-5 56	13 55	5.76			
				17.12.15	34	208	99			111	113	-	-		-	-	-			
10	DE VILLIERS AG & SEUN	AG 130147 SP	AG 080210 <input checked="" type="checkbox"/>	NS540	96	104		118	102	80	93	103	110	115	91	95	-			
			AG 100156 <input checked="" type="checkbox"/>	DNS	1.45 95	15.3 92		-1.02 62	4.4 63	-12.0 50	17.0 84	110 52	-66 26	21.7 54	-6 55	8 54	8.05			
				13.09.13	33	224	101			98	105	-	-		-	-	-	48.2		
11	DE VILLIERS AG & SEUN	AG 150116 SP	AG 110317 <input checked="" type="checkbox"/>	NS540	108	91		125	100	79	92	88	98	106	78	87	-			
			AG 100260 <input checked="" type="checkbox"/>	DNS	0.22 78	9.3 73		-1.36 58	3.7 59	-14.0 44	16.1 68	38 47	-41 26	14.4 50	-16 51	-4 50	6.94			
				24.02.15	34	211	99			101	100	-	-		-	-	-	48.6		
12	DE VILLIERS AG & SEUN	AG 140141 SP	AG 080210 <input checked="" type="checkbox"/>	NS540	113	104		114	93	76	92	108	108	110	91	99	-			
			AG 090377 <input checked="" type="checkbox"/>	DNS	-0.33 95	15.3 92		-0.82 65	1.9 65	-17.0 49	16.3 84	134 56	-64 21	17.8 61	-5 61	13 60	6.86			
				06.03.14	35	204	102			100	102	-	-		-	-	-	49		

BEESTELINGSGENOOTSKAP VAN SA

Saamgestel deur die Suid-Afrikaanse Stamboek- en Veeverbeteringsvereniging

Veilingsdatum: 08/04/2020
Data soos op 11/03/2020 10:13:35

Lot 7 Huidige Skrotumomvang 390mm

AG 160515 SPN Mat. 102

AG 130315 SPN Mat. 99

AG 130573 SPN Mat. 108
Oud/Kalw. 6/4
Gem. SI/Kalf 114/3

OEK 36
TKP 380
RI 103

AG 070361 SPN Mat. 69

AG 060005 SPN Mat. 123
Oud/Kalw. 13/10
Gem. SI/Kalf 108/9

AG 070494 SPN Mat. 87

AG 080647 SPN Mat. 85
Oud/Kalw. 11/9
Gem. SI/Kalf 94/8

OEK 33
TKP 405
OEK 36
TKP 366

LAR 010176 SPN Mat. 84
AG 030421 SPN Mat. 77
FAN 000010 SPN Mat. 104
AG 030422 SPN Mat. 101
WAT 030085 SPN Mat. 101
AG 020002 SPN Mat. 62
CAM 040223 SPN Mat. 78
AG 950521 SPN Mat. 95

Lot 8 Huidige Skrotumomvang 430mm

AG 140057 SPN Mat. 100

AG 080210 SPN Mat. 105

AG 090467 SPN Mat. 98
Oud/Kalw. 9/7
Gem. SI/Kalf 96/7

OEK 35
TKP 382
RI 107

HJS 030016 SPN Mat. 97

BZ 020158 SPN Mat. 130
Oud/Kalw. 10/6
Gem. SI/Kalf 103/4

AJF 040075 SPN Mat. 119

AG 000155 SPN Mat. 104
Oud/Kalw. 13/9
Gem. SI/Kalf 101/9

OEK 29
TKP 561
OEK 37
TKP 473

RCO 980037 SPN Mat. 67
HJS 000068 SPN Mat. 113
AG 960301 SPN Mat. 112
IVY 980158 SPN Mat. 150
KT B 960047 SPN Mat. 116
AJF 990292 SPN Mat. 116
HJL 960006 SPN Mat. 88
AG 970196 SPN Mat. 111

Lot 9 Huidige Skrotumomvang 380mm

AG 150953 SPN Mat. 90

ADV 070154 SPN Mat. 109

AG 060377 SPN Mat. 67
Oud/Kalw. 13/12
Gem. SI/Kalf 96/11

OEK 23
TKP 370
RI 118

LAR 030398 SPN Mat. 71

ADV 030008 SPN Mat. 126
Oud/Kalw. 16/13
Gem. SI/Kalf 107/11

HJB 030226 SPN Mat. 57

HJB 030501 SPN Mat. 112
Oud/Kalw. 9/7
Gem. SI/Kalf 105/7

OEK 31
TKP 377
OEK 34
TKP 384

LAR 010297 SPN Mat. 71
LAR 990031 SPN Mat. 86
AG 980338 SPN Mat. 87
AG 990103 SPN Mat. 105
AG 950284 SPN Mat. 59
HJB 000097 SPN Mat. 72
WAT 000067 SPN Mat. 104
LA 980169 SPN Mat. 96

Lot 10 Huidige Skrotumomvang 400mm

AG 130147 SPN Mat. 102

AG 080210 SPN Mat. 105

AG 100156 SPN Mat. 101
Oud/Kalw. 7/4
Gem. SI/Kalf 106/3

OEK 36
TKP 486
RI 90

HJS 030016 SPN Mat. 97

BZ 020158 SPN Mat. 130
Oud/Kalw. 10/6
Gem. SI/Kalf 103/4

CSW 010014 SPN Mat. 95

AG 040166 SPN Mat. 94
Oud/Kalw. 8/7
Gem. SI/Kalf 103/7

OEK 29
TKP 561
OEK 25
TKP 364

RCO 980037 SPN Mat. 67
HJS 000068 SPN Mat. 113
AG 960301 SPN Mat. 112
IVY 980158 SPN Mat. 150
BG 960125 SPN Mat. 100
CSW 980048 SPN Mat. 113
AG 000100 SPN Mat. 92
AG 020204 SPN Mat. 91

Lot 11 Huidige Skrotumomvang 370mm

AG 150116 SPN Mat. 100

AG 110317 SPN Mat. 112

AG 100260 SPN Mat. 84
Oud/Kalw. 9/8
Gem. SI/Kalf 97/7

OEK 25
TKP 359
RI 119

VV 070012 SPN Mat. 112
Goud

AG 030322 SPN Mat. 111
Oud/Kalw. 9/7
Gem. SI/Kalf 103/7

LAR 060034 SPN Mat. 114

AG 070075 SPN Mat. 67
Oud/Kalw. 8/6
Gem. SI/Kalf 97/6

OEK 24
TKP 424
OEK 30
TKP 411

VV 040046 SPN Mat. 113
VV 040214 SPN Mat. 115
RCO 000091 SPN Mat. 70
AG 980145 SPN Mat. 132
LAR 020101 SPN Mat. 95
LAR 980130 SPN Mat. 114
AG 040405 SPN Mat. 82
AG 030149 SPN Mat. 86

Lot 12 Huidige Skrotumomvang 410mm

AG 140141 SPN Mat. 93

AG 080210 SPN Mat. 105

AG 090377 SPN Mat. 91
Oud/Kalw. 9/7
Gem. SI/Kalf 100/7

OEK 25
TKP 421
RI 109

HJS 030016 SPN Mat. 97

BZ 020158 SPN Mat. 130
Oud/Kalw. 10/6
Gem. SI/Kalf 103/4

AJF 040075 SPN Mat. 119

AG 030387 SPN Mat. 74
Oud/Kalw. 15/12
Gem. SI/Kalf 96/12

OEK 29
TKP 561
OEK 34
TKP 391

RCO 980037 SPN Mat. 67
HJS 000068 SPN Mat. 113
AG 960301 SPN Mat. 112
IVY 980158 SPN Mat. 150
KT B 960047 SPN Mat. 116
AJF 990292 SPN Mat. 116
AG 000264 SPN Mat. 77
AG 000252 SPN Mat. 84


Lot	Seller	ID POLLED Gen	PARENTS		Test Genomic Tested DNA Birth Date	Breeding Value Indexes					GROWTH					EFF.	REP	MEASURE-MENTS			R:	Semen Users	Breeder Own Remarks
			SIRE GV PV	DAM GV PV		Birth Dir Acc	Wean Dir Acc	Birth Mat Acc	Wean Mat Acc	Mat Wgt Acc	Post Wean Acc	ADG Acc	FCR Acc	SC Acc	Hgt Acc			Lgt Acc	Height & Length				
						Progeny Birth Weight	Progeny Wean Weight	Ease of Calving	Milk prod.	Mature Weight	Post Wean Weight	Daily Gain	Feed Conv										
						365d Ind	540d Ind	Ind	Ind	(mm)	(mm)	(mm)	LHR	BWR	WWR								

BULLS


13	DE VILLIERS AG & SEUN	OB 130347 SP	OB 100079 <input checked="" type="checkbox"/> OB 100293 <input checked="" type="checkbox"/>	GT	86	115	95	110	113	113	110	109	119	127	121	1.21	Huidige Skrotumomvang 430mm
				DNA	2.52 96	20.3 83	0.04 55	6.5 58	24.0 47	30.4 67	141 71	-66 16	24.3 79	24 81	43 78	-	
				18.05.13	38	242	108		-	92	-	341	1236	1496	57.8		
14	DE VILLIERS AG & SEUN	JG 130632 SP	JG 080024 <input checked="" type="checkbox"/> JG 080135 <input checked="" type="checkbox"/>	GT	96	88	111	90	92	78	85	96	97	93	87	1.17	Huidige Skrotumomvang 380mm
				DNA	1.48 95	8.0 91	-0.68 68	1.1 64	1.0 51	6.1 66	25 76	-37 18	7.0 82	-4 84	-3 81	-	
				04.10.13	36	240	94		-	91	-	342	1160	1361	48.5		
15	DE VILLIERS AG & SEUN	AG 160416 SP	AG 110192 <input checked="" type="checkbox"/> AG 070467 <input checked="" type="checkbox"/>	PW540	106	100	123	103	90	97	111	109	121	94	103	-	Huidige Skrotumomvang 410mm
				DNA	0.41 78	13.1 74	-1.26 60	4.6 60	-1.0 41	19.5 70	145 48	-66 29	26.4 52	-3 53	18 51	6.8	
				23.10.16	34	213	105		100	93	-	-	-	-	-		
16	DE VILLIERS AG & SEUN	AG 160556 SP	AG 090310 <input checked="" type="checkbox"/> AG 130618 <input checked="" type="checkbox"/>	PW540	85	105	106	100	108	110	109	99	108	100	103	-	Huidige Skrotumomvang 380mm
				DNA	2.59 75	15.7 71	-0.49 52	3.9 54	18.0 39	28.8 67	136 48	-44 22	16.1 50	1 51	18 50	-	
				11.10.16	38	198	93		98	108	-	-	-	-	-		
17	DE VILLIERS AG & SEUN	AG 160596 SP	AG 130391 <input checked="" type="checkbox"/> AG 080687 <input checked="" type="checkbox"/>	PW540	93	112	87	86	117	114	99	96	104	114	113	-	Huidige Skrotumomvang 410mm
				DNA	1.80 77	18.8 73	0.38 53	0.0 54	28.0 36	31.3 67	91 34	-38 19	12.5 35	13 36	33 35	-	
				22.10.16	31	202	117		119	114	-	-	-	-	39.6		
18	DE VILLIERS AG & SEUN	AG 160566 SP	EMH 100077 <input checked="" type="checkbox"/> AG 050518 <input checked="" type="checkbox"/>	PW540	111	96	84	102	96	94	89	97	95	95	96	-	Huidige Skrotumomvang 380mm
				DNA	-0.11 78	11.3 74	0.52 56	4.3 58	5.0 29	17.3 68	47 38	-40 18	5.3 43	-2 43	9 42	-	
				13.10.16	24	187	112		109	109	-	-	-	-	38.8		

1.03	13.3	-0.20	3.8	10	21.7	96	-46	9.6	2	14
------	------	-------	-----	----	------	----	-----	-----	---	----


Lot 13 Huidige Skrotumomvang 430mm

<p>OB 100079 SPN Mat. 86</p>  <p>OB 100293 SPN Mat. 136 Age/Calv. 9/7 Avg. WI/Calf 106/6</p>	<p>OB 070204 SPN Mat. 89</p> <p>OB 060282 SPN Mat. 85 Age/Calv. 7/5 Avg. WI/Calf 100/4</p> <p>OB 020121 SPN Mat. 122</p> <p>Elite-Gold</p> <p>OB 000382 SPN Mat. 132 Age/Calv. 12/10 Avg. WI/Calf 106/10</p>	<p>BG 000081 SPN Mat. 114 OB 030169 SPN Mat. 88 OB 030408 SPN Mat. 94 OB 000234 SPN Mat. 99 OB 980093 SPN Mat. 109 OB 980346 SPN Mat. 134 OB 970102 SPN Mat. 95 OB N 0096 SPN Mat. 130</p>	<p>OB 130347 SPN Mat. 110</p>			
				<p>AFC 31</p>	<p>AFC 31</p>	<p>AFC 29</p>
				<p>ICP 365</p>	<p>ICP 365</p>	<p>ICP 454</p>
				<p>RI 109</p>	<p>ICP 383</p>	<p>RI 113</p>


Lot 14 Huidige Skrotumomvang 380mm

<p>JG 080024 SPN Mat. 79</p>  <p>JG 080135 SPN Mat. 102 Age/Calv. 7/5 Avg. WI/Calf 100/4</p>	<p>FCT 030113 SPN Mat. 101</p> <p>JG 050338 SPN Mat. 101 Age/Calv. 7/5 Avg. WI/Calf 103/5</p> <p>WAT 010039 SPN Mat. 98</p> <p>JG 020100 SPN Mat. 112 Age/Calv. 12/9 Avg. WI/Calf 106/9</p>	<p>FCT 000065 SPN Mat. 82 FCT 000024 SPN Mat. 110 WAT 980035 SPN Mat. 84 JG 990110 SPN Mat. 114 AG 930228 SPN Mat. 79 WAT 980057 SPN Mat. 136 WAT 980300 SPN Mat. 113 JG 000098 SPN Mat. 108</p>	<p>JG 130632 SPN Mat. 90</p>			
				<p>AFC 29</p>	<p>AFC 29</p>	<p>AFC 36</p>
				<p>ICP 375</p>	<p>ICP 454</p>	<p>ICP 425</p>
				<p>RI 113</p>	<p>ICP 383</p>	<p>RI 113</p>


Lot 15 Huidige Skrotumomvang 410mm

<p>AG 110192 SPN Mat. 103</p>  <p>AG 070467 SPN Mat. 107 Age/Calv. 10/8 Avg. WI/Calf 104/8</p>	<p>VV 070012 SPN Mat. 112 Gold</p> <p>AG 030031 SPN Mat. 94 Age/Calv. 12/8 Avg. WI/Calf 99/8</p> <p>LAR 030312 SPN Mat. 104</p> <p>AG 040150 SPN Mat. 110 Age/Calv. 6/4 Avg. WI/Calf 106/4</p>	<p>VV 040046 SPN Mat. 113 VV 040214 SPN Mat. 115 AG 990142 SPN Mat. 94 AG 980093 SPN Mat. 92 LAR 010297 SPN Mat. 71 LAR 990317 SPN Mat. 87 AG 010289 SPN Mat. 113 AG 020199 SPN Mat. 96</p>	<p>AG 160416 SPN Mat. 103</p>			
				<p>AFC 30</p>	<p>AFC 30</p>	<p>AFC 24</p>
				<p>ICP 475</p>	<p>ICP 475</p>	<p>ICP 406</p>
				<p>RI 110</p>	<p>ICP 493</p>	<p>RI 92</p>


Lot 16 Huidige Skrotumomvang 380mm

<p>AG 090310 SPN Mat. 114</p>  <p>AG 130618 SPN Mat. 82 Age/Calv. 3/1 Avg. WI/Calf 93/1</p>	<p>HJS 030016 SPN Mat. 97</p> <p>Elite-Gold</p> <p>AG 040253 SPN Mat. 105 Age/Calv. 12/10 Avg. WI/Calf 105/10</p> <p>AG 070494 SPN Mat. 87</p> <p>AG 080604 SPN Mat. 84 Age/Calv. 5/3 Avg. WI/Calf 86/3</p>	<p>RCO 980037 SPN Mat. 67 HJS 000068 SPN Mat. 113 RAI 990034 SPN Mat. 89 AG 980005 SPN Mat. 101 WAT 030085 SPN Mat. 101 AG 020002 SPN Mat. 62 AG 050263 SPN Mat. 116 AG 980562 SPN Mat. 93</p>	<p>AG 160556 SPN Mat. 100</p>			
				<p>AFC 24</p>	<p>AFC 24</p>	<p>AFC 39</p>
				<p>ICP 406</p>	<p>ICP 406</p>	<p>ICP 347</p>
				<p>RI 92</p>	<p>ICP 347</p>	<p>RI 92</p>

Lot 17 Huidige Skrotumomvang 410mm

<p>AG 130391 SPN Mat. 92</p>  <p>AG 080687 SPN Mat. 88 Age/Calv. 9/7 Avg. WI/Calf 98/7</p>	<p>AG 080407 SPN Mat. 71</p> <p>Elite-Silver</p> <p>AG 090737 SPN Mat. 118 Age/Calv. 10/8 Avg. WI/Calf 108/7</p> <p>AG 030177 SPN Mat. 85</p> <p>AG 000760 SPN Mat. 117 Age/Calv. *7 Avg. WI/Calf 111/7</p>	<p>AG 030029 SPN Mat. 65 AG 030347 SPN Mat. 85 AJF 040075 SPN Mat. 119 AG 060438 SPN Mat. 103 AG 980338 SPN Mat. 87 AG 940027 SPN Mat. 113</p>	<p>AG 160596 SPN Mat. 86</p>			
				<p>AFC 34</p>	<p>AFC 34</p>	<p>AFC *</p>
				<p>ICP 368</p>	<p>ICP 368</p>	<p>ICP 367</p>
				<p>RI 107</p>	<p>ICP 367</p>	<p>RI 107</p>

Lot 18 Huidige Skrotumomvang 380mm

<p>EMH 100077 SPN Mat. 113</p>  <p>Elite-Gold</p> <p>AG 050518 SPN Mat. 99 Age/Calv. 14/12 Avg. WI/Calf 105/11</p>	<p>HCO 080026 SPN Mat. 110</p> <p>EMH 990140 SPN Mat. 109 Age/Calv. 11/9 Avg. WI/Calf 106/9</p> <p>AG 020224 SPN Mat. 81</p> <p>AG 950510 SPN Mat. 100 Age/Calv. *7 Avg. WI/Calf 99/7</p>	<p>AG 040422 SPN Mat. 93 EI 050139 SPN Mat. 112 AG 950183 SPN Mat. 107 EMH 960139 SPN Mat. 85 AG 980338 SPN Mat. 87 AG 960246 SPN Mat. 98</p>	<p>AG 160566 SPN Mat. 102</p>			
				<p>AFC 26</p>	<p>AFC 26</p>	<p>AFC *</p>
				<p>ICP 400</p>	<p>ICP 400</p>	<p>ICP 359</p>
				<p>RI 111</p>	<p>ICP 359</p>	<p>RI 111</p>

Lot	Verkoper	ID POENA Gen	OUERS VADER GV OV MOEDER GV OV	Toets Genomies Getoets DNS Geb. dat.	DIREKTE KALF EIENSKAPPE					DOGTER EIENSKAPPE			GROEI		DOEL	REP	MATES		V:	Semen Gebruikers	Gebruiker Eie Opmerkings
					Nageslag Geboorte- gewig	Nageslag Speengewig	Gemak van Kalwing	Melk prod.	Volwas- se Gewig	Naspeen- gewig	Daaglikse Toename	Voer- omset	Hoogte & Lengte								
Teelwaarde indekse										Naspeen	GDT	VOV	SO	Hgt	Lgt	LHV					
Geb Dir	Speen Dir	Geb Mat	Speen Mat	Volw Gew	Akk	Akk	Akk	Akk	Akk							Akk	Akk	Akk	Akk		
					Gew kg	Gew kg	Ind	kg	kg	kg	365d Ind	540d Ind	Ind	Ind	(mm)	(mm)	(mm)	SGV			

BULLE

19	DE VILLIERS AG & SEUN	AG 160572 SP	SYF 120293 <input checked="" type="checkbox"/>	NS540	78	108	111	93	100	107	94	96	111	83	95	-	Huidige Skrotumomvang 400mm
			AG 090527 <input checked="" type="checkbox"/>	DNS	3.42 77	16.9 72	-0.68 51	1.8 53	9.0 39	26.3 66	69 41	-37 14	18.2 44	-12 45	7 44	-	
				14.10.16	44	215	117				112	106	-	-	-	-	
20	DE VILLIERS AG & SEUN	AG 160749 SP	ADV 070154 <input checked="" type="checkbox"/>	NS540	82	113	83	102	85	111	108	100	98	94	108	-	Huidige Skrotumomvang 380mm
			AG 110723 <input checked="" type="checkbox"/>	DNS	2.95 77	19.0 73	0.58 57	4.5 59	-6.0 48	29.2 68	133 50	-46 26	8.1 52	-4 53	25 52	10.75	
				07.11.16	43	216	102				118	99	-	-	-	-	
21	DE VILLIERS AG & SEUN	AG 160441 SP	CEW 110234 <input checked="" type="checkbox"/>	NS540	96	105	133	93	91	97	99	102	108	98	99	-	Huidige Skrotumomvang 400mm
			AG 100783 <input checked="" type="checkbox"/>	DNS	1.43 89	15.8 73	-1.69 56	1.9 56	0.0 41	19.3 69	89 50	-51 26	16.1 52	0 53	12 52	7.2	
				25.10.16	36	218	107				90	102	-	-	-	-	
22	DE VILLIERS AG & SEUN	AG 170068 SP	AG 130024 <input checked="" type="checkbox"/>	NS540	111	94	86	106	87	94	105	103	103	93	96	-	Huidige Skrotumomvang 360mm
			JMP 080335 <input checked="" type="checkbox"/>	DNS	-0.15 79	10.7 75	0.45 59	5.5 61	-4.0 37	17.2 70	118 53	-53 33	12.0 55	-4 55	9 54	6.72	
			P <input checked="" type="checkbox"/>	04.03.17	39	234	106				99	97	-	-	-	-	
23	DE VILLIERS AG & SEUN	AG 160866 SP	GZV 120062 <input checked="" type="checkbox"/>	NS540	100	93	87	121	100	94	99	104	98	96	100	-	Huidige Skrotumomvang 380mm
			AG 130236 <input checked="" type="checkbox"/>	DNS	1.01 79	10.0 72	0.38 50	9.8 51	10.0 38	17.4 67	92 42	-54 22	7.6 46	-2 46	14 45	7.56	
				26.11.16	34	222	107				108	93	-	-	-	-	
24	DE VILLIERS AG & SEUN	AG 170061 SP	AG 110192 <input checked="" type="checkbox"/>	NS540	83	122	130	105	107	119	116	112	117	106	112	-	Huidige Skrotumomvang 420mm
			AG 080786 <input checked="" type="checkbox"/>	DNS	2.85 77	23.2 74	-1.56 60	5.1 60	17.0 41	35.2 70	168 45	-72 23	22.9 48	7 49	30 47	5.54	
				26.02.17	36	247	115				105	110	-	-	-	-	

BONASIA BEESTENGENOOTSKAP VAN SA

Saamgestel deur die Suid-Afrikaanse Stamboek- en Veeverbeteringsvereniging

Veilingsdatum: 08/04/2020
Data soos op 11/03/2020 10:13:51

Lot 19 Huidige Skrotumomvang 400mm

AG 160572 SPN Mat. 93

SYF 120293 SPN Mat. 96

AG 090527 SPN Mat. 92
Oud/Kalw. 8/6
Gem. SI/Kalf 95/6

OEK 37 TKP 367 RI 107

SYF 090010 SPN Mat. 79

SYF 090036 SPN Mat. 94
Oud/Kalw. 11/8
Gem. SI/Kalf 100/6

OEK 30 TKP 418

AG 050141 SPN Mat. 89

AG 060520 SPN Mat. 95
Oud/Kalw. 4/2
Gem. SI/Kalf 97/2

OEK 36 TKP 380

SYF 040160 SPN Mat. 70
SYF 060173 SPN Mat. 101
ADV 010011 SPN Mat. 79
SYF 060175 SPN Mat. 99
AG 000100 SPN Mat. 92
AG 030042 SPN Mat. 94
AG 040061 SPN Mat. 76
AG 960556 SPN Mat. 125

Lot 20 Huidige Skrotumomvang 380mm

AG 160749 SPN Mat. 102

ADV 070154 SPN Mat. 109

AG 110723 SPN Mat. 92
Oud/Kalw. 6/4
Gem. SI/Kalf 100/3

OEK 34 TKP 373 RI 106

LAR 030398 SPN Mat. 71

ADV 030008 SPN Mat. 126
Oud/Kalw. 16/13
Gem. SI/Kalf 107/11

OEK 31 TKP 377

AG 090070 SPN Mat. 88

AG 090377 SPN Mat. 91
Oud/Kalw. 9/7
Gem. SI/Kalf 100/7

OEK 25 TKP 421

LAR 010297 SPN Mat. 71
LAR 990031 SPN Mat. 86
AG 980338 SPN Mat. 87
AG 990103 SPN Mat. 105
AG 060027 SPN Mat. 92
AG 000252 SPN Mat. 84
AJF 040075 SPN Mat. 119
AG 030387 SPN Mat. 74

Lot 21 Huidige Skrotumomvang 400mm

AG 160441 SPN Mat. 93

CEW 110234 SPN Mat. 99

AG 100783 SPN Mat. 94
Oud/Kalw. 9/6
Gem. SI/Kalf 103/5

OEK 38 TKP 429 RI 96

CEW 080156 SPN Mat. 109

CEW 080220 SPN Mat. 91
Oud/Kalw. 10/8
Gem. SI/Kalf 100/8

OEK 24 TKP 409

AJF 040075 SPN Mat. 119

AG 070025 SPN Mat. 85
Oud/Kalw. 13/9
Gem. SI/Kalf 98/6

OEK 32 TKP 453

LAR 040172 SPN Mat. 117
CEW 040033 SPN Mat. 99
WAT 050081 SPN Mat. 121
CEF 060077 SPN Mat. 98
KTB 960047 SPN Mat. 116
AJF 990292 SPN Mat. 116
RCO 000091 SPN Mat. 70
AG 990301 SPN Mat. 107

Lot 22 Huidige Skrotumomvang 360mm

AG 170068 SPN Mat. 106

AG 130024 SPN Mat. 96

JMP 080335 P SPN Mat. 117
Oud/Kalw. 10/8
Gem. SI/Kalf 105/8

OEK 31 TKP 394 RI 109

AG 090751 SPN Mat. 108

HJB 030230 SPN Mat. 91
Oud/Kalw. 12/9
Gem. SI/Kalf 99/8

OEK 38 TKP 407

JMP 060278 SPN Mat. 86
Goud Elite-Brons

JMP 060336 SPN Mat. 108
Oud/Kalw. 8/7
Gem. SI/Kalf 102/7

OEK 24 TKP 357

CEF 040431 SPN Mat. 90
AG 980250 SPN Mat. 127
LA 980044 SPN Mat. 89
HJB 000239 SPN Mat. 93
JMP 030268 SPN Mat. 87
JMP 040101 SPN Mat. 100
MMJ 020150 SPN Mat. 92
JMP 030328 SPN Mat. 100

Lot 23 Huidige Skrotumomvang 380mm

AG 160866 SPN Mat. 121

GZV 120062 SPN Mat. 121

AG 130236 SPN Mat. 121
Oud/Kalw. 6/5
Gem. SI/Kalf 107/4

OEK 25 TKP 363 RI 119

AG 090483 SPN Mat. 106

AG 080251 SPN Mat. 131
Oud/Kalw. 9/6
Gem. SI/Kalf 103/6

OEK 26 TKP 510

TOR 050216 SPN Mat. 108

AG 080798 SPN Mat. 119
Oud/Kalw. 10/9
Gem. SI/Kalf 107/8

OEK 24 TKP 363

FCT 060109 SPN Mat. 119
AG 060123 SPN Mat. 99
AG 020251 SPN Mat. 120
AG 980250 SPN Mat. 127
AG 010051 SPN Mat. 107
RAI 020013 SPN Mat. 109
CEF 040431 SPN Mat. 90
AG 010117 SPN Mat. 114

Lot 24 Huidige Skrotumomvang 420mm

AG 170061 SPN Mat. 105

AG 110192 SPN Mat. 103

AG 080786 SPN Mat. 112
Oud/Kalw. 10/8
Gem. SI/Kalf 106/7

OEK 24 TKP 421 RI 109

VV 070012 SPN Mat. 112
Goud

AG 030031 SPN Mat. 94
Oud/Kalw. 12/8
Gem. SI/Kalf 99/8

OEK 30 TKP 475

AJF 040075 SPN Mat. 119

AG 050387 SPN Mat. 102
Oud/Kalw. 4/3
Gem. SI/Kalf 112/3

OEK 24 TKP 441

VV 040046 SPN Mat. 113
VV 040214 SPN Mat. 115
AG 990142 SPN Mat. 94
AG 980093 SPN Mat. 92
KTB 960047 SPN Mat. 116
AJF 990292 SPN Mat. 116
AG 980012 SPN Mat. 69
AG 990159 SPN Mat. 104

Lot	Seller	ID POLLED Gen	PARENTS		Test Genomic Tested DNA Birth Date	Breeding Value Indexes										LHR BWR WWR	Semen Users	Breeder Own Remarks			
			SIRE GV PV	DAM GV PV		DIRECT CALF TRAITS		DAUGHTER TRAITS			GROWTH		EFF.	REP	MEASUREMENTS				R:		
						Progeny Birth Weight	Progeny Wean Weight	Ease of Calving	Milk prod.	Mature Weight	Post Wean Weight	Daily Gain	Feed Conv						Height & Length		
						Birth Dir	Wean Dir	Birth Mat	Wean Mat	Mat Wgt	Post Wean	ADG	FCR	SC	Hgt	Lgt					
						Acc	Acc	Acc	Acc	Acc	Acc	Acc	Acc	Acc	Acc	Acc	Acc	Acc	Acc		
						Wgt kg	Wgt kg Ind	kg	kg	kg	365d Ind	540d Ind	Ind	Ind	(mm)	(mm)	(mm)				

BULLS


25	DE VILLIERS AG & SEUN	AG 170002 SP	AG 110231 <input checked="" type="checkbox"/>	PW540	99	101	119	84	108	99	102	101	98	94	102	-	Huidige Skrotumomvang 390mm
			AG 070110 <input checked="" type="checkbox"/>	DNA	1.09 78	13.8 74	-1.08 61	-0.5 62	19.0 51	20.9 70	105 52	-49 39	8.2 54	-3 55	16 54	6.55	
				04.01.17	36	227	104			99	107	-	-	-	-	47.7	
26	DE VILLIERS AG & SEUN	AG 170087 SP	ADV 070154 <input checked="" type="checkbox"/>	PW540	93	95	105	106	95	96	98	98	91	81	95	-	Huidige Skrotumomvang 400mm
			AG 090092 <input checked="" type="checkbox"/>	DNA	1.78 78	10.8 74	-0.41 60	5.6 62	4.0 51	18.9 70	87 53	-41 29	2.5 55	-14 56	7 55	-	
				14.03.17	36	205	92			98	103	-	-	-	-	39.9	
27	DE VILLIERS AG & SEUN	AG 170041 SP	AG 090751 <input checked="" type="checkbox"/>	PW540	108	97	107	100	101	94	98	103	97	95	100	-	Huidige Skrotumomvang 400mm
			AG 060108 <input checked="" type="checkbox"/>	DNA	0.18 79	12.0 76	-0.51 61	3.8 63	11.0 45	17.5 70	86 53	-53 32	6.9 55	-2 56	14 55	5.42	
				09.02.17	32	227	106			104	96	-	-	-	-	45.8	
28	DE VILLIERS AG & SEUN	AG 170086 SP	ADV 070154 <input checked="" type="checkbox"/>	PW540	95	99	90	104	96	102	102	103	91	89	99	-	Huidige Skrotumomvang 400mm
			AG 100469 <input checked="" type="checkbox"/>	DNA	1.61 77	12.6 74	0.26 59	4.9 61	5.0 48	23.0 69	107 52	-52 31	2.1 54	-8 54	13 54	6.8	
				13.03.17	34	224	104			105	101	-	-	-	-	51.4	
29	DE VILLIERS AG & SEUN	RHJ 170001 SP	AG 080409 <input checked="" type="checkbox"/>	PW540	102	105	111	81	95	97	96	101	100	94	98	-	Huidige Skrotumomvang 430mm
			AG 110251 <input checked="" type="checkbox"/>	DNA	0.82 78	15.4 74	-0.70 59	-1.4 62	5.0 44	19.7 68	78 50	-48 27	9.3 52	-3 52	12 52	6.44	
				09.01.17	34	211	98			97	101	-	-	-	-	38.6	
30	DE VILLIERS AG & SEUN	AG 170018 SP	ADV 070154 <input checked="" type="checkbox"/>	PW540	99	96	96	96	100	96	100	99	96	96	101	-	Huidige Skrotumomvang 380mm
			AG 100034 <input checked="" type="checkbox"/>	DNA	1.09 78	11.4 74	-0.01 59	2.8 61	10.0 47	19.1 70	96 52	-45 29	6.0 54	-1 55	15 54	6.18	
				14.01.17	34	211	96			95	103	-	-	-	-	40.7	

1.03	13.3	-0.20	3.8	10	21.7	96	-46	9.6	2	14
------	------	-------	-----	----	------	----	-----	-----	---	----

Lot 25 Huidige Skrotumomvang 390mm

AG 170002
SPN Mat. 84

AG 110231
SPN Mat. 81



AG 070110
SPN Mat. 90

AFC 35 Age/Calv. 11/8
ICP 406 Avg. WI/Calf 103/8
RI 103

WAT 030085

AG 070745
SPN Mat. 96

AG 070467
SPN Mat. 107
Age/Calv. 10/8
Avg. WI/Calf 104/8

RCO 000091
SPN Mat. 70


AG 960246
SPN Mat. 98
Age/Calv. 16/12
Avg. WI/Calf 100/11

SPN Mat. 101
AG 030221
SPN Mat. 112
LAR 030312
SPN Mat. 104
AG 040150
SPN Mat. 110
AG J 0008
SPN Mat. 88
RCO 970137
SPN Mat. 80
AG 920282
SPN Mat. 113
AG C 0002
SPN Mat. 102

Lot 26 Huidige Skrotumomvang 400mm

AG 170087
SPN Mat. 106

ADV 070154
SPN Mat. 109



AG 090092
SPN Mat. 96

AFC 31 Age/Calv. 10/8
ICP 378 Avg. WI/Calf 101/8
RI 111

LAR 030398
SPN Mat. 71

ADV 030008
SPN Mat. 126
Age/Calv. 16/13
Avg. WI/Calf 107/11

AG 060027
SPN Mat. 92


AG 980218
SPN Mat. 122
Age/Calv. 16/14
Avg. WI/Calf 107/14

SPN Mat. 71
LAR 990031
SPN Mat. 86
AG 980338
SPN Mat. 87
AG 990103
SPN Mat. 105
LAR 010176
SPN Mat. 84
AG 020147
SPN Mat. 123
AG 960256
SPN Mat. 115
AG 960322
SPN Mat. 97

Lot 27 Huidige Skrotumomvang 400mm

AG 170041
SPN Mat. 100

AG 090751
SPN Mat. 108



AG 060108
SPN Mat. 93

AFC 25 Age/Calv. 12/9
ICP 460 Avg. WI/Calf 102/9
RI 101

CEF 020328

CEF 040431
SPN Mat. 90

AG 980250
SPN Mat. 127
Age/Calv. 15/11
Avg. WI/Calf 106/10

RCO 000019
SPN Mat. 103


AG 020216
SPN Mat. 95
Age/Calv. 10/8
Avg. WI/Calf 98/8

SPN Mat. 90
CEF 950055
SPN Mat. 85
AG 950059
SPN Mat. 102
AG 940258
SPN Mat. 110
AG J 0008
SPN Mat. 88
RCO 900123
SPN Mat. 98
AG 980338
SPN Mat. 87
AG 960263
SPN Mat. 116

Lot 28 Huidige Skrotumomvang 400mm

AG 170086
SPN Mat. 104

ADV 070154
SPN Mat. 109



AG 100469
SPN Mat. 100

AFC 35 Age/Calv. 8/6
ICP 402 Avg. WI/Calf 100/6
RI 103

LAR 030398
SPN Mat. 71

ADV 030008
SPN Mat. 126
Age/Calv. 16/13
Avg. WI/Calf 107/11

AG 050263
SPN Mat. 116


AG 060237
SPN Mat. 81
Age/Calv. 13/9
Avg. WI/Calf 98/7

SPN Mat. 71
LAR 990031
SPN Mat. 86
AG 980338
SPN Mat. 87
AG 990103
SPN Mat. 105
AG 030256
SPN Mat. 86
AG 950255
SPN Mat. 129
AG 010245
SPN Mat. 69
AG 960240
SPN Mat. 97

Lot 29 Huidige Skrotumomvang 430mm

RHJ 170001
SPN Mat. 81

AG 080409
SPN Mat. 68



AG 110251
SPN Mat. 99

AFC 23 Age/Calv. 7/6
ICP 384 Avg. WI/Calf 101/6
RI 117

LAR 010297

LAR 030398
SPN Mat. 71

AG 020165
SPN Mat. 111
Age/Calv. 15/12
Avg. WI/Calf 101/12

PAD 070093
SPN Mat. 102


AG 090024
SPN Mat. 90
Age/Calv. 3/1
Avg. WI/Calf 115/1

SPN Mat. 71
LAR 990031
SPN Mat. 86
AG 960059
SPN Mat. 110
AG 930026
SPN Mat. 97
CSW 030109
SPN Mat. 95
AG 050042
SPN Mat. 102
AG 030181
SPN Mat. 74
AG 050324
SPN Mat. 77

Lot 30 Huidige Skrotumomvang 380mm

AG 170018
SPN Mat. 96

ADV 070154
SPN Mat. 109



AG 100034
SPN Mat. 88

AFC 30 Age/Calv. 10/8
ICP 372 Avg. WI/Calf 96/6
RI 113

LAR 030398
SPN Mat. 71

ADV 030008
SPN Mat. 126
Age/Calv. 16/13
Avg. WI/Calf 107/11

AJF 040075
SPN Mat. 119

AG 010176
SPN Mat. 73
Age/Calv. 14/13
Avg. WI/Calf 97/13

SPN Mat. 71
LAR 990031
SPN Mat. 86
AG 980338
SPN Mat. 87
AG 990103
SPN Mat. 105
KTB 960047
SPN Mat. 116
AJF 990292
SPN Mat. 116
AG 980338
SPN Mat. 87
AG 950013
SPN Mat. 101

Lot	Verkoper	ID POENA Gen	OUERS VADER GV OV MOEDER GV OV	Toets Genomies Getoets DNS Geb. dat.	DIREKTE KALF EIENSKAPPE					DOGTER EIENSKAPPE			GROEI		DOEL	REP	MATES		V:	Semen Gebruikers	Gebruiker Eie Opmerkings
					Nageslag Geboorte- gewig	Nageslag Speengewig	Gemak van Kalwing	Melk prod.	Volwas- se Gewig	Naspeen- gewig	Daaglikse Toename	Voer- omset	Hoogte & Lengte								
Teelwaarde indekse										Naspeen	GDT	VOV	SO	Hgt	Lgt	LHV					
Geb Dir	Speen Dir	Geb Mat	Speen Mat	Volw Gew	Akk	Akk	Akk	Akk	Akk							Akk	Akk	Akk	Akk		
					Gew kg	Gew kg	Ind	kg	kg	kg	365d Ind	540d Ind	Ind	Ind	(mm)	(mm)	(mm)	SGV			

BULLE

31	DE VILLIERS AG & SEUN	AG 170052 SP	AG 090751 <input checked="" type="checkbox"/>	NS540	82	112	101	109	98	106	100	102	103	103	104	-	Huidige Skrotumomvang 380mm
			AG 020279 <input checked="" type="checkbox"/>	DNS	2.90 78	18.9 75	-0.23 62	6.4 64	8.0 47	25.5 72	96 55	-50 32	12.0 58	4 58	19 57	7.33	
17.02.17					44	229	101				97	105	-	-	-	-	42.6
32	DE VILLIERS AG & SEUN	AG 170081 SP	AG 130024 <input checked="" type="checkbox"/>	NS540	108	103	109	105	78	97	108	106	106	94	103	-	Huidige Skrotumomvang 410mm
			AG 090133 <input checked="" type="checkbox"/>	DNS	0.19 79	14.8 74	-0.60 60	5.3 61	-14.0 42	19.9 70	133 54	-59 26	14.1 56	-4 56	18 55	7.2	
09.03.17					36	247	115				102	108	-	-	-	-	54.4
33	DE VILLIERS AG & SEUN	AG 170073 SP	AG 140057 <input checked="" type="checkbox"/>	NS540	123	79	99	97	70	79	85	97	90	76	81	-	Huidige Skrotumomvang 420mm
			AG 060115 <input checked="" type="checkbox"/>	DNS	-1.41 78	3.6 74	-0.17 52	3.1 54	-22.0 39	6.9 67	25 39	-40 20	1.4 42	-18 42	-13 42	6	
06.03.17					30	202	94				93	100	-	-	-	-	38.3
34	DE VILLIERS AG & SEUN	AG 170084 SP	AG 130195 <input checked="" type="checkbox"/>	NS540	86	112	98	104	120	111	110	111	98	99	103	-	Huidige Skrotumomvang 370mm
			AG 060024 <input checked="" type="checkbox"/>	DNS	2.50 77	18.8 71	-0.09 52	4.8 54	31.0 41	29.4 65	141 40	-70 22	7.7 43	1 43	18 42	6.33	
10.03.17					38	249	115				117	94	-	-	-	-	55.7
35	DE VILLIERS AG & SEUN	RHJ 170012 SP	AG 080409 <input checked="" type="checkbox"/>	NS540	90	95	93	97	98	95	88	92	101	86	94	-	Huidige Skrotumomvang 370mm
			AG 100376 <input checked="" type="checkbox"/>	DNS	2.06 65	11.0 63	0.14 60	2.9 61	8.0 48	18.4 58	40 52	-29 29	10.2 54	-10 54	6 53	7.48	
30.05.17					43	279	100				117	111	-	-	-	-	51.9
36	DE VILLIERS AG & SEUN	AG 170024 SP	AG 110192 <input checked="" type="checkbox"/>	NS540	88	119	116	103	99	123	116	109	126	106	111	-	Huidige Skrotumomvang 440mm
			AG 090101 <input checked="" type="checkbox"/>	DNS	2.25 78	21.7 74	-0.93 60	4.6 60	8.0 40	37.7 70	169 47	-65 26	30.2 51	6 51	30 50	8.33	
16.01.17					45	252	113				112	111	-	-	-	-	42.1

BONKARA BEESTENGENOOTSKAP VAN SA

Saamgestel deur die Suid-Afrikaanse Stamboek- en Veeverbeteringsvereniging

Veilingsdatum: 08/04/2020
Data soos op 11/03/2020 10:14:03

Lot 31 Huidige Skrotumomvang 380mm

AG 170052 SPN Mat. 109

AG 090751 SPN Mat. 108

AG 020279 SPN Mat. 106

OEK 28 SPN Mat. 106
TKP 433 Oud/Kalw. 15/12
RI 103 Gem. SI/Kalf 101/11

AG 040431 SPN Mat. 90

AG 980250 SPN Mat. 127

OEK 35 SPN Mat. 127
TKP 443 Oud/Kalw. 15/11
Gem. SI/Kalf 106/10

RCO 990110 SPN Mat. 116

AG 950102 SPN Mat. 98

OEK 35 SPN Mat. 98
TKP 396 Oud/Kalw. 11/8
Gem. SI/Kalf 102/8

CEF 020328 SPN Mat. 90

CEF 950055 SPN Mat. 85

AG 950059 SPN Mat. 102

AG 940258 SPN Mat. 110

RCO 910097 SPN Mat. 113

GTH 900043 SPN Mat. 109

AG 910130 SPN Mat. 94

AG 910027 SPN Mat. 99

Lot 32 Huidige Skrotumomvang 410mm

AG 170081 SPN Mat. 105

AG 130024 SPN Mat. 96

AG 090133 SPN Mat. 119

OEK 25 SPN Mat. 119
TKP 373 Oud/Kalw. 10/9
RI 117 Gem. SI/Kalf 107/8

AG 090751 SPN Mat. 108

HJB 030230 SPN Mat. 91

OEK 38 SPN Mat. 91
TKP 407 Oud/Kalw. 12/9
Gem. SI/Kalf 99/8

FCT 060109 SPN Mat. 119

AG 070402 SPN Mat. 112

OEK 23 SPN Mat. 112
TKP 508 Oud/Kalw. 12/8
Gem. SI/Kalf 107/7

CEF 040431 SPN Mat. 90

AG 980250 SPN Mat. 127

LA 980044 SPN Mat. 89

HJB 000239 SPN Mat. 93

FCT 040101 SPN Mat. 89

FCT 980024 SPN Mat. 112

AG 030205 SPN Mat. 84

AG 030202 SPN Mat. 106

Lot 33 Huidige Skrotumomvang 420mm

AG 170073 SPN Mat. 97

AG 140057 SPN Mat. 100

AG 060115 SPN Mat. 94

OEK 25 SPN Mat. 94
TKP 423 Oud/Kalw. 12/10
RI 107 Gem. SI/Kalf 99/10

AG 080210 SPN Mat. 105

AG 090467 SPN Mat. 98

OEK 35 SPN Mat. 98
TKP 382 Oud/Kalw. 9/7
Gem. SI/Kalf 96/7

AG 010289 SPN Mat. 113

AG 040281 SPN Mat. 93

OEK 22 SPN Mat. 93
TKP 478 Oud/Kalw. 11/8
Gem. SI/Kalf 99/7

HJS 030016 SPN Mat. 97

BZ 020158 SPN Mat. 130

AJF 040075 SPN Mat. 119

AG 000155 SPN Mat. 104

AG 960233 SPN Mat. 105

AG 980186 SPN Mat. 97

RCO 990110 SPN Mat. 116

AG 000121 SPN Mat. 84

Lot 34 Huidige Skrotumomvang 370mm

AG 170084 SPN Mat. 104

AG 130195 SPN Mat. 108

AG 060024 SPN Mat. 100

OEK 31 SPN Mat. 100
TKP 403 Oud/Kalw. 14/11
RI 107 Gem. SI/Kalf 106/9

TOR 050216 SPN Mat. 108

Elite-Goud

AG 090460 SPN Mat. 110

OEK 35 SPN Mat. 110
TKP 369 Oud/Kalw. 10/8
Gem. SI/Kalf 104/7

AG 030143 SPN Mat. 83

AG 030248 SPN Mat. 82

OEK 28 SPN Mat. 82
TKP 355 Oud/Kalw. 5/4
Gem. SI/Kalf 93/3

AG 010051 SPN Mat. 107

RAI 020013 SPN Mat. 109

CEF 040431 SPN Mat. 90

AG 020147 SPN Mat. 123

AG J 0008 SPN Mat. 88

AG 000143 SPN Mat. 61

RCO 980035 SPN Mat. 66

AG 960190 SPN Mat. 95

Lot 35 Huidige Skrotumomvang 370mm

RHJ 170012 SPN Mat. 97

AG 080409 SPN Mat. 68

AG 100376 SPN Mat. 125

OEK 24 SPN Mat. 125
TKP 431 Oud/Kalw. 9/7
RI 108 Gem. SI/Kalf 105/6

LAR 030398 SPN Mat. 71

AG 020165 SPN Mat. 111

OEK 30 SPN Mat. 111
TKP 422 Oud/Kalw. 15/12
Gem. SI/Kalf 101/12

FCT 060109 SPN Mat. 119

AG 050336 SPN Mat. 126

OEK 35 SPN Mat. 126
TKP 386 Oud/Kalw. 5/3
Gem. SI/Kalf 106/3

LAR 010297 SPN Mat. 71

LAR 990031 SPN Mat. 86

AG 960059 SPN Mat. 110

AG 930026 SPN Mat. 97

FCT 040101 SPN Mat. 89

FCT 980024 SPN Mat. 112

AG 010181 SPN Mat. 116

AG 020250 SPN Mat. 117

Lot 36 Huidige Skrotumomvang 440mm

AG 170024 SPN Mat. 103

AG 110192 SPN Mat. 103

AG 090101 SPN Mat. 106

OEK 31 SPN Mat. 106
TKP 369 Oud/Kalw. 10/8
RI 113 Gem. SI/Kalf 98/8

VV 070012 SPN Mat. 112

Goud

AG 030031 SPN Mat. 94

OEK 30 SPN Mat. 94
TKP 475 Oud/Kalw. 12/8
Gem. SI/Kalf 99/8

HJB 050052 SPN Mat. 111

AG 040372 SPN Mat. 90

OEK 22 SPN Mat. 90
TKP 406 Oud/Kalw. 13/11
Gem. SI/Kalf 100/10

VV 040046 SPN Mat. 113

VV 040214 SPN Mat. 115

AG 990142 SPN Mat. 94

AG 980093 SPN Mat. 92

NPT 910022 SPN Mat. 107

LA 980114 SPN Mat. 108

AG 020145 SPN Mat. 90

AG 950083 SPN Mat. 94


Lot	Seller	ID POLLED Gen	PARENTS		Test Genomic Tested DNA Birth Date	Breeding Value Indexes										Semen Users	Breeder Own Remarks			
			SIRE GV PV	DAM GV PV		DIRECT CALF TRAITS		DAUGHTER TRAITS			GROWTH		EFF.	REP	MEASUREMENTS			R:		
						Progeny Birth Weight	Progeny Wean Weight	Ease of Calving	Milk prod.	Mature Weight	Post Wean Weight	Daily Gain	Feed Conv					Height & Length		
						Birth Dir	Wean Dir	Birth Mat	Wean Mat	Mat Wgt	Post Wean	ADG	FCR	SC	Hgt	Lgt	LHR			
						Acc	Acc	Acc	Acc	Acc	Acc	Acc	Acc	Acc	Acc	Acc	BWR			
						Wgt kg	Wgt kg Ind	kg	kg	kg	365d Ind	540d Ind	Ind	Ind	(mm)	(mm)	(mm)	WWR		

BULLS


37	DE VILLIERS AG & SEUN	AG 170856 SP	AG 110192 <input checked="" type="checkbox"/>	PW540	99	94	122	105	95	103	102	101	115	88	98	-	Huidige Skrotumomvang 380mm
			AG 130214 <input checked="" type="checkbox"/>	DNA	1.09 77	10.6 73	-1.20 57	5.3 57	5.0 41	23.9 68	106 44	-49 25	21.3 48	-8 49	11 47	-	
				02.11.17	34	222	93				109	99	-	-	-	-	
38	DE VILLIERS AG & SEUN	AG 170872 SP	AG 110192 <input checked="" type="checkbox"/>	PW540	81	118	127	106	86	119	109	108	127	97	105	-	Huidige Skrotumomvang 400mm
			AG 130081 <input checked="" type="checkbox"/>	DNA	3.05 77	21.3 73	-1.43 57	5.6 57	-5.0 40	35.0 70	136 43	-63 24	31.0 47	-1 47	21 46	-	
				06.11.17	38	236	98				108	107	-	-	-	-	
39	DE VILLIERS AG & SEUN	AG 170007 SP	AG 110192 <input checked="" type="checkbox"/>	PW540	96	105	122	89	85	106	96	101	105	86	94	-	Huidige Skrotumomvang 390mm
			AG 080418 <input checked="" type="checkbox"/>	DNA	1.41 79	15.7 74	-1.19 60	0.8 60	-6.0 42	25.6 70	78 46	-49 30	13.8 49	-10 50	7 49	7.31	
				05.01.17	38	212	95				99	99	-	-	-	-	
40	DE VILLIERS AG & SEUN	AG 170005 SP	CEW 110234 <input checked="" type="checkbox"/>	PW540	106	95	127	90	90	95	86	98	104	76	84	-	Huidige Skrotumomvang 420mm
			AG 090289 <input checked="" type="checkbox"/>	DNA	0.41 78	11.0 74	-1.41 58	1.1 58	-1.0 44	18.2 68	32 50	-42 27	12.6 53	-18 53	-8 52	7	
				04.01.17	35	212	96				98	99	-	-	-	-	
41	DE VILLIERS AG & SEUN	AG 170216 SP	AG 130147 <input checked="" type="checkbox"/>	PW540	86	104	103	104	93	100	102	103	112	91	98	-	Huidige Skrotumomvang 380mm
			AG 140410 <input checked="" type="checkbox"/>	DNA	2.56 76	15.2 71	-0.32 45	4.8 48	2.0 34	21.4 66	105 36	-52 17	19.1 37	-6 38	11 37	-	
				09.09.17	36	254	94				98	97	-	-	-	-	
42	DE VILLIERS AG & SEUN	AG 170349 SP	JL 100198 <input checked="" type="checkbox"/>	PW540	96	111	115	105	107	113	113	109	109	109	109	-	Huidige Skrotumomvang 420mm
			AG 120200 <input checked="" type="checkbox"/>	DNA	1.49 77	18.5 73	-0.87 55	5.1 57	17.0 45	31.0 68	156 49	-65 25	16.5 52	9 52	27 51	-	
				04.10.17	36	242	102				108	111	-	-	-	-	

1.03	13.3	-0.20	3.8	10	21.7	96	-46	9.6	2	14
------	------	-------	-----	----	------	----	-----	-----	---	----


Lot 37 Huidige Skrotumomvang 380mm

<p>AG 170856 SPN Mat. 105</p> 	<p>AG 110192 SPN Mat. 103</p>	<p>AG 130214 SPN Mat. 102 Age/Calv. 6/5 Avg. WI/Calf 96/4</p>	<p>VV 070012 SPN Mat. 112 Gold</p>	<p>AG 030031 SPN Mat. 94 Age/Calv. 12/8 Avg. WI/Calf 99/8</p>	<p>JL 070323 SPN Mat. 104</p>	<p>AG 020147 SPN Mat. 123 Age/Calv. 13/11 Avg. WI/Calf 110/11</p>	<p>VV 040046 SPN Mat. 113 VV 040214 SPN Mat. 115 AG 990142 SPN Mat. 94 AG 980093 SPN Mat. 92 BHE 050156 SPN Mat. 78 EI 940254 SPN Mat. 146 AG 980200 SPN Mat. 100 AG 990256 SPN Mat. 137</p>


Lot 38 Huidige Skrotumomvang 400mm

<p>AG 170872 SPN Mat. 106</p> 	<p>AG 110192 SPN Mat. 103</p>	<p>AG 130081 SPN Mat. 102 Age/Calv. 7/5 Avg. WI/Calf 106/4</p>	<p>VV 070012 SPN Mat. 112 Gold</p>	<p>AG 030031 SPN Mat. 94 Age/Calv. 12/8 Avg. WI/Calf 99/8</p>	<p>AG 100247 SPN Mat. 100</p>	<p>AG 080350 SPN Mat. 94 Age/Calv. 11/9 Avg. WI/Calf 103/8</p>	<p>VV 040046 SPN Mat. 113 VV 040214 SPN Mat. 115 AG 990142 SPN Mat. 94 AG 980093 SPN Mat. 92 FCT 060109 SPN Mat. 119 AG 990119 SPN Mat. 85 AG 030181 SPN Mat. 74 AG 050217 SPN Mat. 98</p>


Lot 39 Huidige Skrotumomvang 390mm

<p>AG 170007 SPN Mat. 89</p> 	<p>AG 110192 SPN Mat. 103</p>	<p>AG 080418 SPN Mat. 74 Age/Calv. 10/9 Avg. WI/Calf 95/7</p>	<p>VV 070012 SPN Mat. 112 Gold</p>	<p>AG 030031 SPN Mat. 94 Age/Calv. 12/8 Avg. WI/Calf 99/8</p>	<p>AG 030205 SPN Mat. 84</p>	<p>AG 970197 SPN Mat. 72 Age/Calv. 15/13 Avg. WI/Calf 96/13</p>	<p>VV 040046 SPN Mat. 113 VV 040214 SPN Mat. 115 AG 990142 SPN Mat. 94 AG 980093 SPN Mat. 92 AG 980338 SPN Mat. 87 AG 960246 SPN Mat. 98 AG J 0008 SPN Mat. 88 AG 950003 SPN Mat. 70</p>


Lot 40 Huidige Skrotumomvang 420mm

<p>AG 170005 SPN Mat. 90</p> 	<p>CEW 110234 SPN Mat. 99</p>	<p>AG 090289 SPN Mat. 85 Age/Calv. 9/7 Avg. WI/Calf 93/6</p>	<p>CEW 080156 SPN Mat. 109</p>	<p>CEW 080220 SPN Mat. 91 Age/Calv. 10/8 Avg. WI/Calf 100/8</p>	<p>AG 040158 SPN Mat. 108</p>	<p>AG 060377 SPN Mat. 67 Age/Calv. 13/12 Avg. WI/Calf 96/11</p>	<p>LAR 040172 SPN Mat. 117 CEW 040033 SPN Mat. 99 WAT 050081 SPN Mat. 121 CEF 060077 SPN Mat. 98 AG 980338 SPN Mat. 87 AG 990187 SPN Mat. 115 HJB 030226 SPN Mat. 57 HJB 030501 SPN Mat. 112</p>

Lot 41 Huidige Skrotumomvang 380mm

<p>AG 170216 SPN Mat. 104</p> 	<p>AG 130147 SPN Mat. 102</p>	<p>AG 140410 SPN Mat. 97 Age/Calv. 4/2 Avg. WI/Calf 104/2</p>	<p>AG 080210 SPN Mat. 105</p>	<p>AG 100156 SPN Mat. 101 Age/Calv. 7/4 Avg. WI/Calf 106/3</p>	<p>AG 100069 SPN Mat. 111</p>	<p>AG 090113 SPN Mat. 95 Age/Calv. 5/4 Avg. WI/Calf 110/4</p>	<p>HJS 030016 SPN Mat. 97 BZ 020158 SPN Mat. 130 CSW 010014 SPN Mat. 95 AG 040166 SPN Mat. 94 AG 060027 SPN Mat. 92 AG 990243 SPN Mat. 136 AG 020127 SPN Mat. 81 WBB 060038 SPN Mat. 83</p>

Lot 42 Huidige Skrotumomvang 420mm

<p>AG 170349 SPN Mat. 105</p> 	<p>JL 100198 SPN Mat. 124</p>	<p>AG 120200 SPN Mat. 87 Age/Calv. 7/5 Avg. WI/Calf 96/4</p>	<p>AG 040310 SPN Mat. 119</p>	<p>EI 940254 SPN Mat. 146 Age/Calv. 18/13 Avg. WI/Calf 104/12</p>	<p>VV 080492 SPN Mat. 89</p>	<p>AG 090331 SPN Mat. 104 Age/Calv. 3/1 Avg. WI/Calf 114/1</p>	<p>AG 020251 SPN Mat. 120 AG 930063 SPN Mat. 101 CX N 0029 SPN Mat. 105 EI J 0262 SPN Mat. 117 VV 060054 SPN Mat. 103 VV 040282 SPN Mat. 101 CEF 040431 SPN Mat. 90 AG 020165 SPN Mat. 111</p>

Lot	Verkoper	ID POENA Gen	OUERS VADER GV OV MOEDER GV OV	Toets Genomies Getoets DNS Geb. dat.	DIREKTE KALF EIENSKAPPE					DOGTER EIENSKAPPE			GROEI		DOEL	REP	MATES	V:	Semen Gebruikers	Gebruiker Eie Opmerkings
					Nageslag Geboorte- gewig	Nageslag Speengewig	Gemak van Kalwing	Melk prod.	Volwas- se Gewig	Naspeen- gewig	Daaglikse Toename	Voer- omset	Hoogte & Lengte							
Teelwaarde indekse																				
					Geb Dir	Speen Dir		Geb Mat	Speen Mat	Volw Gew	Naspeen	GDT	VOV	SO	Hgt	Lgt	LHV	GGV	SGV	
					Akk	Akk		Akk	Akk	Akk	Akk	Akk	Akk	Akk	Akk	Akk				
					Gew kg	Gew kg	Ind	kg	kg	kg	365d Ind	540d Ind	Ind	Ind	(mm)	(mm)	(mm)			

BULLE

43	DE VILLIERS AG & SEUN	AG 170839	CRV 110394	NS540	96	111		105	119	90	113		105	97	108	105	110	-	Huidige Skrotumomvang 370mm	
			<input checked="" type="checkbox"/>			1.42	18.2		-0.42	9.2	-1.0	30.8		117	-41	15.7	6	28		-
			AG 090489	DNS	77	73		54	57	46	68		49	40	52	53	52	-		
		SP	<input checked="" type="checkbox"/>	31.10.17	34	255	110				119	119	-	-	-	-	49.4			
44	DE VILLIERS AG & SEUN	AG 170129	AG 130147	NS540	81	127		130	105	93	118		117	116	118	96	106	-	Huidige Skrotumomvang 350mm	
			<input checked="" type="checkbox"/>			3.10	25.7		-1.59	5.1	2.0	34.5		174	-79	24.0	-2	22		8.25
			AG 150056	DNS	76	71		45	48	32	66		35	20	37	38	37	-		
		SP	<input checked="" type="checkbox"/>	06.07.17	33	297	114				113	116	-	-	-	-	-			
45	DE VILLIERS AG & SEUN	AG 170174	AG 140141	NS540	116	98		101	97	91	90		101	101	103	93	100	-	Huidige Skrotumomvang 370mm	
			<input checked="" type="checkbox"/>			-0.67	12.4		-0.26	3.0	0.0	14.8		98	-48	12.1	-4	14		5.71
			AG 140596	DNS	76	71		48	49	35	66		37	17	39	40	39	-		
		SP	<input checked="" type="checkbox"/>	01.08.17	28	256	98				95	92	-	-	-	-	-			
46	DE VILLIERS AG & SEUN	AG 170193	AG 130456	NS540	112	99		109	109	89	98		101	101	97	93	104	-	Huidige Skrotumomvang 370mm	
			<input checked="" type="checkbox"/>			-0.21	12.9		-0.60	6.3	-2.0	20.0		102	-49	7.0	-4	20		7.56
			AG 140393	DNS	76	70		49	49	39	65		39	22	40	41	20	-		
		SP	<input checked="" type="checkbox"/>	17.08.17	31	273	104				98	99	-	-	-	-	-			
47	DE VILLIERS AG & SEUN	AG 170272	JL 100198	NS540	102	95		126	107	97	95		104	103	104	99	100	-	Huidige Skrotumomvang 370mm	
			<input checked="" type="checkbox"/>			0.79	11.2		-1.40	5.8	6.0	18.3		115	-52	13.1	1	14		-
			AG 120292	DNS	77	73		56	58	47	68		50	25	53	53	52	-		
		SP	<input checked="" type="checkbox"/>	26.09.17	34	222	93				93	95	-	-	-	-	44.2			
48	DE VILLIERS AG & SEUN	AG 170935	BBP 130257	NS540	105	102		129	101	101	103		108	100	116	104	102	-	Huidige Skrotumomvang 400mm	
			<input checked="" type="checkbox"/>			0.53	14.1		-1.53	4.1	10.0	23.9		133	-46	22.1	5	17		-
			AG 060227	DNS	79	63		56	55	39	56		46	31	51	51	50	-		
		SP	<input checked="" type="checkbox"/>	15.11.17	30	331	96				100	100	-	-	-	-	-			

BONSMARA BEESTENLEGGINGSVANSAK VAN SA

Saamgestel deur die Suid-Afrikaanse Stamboek- en Veeverbeteringsvereniging

Veilingsdatum: 08/04/2020
Data soos op 11/03/2020 10:14:22

Lot 43 Huidige Skrotumomvang 370mm

AG 170839 SPN Mat. 119

CRV 110394 SPN Mat. 124
Brons

AG 090489 Elite-Silwer

OEK 24 SPN Mat. 116
TKP 375 Oud/Kalw. 8/6
RI 119 Gem. Si/Kalf 106/6

WBB 060002 SPN Mat. 84
AG 020103 SPN Mat. 108
VZF 010110 SPN Mat. 118
JBR 030036 SPN Mat. 100
FCT 040101 SPN Mat. 89
FCT 980024 SPN Mat. 112
AG 010245 SPN Mat. 69
AG 990047 SPN Mat. 85

OEK 30 SPN Mat. 127
TKP 361 Oud/Kalw. 6/5
Gem. Si/Kalf 109/5

FCT 060109 SPN Mat. 119

AG 060060 SPN Mat. 94
OEK 32 Oud/Kalw. 6/4
TKP 356 Gem. Si/Kalf 104/4

Lot 44 Huidige Skrotumomvang 350mm

AG 170129 SPN Mat. 105

AG 130147 SPN Mat. 102

AG 150056 SPN Mat. 114
OEK 29 Oud/Kalw. 4/2
TKP 456 Gem. Si/Kalf 105/2
RI 107

AG 080210 SPN Mat. 97
BZ 020158 SPN Mat. 130
CSW 010014 SPN Mat. 95
AG 040166 SPN Mat. 94
AG 070742 SPN Mat. 78
AG 080719 SPN Mat. 96
AG 050085 SPN Mat. 82
AG 990261 SPN Mat. 92

OEK 36 SPN Mat. 101
TKP 486 Oud/Kalw. 7/4
Gem. Si/Kalf 106/3

AG 100156 SPN Mat. 105

AG 120070 SPN Mat. 98
OEK 35 Oud/Kalw. 10/7
TKP 436 Gem. Si/Kalf 101/5

AG 090738 SPN Mat. 116

Lot 45 Huidige Skrotumomvang 370mm

AG 170174 SPN Mat. 97

AG 140141 SPN Mat. 93

AG 140596 SPN Mat. 102
OEK 33 Oud/Kalw. 5/3
TKP 404 Gem. Si/Kalf 101/2
RI 103

AG 080210 SPN Mat. 105

AG 090377 SPN Mat. 91
OEK 25 Oud/Kalw. 9/7
TKP 421 Gem. Si/Kalf 100/7

AG 090751 SPN Mat. 108

AG 090640 SPN Mat. 99
OEK 36 Oud/Kalw. 7/5
TKP 377 Gem. Si/Kalf 100/5

HJS 030016 SPN Mat. 97
BZ 020158 SPN Mat. 130
AJF 040075 SPN Mat. 119
AG 030387 SPN Mat. 74
CEF 040431 SPN Mat. 90
AG 980250 SPN Mat. 127
JJ 040198 SPN Mat. 88
AG 980564 SPN Mat. 119

Lot 46 Huidige Skrotumomvang 370mm

AG 170193 SPN Mat. 109

AG 130456 SPN Mat. 99

AG 140393 SPN Mat. 120
OEK 34 Oud/Kalw. 5/3
TKP 398 Gem. Si/Kalf 107/2
RI 103

AG 080204 SPN Mat. 120
AG 010239 SPN Mat. 90
AG 020251 SPN Mat. 120
AG 950095 SPN Mat. 85
FCT 060109 SPN Mat. 119
AG 030203 SPN Mat. 87
AG 050263 SPN Mat. 116
AG 990183 SPN Mat. 92

OEK 22 SPN Mat. 87
TKP 372 Oud/Kalw. 14/13
Gem. Si/Kalf 100/13

AG 040418 SPN Mat. 123

AG 110061 SPN Mat. 116
Elite-Brons
AG 110011 SPN Mat. 8/6
OEK 34 Oud/Kalw. 8/6
TKP 387 Gem. Si/Kalf 104/5

Lot 47 Huidige Skrotumomvang 370mm

AG 170272 SPN Mat. 107

JL 100198 SPN Mat. 124

AG 120292 SPN Mat. 90
OEK 35 Oud/Kalw. 6/4
TKP 378 Gem. Si/Kalf 96/4
RI 105

AG 040310 SPN Mat. 120
AG 930063 SPN Mat. 101
CX N 0029 SPN Mat. 105
EI J 0262 SPN Mat. 117
LAR 030312 SPN Mat. 104
AG 040285 SPN Mat. 70
CEF 040431 SPN Mat. 90
AG 040246 SPN Mat. 102

OEK 30 SPN Mat. 146
TKP 473 Oud/Kalw. 18/13
Gem. Si/Kalf 104/12

AG 070299 SPN Mat. 91

AG 090486 SPN Mat. 85
OEK 35 Oud/Kalw. 9/7
TKP 370 Gem. Si/Kalf 97/7

EI 940254 SPN Mat. 105

Lot 48 Huidige Skrotumomvang 400mm

AG 170935 SPN Mat. 101

BBP 130257 SPN Mat. 118

AG 060227 SPN Mat. 86
OEK 26 Oud/Kalw. 13/12
TKP 364 Gem. Si/Kalf 99/11
RI 117

WBB 060002 SPN Mat. 84
AG 020103 SPN Mat. 108
WBB 060002 SPN Mat. 105
HJB 990288 SPN Mat. 127
AG 000264 SPN Mat. 77
AG 990119 SPN Mat. 85
RCO 980035 SPN Mat. 66
AG 950083 SPN Mat. 94

OEK 28 SPN Mat. 130
TKP 435 Oud/Kalw. 8/5
Gem. Si/Kalf 104/5

CRV 110122 SPN Mat. 81

AG 020127 SPN Mat. 92
OEK 23 Oud/Kalw. 15/13
TKP 412 Gem. Si/Kalf 100/13

AG 030228 SPN Mat. 94

Lot	Seller	ID POLLED Gen	PARENTS		Test Genomic Tested DNA Birth Date	Breeding Value Indexes					GROWTH					EFF.	REP	MEASURE- MENTS	R:	Semen Users	Breeder Own Remarks
			SIRE GV PV	DAM GV PV		Birth Dir Acc	Wean Dir Acc	Birth Mat Acc	Wean Mat Acc	Mat Wgt Acc	Post Wean Acc	ADG Acc	FCR Acc	SC Acc	Hgt Acc	Lgt Acc	Post Wean Weight	Daily Gain	Feed Conv		
						365d Ind	540d Ind														


BULLS

49	DE VILLIERS AG & SEUN	AG 170821 SP	AG 130115 <input checked="" type="checkbox"/>	PW540	123	87	107	95	87	94	97	97	96	94	99	-	Huidige Skrotumomvang 400mm
			AG 150284 <input checked="" type="checkbox"/>	DNA	-1.42 76	7.4 71	-0.53 51	2.6 51	-5.0 33	17.8 67	83 33	-39 22	6.2 35	-3 35	13 35	-	
				28.10.17	29	207	98				92	103	-	-	-	-	
50	DE VILLIERS AG & SEUN	AG 170848 SP	AG 110231 <input checked="" type="checkbox"/>	PW540	95	98	104	97	110	103	110	104	102	93	100	-	Huidige Skrotumomvang 380mm
			AG 040442 <input checked="" type="checkbox"/>	DNA	1.56 79	12.2 76	-0.40 62	2.9 64	21.0 55	23.8 70	143 53	-55 38	11.1 56	-4 57	14 56	-	
				01.11.17	34	288	95				95	92	-	-	-	-	
51	DE VILLIERS AG & SEUN	AG 170825 SP	AG 140299 <input checked="" type="checkbox"/>	PW540	94	122	119	94	117	112	113	109	118	106	117	-	Huidige Skrotumomvang 390mm
			AG 050326 <input checked="" type="checkbox"/>	DNA	1.63 78	23.2 71	-1.05 49	2.2 52	28.0 41	30.1 65	155 40	-66 23	24.2 42	6 43	37 42	-	
				29.10.17	34	349	118				99	103	-	-	-	-	
52	DE VILLIERS AG & SEUN	AG 170920 SP	AG 130334 <input checked="" type="checkbox"/>	PW540	105	104	113	101	95	106	116	102	107	103	114	-	Huidige Skrotumomvang 390mm
			AG 130266 <input checked="" type="checkbox"/>	DNA	0.46 76	15.3 72	-0.78 49	4.2 51	4.0 41	25.6 68	170 38	-51 21	14.9 40	4 40	34 39	-	
				12.11.17	36	215	104				106	98	-	-	-	-	
53	DE VILLIERS AG & SEUN	AG 170364 SP	AG 130312 <input checked="" type="checkbox"/>	PW540	110	107	118	97	100	101	105	106	107	98	103	-	Huidige Skrotumomvang 370mm
			AG 150162 <input checked="" type="checkbox"/>	DNA	-0.09 75	16.5 69	-1.04 46	3.1 45	10.0 31	22.6 66	121 35	-58 19	15.3 39	0 39	19 38	-	
				06.10.17	29	265	113				98	109	-	-	-	-	
54	DE VILLIERS AG & SEUN	AG 170148 SP	AG 130312 <input checked="" type="checkbox"/>	PW540	115	98	99	98	111	94	105	108	97	102	103	-	Huidige Skrotumomvang 380mm
			AG 140230 <input checked="" type="checkbox"/>	DNA	-0.59 75	12.5 70	-0.17 47	3.1 48	21.0 37	17.4 66	121 38	-62 22	7.2 41	3 42	18 41	6.36	
				16.07.17	28	259	99				104	98	-	-	-	-	

Lot 49 Huidige Skrotumomvang 400mm

AG 170821 SPN Mat. 95

AG 130115 SPN Mat. 98



AG 150284

AFC 27 SPN Mat. 91
ICP 367 Age/Calv. 4/3
RI 117 Avg. WI/Calf 100/2

MCU 070007 P SPN Mat. 96

MCU 100005 P

AFC 38 SPN Mat. 108
ICP 400 Age/Calv. 10/7
Avg. WI/Calf 103/7

LMR 080164 SPN Mat. 107

AG 120234

AFC 34 SPN Mat. 84
ICP 509 Age/Calv. 7/4
Avg. WI/Calf 93/3

JPL 040139 P SPN Mat. 80

MCU 030040 P SPN Mat. 134

MCU 060034 P SPN Mat. 123

MCU 050023 SPN Mat. 77

AG 020338 SPN Mat. 111

LMR 040059 SPN Mat. 110


AG 080182 SPN Mat. 94

AG 080281 SPN Mat. 93

Lot 50 Huidige Skrotumomvang 380mm

AG 170848 SPN Mat. 97

AG 110231 SPN Mat. 81



AG 040442 Elite-Gold

AFC 22 SPN Mat. 106
ICP 374 Age/Calv. 15/14
RI 117 Avg. WI/Calf 103/13

AG 070745 SPN Mat. 96

AG 070467

AFC 34 SPN Mat. 107
ICP 370 Age/Calv. 10/8
Avg. WI/Calf 104/8

AG 020145 SPN Mat. 90
Gold

AG 970190

AFC 25 SPN Mat. 101
ICP 387 Age/Calv. 15/13
Avg. WI/Calf 102/13

WAT 030085 SPN Mat. 101

AG 030221 SPN Mat. 112

LAR 030312 SPN Mat. 104

AG 040150 SPN Mat. 110

AG 980338 SPN Mat. 87

AG 950012 SPN Mat. 120


JRB H 0157 SPN Mat. 99

AG 920017 SPN Mat. 79

Lot 51 Huidige Skrotumomvang 390mm

AG 170825 SPN Mat. 94

AG 140299 SPN Mat. 94



AG 050326

AFC 24 SPN Mat. 98
ICP 449 Age/Calv. 13/10
RI 103 Avg. WI/Calf 107/8

AG 110038 SPN Mat. 89

AG 080724

AFC 24 SPN Mat. 102
ICP 440 Age/Calv. 9/7
Avg. WI/Calf 104/5

AG 030201 SPN Mat. 97

AG 970096

AFC 28 SPN Mat. 101
ICP 424 Age/Calv. 14/11
Avg. WI/Calf 102/11

AG 060027 SPN Mat. 92

AG 060106 SPN Mat. 95

WAT 030085 SPN Mat. 101

AG 030216 SPN Mat. 104

AG 980338 SPN Mat. 87

AG 950201 SPN Mat. 116


AG 920282 SPN Mat. 113

AG N 0047 SPN Mat. 95

Lot 52 Huidige Skrotumomvang 390mm

AG 170920 SPN Mat. 101

AG 130334 SPN Mat. 87



AG 130266

AFC 26 SPN Mat. 113
ICP 364 Age/Calv. 5/4
RI 119 Avg. WI/Calf 108/4

AG 110231 SPN Mat. 81

AG 110065

AFC 30 SPN Mat. 103
ICP 369 Age/Calv. 9/7
Avg. WI/Calf 106/6

AG 110061 SPN Mat. 123

AG 110431

AFC 23 SPN Mat. 93
ICP 391 Age/Calv. 5/4
Avg. WI/Calf 96/3

AG 070745 SPN Mat. 96

AG 070467 SPN Mat. 107

AG 060027 SPN Mat. 92

AG 990135 SPN Mat. 118

AG 980338 SPN Mat. 119

AG 030203 SPN Mat. 87


PAD 070100 SPN Mat. 105

AG 990301 SPN Mat. 107

Lot 53 Huidige Skrotumomvang 370mm

AG 170364 SPN Mat. 97

AG 130312 SPN Mat. 100



AG 150162

AFC 31 SPN Mat. 98
ICP 380 Age/Calv. 5/3
RI 109 Avg. WI/Calf 111/2

AG 080249 SPN Mat. 109

AG 090122

AFC 26 SPN Mat. 94
ICP 374 Age/Calv. 10/9
Avg. WI/Calf 100/8

AG 110215 SPN Mat. 97

AG 090336

AFC 35 SPN Mat. 86
ICP 449 Age/Calv. 5/3
Avg. WI/Calf 100/3

EI 940339 SPN Mat. 117

AG 060044 SPN Mat. 87

CEW 060021 SPN Mat. 103

LMR 050132 SPN Mat. 107

VV 070012 SPN Mat. 112

AG 020297 SPN Mat. 90


AG 030205 SPN Mat. 84

AG 000214 SPN Mat. 94

Lot 54 Huidige Skrotumomvang 380mm

AG 170148 SPN Mat. 98

AG 130312 SPN Mat. 100



AG 140230 Elite-Gold

AFC 38 SPN Mat. 97
ICP 403 Age/Calv. 5/3
RI 95 Avg. WI/Calf 101/2

AG 080249 SPN Mat. 109

AG 090122

AFC 26 SPN Mat. 94
ICP 374 Age/Calv. 10/9
Avg. WI/Calf 100/8

TOR 050216 SPN Mat. 108

AG 030149

AFC 24 SPN Mat. 86
ICP 393 Age/Calv. 11/9
Avg. WI/Calf 99/9

EI 940339 SPN Mat. 117

AG 060044 SPN Mat. 87

CEW 060021 SPN Mat. 103

LMR 050132 SPN Mat. 107

AG 010051 SPN Mat. 107

RAI 020013 SPN Mat. 109

AG 980338 SPN Mat. 87

AG 950103 SPN Mat. 109

Lot	Verkoper	ID POENA Gen	OUERS VADER GV OV MOEDER GV OV	Toets Genomies Getoets DNS Geb. dat.	DIREKTE KALF EIENSKAPPE					DOGTER EIENSKAPPE			GROEI		DOEL	REP	MATES	V:	Semen Gebruikers	Gebruiker Eie Opmerkings
					Nageslag Geboorte- gewig	Nageslag Speengewig	Gemak van Kalwing	Melk prod.	Volwas- se Gewig	Naspeen- gewig	Daaglikse Toename	Voer- omset	Hoogte & Lengte							
Teelwaarde indekse																				
		Geb Dir	Speen Dir	Geb Mat	Speen Mat	Volw Gew	Naspeen	GDT	VOV	SO	Hgt	Lgt	LHV	GGV	SGV					
		Akk	Akk	Akk	Akk	Akk	Akk	Akk	Akk	Akk	Akk	Akk	Akk	Akk	Akk	Akk	Akk	Akk	Akk	
		Gew kg	Gew kg	Ind	kg	kg	kg	365d Ind	540d Ind	Ind	Ind	(mm)	(mm)	(mm)						

BULLE

55	DE VILLIERS AG & SEUN	AG 170234 SP	AG 130115 <input checked="" type="checkbox"/>	NS540	102	105	103	97	95	105	106	99	103	97	108	-	Huidige Skrotumomvang 410mm
			AG 150102 <input checked="" type="checkbox"/>	DNS	0.84 76	15.4 71	-0.36 51	2.9 52	4.0 35	25.1 68	121 36	-45 20	12.3 37	0 37	25 37	-	
				20.09.17	35	266	110			94	100	-	-	-	-	-	
56	DE VILLIERS AG & SEUN	AG 170903 SP	AG 130334 <input checked="" type="checkbox"/>	NS540	95	106	110	93	98	107	112	101	106	100	109	-	Huidige Skrotumomvang 350mm
			AG 130121 <input checked="" type="checkbox"/>	DNS	1.59 77	16.1 72	-0.65 51	1.8 51	7.0 40	26.7 68	153 37	-49 21	14.5 39	2 40	27 39	-	
				09.11.17	34	201	97			99	101	-	-	-	-	43.9	
57	DE VILLIERS AG & SEUN	AG 170170 SP	AG 120225 <input checked="" type="checkbox"/>	NS540	99	102	98	106	95	105	105	105	110	97	101	-	Huidige Skrotumomvang 380mm
			AG 140353 <input checked="" type="checkbox"/>	DNS	1.11 76	14.3 71	-0.11 50	5.4 53	5.0 37	25.3 68	117 40	-57 20	17.7 42	-1 42	16 41	7.16	
				29.07.17	34	252	94			94	97	-	-	-	-	-	
58	DE VILLIERS AG & SEUN	AG 171065 SP	AG 140046 <input checked="" type="checkbox"/>	NS540	87	115	101	99	111	116	106	105	107	103	105	-	Huidige Skrotumomvang 400mm
			AG 130540 <input checked="" type="checkbox"/>	DNS	2.44 76	20.0 70	-0.23 46	3.6 49	21.0 37	32.8 62	125 29	-57 17	14.8 31	4 31	22 30	-	
				31.12.17	36	223	108			114	97	-	-	-	-	43.7	
59	DE VILLIERS AG & SEUN	AG 171070 SP	AG 110215 <input checked="" type="checkbox"/>	NS540	100	106	115	114	101	123	117	111	112	111	111	-	Huidige Skrotumomvang 390mm
			VV 100004 <input checked="" type="checkbox"/>	DNS	1.05 79	15.8 75	-0.86 58	7.7 59	11.0 46	37.8 68	176 48	-68 35	19.1 51	11 52	30 51	-	
				31.12.17	36	193	91			116	111	-	-	-	-	-	
60	DE VILLIERS AG & SEUN	AG 170366 SP	AG 110215 <input checked="" type="checkbox"/>	NS540	98	114	133	100	115	116	123	115	120	105	114	-	Huidige Skrotumomvang 390mm
			AG 100734 <input checked="" type="checkbox"/>	DNS	1.26 77	19.8 73	-1.69 58	3.9 58	26.0 46	32.6 70	203 47	-77 32	25.3 50	5 51	34 50	-	
				06.10.17	33	253	109			108	107	-	-	-	-	45.5	

BONASIA BEESTELERSGENOOTSAP VAN SA

Saamgestel deur die Suid-Afrikaanse Stamboek- en Veeverbeteringsvereniging


Veilingsdatum: 08/04/2020
Data soos op 11/03/2020 10:14:31

Lot 55 Huidige Skrotumomvang 410mm

AG 170234
SPN Mat. 97

OEK 31 SPN Mat. 100
TKP 388 Oud/Kalw. 5/3
RI 108 Gem. SI/Kalf 102/2

AG 130115
SPN Mat. 98



JPL 040139 P
SPN Mat. 80
MCU 030040 P
SPN Mat. 134
MCU 060034 P
SPN Mat. 123
MCU 050023
SPN Mat. 77
AG 060027
SPN Mat. 92
AG 990243
SPN Mat. 136
AG 040077
SPN Mat. 77
AG 040133
SPN Mat. 88

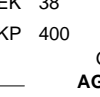
MCU 070007 P
SPN Mat. 96

MCU 100005 P
OEK 38 SPN Mat. 108
TKP 400 Oud/Kalw. 10/7
Gem. SI/Kalf 103/7

AG 100069
SPN Mat. 111

AG 090364
OEK 36 SPN Mat. 69
TKP 485 Oud/Kalw. 7/4
Gem. SI/Kalf 91/4

AG 150102




AG 070745
SPN Mat. 96
AG 070467
SPN Mat. 107
AG 060027
SPN Mat. 92
AG 990135
SPN Mat. 118
AG 030029
SPN Mat. 65
AG 030347
SPN Mat. 85
AG 060065
SPN Mat. 105
AG 060183
SPN Mat. 111

Lot 56 Huidige Skrotumomvang 350mm

AG 170903
SPN Mat. 93

OEK 29 SPN Mat. 97
TKP 370 Oud/Kalw. 7/5
RI 113 Gem. SI/Kalf 104/4

AG 130334
SPN Mat. 87



AG 110231
SPN Mat. 81

AG 110065
OEK 30 SPN Mat. 103
TKP 369 Oud/Kalw. 9/7
Gem. SI/Kalf 106/6

AG 080407
SPN Mat. 71


AG 080701
OEK 36 SPN Mat. 112
TKP 428 Oud/Kalw. 10/7
Gem. SI/Kalf 102/6

AG 120225
SPN Mat. 108

OEK 26 SPN Mat. 99
TKP 424 Oud/Kalw. 15/12
Gem. SI/Kalf 102/11

AG 040141
SPN Mat. 92
AG 020201
SPN Mat. 67
VV 030346
SPN Mat. 115
HCO 090044
SPN Mat. 111
AG 080263
OEK 26 SPN Mat. 99
TKP 381 Oud/Kalw. 10/9
Gem. SI/Kalf 100/8

AG 140353




LAR 020101
SPN Mat. 95
LAR 980130
SPN Mat. 114
AG 000100
SPN Mat. 92
AG 020201
SPN Mat. 67
VV 030346
SPN Mat. 115
HJB 060044
SPN Mat. 94
AG 060160
SPN Mat. 95
AG 060118
SPN Mat. 97

Lot 57 Huidige Skrotumomvang 380mm

AG 170170
SPN Mat. 106

OEK 33 SPN Mat. 98
TKP Oud/Kalw. 3/1
RI 99 Gem. SI/Kalf 94/1

AG 120225
SPN Mat. 108




LAR 060034
SPN Mat. 114

AG 040141
SPN Mat. 92
AG 020201
SPN Mat. 67
VV 030346
SPN Mat. 115
HCO 090044
SPN Mat. 111
AG 080263
OEK 26 SPN Mat. 99
TKP 381 Oud/Kalw. 10/9
Gem. SI/Kalf 100/8

AG 110215
SPN Mat. 97

OEK 30 SPN Mat. 121
TKP 433 Oud/Kalw. 10/7
RI 103 Gem. SI/Kalf 106/6

AG 110215
SPN Mat. 97




VV 070012
SPN Mat. 113
VV 040214
SPN Mat. 115
AG 960184
SPN Mat. 114
AG 930179
SPN Mat. 75
VV 030346
SPN Mat. 115
VV 010326 P
SPN Mat. 120
VV 960318
SPN Mat. 77
VV 950225
SPN Mat. 123

Lot 58 Huidige Skrotumomvang 400mm

AG 171065
SPN Mat. 99

OEK 26 SPN Mat. 100
TKP 368 Oud/Kalw. 5/4
RI 118 Gem. SI/Kalf 103/3

AG 140046
SPN Mat. 98



AG 100080
SPN Mat. 111

AG 100783
OEK 38 SPN Mat. 94
TKP 429 Oud/Kalw. 9/6
Gem. SI/Kalf 103/5


GZV 100249
SPN Mat. 88

AG 090554
OEK 36 SPN Mat. 114
TKP 470 Oud/Kalw. 8/5
Gem. SI/Kalf 110/5

AG 110215
SPN Mat. 97

OEK 35 SPN Mat. 108
TKP 365 Oud/Kalw. 8/6
RI 109 Gem. SI/Kalf 101/6

AG 110215
SPN Mat. 97




VV 070012
SPN Mat. 112
Goud Elite-Goud
AG 020297
SPN Mat. 114
AG 930179
SPN Mat. 75
VV 030346
SPN Mat. 115
VV 010326 P
SPN Mat. 120
VV 960318
SPN Mat. 77
VV 950225
SPN Mat. 123

Lot 59 Huidige Skrotumomvang 390mm

AG 171070
SPN Mat. 114

OEK 30 SPN Mat. 121
TKP 433 Oud/Kalw. 10/7
RI 103 Gem. SI/Kalf 106/6

AG 110215
SPN Mat. 97



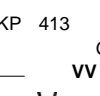
VV 070012
SPN Mat. 113
VV 040214
SPN Mat. 115
AG 960184
SPN Mat. 114
AG 930179
SPN Mat. 75
VV 030346
SPN Mat. 115
VV 010326 P
SPN Mat. 120
VV 960318
SPN Mat. 77
VV 950225
SPN Mat. 123

VV 070012
SPN Mat. 112
Goud Elite-Goud
AG 020297
OEK 23 SPN Mat. 90
TKP 413 Oud/Kalw. 11/9
Gem. SI/Kalf 108/9

VV 060403 P
SPN Mat. 120
Goud

VV 010045
OEK 29 SPN Mat. 99
TKP 398 Oud/Kalw. 9/7
Gem. SI/Kalf 97/7

VV 100004




VV 040046
SPN Mat. 113
VV 040214
SPN Mat. 115
AG 960184
SPN Mat. 114
AG 930179
SPN Mat. 75
VV 030346
SPN Mat. 115
VV 010326 P
SPN Mat. 120
VV 960318
SPN Mat. 77
VV 950225
SPN Mat. 123

Lot 60 Huidige Skrotumomvang 390mm

AG 170366
SPN Mat. 100

OEK 35 SPN Mat. 108
TKP 365 Oud/Kalw. 8/6
RI 109 Gem. SI/Kalf 101/6

AG 110215
SPN Mat. 97

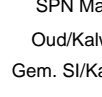


VV 070012
SPN Mat. 112
Goud Elite-Goud
AG 020297
SPN Mat. 114
AG 930179
SPN Mat. 75
VV 030346
SPN Mat. 115
VV 010326 P
SPN Mat. 120
VV 960318
SPN Mat. 77
VV 950225
SPN Mat. 123

AG 110215
SPN Mat. 97

OEK 25 SPN Mat. 123
TKP 404 Oud/Kalw. 13/11
Gem. SI/Kalf 110/11

AG 100734



VV 070012
SPN Mat. 112
Goud Elite-Goud
AG 020297
SPN Mat. 114
AG 930179
SPN Mat. 75
VV 030346
SPN Mat. 115
VV 010326 P
SPN Mat. 120
VV 960318
SPN Mat. 77
VV 950225
SPN Mat. 123


Lot	Seller	ID POLLED Gen	PARENTS		Test	Breeding Value Indexes											LHR BWR WWR	Semen Users	Breeder Own Remarks
			SIRE GV PV	DAM GV PV		Genomic Tested DNA	Birth Dir Acc	Wean Dir Acc	Birth Mat Acc	Wean Mat Acc	Mat Wgt Acc	Post Wean Acc	ADG Acc	FCR Acc	SC Acc	Hgt Acc			
						Birth Date	Wgt kg	Wgt kg	Ind	kg	kg	kg	365d Ind	540d Ind	Ind	Ind	(mm)	(mm)	(mm)

BULLS


61	DE VILLIERS AG & SEUN	AG 170146 SP	AG 140141 <input checked="" type="checkbox"/>	PW540	106	111	115	87	90	101	107	108	109	95	102	-	Huidige Skrotumomvang 370mm
			AG 140449 <input checked="" type="checkbox"/>	DNA	0.35 75	18.4 70	-0.87 45	0.3 47	-1.0 34	22.1 66	126 38	-63 17	17.0 40	-2 41	16 40	7.5	
				15.07.17	30	289	111				104	102	-	-	-	-	
62	DE VILLIERS AG & SEUN	AG 171039 SP	AG 130115 <input checked="" type="checkbox"/>	PW540	104	102	102	94	99	106	107	103	101	93	104	-	Huidige Skrotumomvang 360mm
			AG 140291 <input checked="" type="checkbox"/>	DNA	0.63 77	14.3 70	-0.27 53	2.3 55	9.0 39	25.7 56	126 36	-52 20	10.6 37	-4 37	19 37	-	
				14.12.17	34	229	104				94	117	-	-	-	-	
63	DE VILLIERS AG & SEUN	RHJ 170002 SP	AG 120720 <input checked="" type="checkbox"/>	PW540	106	96	118	111	87	92	97	96	109	89	97	-	Huidige Skrotumomvang 440mm
			AG 110058 <input checked="" type="checkbox"/>	DNA	0.37 78	11.3 74	-1.00 56	6.9 57	-4.0 40	16.3 68	83 39	-38 20	16.4 41	-7 41	10 40	6.92	
				15.01.17	36	206	94				93	93	-	-	-	-	
64	DE VILLIERS AG & SEUN	AG 170008 SP	AG 100438 <input checked="" type="checkbox"/>	PW540	104	94	110	108	81	86	99	100	110	100	106	-	Huidige Skrotumomvang 380mm
			AG 130234 <input checked="" type="checkbox"/>	DNA	0.56 76	10.4 71	-0.65 51	6.1 51	-11.0 39	11.8 67	92 44	-45 26	17.6 47	2 48	22 46	8.18	
				07.01.17	36	237	109				101	103	-	-	-	-	
65	DE VILLIERS AG & SEUN	AG 170042 SP	ADV 070154 <input checked="" type="checkbox"/>	PW540	96	96	94	101	95	97	108	104	97	93	100	-	Huidige Skrotumomvang 380mm
			AG 100450 <input checked="" type="checkbox"/>	DNA	1.42 78	11.4 74	0.10 59	4.1 61	4.0 50	19.5 69	134 52	-55 33	7.3 54	-4 55	14 54	6.8	
				11.02.17	34	221	102				95	97	-	-	-	-	
66	DE VILLIERS AG & SEUN	GZV 120062 SP	AG 090483 <input checked="" type="checkbox"/>	GTg	106	84	87	121	71	82	92	97	95	81	92	1.19	Huidige Skrotumomvang 370mm
			AG 080251 <input checked="" type="checkbox"/>	DNA	0.37 96	6.2 93	0.42 65	9.6 64	-22.0 48	8.9 84	60 67	-41 31	5.8 74	-14 76	3 73	7.17	
				07.10.12	38	277	100				-		97	-	337	1145	

1.03	13.3	-0.20	3.8	10	21.7	96	-46	9.6	2	14
------	------	-------	-----	----	------	----	-----	-----	---	----


Lot 61 Huidige Skrotumomvang 370mm

<p>AG 170146 SPN Mat. 87</p> <p>AFC 32 ICP RI 104</p>	<p>AG 140141 SPN Mat. 93</p>  <p>AG 140449 SPN Mat. 91 Age/Calv. 3/1 Avg. WI/Calf 111/1</p>	<p>AG 080210 SPN Mat. 105</p> <p>AFC 25 ICP 421</p>	<p>AG 090377 SPN Mat. 91 Age/Calv. 9/7 Avg. WI/Calf 100/7</p> <p>AG 080409 SPN Mat. 68</p> <p>AFC 34 ICP 396</p>	<p>HJS 030016 SPN Mat. 97 BZ 020158 SPN Mat. 130 AJF 040075 SPN Mat. 119 AG 030387 SPN Mat. 74 LAR 030398 SPN Mat. 71 AG 020165 SPN Mat. 111 AG 070249 SPN Mat. 86 AG 080288 SPN Mat. 96</p>
--	--	--	--	--


Lot 62 Huidige Skrotumomvang 360mm

<p>AG 171039 SPN Mat. 94</p> <p>AFC 26 ICP 356 RI 119</p>	<p>AG 130115 SPN Mat. 98</p>  <p>AG 140291 SPN Mat. 93 Age/Calv. 5/4 Avg. WI/Calf 100/3</p>	<p>MCU 070007 P SPN Mat. 96</p> <p>AFC 38 ICP 400</p>	<p>MCU 100005 P SPN Mat. 108 Age/Calv. 10/7 Avg. WI/Calf 103/7</p> <p>AG 080454 SPN Mat. 87</p> <p>AFC 36 ICP 364</p>	<p>JPL 040139 P SPN Mat. 80 MCU 030040 P SPN Mat. 134 MCU 060034 P SPN Mat. 123 MCU 050023 SPN Mat. 77 LAR 030398 SPN Mat. 71 AG 990115 SPN Mat. 120 AG 070138 SPN Mat. 106 AG 010195 SPN Mat. 98</p>
--	--	--	---	---


Lot 63 Huidige Skrotumomvang 440mm

<p>RHJ 170002 SPN Mat. 111</p> <p>AFC 31 ICP 374 RI 112</p>	<p>AG 120720 SPN Mat. 107</p>  <p>AG 110058 SPN Mat. 116 Age/Calv. 9/7 Avg. WI/Calf 98/6</p>	<p>LAR 060034 SPN Mat. 114</p> <p>AFC 36 ICP 457</p>	<p>AG 080845 SPN Mat. 106 Age/Calv. 7/4 Avg. WI/Calf 107/2</p> <p>FCT 060109 SPN Mat. 119</p> <p>AFC 33 ICP 438</p>	<p>LAR 020101 SPN Mat. 95 LAR 980130 SPN Mat. 114 MMJ 030052 SPN Mat. 118 AG 990322 SPN Mat. 95 FCT 040101 SPN Mat. 89 FCT 980024 SPN Mat. 112 JJF 950071 SPN Mat. 127 FDEV950085 SPN Mat. 87</p>
--	---	---	---	---


Lot 64 Huidige Skrotumomvang 380mm

<p>AG 170008 SPN Mat. 108</p> <p>AFC 26 ICP 414 RI 117</p>	<p>AG 100438 SPN Mat. 110</p>  <p>AG 130234 SPN Mat. 111 Age/Calv. 3/2 Avg. WI/Calf 106/2</p>	<p>CSW 010014 SPN Mat. 95</p> <p>AFC 30 ICP 403</p>	<p>AG 990115 SPN Mat. 120 Age/Calv. 14/11 Avg. WI/Calf 102/11</p> <p>LMR 080164 SPN Mat. 107</p> <p>AFC 23 ICP</p>	<p>BG 960125 SPN Mat. 100 CSW 980048 SPN Mat. 113 AG 920046 SPN Mat. 123 AG 900105 SPN Mat. 103 AG 020338 SPN Mat. 111 LMR 040059 SPN Mat. 110 AG 080249 SPN Mat. 109 AG 090351 SPN Mat. 91</p>
---	--	--	--	---

Lot 65 Huidige Skrotumomvang 380mm

<p>AG 170042 SPN Mat. 101</p> <p>AFC 34 ICP 382 RI 108</p>	<p>ADV 070154 SPN Mat. 109</p>  <p>AG 100450 SPN Mat. 97 Age/Calv. 9/7 Avg. WI/Calf 100/6</p>	<p>LAR 030398 SPN Mat. 71</p> <p>AFC 31 ICP 377</p>	<p>ADV 030008 SPN Mat. 126 Age/Calv. 16/13 Avg. WI/Calf 107/11</p> <p>AG 060401 SPN Mat. 78</p> <p>AFC 38 ICP 424</p>	<p>LAR 010297 SPN Mat. 71 LAR 990031 SPN Mat. 86 AG 980338 SPN Mat. 87 AG 990103 SPN Mat. 105 AG 010245 SPN Mat. 69 AG 960278 SPN Mat. 97 AG 920094 SPN Mat. 119 LTS 950090 SPN Mat. 88</p>
---	--	--	---	---

Lot 66 Huidige Skrotumomvang 370mm

<p>GZV 120062 SPN Mat. 121</p> <p>AFC 26 ICP 510 RI 95</p>	<p>AG 090483 SPN Mat. 106</p>  <p>AG 080251 SPN Mat. 131 Age/Calv. 9/6 Avg. WI/Calf 103/6</p>	<p>FCT 060109 SPN Mat. 119</p> <p>AFC 26 ICP 353</p>	<p>AG 060123 SPN Mat. 99 Age/Calv. 5/4 Avg. WI/Calf 105/4</p> <p>AG 020251 SPN Mat. 120 Gold</p> <p>AFC 35 ICP 443</p>	<p>FCT 040101 SPN Mat. 89 FCT 980024 SPN Mat. 112 AG 030205 SPN Mat. 84 AG 980123 SPN Mat. 106 AG 980338 SPN Mat. 87 AG 950206 SPN Mat. 127 AG 950059 SPN Mat. 102 AG 940258 SPN Mat. 110</p>
---	--	---	--	---

Lot	Verkoper	ID POENA Gen	OUERS VADER GV OV MOEDER GV OV	Toets Genomies Getoets DNS Geb. dat.	DIREKTE KALF EIENSKAPPE		DOGTER EIENSKAPPE			GROEI		DOEL	REP	MATES		V:	Semen Gebruikers	Gebruiker Eie Opmerkings		
					Nageslag Geboorte- gewig	Nageslag Speengewig	Gemak van Kalwing	Melk prod.	Volwas- se Gewig	Naspeen- gewig	Daaglikse Toename			Voer- omset	Hoogte & Lengte					
					Teelwaarde indekse															
					Geb Dir	Speen Dir		Geb Mat	Speen Mat	Volw Gew	Naspeen	GDT	VOV	SO	Hgt	Lgt	LHV			
					Akk	Akk		Akk	Akk	Akk	Akk	Akk	Akk	Akk	Akk	Akk	GGV			
					Gew kg	Gew kg	Ind	kg	kg	kg	365d Ind	540d Ind	Ind	Ind	(mm)	(mm)	(mm)	SGV		

BULLE

67	DE VILLIERS AG & SEUN	GZV 140054 SP	AG 110401 <input checked="" type="checkbox"/>	GT	100	93	110	72	95	87	88	91	111	62	88	1.26	Huidige Skrotumomvang 400mm
			GZV 110240 <input checked="" type="checkbox"/>		1.06 94	10.0 90	-0.68 68	-3.8 70	4.0 65	12.8 78	40 80	-27 56	18.0 85	-29 86	-2 84	-	
				03.11.14	37	257	94				-		104	-	364	1098	
68	DE VILLIERS AG & SEUN	AG 170009 SP	AG 110192 <input checked="" type="checkbox"/>	NS540	83	121	127	102	110	119	117	106	120	108	119	-	Huidige Skrotumomvang 430mm
			AG 090002 <input checked="" type="checkbox"/>	DNS	2.82 78	22.7 74	-1.46 60	4.3 60	20.0 42	34.6 70	176 48	-60 27	25.3 51	8 52	40 51	6.44	
				08.01.17	38	243	112				107	104	-	-	-	-	
69	DE VILLIERS AG & SEUN	AG 170157 SP	AG 130147 <input checked="" type="checkbox"/>	NS540	112	102	111	96	88	96	102	103	110	96	102	-	Huidige Skrotumomvang 380mm
			AG 140348 <input checked="" type="checkbox"/>	DNS	-0.30 76	14.0 71	-0.68 47	2.7 48	-3.0 38	18.7 66	103 37	-52 20	17.8 38	-1 39	17 38	5.91	
				22.07.17	26	269	105				103	98	-	-	-	-	
70	DE VILLIERS AG & SEUN	AG 171053 SP	AG 110317 <input checked="" type="checkbox"/>	NS540	110	86	123	96	78	87	87	96	102	79	86	-	Huidige Skrotumomvang 370mm
			PAD 090153 <input checked="" type="checkbox"/>	DNS	0.01 79	6.8 74	-1.24 58	2.6 59	-14.0 40	12.8 68	35 45	-39 28	11.5 48	-16 49	-5 48	-	
				22.12.17	34	192	92				99	106	-	-	-	-	
71	DE VILLIERS AG & SEUN	HVD 150006 SP	BBN 090176 <input checked="" type="checkbox"/>	GT	94	89	116	107	98	86	94	100	87	63	78	1.18	Huidige Skrotumomvang 400mm
			SYF 080182 <input checked="" type="checkbox"/>	DNS	1.70 90	8.4 85	-0.94 60	5.7 63	8.0 52	12.0 74	69 78	-46 21	-0.5 84	-29 85	-16 83	7.17	
				14.03.15	38	203	93				-		122	-	341	1162	
72	DE VILLIERS AG & SEUN	AG 150176 SP	AG 110263 <input checked="" type="checkbox"/>	NS540	95	113	102	111	106	115	116	113	93	96	108	-	Huidige Skrotumomvang 370mm
			AG 020147 <input checked="" type="checkbox"/>	DNS	1.56 96	19.0 95	-0.28 57	6.8 74	16.0 46	32.0 78	169 76	-73 24	4.4 81	-2 82	24 80	6.43	
				14.03.15	36	252	120				124	111	-	-	-	-	

CONKOR BEESTERLESGENOOTSKAP VAN SA


Saamgestel deur die Suid-Afrikaanse Stamboek- en Veeverbeteringsvereniging

Veilingsdatum: 08/04/2020
Data soos op 11/03/2020 10:14:41

Lot 67 Huidige Skrotumomvang 400mm

GZV 140054 SPN Mat. 72

AG 110401 SPN Mat. 89



GZV 110240

OEK 23 SPN Mat. 73
TKP 370 Oud/Kalw. 7/6
RI 120 Gem. SI/Kalf 92/6

OEK 31 SPN Mat. 100
TKP 371 Oud/Kalw. 5/3
Gem. SI/Kalf 108/3

AG 070361 SPN Mat. 69

AG 070098 SPN Mat. 70

VV 050036 SPN Mat. 91

GZV 050101 SPN Mat. 89


OEK 25 SPN Mat. 89
TKP 429 Oud/Kalw. 9/7
Gem. SI/Kalf 98/7

LAR 010176 SPN Mat. 84
AG 030421 SPN Mat. 77
RCO 000091 SPN Mat. 106
AG 970041 SPN Mat. 104
VV 020392 SPN Mat. 107
JRB 000042 SPN Mat. 103
GZV 950059 SPN Mat. 92

Lot 68 Huidige Skrotumomvang 430mm

AG 170009 SPN Mat. 102

AG 110192 SPN Mat. 103



AG 090002 SPN Mat. 108

OEK 32 SPN Mat. 108
TKP 369 Oud/Kalw. 10/8
RI 112 Gem. SI/Kalf 107/8

VV 070012 SPN Mat. 112
Goud

AG 030031 SPN Mat. 94

AG 030029 SPN Mat. 65

AG 980061 SPN Mat. 116


OEK 29 SPN Mat. 116
TKP 381 Oud/Kalw. 15/13
Gem. SI/Kalf 103/11

VV 040046 SPN Mat. 113
VV 040214 SPN Mat. 115
AG 990142 SPN Mat. 94
AG 980093 SPN Mat. 92
AG 990142 SPN Mat. 94
AG 970109 SPN Mat. 76
RCO 930012 SPN Mat. 94
AG 920076 SPN Mat. 113

Lot 69 Huidige Skrotumomvang 380mm

AG 170157 SPN Mat. 96

AG 130147 SPN Mat. 102



AG 140348 SPN Mat. 95

OEK 33 SPN Mat. 95
TKP 413 Oud/Kalw. 5/3
RI 102 Gem. SI/Kalf 103/2

OEK 36 SPN Mat. 101
TKP 486 Oud/Kalw. 7/4
Gem. SI/Kalf 106/3

AG 100156 SPN Mat. 81

AG 100384 SPN Mat. 81

AG 100784 SPN Mat. 96


OEK 34 SPN Mat. 96
TKP 371 Oud/Kalw. 9/7
Gem. SI/Kalf 95/6

HJS 030016 SPN Mat. 97
BZ 020158 SPN Mat. 130
CSW 010014 SPN Mat. 95
AG 040166 SPN Mat. 94
AG 070458 SPN Mat. 85
AG 030216 SPN Mat. 104
FCT 060109 SPN Mat. 119
AG 010107 SPN Mat. 93

Lot 70 Huidige Skrotumomvang 370mm

AG 171053 SPN Mat. 96

AG 110317 SPN Mat. 112



PAD 090153 SPN Mat. 80

OEK 23 SPN Mat. 80
TKP 419 Oud/Kalw. 10/8
RI 110 Gem. SI/Kalf 91/7

VV 070012 SPN Mat. 112
Goud

AG 030322 SPN Mat. 111

PAD 060123 SPN Mat. 95

PAD 060065 SPN Mat. 103


OEK 23 SPN Mat. 103
TKP 568 Oud/Kalw. 5/3
Gem. SI/Kalf 102/2

VV 040046 SPN Mat. 113
VV 040214 SPN Mat. 115
RCO 000091 SPN Mat. 70
AG 980145 SPN Mat. 132
AG 020224 SPN Mat. 81
AG 920155 SPN Mat. 121
EI 980080 SPN Mat. 88
AG 950155 SPN Mat. 134

Lot 71 Huidige Skrotumomvang 400mm

HVD 150006 SPN Mat. 107

BBN 090176 SPN Mat. 121



SYF 080182 SPN Mat. 92

OEK 29 SPN Mat. 92
TKP 367 Oud/Kalw. 10/9
RI 115 Gem. SI/Kalf 95/9

OEK 36 SPN Mat. 116
TKP 368 Oud/Kalw. 12/10
Gem. SI/Kalf 103/8

MMJ 050143 SPN Mat. 104

BBN 040096 SPN Mat. 91

ADV 030016 SPN Mat. 85

SYF 980026 SPN Mat. 94


OEK 34 SPN Mat. 94
TKP 390 Oud/Kalw. 12/10
Gem. SI/Kalf 97/10

AG 980338 SPN Mat. 87
MMJ 020163 SPN Mat. 100
AG 970048 SPN Mat. 108
BBN 980198 SPN Mat. 88
AG J 0008 SPN Mat. 93
AG 990280 SPN Mat. 87
RCO 950079 SPN Mat. 95
SYF 950061 SPN Mat. 95

Lot 72 Huidige Skrotumomvang 370mm

AG 150176 SPN Mat. 111

AG 110263 SPN Mat. 96



AG 020147 SPN Mat. 123

OEK 25 SPN Mat. 123
TKP 404 Oud/Kalw. 13/11
RI 111 Gem. SI/Kalf 110/11

AG 070745 SPN Mat. 96

AG 070404 SPN Mat. 104

AG 980200 SPN Mat. 100

AG 990256 SPN Mat. 137

OEK 35 SPN Mat. 137
TKP 448 Oud/Kalw. 9/6
Gem. SI/Kalf 107/6

WAT 030085 SPN Mat. 101
AG 030221 SPN Mat. 112
AG 010289 SPN Mat. 113
AG 050377 SPN Mat. 74
AG 950059 SPN Mat. 102
AG 950008 SPN Mat. 95
AG 920046 SPN Mat. 123
AG 910155 SPN Mat. 106