

**EXPLANATION OF ABBREVIATIONS IN CATALOGUE**
**VERDUIDELIKING VAN AFKORTINGS IN KATALOGUS**

	DIRECT CALF TRAITS	DIREKTE KALF EIENSKAPPE	Kalf eienskappe
Calf traits	DIRECT CALF TRAITS	DIREKTE KALF EIENSKAPPE	Kalf eienskappe
Daughter traits	DAUGHTER TRAITS	DOGTER EIENSKAPPE	Dogter eienskappe
Growth traits	GROWTH	GROEI	Groei eienskappe
Efficiency traits	EFF	DOEL	Doeltreffendheids eienskappe
Reproduction traits	REPRODUCTION	REPRODUKSIE	Reproduksie eienskappe
Body measurements	MEASURE	MATES	Liggaamsmates
Lot number	Lot	Lot	Lotnommer
Ratio	R:	V:	Verhouding
Identification number	ID	ID	Identifikasienommer
Generation/Section of Herdbook	Gen	Gen	Generasie/Afdeling van kuddeboek
Weight in kilogram	Wgt kg	Gew kg	Gewig in kilogram
Index	Ind	Ind	Indeks
Accuracy of breeding value	Acc	Akk	Akkuraatheid van teelwaarde
Birth direct (kg)	Birth Dir	Geb Dir	Geboorte direk (kg)
Birth maternal (kg)	Birth Mat	Geb Mat	Geboorte maternaal (kg)
Wean direct (kg)	Wean Dir	Speen Dir	Speen direk (kg)
Wean maternal (kg)	Wean Mat	Speen Mat	Speen maternaal (kg)
Mature weight (kg)	Mature Wgt	Volw Gew	Volwasse gewig (kg)
365 Days (kg)	365d	365d	365 Dae (kg)
540 Days (kg)	540d	540d	540 Dae (kg)
Average daily gain (g/day)	ADG	GDT	Gemiddelde daaglikse toename (g/dag)
Feed conversion ratio	FCR	VOV	Voeromsetverhouding
Scrotal circumference (mm)	SC	SO	Skrotum omvang (mm)
Age First Calving	AFC	OEK	Ouderdom Eerste Kalwing
Inter Calving Period	ICP	TKP	Tussen Kalf Periode
Height (mm)	Hgt	Hgt	Hoogte (mm)
Length (mm)	Lgt	Lgt	Lengte (mm)
Length : Height ratio	LHR	HLV	Lengte : Hoogte verhouding
Birth weight : Cow weight ratio	BWR	GGV	Geboortegewig : Koeigewig verhouding
Wean weight : Cow weight ratio	WWR	SGV	Speengewig : Koeigewig verhouding
Age in years and months / Number of calvings	Age / Calv	Oud / Kalw	Ouderdom in jare en maande / Aantal kalwings
Average Wean index / Number of calves	Ave WI / Calf	Gem SI / Kalf	Gemiddelde Speenindeks / Aantal kalwers
Reproduction index	R.I.	R.I.	Reproduksie Indeks
Polled	Polled	Poena	Poena
Post Wean 365 days & Post Wean 540 days	PW365 & PW540	NS365 & NS540	Naspeen 365 dae & Naspeen 540 dae
Growth test & Growth test group	GT & GTg	GT & GTg	Groei Toets & Groeitoets groep
Central test	CT	ST	Sentrale toets
Ouerskap Verifikasie	OV	PV	Parentage Verification
Genomies Getoets	GT	GT	Genomically Tested
Homosigoties Poena (Celtic Toets)	PP(c)	PP(c)	Homozygous Polled (Celtic Test)
Heterosigoties Poena (Celtic Toets)	Pp(c)	Pp(c)	Heterozygous Polled (Celtic Test)
Beide Ouers Geverifieer	PV	PV	Both Parents Verified
Sire Geverifieer	SV	SV	Sire Verified
Dam Geverifieer	DV	DV	Dam Verified


## FEMALE ANIMALS

Lot	Seller	ID	PARENTS	Test	Breeding Value Indexes											Days Open	Breeder Own Remarks							
					SIRE		Genomic Tested	Birth Dir		Wean Dir		Birth Mat	Wean Mat	Mat Wgt	Post Wean			ADG	FCR	SC	Hgt	Lgt	LHR	
					GV	PV		Acc	Acc	Acc	Acc	Acc	365d Ind	540d Ind	Ind			Ind	(mm)	(mm)	(mm)	BWR		
Gen	DAM	PV	Birth Date	Wgt kg	Wgt kg	Ind	kg	kg	kg									Age						
																			Calves					


### Pregnant Cows

73	DE VILLIERS AG & SEUN	AG 150170	AG 110215	PW540	<b>80</b>	<b>113</b>	<b>111</b>	<b>110</b>	<b>104</b>	<b>115</b>	<b>112</b>	<b>106</b>	<b>118</b>	<b>109</b>	<b>110</b>	-	125	
			<input checked="" type="checkbox"/>		3.16	19.2	-0.72	6.5	15.0	32.0	153	-59	24.0	9	28	6.11	5	
			AG 090208	DNA	82	74	70	64	47	70	45	28	48	49	48			
		SP	<input checked="" type="checkbox"/>	10.03.15	33											45.7	3	
74	DE VILLIERS AG & SEUN	AG 150303	AG 110301	PW365	<b>117</b>	<b>96</b>	<b>130</b>	<b>103</b>	<b>78</b>	<b>98</b>	<b>99</b>	<b>92</b>	<b>113</b>	<b>97</b>	<b>102</b>	-	172	
			<input checked="" type="checkbox"/>		-0.80	11.5	-1.56	4.5	-14.0	20.0	89	-29	19.9	0	17	7.14	4.6	
			AG 120365	DNA	79	73	64	63	39	62	41	26	45	46	44			
		SP	<input checked="" type="checkbox"/>	17.08.15	25											-	2	
75	DE VILLIERS AG & SEUN	AG 150323	AG 920282	PW365	<b>103</b>	<b>104</b>	<b>116</b>	<b>109</b>	<b>95</b>	<b>99</b>	<b>95</b>	<b>98</b>	<b>99</b>	<b>95</b>	<b>101</b>	-	465	
			<input checked="" type="checkbox"/>		0.74	15.1	-0.93	6.4	4.0	21.1	74	-42	9.2	-2	15	-	4.5	
			AG 020197	DNA	82	77	72	72	58	70	58	51	59	60	59			
		SP	<input checked="" type="checkbox"/>	29.08.15	34											-	2	
76	DE VILLIERS AG & SEUN	AG 150197	AG 110224	PW540	<b>110</b>	<b>106</b>	<b>122</b>	<b>96</b>	<b>99</b>	<b>94</b>	<b>93</b>	<b>89</b>	<b>115</b>	<b>80</b>	<b>93</b>	-	522	
			<input checked="" type="checkbox"/>		-0.06	16.0	-1.20	2.6	9.0	17.7	64	-24	21.5	-15	5	5.08	5	
			AG 040170	DNA	80	77	67	71	47	70	51	29	54	55	54			
		SP	<input checked="" type="checkbox"/>	31.03.15	33											-	2	
77	DE VILLIERS AG & SEUN	AG 150928	AG 100080	PW365	<b>104</b>	<b>88</b>	<b>110</b>	<b>113</b>	<b>89</b>	<b>91</b>	<b>83</b>	<b>92</b>	<b>98</b>	<b>84</b>	<b>87</b>	-	215	
			<input checked="" type="checkbox"/>		0.63	7.9	-0.64	7.4	-2.0	15.5	18	-29	8.3	-11	-3	6.6	4.3	
			AG 110229	DNA	81	77	67	71	42	62	39	27	42	42	41			
		SP	<input checked="" type="checkbox"/>	25.11.15	33											43.4	2	
78	DE VILLIERS AG & SEUN	AG 150324	ADV 070154	PW365	<b>94</b>	<b>97</b>	<b>92</b>	<b>95</b>	<b>93</b>	<b>93</b>	<b>98</b>	<b>99</b>	<b>98</b>	<b>91</b>	<b>98</b>	-	127	
			<input checked="" type="checkbox"/>		1.66	12.1	0.17	2.6	2.0	17.1	88	-44	8.2	-6	11	6	4.5	
			AG 070128	DNA	82	66	71	68	47	61	54	33	56	56	55			
		SP	<input checked="" type="checkbox"/>	30.08.15	30											44.8	3	


**Lot 73**

<p><b>AG 150170</b>                  SPN Mat. 110                  AFC 29                  ICP 409                  RI 109                  Age/Calv. 5/3                  Avg. WI/Calf 105/3</p>	<p><b>AG 110215</b>                  SPN Mat. 97</p> 	<p><b>VV 070012</b>                  SPN Mat. 112                  Gold                  Elite-Gold  <b>AG 020297</b>                  AFC 23 SPN Mat. 90                  ICP 413 Age/Calv. 11/9                  Avg. WI/Calf 108/9</p>	<p><b>VV 040046</b>                  SPN Mat. 113  <b>VV 040214</b>                  SPN Mat. 115  <b>AG 960184</b>                  SPN Mat. 114  <b>AG 930179</b>                  SPN Mat. 75  <b>WAT 030085</b>                  SPN Mat. 101  <b>AG 030221</b>                  SPN Mat. 112  <b>AG 980338</b>                  SPN Mat. 87  <b>HJB 950088</b>                  SPN Mat. 117</p>


**Lot 74**

<p><b>AG 150303</b>                  SPN Mat. 103                  AFC 35                  ICP 425                  RI 96                  Age/Calv. 4/2                  Avg. WI/Calf 103/2</p>	<p><b>AG 110301</b>                  SPN Mat. 108</p> 	<p><b>VV 070012</b>                  SPN Mat. 112                  Gold                  Elite-Gold  <b>AG 040253</b>                  AFC 24 SPN Mat. 105                  ICP 406 Age/Calv. 12/10                  Avg. WI/Calf 105/10</p>	<p><b>VV 040046</b>                  SPN Mat. 113  <b>VV 040214</b>                  SPN Mat. 115  <b>RAI 990034</b>                  SPN Mat. 89  <b>AG 980005</b>                  SPN Mat. 101  <b>EI 940339</b>                  SPN Mat. 117  <b>AG 060173</b>                  SPN Mat. 84  <b>AG 060469</b>                  SPN Mat. 82  <b>AG 030228</b>                  SPN Mat. 92</p>


**Lot 75**

<p><b>AG 150323</b>                  SPN Mat. 109                  AFC 27                  ICP 368                  RI 117                  Age/Calv. 3/2                  Avg. WI/Calf 115/2</p>	<p><b>AG 920282</b>                  SPN Mat. 113</p> 	<p><b>AG J 0008</b>                  SPN Mat. 88</p>	<p><b>AG D 0103</b>                  SPN Mat. 91  <b>AG X 0031</b>                  SPN Mat. 103  <b>AG E 0048</b>                  SPN Mat. 93  <b>AG E 0184</b>                  SPN Mat. 104  <b>AG 950059</b>                  SPN Mat. 102  <b>AG 950008</b>                  SPN Mat. 95  <b>AG 930109</b>                  SPN Mat. 74  <b>AG 940254</b>                  SPN Mat. 95</p>


**Lot 76**

<p><b>AG 150197</b>                  SPN Mat. 96                  AFC 26                  ICP 481                  RI 111                  Age/Calv. 4/2                  Avg. WI/Calf 100/2</p>	<p><b>AG 110224</b>                  SPN Mat. 105</p> 	<p><b>AG 070361</b>                  SPN Mat. 69</p>	<p><b>LAR 010176</b>                  SPN Mat. 84  <b>AG 030421</b>                  SPN Mat. 77  <b>LAR 010176</b>                  SPN Mat. 84  <b>AG 990243</b>                  SPN Mat. 136  <b>VV 950353</b>                  SPN Mat. 107  <b>RAI 950048</b>                  SPN Mat. 93  <b>AG J 0008</b>                  SPN Mat. 88  <b>AG 950012</b>                  SPN Mat. 120</p>

**Lot 77**

<p><b>AG 150928</b>                  SPN Mat. 113                  AFC 32                  ICP 369                  RI 106                  Age/Calv. 4/2                  Avg. WI/Calf 103/2</p>	<p><b>AG 100080</b>                  SPN Mat. 111</p> 	<p><b>LAR 040233</b>                  SPN Mat. 88</p>	<p><b>LAR 000084</b>                  SPN Mat. 102  <b>LAR 960212</b>                  SPN Mat. 88  <b>RCO 000091</b>                  SPN Mat. 70  <b>HDE 010106</b>                  SPN Mat. 125  <b>CEG 050021</b>                  SPN Mat. 123  <b>CEG 040233</b>                  SPN Mat. 96  <b>AG 040310</b>                  SPN Mat. 119  <b>AG 980112</b>                  SPN Mat. 117</p>

**Lot 78**

<p><b>AG 150324</b>                  SPN Mat. 95                  AFC 27                  ICP 361                  RI 118                  Age/Calv. 4/3                  Avg. WI/Calf 96/3</p>	<p><b>ADV 070154</b>                  SPN Mat. 109</p> 	<p><b>LAR 030398</b>                  SPN Mat. 71</p>	<p><b>LAR 010297</b>                  SPN Mat. 71  <b>LAR 990031</b>                  SPN Mat. 86  <b>AG 980338</b>                  SPN Mat. 87  <b>AG 990103</b>                  SPN Mat. 105  <b>AG J 0008</b>                  SPN Mat. 88  <b>RCO 970137</b>                  SPN Mat. 80  <b>AG 960059</b>                  SPN Mat. 110  <b>AG 940161</b>                  SPN Mat. 99</p>

## VROULIKE DIERE

Lot	Verkoper	ID	OUERS	Toets	Teelwaarde indekse											Dae Oop	Gebruiker Eie Opmerkings	
					DIREKTE KALF EIENSKAPPE		DOGTER EIENSKAPPE			GROEI		DOEL	REP	MATES				V:
		VADER GV OV		Genomies Getoets	Geb Dir	Speen Dir	Geb Mat	Speen Mat	Volwas- se Gewig	Naspeen- gewig	GDT	VOV	SO	Hgt	Lgt	LHV	Oud	
		MOEDER GV OV		DNS	Akk	Akk	Akk	Akk	Akk	Akk	Akk	Akk	Akk	Akk	Akk	GGV		Kalwers
		Gen		Geb. dat.	Gew kg	Gew kg	Ind	kg	kg	kg	365d Ind	540d Ind	Ind	Ind	(mm)	(mm)		

### Dragtige Koeie


79	DE VILLIERS AG & SEUN	AG 100078 SP	AG 060027	NS540	<b>89</b>	<b>112</b>	<b>98</b>	<b>102</b>	<b>106</b>	<b>114</b>	<b>111</b>	<b>98</b>	<b>107</b>	<b>86</b>	<b>110</b>	-	93
					2.18	18.6	-0.12	4.4	16.0	31.1	147	-42	14.8	-9	28	7.13	10
			AG 050406	DNS	85	81	81	84	68	75	57	29	59	59	58	35.2	7
80	DE VILLIERS AG & SEUN	AG 100294 SP	ZAK 050093	NS365	<b>113</b>	<b>106</b>	<b>136</b>	<b>89</b>	<b>124</b>	<b>107</b>	<b>107</b>	<b>101</b>	<b>110</b>	<b>100</b>	<b>105</b>	-	512
					-0.37	16.2	-1.86	0.7	36.0	26.2	128	-48	17.2	1	21	7.36	9.4
			AG 050318	DNS	84	81	77	82	64	72	53	26	56	56	56	-	6
81	DE VILLIERS AG & SEUN	AG 110087 SP	AG 050263	NS540	<b>97</b>	<b>102</b>	<b>103</b>	<b>98</b>	<b>94</b>	<b>99</b>	<b>106</b>	<b>112</b>	<b>89</b>	<b>92</b>	<b>99</b>	-	385
					1.37	14.3	-0.35	3.2	3.0	21.0	124	-70	0.8	-4	13	6.5	9
			AG 020245	DNS	85	82	80	84	60	76	59	38	61	61	60	-	6
82	DE VILLIERS AG & SEUN	GJN 110367 SP	VV 040323	NS365	<b>95</b>	<b>88</b>	<b>106</b>	<b>111</b>	<b>127</b>	<b>93</b>	<b>95</b>	<b>93</b>	<b>99</b>	<b>90</b>	<b>95</b>	-	140
					1.53	7.8	-0.48	6.8	39.0	16.6	71	-31	8.5	-7	7	-	8.4
			GJN 990018	DNS	85	81	80	82	68	70	61	55	63	63	62	38.3	6
83	DE VILLIERS AG & SEUN	AG 140068 SP	HART100095	NS540	<b>99</b>	<b>105</b>	<b>104</b>	<b>105</b>	<b>85</b>	<b>104</b>	<b>92</b>	<b>86</b>	<b>111</b>	<b>93</b>	<b>105</b>	-	133
					1.16	15.5	-0.38	5.2	-7.0	24.2	58	-18	18.5	-4	21	6.6	6.1
			AG 100272	DNS	82	77	73	76	44	71	40	19	42	42	42	48.5	4
84	DE VILLIERS AG & SEUN	AG 140509 SP	AG 100080	NS365	<b>96</b>	<b>98</b>	<b>104</b>	<b>108</b>	<b>100</b>	<b>99</b>	<b>91</b>	<b>97</b>	<b>97</b>	<b>96</b>	<b>97</b>	-	110
					1.49	12.2	-0.37	6.1	10.0	20.7	55	-39	7.0	-2	10	-	5.5
			AG 090547	DNS	82	77	74	76	48	62	35	18	38	38	37	40.3	4

# BONASARA BEESTENGENOOTSKAP VAN SA


Saamgestel deur die Suid-Afrikaanse Stamboek- en Veeverbeteringsvereniging

Veilingsdatum: 08/04/2020  
Data soos op 13/03/2020 08:45:28


### Lot 79

<p><b>AG 100078</b> SPN Mat. 102 OEK 35 TKP 414 RI 101 Oud/Kalw. 10/7 Gem. Si/Kalf 103/6</p>	<p><b>AG 060027</b> SPN Mat. 92</p>  <p>Elite-Goud</p> <p><b>AG 050406</b></p>	<p><b>LAR 010176</b> SPN Mat. 84</p> <p><b>AG 020147</b> OEK 25 SPN Mat. 123 TKP 404 Oud/Kalw. 13/11 Gem. Si/Kalf 110/11</p> <p><b>AEJ 010189</b> SPN Mat. 61</p> <p><b>AG 990200</b> OEK 35 SPN Mat. 97 TKP 458 Oud/Kalw. 9/6 Gem. Si/Kalf 101/5</p>	<p><b>AG 970048</b> SPN Mat. 91 <b>LAR 980262</b> SPN Mat. 93 <b>AG 980200</b> SPN Mat. 100 <b>AG 990256</b> SPN Mat. 137 <b>AEJ 970106</b> SPN Mat. 68 <b>AEJ 900002</b> SPN Mat. 94 <b>AG 950059</b> SPN Mat. 102 <b>AG 960229</b> SPN Mat. 81</p>
--	---	---	--


### Lot 80

<p><b>AG 100294</b> SPN Mat. 89 OEK 35 TKP 372 RI 108 Oud/Kalw. 8/6 Gem. Si/Kalf 102/6</p>	<p><b>ZAK 050093</b> SPN Mat. 87</p>  <p><b>AG 050318</b></p>	<p><b>VV 020258</b> SPN Mat. 99</p> <p><b>ZAK 980061</b> OEK 36 SPN Mat. 90 TKP 367 Oud/Kalw. 14/12 Gem. Si/Kalf 101/12</p> <p><b>AEJ 010189</b> SPN Mat. 61</p> <p><b>AG 990336</b> OEK 34 SPN Mat. 83 TKP 380 Oud/Kalw. 14/12 Gem. Si/Kalf 100/11</p>	<p><b>VV 990318</b> SPN Mat. 106 <b>VV 940129</b> SPN Mat. 96 <b>AMF 940337</b> SPN Mat. 91 <b>ZAK 940012</b> SPN Mat. 89 <b>AEJ 970106</b> SPN Mat. 68 <b>AEJ 900002</b> SPN Mat. 94 <b>HJL 960006</b> SPN Mat. 88 <b>AG 970313</b> SPN Mat. 72</p>
--	--	---	--


### Lot 81

<p><b>AG 110087</b> SPN Mat. 98 OEK 30 TKP 399 RI 108 Oud/Kalw. 8/6 Gem. Si/Kalf 98/6</p>	<p><b>AG 050263</b> SPN Mat. 116</p>  <p><b>AG 020245</b></p>	<p><b>AG 030256</b> SPN Mat. 86</p> <p><b>AG 950255</b> OEK 29 SPN Mat. 129 TKP 416 Oud/Kalw. 16/13 Gem. Si/Kalf 105/12</p> <p><b>AG 980338</b> SPN Mat. 87</p> <p><b>AG 960026</b> OEK 30 SPN Mat. 110 TKP 372 Oud/Kalw. 15/13 Gem. Si/Kalf 104/13</p>	<p><b>AG 980338</b> SPN Mat. 87 <b>AG 930063</b> SPN Mat. 101 <b>AG 920282</b> SPN Mat. 113 <b>AG 900152</b> SPN Mat. 101 <b>AG 930210</b> SPN Mat. 104 <b>AG 920184</b> SPN Mat. 102 <b>AG J 0008</b> SPN Mat. 88 <b>AG 930123</b> SPN Mat. 79</p>
---	--	---	---


### Lot 82

<p><b>GJN 110367</b> SPN Mat. 111 OEK 31 TKP 398 RI 108 Oud/Kalw. 8/6 Gem. Si/Kalf 99/6</p>	<p><b>VV 040323</b> SPN Mat. 132 Silver</p>  <p>Elite-Goud</p> <p><b>GJN 990018</b></p>	<p><b>VV 010112</b> SPN Mat. 127 Goud</p> <p><b>VV 000188</b> OEK 29 SPN Mat. 109 TKP 386 Oud/Kalw. 12/10 Gem. Si/Kalf 101/10</p> <p><b>AG 920282</b> SPN Mat. 113</p> <p><b>NFS 930105</b> OEK 30 SPN Mat. 64 TKP 404 Oud/Kalw. 11/9 Gem. Si/Kalf 95/9</p>	<p><b>BG 950040</b> SPN Mat. 114 <b>VV 960316</b> SPN Mat. 115 <b>VV 980088</b> SPN Mat. 102 <b>BG 950013</b> SPN Mat. 115 <b>AG J 0008</b> SPN Mat. 88 <b>AG K 0069</b> SPN Mat. 99 <b>ZIM L 0080</b> SPN Mat. 43 <b>NFS N 0199</b> SPN Mat. 62</p>
---	--	---	--

### Lot 83

<p><b>AG 140068</b> SPN Mat. 105 OEK 32 TKP 372 RI 110 Oud/Kalw. 6/4 Gem. Si/Kalf 100/4</p>	<p><b>HART100095</b> SPN Mat. 86</p>  <p><b>AG 100272</b></p>	<p><b>WAT 040339</b> SPN Mat. 111</p> <p><b>BHE 000055</b> OEK 28 SPN Mat. 77 TKP 431 Oud/Kalw. 13/10 Gem. Si/Kalf 98/8</p> <p><b>FCT 060109</b> SPN Mat. 119</p> <p><b>AG 990228</b> OEK 28 SPN Mat. 111 TKP 387 Oud/Kalw. 14/12 Gem. Si/Kalf 105/12</p>	<p><b>WAT 020054</b> SPN Mat. 99 <b>WAT 000072</b> SPN Mat. 102 <b>NFS 940097</b> SPN Mat. 81 <b>BHE 970064</b> SPN Mat. 88 <b>FCT 040101</b> SPN Mat. 89 <b>FCT 980024</b> SPN Mat. 112 <b>HJL 960006</b> SPN Mat. 88 <b>AG 970162</b> SPN Mat. 98</p>
---	--	---	---

### Lot 84

<p><b>AG 140509</b> SPN Mat. 108 OEK 26 TKP 360 RI 118 Oud/Kalw. 5/4 Gem. Si/Kalf 102/4</p>	<p><b>AG 100080</b> SPN Mat. 111</p>  <p>Elite-Goud</p> <p><b>AG 090547</b></p>	<p><b>LAR 040233</b> SPN Mat. 88</p> <p><b>AG 050239</b> OEK 24 SPN Mat. 98 TKP 452 Oud/Kalw. 4/3 Gem. Si/Kalf 104/3</p> <p><b>AB 050001</b> SPN Mat. 98</p> <p><b>AG 980589</b> OEK * SPN Mat. 104 TKP 428 Oud/Kalw. */8 Gem. Si/Kalf 104/8</p>	<p><b>LAR 000084</b> SPN Mat. 102 <b>LAR 960212</b> SPN Mat. 88 <b>RCO 000091</b> SPN Mat. 70 <b>HDE 010106</b> SPN Mat. 125 <b>BHE 020105</b> SPN Mat. 106 <b>BHE 980007</b> SPN Mat. 95</p>
---	--	--	---

**FEMALE ANIMALS**

Lot	Seller	ID	POLLED	Gen	PARENTS		Test	Breeding Value Indexes										R:	Calf ID	Breeder Own Remarks			
					SIRE	PV		Birth Dir	Wean Dir	Birth Mat	Wean Mat	Mat Wgt	Post Wean	ADG	FCR	SC	Hgt				Lgt	LHR	Birth Date (Weight)
						DNA		Acc	Acc	Acc	Acc	Acc	Acc	Acc	Acc	Acc	Acc	Acc	Acc	Acc	WWR	Sire	GT / POLLED
						Birth Date		Wgt kg	Wgt kg	Ind	kg	kg	kg	365dM	540dInd	Ind	Ind	(mm)	(mm)	(mm)			


**Cows with Calves**

85	DE VILLIERS AG & SEUN	AG 130385	AG 090310	PW540	<b>94</b>	<b>120</b>	<b>105</b>	<b>116</b>	<b>116</b>	<b>123</b>	<b>121</b>	<b>104</b>	<b>121</b>	<b>107</b>	<b>118</b>	-	BONMAG 190293
			<input checked="" type="checkbox"/>		1.62	22.3	-0.41	8.3	27.0	37.7	192	-55	26.3	7	40	9.19	25.09.19 (27)
			AG 100082	DNA	83	79	75	78	63	70	51	24	54	54	53		BONMCCV 150108
				<input checked="" type="checkbox"/>	19.10.13	34										51.1	
86	DE VILLIERS AG & SEUN	AG 120136	AG 070299	PW540	<b>117</b>	<b>92</b>	<b>102</b>	<b>103</b>	<b>90</b>	<b>90</b>	<b>93</b>	<b>92</b>	<b>123</b>	<b>96</b>	<b>101</b>	-	BONFAG 190958
			<input checked="" type="checkbox"/>		-0.76	9.8	-0.30	4.7	-1.0	14.6	65	-30	27.6	-2	15	7.43	13.11.19 (36)
			VV 090273	DNA	84	79	76	78	59	70	52	31	55	55	54		BONMAG 140046
				<input checked="" type="checkbox"/>	14.09.12	26										48.5	
87	DE VILLIERS AG & SEUN	AG 160414	AG 110192	PW540	<b>89</b>	<b>112</b>	<b>123</b>	<b>101</b>	<b>92</b>	<b>117</b>	<b>109</b>	<b>106</b>	<b>118</b>	<b>93</b>	<b>103</b>	-	BONMAG 190197
			<input checked="" type="checkbox"/>		2.21	18.6	-1.27	4.0	1.0	33.4	139	-58	23.8	-4	18	7.2	19.07.19 (28)
			AG 070290	DNA	80	77	65	67	39	70	45	26	49	49	48		BONMAG 120225
				<input checked="" type="checkbox"/>	23.10.16	36										36.1	
88	DE VILLIERS AG & SEUN	AG 100260	LAR 060034	PW365	<b>102</b>	<b>107</b>	<b>120</b>	<b>84</b>	<b>96</b>	<b>103</b>	<b>96</b>	<b>101</b>	<b>97</b>	<b>89</b>	<b>97</b>	-	BONMAG 190324
			<input checked="" type="checkbox"/>		0.84	16.5	-1.12	-0.7	5.0	24.1	79	-48	7.0	-8	9	8.4	03.10.19 (27)
			AG 070075	DNA	86	77	82	84	63	72	57	28	59	59	59		BONMAG 160072
				<input checked="" type="checkbox"/>	08.10.10	34										-	
89	DE VILLIERS AG & SEUN	AG 100213	FCT 060109	PW365	<b>113</b>	<b>88</b>	<b>102</b>	<b>144</b>	<b>101</b>	<b>88</b>	<b>87</b>	<b>79</b>	<b>117</b>	<b>91</b>	<b>104</b>	-	BONFAG 190959
			<input checked="" type="checkbox"/>		-0.31	8.0	-0.27	16.0	11.0	13.6	37	-3	22.9	-6	20	5.89	13.11.19 (34)
			AG 000167	DNA	85	81	81	84	66	74	57	26	60	60	59		BONMAG 160072
				<input checked="" type="checkbox"/>	01.10.10	33										-	
90	DE VILLIERS AG & SEUN	AG 100168	AJF 040075	PW365	<b>89</b>	<b>123</b>	<b>130</b>	<b>116</b>	<b>116</b>	<b>115</b>	<b>115</b>	<b>106</b>	<b>115</b>	<b>123</b>	<b>121</b>	-	BONFAG 190894
			<input checked="" type="checkbox"/>		2.23	23.8	-1.56	8.2	28.0	31.8	165	-59	21.2	21	44	5.38	05.11.19 (36)
			AG 030204	DNA	87	82	82	84	64	74	56	21	59	59	58		BONMAG 160072
				<input checked="" type="checkbox"/>	16.09.10	32										-	


1.03	13.3	-0.20	3.8	10	21.7	96	-46	9.6	2	14
------	------	-------	-----	----	------	----	-----	-----	---	----




**Lot 85**

<p><b>AG 130385</b>                  SPN Mat. 116                  AFC 25                  ICP 351                  RI 121                  Age/Calv. 6/5                  Avg. WI/Calf 108/4</p>	<p><b>AG 090310</b>                  SPN Mat. 114</p>  <p>Elite-Silver  <b>AG 100082</b></p>	<p><b>HJS 030016</b>                  SPN Mat. 97</p> <p>Elite-Gold  <b>AG 040253</b>                  AFC 24 SPN Mat. 105                  ICP 406 Age/Calv. 12/10                  Avg. WI/Calf 105/10</p> <p><b>AG 060027</b>                  SPN Mat. 92</p> <p><b>AG 050128</b>                  AFC 25 SPN Mat. 95                  ICP 457 Age/Calv. 7/5                  Avg. WI/Calf 107/4</p>	<p><b>RCO 980037</b>                  SPN Mat. 67  <b>HJS 000068</b>                  SPN Mat. 113  <b>RAI 990034</b>                  SPN Mat. 89  <b>AG 980005</b>                  SPN Mat. 101  <b>LAR 010176</b>                  SPN Mat. 84  <b>AG 020147</b>                  SPN Mat. 123  <b>AG 000100</b>                  SPN Mat. 92  <b>AG 030367</b>                  SPN Mat. 101</p>
---	---	--	---


**Lot 86**

<p><b>AG 120136</b>                  SPN Mat. 103                  AFC 35                  ICP 389                  RI 105                  Age/Calv. 7/5                  Avg. WI/Calf 99/4</p>	<p><b>AG 070299</b>                  SPN Mat. 91</p>  <p><b>VV 090273</b>                  AFC 35 SPN Mat. 107                  ICP 522 Age/Calv. 10/6                  RI 84 Avg. WI/Calf 101/5</p>	<p><b>LAR 030312</b>                  SPN Mat. 104</p> <p><b>AG 040285</b>                  AFC 22 SPN Mat. 70                  ICP 349 Age/Calv. 11/11                  Avg. WI/Calf 100/9</p> <p><b>VV 050378 P</b>                  SPN Mat. 72                  Silver                  Elite-Gold  <b>BG 000058</b>                  AFC 31 SPN Mat. 110                  ICP 415 Age/Calv. 16/13                  Avg. WI/Calf 100/15</p>	<p><b>LAR 010297</b>                  SPN Mat. 71  <b>LAR 990317</b>                  SPN Mat. 87  <b>RAI 990034</b>                  SPN Mat. 89  <b>AG 960341</b>                  SPN Mat. 75  <b>VV 020299</b>                  SPN Mat. 108  <b>VV 990390</b>                  SPN Mat. 109  <b>EI 900081</b>                  SPN Mat. 75  <b>BG 940065</b>                  SPN Mat. 124</p>
--	---	---	---


**Lot 87**

<p><b>AG 160414</b>                  SPN Mat. 101                  AFC 33                  ICP                  RI 100                  Age/Calv. 3/1                  Avg. WI/Calf 110/1</p>	<p><b>AG 110192</b>                  SPN Mat. 103</p>  <p><b>AG 070290</b>                  AFC 25 SPN Mat. 86                  ICP 365 Age/Calv. 12/11                  RI 118 Avg. WI/Calf 98/10</p>	<p><b>VV 070012</b>                  SPN Mat. 112                  Gold</p> <p><b>AG 030031</b>                  AFC 30 SPN Mat. 94                  ICP 475 Age/Calv. 12/8                  Avg. WI/Calf 99/8</p> <p><b>EI 040038</b>                  SPN Mat. 93</p> <p><b>AG 040213</b>                  AFC 23 SPN Mat. 93                  ICP 371 Age/Calv. 7/6                  Avg. WI/Calf 100/6</p>	<p><b>VV 040046</b>                  SPN Mat. 113  <b>VV 040214</b>                  SPN Mat. 115  <b>AG 990142</b>                  SPN Mat. 94  <b>AG 980093</b>                  SPN Mat. 92  <b>EI 980080</b>                  SPN Mat. 88  <b>EI 990057</b>                  SPN Mat. 101  <b>AG 000264</b>                  SPN Mat. 77  <b>AG 010105</b>                  SPN Mat. 93</p>
---	---	--	--


**Lot 88**

<p><b>AG 100260</b>                  SPN Mat. 84                  AFC 25                  ICP 359                  RI 119                  Age/Calv. 9/8                  Avg. WI/Calf 97/7</p>	<p><b>LAR 060034</b>                  SPN Mat. 114</p>  <p><b>AG 070075</b>                  AFC 30 SPN Mat. 67                  ICP 411 Age/Calv. 8/6                  RI 106 Avg. WI/Calf 97/6</p>	<p><b>LAR 020101</b>                  SPN Mat. 95</p> <p><b>LAR 980130</b>                  AFC 36 SPN Mat. 114                  ICP 403 Age/Calv. 12/9                  Avg. WI/Calf 104/7</p> <p><b>AG 040405</b>                  SPN Mat. 82</p> <p>Elite-Gold  <b>AG 030149</b>                  AFC 24 SPN Mat. 86                  ICP 393 Age/Calv. 11/9                  Avg. WI/Calf 99/9</p>	<p><b>LAR 990350</b>                  SPN Mat. 60  <b>LAR 990131</b>                  SPN Mat. 113  <b>LTS 930057</b>                  SPN Mat. 105  <b>LAR 900063</b>                  SPN Mat. 119  <b>RAI 990034</b>                  SPN Mat. 89  <b>AG 970094</b>                  SPN Mat. 89  <b>AG 980338</b>                  SPN Mat. 87  <b>AG 950103</b>                  SPN Mat. 109</p>
---	---	---	--

**Lot 89**

<p><b>AG 100213</b>                  SPN Mat. 144                  AFC 36                  ICP 375                  RI 108                  Age/Calv. 9/7                  Avg. WI/Calf 110/6</p>	<p><b>FCT 060109</b>                  SPN Mat. 119</p>  <p><b>AG 000167</b>                  AFC 25 SPN Mat. 119                  ICP 365 Age/Calv. 11/10                  RI 118 Avg. WI/Calf 102/10</p>	<p><b>FCT 040101</b>                  SPN Mat. 89</p> <p><b>FCT 980024</b>                  AFC 30 SPN Mat. 112                  ICP 362 Age/Calv. 11/10                  Avg. WI/Calf 100/10</p> <p><b>WAT 970211</b>                  SPN Mat. 110</p> <p><b>BON 970026</b>                  AFC 33 SPN Mat. 89                  ICP 557 Age/Calv. 6/3                  Avg. WI/Calf 99/2</p>	<p><b>BG 960125</b>                  SPN Mat. 100  <b>FCT 020046</b>                  SPN Mat. 108  <b>ROM 920141</b>                  SPN Mat. 108  <b>RE 910118</b>                  SPN Mat. 117  <b>JRB 900089</b>                  SPN Mat. 92  <b>WAT L 0191</b>                  SPN Mat. 120  <b>HJL 930187</b>                  SPN Mat. 92  <b>IVY L 0123</b>                  SPN Mat. 78</p>
---	--	---	--

**Lot 90**

<p>Elite-Gold  <b>AG 100168</b>                  SPN Mat. 116                  AFC 24                  ICP 371                  RI 118                  Age/Calv. 9/8                  Avg. WI/Calf 107/7</p>	<p><b>AJF 040075</b>                  SPN Mat. 119</p>  <p><b>AG 030204</b>                  AFC 25 SPN Mat. 103                  ICP 435 Age/Calv. 14/11                  RI 105 Avg. WI/Calf 107/10</p>	<p><b>KTB 960047</b>                  SPN Mat. 116</p> <p><b>AJF 990292</b>                  AFC 36 SPN Mat. 116                  ICP 473 Age/Calv. 6/3                  Avg. WI/Calf 109/3</p> <p><b>AG 000264</b>                  SPN Mat. 77</p> <p><b>AG 000235</b>                  AFC 36 SPN Mat. 100                  ICP 528 Age/Calv. 12/7                  Avg. WI/Calf 104/7</p>	<p><b>KTB 920139</b>                  SPN Mat. 95  <b>GTH K 0046</b>                  SPN Mat. 132  <b>AJF 960288</b>                  SPN Mat. 111  <b>AJF 950272</b>                  SPN Mat. 110  <b>AG 970194</b>                  SPN Mat. 87  <b>AG 950151</b>                  SPN Mat. 127  <b>AG 950023</b>                  SPN Mat. 97  <b>AG 970004</b>                  SPN Mat. 86</p>
---	--	---	---

**VROULIKE DIERE**

Lot	Verkoper	ID	POENA	Gen	OUIERS		Toets	Teelwaarde indekse									Kalf ID	Gebruiker Eie Opmerkings		
					VADER GV OV	MOEDER GV OV		Genomies Getoets	Geb Dir	Speen Dir	Geb Mat	Speen Mat	Volwas Gew	Naspeen	GDT	VOV			SO	Hgt
					DNS	Akk	Akk	Akk	Akk	Akk	Akk	Akk	Akk	Akk	Akk	Akk	Akk	GGV	Vaar	
					Geb. dat.	Gew kg	Gew kg	Ind	kg	kg	kg	365dM	540d Ind	Ind	Ind	(mm)	(mm)	(mm)	SGV	GT / POLLED

**Koeie met Kalwers**




91	DE VILLIERS AG & SEUN	VV 100004	VV 060403	NS540	<b>112</b>	<b>104</b>	<b>92</b>	<b>121</b>	<b>97</b>	<b>116</b>	<b>119</b>	<b>110</b>	<b>97</b>	<b>121</b>	<b>117</b>	-	BONMAG 191066
			P	DNS	-0.21	15.0	0.16	9.7	6.0	32.7	184	-67	7.2	19	38	4.95	10.12.19 (33)
			VV 010045	20.04.10	86	79	80	83	63	72	62	56	66	66	65	-	BONMAG 150009
92	DE VILLIERS AG & SEUN	AG 100341	MBT 070136	NS365	<b>98</b>	<b>100</b>	<b>105</b>	<b>104</b>	<b>117</b>	<b>102</b>	<b>93</b>	<b>94</b>	<b>106</b>	<b>90</b>	<b>94</b>	-	BONMAG 190969
			AG 080323	DNS	1.21	13.5	-0.44	4.8	28.0	23.3	64	-34	14.7	-6	6	8.39	14.11.19 (36)
			18.10.10	85	81	80	84	62	71	50	40	53	53	52	-	BONMAG 160072	
93	DE VILLIERS AG & SEUN	AG 100127	AG 040289	NS540	<b>94</b>	<b>103</b>	<b>97</b>	<b>117</b>	<b>119</b>	<b>113</b>	<b>114</b>	<b>110</b>	<b>126</b>	<b>100</b>	<b>110</b>	-	BONMAG 190968
			DFP 060038	DNS	1.71	14.8	-0.06	8.5	30.0	30.7	162	-68	29.9	1	27	5.88	14.11.19 (38)
			08.05.10	81	77	82	85	69	68	56	50	58	58	58	-	BONMAG 150176	
94	DE VILLIERS AG & SEUN	AG 160137	CEW 110234	NS540	<b>87</b>	<b>116</b>	<b>135</b>	<b>97</b>	<b>115</b>	<b>118</b>	<b>107</b>	<b>106</b>	<b>114</b>	<b>104</b>	<b>105</b>	-	BONFAG 190925
			<input checked="" type="checkbox"/>	DNS	2.45	20.7	-1.82	3.0	26.0	34.5	127	-58	20.8	5	21	7	10.11.19 (27)
			VV 000370	22.07.16	81	76	68	60	49	72	57	35	60	60	59	-	BONMCEF 150479

**Dragtige Koeie**





95	DE VILLIERS AG & SEUN	AG 100824	FCT 060109	NS365	<b>93</b>	<b>92</b>	<b>89</b>	<b>103</b>	<b>74</b>	<b>92</b>	<b>82</b>	<b>85</b>	<b>102</b>	<b>82</b>	<b>92</b>	-	122
			AG 030319	DNS	1.73	9.8	0.31	4.6	-18.0	16.2	14	-16	11.1	-13	3	7.07	9.2
			16.12.10	84	81	80	82	65	72	57	36	59	59	58	-	6	
96	DE VILLIERS AG & SEUN	AG 100271	HJB 050052	NS365	<b>108</b>	<b>85</b>	<b>86</b>	<b>103</b>	<b>92</b>	<b>94</b>	<b>97</b>	<b>97</b>	<b>92</b>	<b>99</b>	<b>98</b>	-	159
			AG 070294	DNS	0.19	6.6	0.46	4.6	1.0	17.7	79	-40	3.4	1	11	9	9.4
			09.10.10	85	81	80	82	61	69	54	34	56	57	56	-	7	






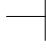
**Lot 91**

<p><b>VV 100004</b> SPN Mat. 121 OEK 30 TKP 433 RI 103 Oud/Kalw. 10/7 Gem. SI/Kalf 106/6</p>	<p>V</p>	<p><b>VV 060403 P</b> SPN Mat. 120 Goud</p>  <p><b>VV 010045</b> SPN Mat. 99 Oud/Kalw. 9/7 Gem. SI/Kalf 97/7</p>		<p><b>VV 030346</b> SPN Mat. 115</p> <p><b>VV 010326 P</b> SPN Mat. 120 Oud/Kalw. 11/8 Gem. SI/Kalf 109/8</p> <p><b>VV 960318</b> SPN Mat. 77</p> <p><b>VV 950225</b> SPN Mat. 123 Oud/Kalw. 10/8 Gem. SI/Kalf 103/8</p>		<p><b>VV 000318</b> SPN Mat. 87 <b>VV 970265</b> SPN Mat. 136 <b>VV 980271</b> SPN Mat. 92 <b>VV 950218</b> SPN Mat. 96 <b>VV 930016</b> SPN Mat. 106 <b>V E 0174</b> SPN Mat. 101 <b>VV 930023</b> SPN Mat. 134 <b>VV 930063</b> SPN Mat. 125</p>
<p>OEK 29 TKP 398 RI 109</p>		<p>OEK 30 TKP 448</p>		<p>OEK 30 TKP 371</p>		





**Lot 92**

<p><b>AG 100341</b> SPN Mat. 104 OEK 35 TKP 375 RI 108 Oud/Kalw. 9/7 Gem. SI/Kalf 102/6</p>		<p><b>MBT 070136</b> SPN Mat. 114 Silver</p>  <p><b>AG 080323</b> SPN Mat. 87 Oud/Kalw. 11/10 Gem. SI/Kalf 99/9</p>		<p><b>CEG 050021</b> SPN Mat. 123 Silver</p> <p><b>CEG 040233</b> SPN Mat. 96 Oud/Kalw. 5/4 Gem. SI/Kalf 96/4</p> <p><b>JJ 040115</b> SPN Mat. 121</p> <p><b>AG 050386</b> SPN Mat. 66 Oud/Kalw. 5/4 Gem. SI/Kalf 94/4</p>		<p><b>AG 960233</b> SPN Mat. 105 <b>CEG 930080</b> SPN Mat. 119 <b>LA 980044</b> SPN Mat. 89 <b>CEG 990251</b> SPN Mat. 105 <b>MMJ 000319</b> SPN Mat. 112 <b>JJ 000072</b> SPN Mat. 135 <b>AEJ 010189</b> SPN Mat. 61 <b>AG 950095</b> SPN Mat. 85</p>
<p>OEK 25 TKP 366 RI 118</p>		<p>OEK 27 TKP 369</p>		<p>OEK 23 TKP 377</p>		





**Lot 93**

<p><b>AG 100127</b> SPN Mat. 117 OEK 29 TKP 372 RI 114 Oud/Kalw. 10/8 Gem. SI/Kalf 103/7</p>		<p><b>AG 040289</b> SPN Mat. 121</p>  <p><b>DFP 060038</b> SPN Mat. 98 Oud/Kalw. 4/2 Gem. SI/Kalf 101/2</p>		<p><b>AG 020193</b> SPN Mat. 110</p> <p><b>AG 950001</b> SPN Mat. 118 <b>GB N 0004</b> SPN Mat. 114 <b>AG J 0213</b> SPN Mat. 116 <b>DFP 990229</b> SPN Mat. 85 <b>DFP 980118</b> SPN Mat. 92 <b>AG 940255</b> SPN Mat. 144 <b>DFP 960154</b> SPN Mat. 93</p>		<p><b>AG 980338</b> SPN Mat. 87 <b>AG 950001</b> SPN Mat. 118 <b>GB N 0004</b> SPN Mat. 114 <b>AG J 0213</b> SPN Mat. 116 <b>DFP 990229</b> SPN Mat. 85 <b>DFP 980118</b> SPN Mat. 92 <b>AG 940255</b> SPN Mat. 144 <b>DFP 960154</b> SPN Mat. 93</p>
<p>OEK 31 TKP 529 RI 98</p>		<p>OEK 29 TKP 371</p>		<p>OEK 31 TKP 428</p>		

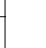



**Lot 94**

<p><b>AG 160137</b> SPN Mat. 97 OEK 28 TKP 355 RI 116 Oud/Kalw. 3/2 Gem. SI/Kalf 98/1</p>		<p><b>CEW 110234</b> SPN Mat. 99</p>  <p><b>VV 000370</b> SPN Mat. 102 Oud/Kalw. 16/14 Gem. SI/Kalf 102/14</p>		<p><b>CEW 080156</b> SPN Mat. 109</p> <p><b>CEW 080220</b> SPN Mat. 91 Oud/Kalw. 10/8 Gem. SI/Kalf 100/8</p> <p><b>VV 980271</b> SPN Mat. 92</p> <p><b>VV 970191</b> SPN Mat. 80 Oud/Kalw. 5/4 Gem. SI/Kalf 92/4</p>		<p><b>LAR 040172</b> SPN Mat. 117 <b>CEW 040033</b> SPN Mat. 99 <b>WAT 050081</b> SPN Mat. 121 <b>CEF 060077</b> SPN Mat. 98 <b>VV 960318</b> SPN Mat. 77 <b>VV 950081</b> SPN Mat. 110 <b>VV 950265</b> SPN Mat. 96 <b>VV N 0330</b> SPN Mat. 104</p>
<p>OEK 24 TKP 386 RI 114</p>		<p>OEK 24 TKP 386 RI 114</p>		<p>OEK 25 TKP 365</p>		

**Lot 95**

<p><b>AG 100824</b> SPN Mat. 103 OEK 33 TKP 449 RI 98 Oud/Kalw. 9/6 Gem. SI/Kalf 96/6</p>		<p><b>FCT 060109</b> SPN Mat. 119</p>  <p><b>AG 030319</b> SPN Mat. 98 Oud/Kalw. 12/11 Gem. SI/Kalf 101/11</p>		<p><b>FCT 040101</b> SPN Mat. 89</p> <p><b>FCT 980024</b> SPN Mat. 108 Oud/Kalw. 11/10 Gem. SI/Kalf 100/10</p> <p><b>AG 980338</b> SPN Mat. 87</p> <p><b>AG 970242</b> SPN Mat. 88 Oud/Kalw. 15/13 Gem. SI/Kalf 99/13</p>		<p><b>BG 960125</b> SPN Mat. 100 <b>FCT 020046</b> SPN Mat. 108 <b>ROM 920141</b> SPN Mat. 108 <b>RE 910118</b> SPN Mat. 117 <b>AG 930210</b> SPN Mat. 104 <b>AG 920184</b> SPN Mat. 102 <b>AG 920046</b> SPN Mat. 123 <b>AG 950091</b> SPN Mat. 86</p>
<p>OEK 24 TKP 375 RI 116</p>		<p>OEK 30 TKP 362</p>		<p>OEK 35 TKP 366</p>		

**Lot 96**

<p><b>AG 100271</b> SPN Mat. 103 OEK 36 TKP 365 RI 109 Oud/Kalw. 9/7 Gem. SI/Kalf 95/7</p>		<p><b>HJB 050052</b> SPN Mat. 111</p>  <p><b>AG 070294</b> SPN Mat. 117 Oud/Kalw. 10/8 Gem. SI/Kalf 102/8</p>		<p><b>NPT 910022</b> SPN Mat. 107</p> <p><b>LA 980114</b> SPN Mat. 108 Oud/Kalw. 7/4 Gem. SI/Kalf 106/4</p> <p><b>AG 020251</b> SPN Mat. 120 Goud</p> <p><b>AG 010154</b> SPN Mat. 110 Oud/Kalw. 15/13 Gem. SI/Kalf 98/13</p>		<p><b>JVD E 0075</b> SPN Mat. 56 <b>NPT L 0129</b> SPN Mat. 143 <b>LA 900195</b> SPN Mat. 101 <b>LA 950062</b> SPN Mat. 113 <b>AG 980338</b> SPN Mat. 87 <b>AG 950206</b> SPN Mat. 127 <b>AG 990071</b> SPN Mat. 117 <b>AG 940001</b> SPN Mat. 99</p>
<p>OEK 25 TKP 369 RI 117</p>		<p>OEK 25 TKP 369 RI 117</p>		<p>OEK 24 TKP 368</p>		




## FEMALE ANIMALS

Lot	Seller	ID	PARENTS	Test	Breeding Value Indexes											LHR	Days Open	Breeder Own Remarks		
					DIRECT CALF TRAITS		DAUGHTER TRAITS			GROWTH		EFF.	REP	MEASURE-MENTS					R:	
POLLED	Gen	SIRE GV PV	DAM GV PV	Genomic Tested DNA	Birth Dir Acc	Wean Dir Acc		Birth Mat Acc	Wean Mat Acc	Mat Wgt Acc	Post Wean Acc		ADG Acc	FCR Acc	SC Acc	Hgt Acc	Lgt Acc		WWR	Age
						Progeny Birth Weight	Progeny Wean Weight				Ease of Calving	Milk prod.								




### Pregnant Cows

97	DE VILLIERS AG & SEUN	VV 100420 SP	VV 070012	PW540	<b>120</b>	<b>84</b>	<b>122</b>	<b>117</b>	<b>70</b>	<b>92</b>	<b>102</b>	<b>105</b>	<b>114</b>	<b>89</b>	<b>95</b>	-	303	
			VV 070125		-1.07	6.0	-1.22	8.4	-23.0	16.2	106	-57	21.0	-7	8	7.45	9.3	
				10.11.10	26													53.8
98	DE VILLIERS AG & SEUN	AG 150893 SP	HCO 090044	PW365	<b>103</b>	<b>108</b>	<b>101</b>	<b>89</b>	<b>117</b>	<b>108</b>	<b>105</b>	<b>101</b>	<b>105</b>	<b>94</b>	<b>101</b>	-	156	
			<input checked="" type="checkbox"/>		0.70	17.0	-0.25	0.8	28.0	27.2	121	-48	13.4	-3	15	5.67	4.3	
			AG 050291	DNA	82	77	72	73	51	66	53	31	57	57	56	34.1	3	
99	DE VILLIERS AG & SEUN	AG 150952 P SP	AG 130115	PW365	<b>116</b>	<b>100</b>	<b>113</b>	<b>87</b>	<b>96</b>	<b>106</b>	<b>103</b>	<b>100</b>	<b>101</b>	<b>93</b>	<b>101</b>	-	507	
			<input checked="" type="checkbox"/>		-0.71	13.4	-0.81	0.2	5.0	25.8	107	-45	10.3	-4	15	8.44	4.2	
			AG 130344	DNA	79	74	64	63	36	62	38	25	39	40	39	-	2	
100	DE VILLIERS AG & SEUN	AG 150859 SP	AG 110317	PW365	<b>92</b>	<b>108</b>	<b>106</b>	<b>108</b>	<b>86</b>	<b>103</b>	<b>94</b>	<b>100</b>	<b>110</b>	<b>87</b>	<b>96</b>	-	145	
			<input checked="" type="checkbox"/>		1.84	17.0	-0.46	6.0	-6.0	24.0	67	-46	17.3	-9	9	7.32	4.3	
			AG 120328	DNA	80	73	66	63	40	62	47	31	50	51	49	-	2	
101	DE VILLIERS AG & SEUN	AG 150160 SP	TOR 050216	PW540	<b>106</b>	<b>94</b>	<b>111</b>	<b>95</b>	<b>92</b>	<b>88</b>	<b>99</b>	<b>101</b>	<b>100</b>	<b>94</b>	<b>98</b>	-	223	
			<input checked="" type="checkbox"/>		0.44	10.8	-0.68	2.6	1.0	13.4	89	-49	9.7	-3	11	6.8	5	
			AG 050203	DNA	82	78	74	74	55	72	53	28	56	57	56	-	3	
102	DE VILLIERS AG & SEUN	AG 150453 SP	AG 100080	PW365	<b>110</b>	<b>105</b>	<b>126</b>	<b>95</b>	<b>114</b>	<b>98</b>	<b>94</b>	<b>97</b>	<b>105</b>	<b>95</b>	<b>99</b>	-	202	
			<input checked="" type="checkbox"/>		0.00	15.4	-1.41	2.4	25.0	20.3	70	-40	14.0	-2	12	6.6	4.4	
			AG 100341	DNA	80	76	68	72	45	64	39	26	42	42	41	42.4	2	




**Lot 97**

<b>VV 100420</b> SPN Mat. 117 AFC 34 ICP 412 RI 102 Age/Calv. 9/6 Avg. WI/Calf 105/6	 <b>VV 070012</b> SPN Mat. 112 Gold	 <b>VV 040046</b> SPN Mat. 113	 <b>VV 040214</b> SPN Mat. 115 Age/Calv. 7/5 Avg. WI/Calf 102/5	SPN Mat. 130 <b>VV 000092</b> SPN Mat. 100 <b>VV 020021</b> SPN Mat. 95 <b>VV 020053</b> SPN Mat. 114 <b>VV 010112</b> SPN Mat. 127 <b>VV 000188</b> SPN Mat. 109 <b>VV 990017</b> SPN Mat. 92 <b>OB N 0232</b> SPN Mat. 145



**Lot 98**

<b>AG 150893</b> SPN Mat. 89 AFC 23 ICP 361 RI 124 Age/Calv. 4/3 Avg. WI/Calf 100/3	 <b>HCO 090044</b> SPN Mat. 111	 <b>VV 030346</b> SPN Mat. 115	 Elite-Gold <b>HJB 060044</b> SPN Mat. 94 Age/Calv. 11/9 Avg. WI/Calf 101/9	SPN Mat. 87 <b>VV 970265</b> SPN Mat. 136 <b>RCO 010162</b> SPN Mat. 69 <b>HJB 010959</b> SPN Mat. 111 <b>AEJ 970106</b> SPN Mat. 68 <b>AEJ 900002</b> SPN Mat. 94 <b>TBR 910704</b> SPN Mat. 77 <b>AG 950200</b> SPN Mat. 113


**Lot 99**

<b>AG 150952 P</b> SPN Mat. 87 AFC 22 ICP 371 RI 128 Age/Calv. 3/2 Avg. WI/Calf 98/2	 <b>AG 130115</b> SPN Mat. 98	 <b>MCU 070007 P</b> SPN Mat. 96	 <b>JPL 040139 P</b> SPN Mat. 80 <b>MCU 030040 P</b> SPN Mat. 134 <b>MCU 060034 P</b> SPN Mat. 123 <b>MCU 050023</b> SPN Mat. 77 <b>SYF 070036</b> SPN Mat. 72 <b>ADV 070142</b> SPN Mat. 52 <b>AG 040310</b> SPN Mat. 119 <b>AG 970352</b> SPN Mat. 106


**Lot 100**

<b>AG 150859</b> SPN Mat. 108 AFC 33 ICP 436 RI 100 Age/Calv. 4/2 Avg. WI/Calf 105/2	 <b>AG 110317</b> SPN Mat. 112	 <b>VV 070012</b> SPN Mat. 112 Gold	SPN Mat. 113 <b>VV 040214</b> SPN Mat. 115 <b>RCO 000091</b> SPN Mat. 70 <b>AG 980145</b> SPN Mat. 132 <b>AG 010245</b> SPN Mat. 69 <b>AG 000415</b> SPN Mat. 112 <b>LAR 010176</b> SPN Mat. 84 <b>AG 960075</b> SPN Mat. 101

**Lot 101**

<b>AG 150160</b> SPN Mat. 95 AFC 28 ICP 379 RI 114 Age/Calv. 4/3 Avg. WI/Calf 96/3	 <b>TOR 050216</b> SPN Mat. 108	SPN Mat. 110 <b>AG 920184</b> SPN Mat. 102 <b>EI 940339</b> SPN Mat. 117 <b>RAI 910021</b> SPN Mat. 94 <b>AG 980200</b> SPN Mat. 100 <b>AG 990040</b> SPN Mat. 101 <b>AG 990142</b> SPN Mat. 94 <b>AG 990258</b> SPN Mat. 104

**Lot 102**

<b>AG 150453</b> SPN Mat. 95 AFC 33 ICP 412 RI 102 Age/Calv. 4/2 Avg. WI/Calf 96/2	 <b>AG 100080</b> SPN Mat. 111	<b>LAR 040233</b> SPN Mat. 88	SPN Mat. 102 <b>LAR 960212</b> SPN Mat. 88 <b>RCO 000091</b> SPN Mat. 70 <b>HDE 010106</b> SPN Mat. 125 <b>CEG 050021</b> SPN Mat. 123 <b>CEG 040233</b> SPN Mat. 96 <b>JJ 040115</b> SPN Mat. 121 <b>AG 050386</b> SPN Mat. 66

## VROULIKE DIERE

Lot	Verkoper	ID	POENA	Gen	OUERS		Toets	Teelwaarde indekse										Dae Oop	Oud	Kalwers	Gebruiker Eie Opmerkings					
					VADER	MOEDER		Geb Dir		Speen Dir		Geb Mat	Speen Mat	Volw Gew	Naspeen		GDT					VOV	SO	Hgt	Lgt	LHV
					GV	OV		Akk	Akk	Akk	Akk	Akk	Akk	Akk	Akk	Akk	Akk					Akk	Akk	Akk	Akk	GGV


### Dragtige Koeie

103	DE VILLIERS AG & SEUN	AG 150251	AG 110301	NS365	<b>126</b>	<b>91</b>	<b>133</b>	<b>96</b>	<b>85</b>	<b>89</b>	<b>98</b>	<b>95</b>	<b>110</b>	<b>94</b>	<b>98</b>	-	225		
			<input checked="" type="checkbox"/>																
			AG 120360	DNS	-1.76	9.4	-1.70	2.8	-7.0	13.8	87	-35	17.2	-3	12	5	4.8		
		SP	<input checked="" type="checkbox"/>	02.06.15	20												2		
104	DE VILLIERS AG & SEUN	AG 150493	AG 110028	NS365	<b>102</b>	<b>94</b>	<b>120</b>	<b>107</b>	<b>97</b>	<b>101</b>	<b>95</b>	<b>91</b>	<b>106</b>	<b>85</b>	<b>97</b>	-	506		
			<input checked="" type="checkbox"/>																
			AG 100784	DNS	0.83	10.6	-1.11	5.9	6.0	22.2	71	-28	14.3	-11	10	7.02	4.4		
		SP	<input checked="" type="checkbox"/>	16.10.15	33												2		
105	DE VILLIERS AG & SEUN	AG 150231	AG 110061	NS540	<b>114</b>	<b>102</b>	<b>113</b>	<b>112</b>	<b>110</b>	<b>112</b>	<b>107</b>	<b>93</b>	<b>108</b>	<b>107</b>	<b>117</b>	-	150		
			<input checked="" type="checkbox"/>																
			VV 000370	DNS	-0.50	14.2	-0.77	7.1	20.0	30.0	126	-32	16.2	8	38	4.33	4.9		
		SP	<input checked="" type="checkbox"/>	01.05.15	26												3		
106	DE VILLIERS AG & SEUN	AG 150700	ADV 070154	NS365	<b>75</b>	<b>111</b>	<b>98</b>	<b>120</b>	<b>103</b>	<b>115</b>	<b>107</b>	<b>94</b>	<b>106</b>	<b>101</b>	<b>110</b>	-	378		
			<input checked="" type="checkbox"/>																
			AG 050061	DNS	3.67	18.3	-0.09	9.2	13.0	32.1	128	-35	14.2	3	28	7.32	4.4		
		SP	<input checked="" type="checkbox"/>	16.10.15	41												2		


### Koeie met Kalwers

107	DE VILLIERS AG & SEUN	AG 100184	VV 070122	NS365	<b>87</b>	<b>111</b>	<b>105</b>	<b>119</b>	<b>100</b>	<b>118</b>	<b>106</b>	<b>104</b>	<b>99</b>	<b>85</b>	<b>97</b>	-	BONMAG 200004		
			<input checked="" type="checkbox"/>																
			AG 040442	DNS	2.42	18.4	-0.42	9.1	10.0	34.4	126	-55	9.0	-11	10	6.67	03.01.20 (38)		
		SP	<input checked="" type="checkbox"/>	22.09.10	33												BONMAG 140311		
108	DE VILLIERS AG & SEUN	AG 100272	FCT 060109	NS365	<b>107</b>	<b>95</b>	<b>99</b>	<b>126</b>	<b>85</b>	<b>90</b>	<b>87</b>	<b>85</b>	<b>113</b>	<b>96</b>	<b>101</b>	-	BONFAG 200014		
			<input checked="" type="checkbox"/>																
			AG 990228	DNS	0.29	11.0	-0.13	11.1	-7.0	15.0	36	-15	20.0	-1	15	6.2	14.01.20 (36)		
		SP	<input checked="" type="checkbox"/>	09.10.10	31												BONMAG 160072		


### Lot 103

<p><b>AG 150251</b> SPN Mat. 96 OEK 33 TKP 513 RI 94 Oud/Kalw. 4/2 Gem. Si/Kalf 100/1</p>	<p><b>AG 110301</b> SPN Mat. 108</p> 	<p><b>VV 070012</b> SPN Mat. 112 Goud Elite-Goud <b>AG 040253</b> OEK 24 SPN Mat. 105 TKP 406 Oud/Kalw. 12/10 Gem. Si/Kalf 105/10 <b>AG 070230</b> SPN Mat. 92 <b>AG 090377</b> OEK 25 SPN Mat. 91 TKP 421 Oud/Kalw. 9/7 Gem. Si/Kalf 100/7</p>	<p><b>VV 040046</b> SPN Mat. 113 <b>VV 040214</b> SPN Mat. 115 <b>RAI 990034</b> SPN Mat. 89 <b>AG 980005</b> SPN Mat. 101 <b>AG 010289</b> SPN Mat. 113 <b>AG 050288</b> SPN Mat. 77 <b>AJF 040075</b> SPN Mat. 119 <b>AG 030387</b> SPN Mat. 74</p>
---	--	---	---


### Lot 104

<p><b>AG 150493</b> SPN Mat. 107 OEK 24 TKP 377 RI 123 Oud/Kalw. 3/2 Gem. Si/Kalf 107/2</p>	<p><b>AG 110028</b> SPN Mat. 114</p> 	<p><b>PAD 070131</b> SPN Mat. 82 Elite-Goud <b>AG 990231</b> OEK 34 SPN Mat. 129 TKP 384 Oud/Kalw. 13/11 Gem. Si/Kalf 108/10 <b>FCT 060109</b> SPN Mat. 119 <b>AG 100784</b> OEK 34 SPN Mat. 96 TKP 371 Oud/Kalw. 9/7 RI 110 Gem. Si/Kalf 95/6</p>	<p><b>EI 040038</b> SPN Mat. 93 <b>SLH 960053</b> SPN Mat. 89 <b>AG 950059</b> SPN Mat. 102 <b>AG 960322</b> SPN Mat. 97 <b>FCT 040101</b> SPN Mat. 89 <b>FCT 980024</b> SPN Mat. 112 <b>AG 960059</b> SPN Mat. 110 <b>AG 950033</b> SPN Mat. 82</p>
---	--	--	--

### Lot 105

<p><b>AG 150231</b> SPN Mat. 112 OEK 29 TKP 368 RI 113 Oud/Kalw. 4/3 Gem. Si/Kalf 108/3</p>	<p><b>AG 110061</b> SPN Mat. 123</p> 	<p><b>FCT 060109</b> SPN Mat. 119 <b>AG 030203</b> OEK 23 SPN Mat. 87 TKP 411 Oud/Kalw. 13/11 Gem. Si/Kalf 100/11 <b>VV 980271</b> SPN Mat. 92 <b>VV 970191</b> OEK 25 SPN Mat. 80 TKP 365 Oud/Kalw. 5/4 Gem. Si/Kalf 92/4</p>	<p><b>FCT 040101</b> SPN Mat. 89 <b>FCT 980024</b> SPN Mat. 112 <b>AG 000264</b> SPN Mat. 77 <b>AG 000163</b> SPN Mat. 104 <b>VV 960318</b> SPN Mat. 77 <b>VV 950081</b> SPN Mat. 110 <b>VV 950265</b> SPN Mat. 96 <b>VV N 0330</b> SPN Mat. 104</p>
---	--	--	--


### Lot 106

<p><b>AG 150700</b> SPN Mat. 120 OEK 25 TKP 461 RI 114 Oud/Kalw. 3/2 Gem. Si/Kalf 112/2</p>	<p><b>ADV 070154</b> SPN Mat. 109</p> 	<p><b>LAR 030398</b> SPN Mat. 71 <b>ADV 030008</b> OEK 31 SPN Mat. 126 TKP 377 Oud/Kalw. 16/13 Gem. Si/Kalf 107/11 <b>RAI 990034</b> SPN Mat. 89 <b>AG 990258</b> OEK 24 SPN Mat. 104 TKP 382 Oud/Kalw. 14/12 Gem. Si/Kalf 102/12</p>	<p><b>LAR 010297</b> SPN Mat. 71 <b>LAR 990031</b> SPN Mat. 86 <b>AG 980338</b> SPN Mat. 87 <b>AG 990103</b> SPN Mat. 105 <b>VV 950353</b> SPN Mat. 107 <b>RAI 950048</b> SPN Mat. 93 <b>AG 950284</b> SPN Mat. 59 <b>AG 930073</b> SPN Mat. 102</p>
---	---	---	--

### Lot 107

<p><b>AG 100184</b> SPN Mat. 119 OEK 24 TKP 381 RI 116 Oud/Kalw. 9/8 Gem. Si/Kalf 104/7</p>	<p><b>VV 070122</b> SPN Mat. 125 Goud <b>AG 040442</b> OEK 22 SPN Mat. 106 TKP 374 Oud/Kalw. 15/14 RI 117 Gem. Si/Kalf 103/13</p>	<p><b>VV 040323</b> SPN Mat. 132 Silver Elite-Goud <b>VV 010182</b> OEK 25 SPN Mat. 126 TKP 438 Oud/Kalw. 18/14 Gem. Si/Kalf 106/12 <b>AG 020145</b> SPN Mat. 90 Goud <b>AG 970190</b> OEK 25 SPN Mat. 101 TKP 387 Oud/Kalw. 15/13 Gem. Si/Kalf 102/13</p>	<p><b>VV 010112</b> SPN Mat. 127 <b>VV 000188</b> SPN Mat. 109 <b>NPT 910040</b> SPN Mat. 96 <b>VV 970023</b> SPN Mat. 133 <b>AG 980338</b> SPN Mat. 87 <b>AG 950012</b> SPN Mat. 120 <b>JRB H 0157</b> SPN Mat. 99 <b>AG 920017</b> SPN Mat. 79</p>
---	---	--	--

### Lot 108

<p><b>AG 100272</b> SPN Mat. 126 OEK 24 TKP 442 RI 106 Oud/Kalw. 9/7 Gem. Si/Kalf 109/6</p>	<p><b>FCT 060109</b> SPN Mat. 119</p> 	<p><b>FCT 040101</b> SPN Mat. 89 <b>FCT 980024</b> OEK 30 SPN Mat. 112 TKP 362 Oud/Kalw. 11/10 Gem. Si/Kalf 100/10 <b>HJL 960006</b> SPN Mat. 88 <b>AG 990228</b> OEK 28 SPN Mat. 111 TKP 387 Oud/Kalw. 14/12 RI 111 Gem. Si/Kalf 105/12</p>	<p><b>BG 960125</b> SPN Mat. 100 <b>FCT 020046</b> SPN Mat. 108 <b>ROM 920141</b> SPN Mat. 108 <b>RE 910118</b> SPN Mat. 117 <b>HJL 930042</b> SPN Mat. 102 <b>HJL L 0113</b> SPN Mat. 66 <b>JRB H 0157</b> SPN Mat. 99 <b>AG 900138</b> SPN Mat. 68</p>
---	---	--	--



## FEMALE ANIMALS


Lot	Seller	ID POLLED Gen	PARENTS		Test Genomic Tested DNA Birth Date	Breeding Value Indexes					MEASUREMENTS					R: Calf ID	Breeder Own Remarks			
			SIRE GV PV	DAM GV PV		Birth Dir Acc	Wean Dir Acc	Birth Mat Acc	Wean Mat Acc	Mat Wgt Acc	Post Wean Acc	ADG Acc	FCR Acc	SC Acc	Hgt Acc			Lgt Acc	LHR	Birth Date (Weight) Sire
			Progeny Birth Weight	Progeny Wean Weight		Ease of Calving	Milk prod.	Mature Weight	Post Wean Weight	Daily Gain	Feed Conv	Height & Length	BWR	WWR	GT / POLLED					

### Cows with Calves


109	DE VILLIERS AG & SEUN	AG 150028 P SP	JPL 090116	PW540	<b>98</b>	<b>103</b>	<b>91</b>	<b>89</b>	<b>89</b>	<b>105</b>	<b>97</b>	<b>88</b>	<b>116</b>	<b>103</b>	<b>104</b>	-	BONFAG 200019
			<input checked="" type="checkbox"/>	DNA	1.28	14.9	0.22	0.8	-2.0	25.3	83	-21	22.5	4	20	6.23	24.01.20 (36)
			AG 020185	03.02.15	80	76	68	68	48	70	49	31	52	53	52	34	BONMAG 130147
110	DE VILLIERS AG & SEUN	AG 150871 SP	AG 100080	PW365	<b>87</b>	<b>113</b>	<b>109</b>	<b>119</b>	<b>112</b>	<b>110</b>	<b>101</b>	<b>101</b>	<b>101</b>	<b>102</b>	<b>108</b>	-	BONMAG 200024
			<input checked="" type="checkbox"/>	DNA	2.36	19.2	-0.62	9.0	23.0	28.9	98	-48	10.4	3	25	9.44	31.01.20 (38)
			AG 110728	10.11.15	81	74	67	66	45	63	41	21	44	45	44	42.5	BONMAG 130147
111	DE VILLIERS AG & SEUN	AG 130459 SP	AG 090094	PW540	<b>105</b>	<b>97</b>	<b>87</b>	<b>123</b>	<b>97</b>	<b>103</b>	<b>102</b>	<b>99</b>	<b>108</b>	<b>97</b>	<b>106</b>	-	BONFAG 200007
			<input checked="" type="checkbox"/>	DNA	0.46	11.8	0.40	10.3	6.0	23.9	107	-44	16.0	-1	22	8.48	06.01.20 (33)
			AG 110352	03.11.13	80	78	67	76	51	68	42	21	46	47	46	-	BONMAG 140092
112	DE VILLIERS AG & SEUN	AG 120380 SP	AG 090082	PW540	<b>102</b>	<b>103</b>	<b>101</b>	<b>97</b>	<b>89</b>	<b>100</b>	<b>102</b>	<b>101</b>	<b>84</b>	<b>95</b>	<b>101</b>	-	BONMAG 200016
			<input checked="" type="checkbox"/>	DNA	0.80	14.6	-0.24	2.9	-2.0	21.8	103	-49	-2.8	-2	16	7.39	18.01.20 (34)
			AG 070232	21.10.12	82	79	73	78	48	64	46	24	50	50	49	44.6	BONMAG 140311
113	DE VILLIERS AG & SEUN	AG 110540 B	AG 060481	PW365	<b>81</b>	<b>106</b>	<b>79</b>	<b>87</b>	<b>82</b>	<b>95</b>	<b>91</b>	<b>90</b>	<b>103</b>	<b>97</b>	<b>102</b>	-	BONMAG 200021
			<input checked="" type="checkbox"/>	DNA	3.01	16.0	0.77	0.2	-10.0	18.5	55	-25	12.1	-1	17	-	26.01.20 (37)
			AG 000553	03.10.11	82	78	76	80	59	61	43	40	45	45	45	-	BONMAG 160072
114	DE VILLIERS AG & SEUN	AG 160177 SP	AG 120184	PW540	<b>103</b>	<b>94</b>	<b>96</b>	<b>102</b>	<b>89</b>	<b>96</b>	<b>87</b>	<b>89</b>	<b>98</b>	<b>87</b>	<b>92</b>	-	BONFAG 200015
			<input checked="" type="checkbox"/>	DNA	0.73	10.4	-0.02	4.5	-2.0	18.6	37	-24	7.9	-9	3	7.69	17.01.20 (33)
			AG 140059	30.08.16	77	70	57	51	32	65	36	19	37	38	37	-	BONMGZV 120062




**Lot 109**

<p><b>AG 150028 P</b>                  SPN Mat. 89                  AFC 32                  ICP 423                  RI 103                  Age/Calv. 5/3                  Avg. WI/Calf 109/2</p>	<p><b>JPL 090116 P</b>                  SPN Mat. 71</p>  <p>Elite-Gold</p> <p><b>AG 020185</b></p>	<p><b>GJN 060212</b>                  SPN Mat. 74                  Bronze</p> <p><b>JPL 070039 P</b>                  AFC 25 SPN Mat. 58                  ICP 357 Age/Calv. 5/4                  Avg. WI/Calf 89/4</p> <p><b>AG 960184</b>                  SPN Mat. 114</p> <p><b>AG 950103</b>                  AFC 28 SPN Mat. 109                  ICP 368 Age/Calv. 10/9                  Avg. WI/Calf 104/8</p>	<p><b>GJN 020101</b>                  SPN Mat. 44</p> <p><b>GJN 030114</b>                  SPN Mat. 96</p> <p><b>CEF 050400</b>                  SPN Mat. 83</p> <p><b>JPL 050003 P</b>                  SPN Mat. 71</p> <p><b>AG 940145</b>                  SPN Mat. 104</p> <p><b>AG J 0101</b>                  SPN Mat. 145</p> <p><b>AG H 0001</b>                  SPN Mat. 104</p> <p><b>AG 910220</b>                  SPN Mat. 128</p>
--	---	---	---


**Lot 110**

<p><b>AG 150871</b>                  SPN Mat. 119                  AFC 23                  ICP 414                  RI 118                  Age/Calv. 4/3                  Avg. WI/Calf 108/2</p>	<p><b>AG 100080</b>                  SPN Mat. 111</p>  <p><b>AG 110728</b></p>	<p><b>LAR 040233</b>                  SPN Mat. 88</p> <p><b>AG 050239</b>                  AFC 24 SPN Mat. 98                  ICP 452 Age/Calv. 4/3                  Avg. WI/Calf 104/3</p> <p><b>AG 080057</b>                  SPN Mat. 89</p> <p><b>AG 080780</b>                  AFC 23 SPN Mat. 117                  ICP 379 Age/Calv. 4/3                  Avg. WI/Calf 109/2</p>	<p><b>LAR 000084</b>                  SPN Mat. 102</p> <p><b>LAR 960212</b>                  SPN Mat. 88</p> <p><b>RCO 000091</b>                  SPN Mat. 70</p> <p><b>HDE 010106</b>                  SPN Mat. 125</p> <p><b>AG 030177</b>                  SPN Mat. 85</p> <p><b>AG 020124</b>                  SPN Mat. 89</p> <p><b>JJ 040115</b>                  SPN Mat. 121</p> <p><b>AG 050391</b>                  SPN Mat. 91</p>
---	---	---	--


**Lot 111**

<p><b>AG 130459</b>                  SPN Mat. 123                  AFC 35                  ICP 393                  RI 102                  Age/Calv. 6/4                  Avg. WI/Calf 107/4</p>	<p><b>AG 090094</b>                  SPN Mat. 98</p>  <p><b>AG 110352</b></p>	<p><b>WBB 070035</b>                  SPN Mat. 90</p> <p><b>AG 020194</b>                  AFC 25 SPN Mat. 75                  ICP 374 Age/Calv. 14/13                  Avg. WI/Calf 97/11</p> <p><b>PAD 070093</b>                  SPN Mat. 102</p> <p><b>AG 090423</b>                  AFC 24 SPN Mat. 115                  ICP 398 Age/Calv. 6/5                  Avg. WI/Calf 109/5</p>	<p><b>AG 020135</b>                  SPN Mat. 121</p> <p><b>LMR 030012</b>                  SPN Mat. 95</p> <p><b>AG 980338</b>                  SPN Mat. 87</p> <p><b>AG 960249</b>                  SPN Mat. 91</p> <p><b>CSW 030109</b>                  SPN Mat. 95</p> <p><b>AG 050042</b>                  SPN Mat. 102</p> <p><b>CEF 040431</b>                  SPN Mat. 90</p> <p><b>AG 980005</b>                  SPN Mat. 101</p>
---	--	---	---


**Lot 112**

<p><b>AG 120380</b>                  SPN Mat. 97                  AFC 35                  ICP 397                  RI 104                  Age/Calv. 7/5                  Avg. WI/Calf 96/4</p>	<p><b>AG 090082</b>                  SPN Mat. 101</p>  <p>Elite-Silver</p> <p><b>AG 070232</b></p>	<p><b>AG 050085</b>                  SPN Mat. 82</p> <p><b>AG 000005</b>                  AFC 32 SPN Mat. 132                  ICP 372 Age/Calv. 14/12                  Avg. WI/Calf 105/11</p> <p><b>AG 030205</b>                  SPN Mat. 84</p> <p><b>AG 030120</b>                  AFC 24 SPN Mat. 124                  ICP 375 Age/Calv. 7/6                  Avg. WI/Calf 106/6</p>	<p><b>AG 980012</b>                  SPN Mat. 69</p> <p><b>AG 010049</b>                  SPN Mat. 92</p> <p><b>AG 920046</b>                  SPN Mat. 123</p> <p><b>AG 910184</b>                  SPN Mat. 141</p> <p><b>AG 980338</b>                  SPN Mat. 87</p> <p><b>AG 960246</b>                  SPN Mat. 98</p> <p><b>AG 000010</b>                  SPN Mat. 125</p> <p><b>AG 000106</b>                  SPN Mat. 104</p>
---	---	--	---

**Lot 113**

<p><b>AG 110540</b>                  SPN Mat. 87                  AFC 36                  ICP 390                  RI 104                  Age/Calv. 8/6                  Avg. WI/Calf 97/5</p>	<p><b>AG 060481</b>                  SPN Mat. 90</p>  <p><b>AG 000553</b></p>	<p><b>LAR 010176</b>                  SPN Mat. 84</p> <p><b>AG 970157</b>                  AFC 25 SPN Mat. 105                  ICP 446 Age/Calv. 16/12                  Avg. WI/Calf 109/11</p> <p>SPN Mat.</p> <p>SPN Mat.</p> <p>SPN Mat.</p> <p>AFC SPN Mat.                  ICP Age/Calv. /                  Avg. WI/Calf /</p>	<p><b>AG 970048</b>                  SPN Mat. 91</p> <p><b>LAR 980262</b>                  SPN Mat. 93</p> <p><b>TBR 910704</b>                  SPN Mat. 77</p> <p><b>AG 940185</b>                  SPN Mat. 96</p> <p>SPN Mat.</p> <p>SPN Mat.</p> <p>SPN Mat.</p> <p>SPN Mat.</p>
---	--	---	---

**Lot 114**

<p><b>AG 160177</b>                  SPN Mat. 102                  AFC 27                  ICP 419                  RI 114                  Age/Calv. 3/2                  Avg. WI/Calf 112/1</p>	<p><b>AG 120184</b>                  SPN Mat. 107</p>  <p><b>AG 140059</b></p>	<p><b>AG 070126</b>                  SPN Mat. 111</p> <p>Elite-Bronze</p> <p><b>AG 090297</b>                  AFC 23 SPN Mat. 105                  ICP 375 Age/Calv. 9/8                  Avg. WI/Calf 99/7</p> <p><b>AG 090751</b>                  SPN Mat. 108</p> <p><b>AG 100260</b>                  AFC 25 SPN Mat. 84                  ICP 359 Age/Calv. 9/8                  Avg. WI/Calf 97/7</p>	<p><b>RCO 000091</b>                  SPN Mat. 70</p> <p><b>HTC 000027</b>                  SPN Mat. 133</p> <p><b>CEF 050503</b>                  SPN Mat. 90</p> <p><b>AG 050038</b>                  SPN Mat. 109</p> <p><b>CEF 040431</b>                  SPN Mat. 90</p> <p><b>AG 980250</b>                  SPN Mat. 127</p> <p><b>LAR 060034</b>                  SPN Mat. 114</p> <p><b>AG 070075</b>                  SPN Mat. 67</p>
---	---	--	--

## VROULIKE DIERE

Lot	Verkoper	ID POENA Gen	OUERS		Toets	Teelwaarde indekse										Kalf ID	Gebruiker Eie Opmerkings			
			VADER GV OV	MOEDER GV OV		Genomies Getoets	Geb Dir	Speen Dir	Geb Mat	Speen Mat	Volwas- se Gewig	Naspeen	GDT	VOV	SO			Hgt	Lgt	LHV
					DNS	Akk	Akk	Akk	Akk	Akk	Akk	Akk	Akk	Akk	Akk	Akk	Akk	GGV	Vaar	
					Geb. dat.	Gew kg	Gew kg	Ind	kg	kg	kg	365dM	540d Ind	Ind	Ind	(mm)	(mm)	(mm)	SGV	GT / POLLED


### Koeie met Kalwers

115	DE VILLIERS AG & SEUN	MGH 130061 SP	AG 080455	NS540	<b>87</b>	<b>113</b>	<b>101</b>	<b>103</b>	<b>130</b>	<b>114</b>	<b>106</b>	<b>101</b>	<b>106</b>	<b>96</b>	<b>105</b>	-	BONMAG 190764
			<input checked="" type="checkbox"/>		2.46	19.3	-0.24	4.5	43.0	31.1	124	-48	14.2	-2	22	-	25.10.19 (40)
			CEF 040065	DNS	83	79	76	79	64	63	47	28	51	51	50	-	BONMAJF 130331
					05.09.13	36											
116	DE VILLIERS AG & SEUN	AG 120145 SP	AG 080150	NS540	<b>124</b>	<b>98</b>	<b>130</b>	<b>107</b>	<b>88</b>	<b>91</b>	<b>96</b>	<b>99</b>	<b>105</b>	<b>86</b>	<b>99</b>	-	BONMAG 190427
			<input checked="" type="checkbox"/>		-1.50	12.5	-1.58	5.8	-4.0	15.7	78	-43	13.2	-10	13	6.75	15.10.19 (30)
			AG 100104	DNS	83	78	76	78	54	70	46	24	49	50	49	-	BONMCCV 150108
					16.09.12	26											
117	DE VILLIERS AG & SEUN	AG 100103 SP	AG 060469	NS540	<b>93</b>	<b>109</b>	<b>115</b>	<b>86</b>	<b>92</b>	<b>109</b>	<b>100</b>	<b>93</b>	<b>107</b>	<b>99</b>	<b>101</b>	-	BONMAG 191100
			<input checked="" type="checkbox"/>		1.82	17.3	-0.87	-0.1	1.0	28.0	96	-32	15.5	1	15	6.05	23.12.19 (38)
			AG 030228	DNS	85	81	80	84	52	74	48	30	52	53	51	-	BONMAG 170019
					22.03.10	36											31.2
118	DE VILLIERS AG & SEUN	AG 100450 SP	AG 060401	NS365	<b>101</b>	<b>92</b>	<b>99</b>	<b>97</b>	<b>92</b>	<b>93</b>	<b>104</b>	<b>103</b>	<b>95</b>	<b>91</b>	<b>93</b>	-	BONFAG 191090
			<input checked="" type="checkbox"/>		0.88	9.6	-0.17	2.9	1.0	16.8	113	-53	5.9	-6	4	7.64	19.12.19 (34)
			LTS 980057	DNS	85	82	80	83	67	72	56	45	59	59	58	-	BONMAG 170019
					05.11.10	34											


### Dragtige Koeie

119	DE VILLIERS AG & SEUN	AG 140503 SP	HART100095	NS365	<b>100</b>	<b>108</b>	<b>117</b>	<b>79</b>	<b>85</b>	<b>107</b>	<b>94</b>	<b>88</b>	<b>98</b>	<b>88</b>	<b>100</b>	-	123
			<input checked="" type="checkbox"/>		1.06	17.1	-0.97	-1.9	-7.0	26.4	66	-22	8.3	-8	14	-	5.5
			AG 110571	DNS	80	75	69	71	50	62	36	16	38	38	38	-	
					20.09.14	31											44.3
120	DE VILLIERS AG & SEUN	AG 130387 SP	WBB 080049	NS540	<b>90</b>	<b>97</b>	<b>114</b>	<b>75</b>	<b>75</b>	<b>93</b>	<b>91</b>	<b>90</b>	<b>103</b>	<b>94</b>	<b>97</b>	-	521
			<input checked="" type="checkbox"/>		2.11	12.1	-0.86	-3.1	-18.0	16.5	54	-25	11.9	-3	10	10	6.4
			AG 100736	DNS	82	76	71	71	55	62	51	24	54	54	53	-	
					19.10.13	34											53.2


### Lot 115

<p><b>MGH 130061</b> SPN Mat. 103 OEK 25 TKP 373 RI 118 Oud/Kalw. 6/5 Gem. Si/Kalf 108/4</p>	<p><b>AG 080455</b> SPN Mat. 91</p> 	<p><b>LAR 030398</b> SPN Mat. 71</p> <p><b>AG 020180</b> OEK 23 SPN Mat. 97 TKP 431 Oud/Kalw. 10/8 Gem. Si/Kalf 102/7</p> <p><b>CEF 990259</b> SPN Mat. 84</p> <p><b>CEF 960122</b> OEK 31 SPN Mat. 95 TKP 398 Oud/Kalw. 13/11 Gem. Si/Kalf 100/11</p>
<p><b>LAR 010297</b> SPN Mat. 71</p> <p><b>LAR 990031</b> SPN Mat. 86</p> <p><b>AG 980338</b> SPN Mat. 87</p> <p><b>AG 940001</b> SPN Mat. 99</p> <p><b>NPT 910020</b> SPN Mat. 87</p> <p><b>CEF 930130</b> SPN Mat. 87</p> <p><b>NFS K 0088</b> SPN Mat. 78</p> <p><b>HOT J 0177</b> SPN Mat. 112</p>	<p><b>CEF 040065</b> OEK 28 SPN Mat. 91 TKP 417 Oud/Kalw. 11/9 RI 107 Gem. Si/Kalf 99/9</p>	<p><b>AG 060173</b> OEK 23 SPN Mat. 84 TKP 382 Oud/Kalw. 12/11 Gem. Si/Kalf 97/11</p> <p><b>AG 060027</b> SPN Mat. 92</p> <p><b>BFB 000102</b> OEK 37 SPN Mat. 109 TKP 464 Oud/Kalw. 9/6 Gem. Si/Kalf 108/5</p>


### Lot 116

<p><b>AG 120145</b> SPN Mat. 107 OEK 36 TKP 376 RI 106 Oud/Kalw. 7/5 Gem. Si/Kalf 107/4</p>	<p><b>AG 080150</b> SPN Mat. 92</p> 	<p><b>EI 920079</b> SPN Mat. 129</p> <p><b>EI 920048</b> SPN Mat. 105</p> <p><b>AG 040401</b> SPN Mat. 84</p> <p><b>AG 040112</b> SPN Mat. 74</p> <p><b>LAR 010176</b> SPN Mat. 84</p> <p><b>AG 020147</b> SPN Mat. 123</p> <p><b>AG 960315</b> SPN Mat. 98</p> <p><b>FDEV940002</b> SPN Mat. 101</p>
<p><b>AG 100104</b> OEK 30 SPN Mat. 101 TKP 372 Oud/Kalw. 9/7 RI 113 Gem. Si/Kalf 99/7</p>	<p><b>EI 940339</b> SPN Mat. 117</p> <p><b>AG 060173</b> OEK 23 SPN Mat. 84 TKP 382 Oud/Kalw. 12/11 Gem. Si/Kalf 97/11</p> <p><b>AG 060027</b> SPN Mat. 92</p> <p><b>BFB 000102</b> OEK 37 SPN Mat. 109 TKP 464 Oud/Kalw. 9/6 Gem. Si/Kalf 108/5</p>	<p><b>AG 010245</b> SPN Mat. 69</p> <p><b>AG 960278</b> OEK 26 SPN Mat. 97 TKP 415 Oud/Kalw. 17/14 Gem. Si/Kalf 100/12</p> <p><b>AG 920094</b> SPN Mat. 119</p> <p><b>LTS 950090</b> OEK 30 SPN Mat. 88 TKP 364 Oud/Kalw. 3/2 Gem. Si/Kalf 100/2</p>


### Lot 117

<p><b>AG 100103</b> SPN Mat. 86 OEK 31 TKP 374 RI 112 Oud/Kalw. 10/8 Gem. Si/Kalf 102/7</p>	<p><b>AG 060469</b> SPN Mat. 82</p> 	<p><b>RAI 990034</b> SPN Mat. 89</p> <p><b>AG 030348</b> OEK 24 SPN Mat. 88 TKP 393 Oud/Kalw. 3/2 Gem. Si/Kalf 96/2</p> <p><b>RCO 980035</b> SPN Mat. 66</p> <p><b>AG 950083</b> OEK 36 SPN Mat. 94 TKP 415 Oud/Kalw. 15/12 Gem. Si/Kalf 102/11</p>
<p><b>VV 950353</b> SPN Mat. 107</p> <p><b>RAI 950048</b> SPN Mat. 93</p> <p><b>AG 010258</b> SPN Mat. 94</p> <p><b>AG 970294</b> SPN Mat. 88</p> <p><b>TBR 910704</b> SPN Mat. 77</p> <p><b>RCO 950062</b> SPN Mat. 79</p> <p><b>AG 910138</b> SPN Mat. 73</p> <p><b>AG 910205</b> SPN Mat. 111</p>	<p><b>AG 030228</b> OEK 23 SPN Mat. 92 TKP 412 Oud/Kalw. 15/13 RI 109 Gem. Si/Kalf 100/13</p>	<p><b>AG 010245</b> SPN Mat. 69</p> <p><b>AG 960278</b> OEK 26 SPN Mat. 97 TKP 415 Oud/Kalw. 17/14 Gem. Si/Kalf 100/12</p> <p><b>AG 920094</b> SPN Mat. 119</p> <p><b>LTS 950090</b> OEK 30 SPN Mat. 88 TKP 364 Oud/Kalw. 3/2 Gem. Si/Kalf 100/2</p>


### Lot 118

<p><b>AG 100450</b> SPN Mat. 97 OEK 34 TKP 382 RI 108 Oud/Kalw. 9/7 Gem. Si/Kalf 100/6</p>	<p><b>AG 060401</b> SPN Mat. 78</p> 	<p><b>AG 980338</b> SPN Mat. 87</p> <p><b>AG 960015</b> SPN Mat. 80</p> <p><b>AG J 0008</b> SPN Mat. 88</p> <p><b>AG 940027</b> SPN Mat. 113</p> <p><b>JRB H 0247</b> SPN Mat. 125</p> <p><b>AG N 0114</b> SPN Mat. 104</p> <p><b>LTS 920142</b> SPN Mat. 50</p> <p><b>LTS L 0121</b> SPN Mat. 135</p>
<p><b>LTS 980057</b> OEK 38 SPN Mat. 100 TKP 424 Oud/Kalw. 16/12 RI 100 Gem. Si/Kalf 102/10</p>	<p><b>AG 010245</b> SPN Mat. 69</p> <p><b>AG 960278</b> OEK 26 SPN Mat. 97 TKP 415 Oud/Kalw. 17/14 Gem. Si/Kalf 100/12</p> <p><b>AG 920094</b> SPN Mat. 119</p> <p><b>LTS 950090</b> OEK 30 SPN Mat. 88 TKP 364 Oud/Kalw. 3/2 Gem. Si/Kalf 100/2</p>	<p><b>AG 980311</b> SPN Mat. 88</p> <p><b>AG 980128</b> SPN Mat. 106</p> <p><b>LAR 010176</b> SPN Mat. 84</p> <p><b>AG 020223</b> SPN Mat. 118</p> <p><b>EXL 980189</b> SPN Mat. 119</p> <p><b>EXL 010058</b> SPN Mat. 115</p> <p><b>AEJ 020041</b> SPN Mat. 91</p> <p><b>MBZ 940041</b> SPN Mat. 121</p>

### Lot 119

<p><b>AG 140503</b> SPN Mat. 79 OEK 35 TKP 401 RI 100 Oud/Kalw. 5/3 Gem. Si/Kalf 93/3</p>	<p><b>HART100095</b> SPN Mat. 86</p> 	<p><b>WAT 020054</b> SPN Mat. 99</p> <p><b>WAT 000072</b> SPN Mat. 102</p> <p><b>NFS 940097</b> SPN Mat. 81</p> <p><b>BHE 970064</b> SPN Mat. 88</p> <p><b>EI 040038</b> SPN Mat. 93</p> <p><b>AG 040141</b> SPN Mat. 99</p> <p><b>AG 020224</b> SPN Mat. 81</p> <p><b>AG 940554</b> SPN Mat. 96</p>
<p><b>WAT 040339</b> SPN Mat. 111</p> <p><b>BHE 000055</b> OEK 28 SPN Mat. 77 TKP 431 Oud/Kalw. 13/10 Gem. Si/Kalf 98/8</p> <p><b>AG 070434</b> SPN Mat. 100</p> <p><b>AG 050503</b> OEK 32 SPN Mat. 74 TKP 381 Oud/Kalw. 14/12 Gem. Si/Kalf 95/11</p>	<p><b>AG 110571</b> OEK 35 SPN Mat. 92 TKP 504 Oud/Kalw. 7/4 RI 88 Gem. Si/Kalf 102/4</p>	<p><b>AG 020172</b> SPN Mat. 75</p> <p><b>WBB 060009</b> OEK 30 SPN Mat. 94 TKP 402 Oud/Kalw. 9/7 Gem. Si/Kalf 99/7</p> <p><b>EXL 040039</b> SPN Mat. 119</p> <p><b>AG 050235</b> OEK 24 SPN Mat. 91 TKP 390 Oud/Kalw. 9/8 Gem. Si/Kalf 96/8</p>

### Lot 120

<p><b>AG 130387</b> SPN Mat. 75 OEK 33 TKP 401 RI 103 Oud/Kalw. 5/3 Gem. Si/Kalf 93/4</p>	<p><b>WBB 080049</b> SPN Mat. 79</p>  <p>Elite-Brons</p> <p><b>AG 100736</b></p>	<p><b>AG 980311</b> SPN Mat. 88</p> <p><b>AG 980128</b> SPN Mat. 106</p> <p><b>LAR 010176</b> SPN Mat. 84</p> <p><b>AG 020223</b> SPN Mat. 118</p> <p><b>EXL 980189</b> SPN Mat. 119</p> <p><b>EXL 010058</b> SPN Mat. 115</p> <p><b>AEJ 020041</b> SPN Mat. 91</p> <p><b>MBZ 940041</b> SPN Mat. 121</p>
<p><b>AG 100736</b> OEK 35 SPN Mat. 108 TKP 377 Oud/Kalw. 8/6 RI 107 Gem. Si/Kalf 102/6</p>	<p><b>AG 020172</b> SPN Mat. 75</p> <p><b>WBB 060009</b> OEK 30 SPN Mat. 94 TKP 402 Oud/Kalw. 9/7 Gem. Si/Kalf 99/7</p> <p><b>EXL 040039</b> SPN Mat. 119</p> <p><b>AG 050235</b> OEK 24 SPN Mat. 91 TKP 390 Oud/Kalw. 9/8 Gem. Si/Kalf 96/8</p>	<p><b>AG 980311</b> SPN Mat. 88</p> <p><b>AG 980128</b> SPN Mat. 106</p> <p><b>LAR 010176</b> SPN Mat. 84</p> <p><b>AG 020223</b> SPN Mat. 118</p> <p><b>EXL 980189</b> SPN Mat. 119</p> <p><b>EXL 010058</b> SPN Mat. 115</p> <p><b>AEJ 020041</b> SPN Mat. 91</p> <p><b>MBZ 940041</b> SPN Mat. 121</p>


## FEMALE ANIMALS

Lot	Seller	ID	PARENTS	Test	Breeding Value Indexes											Days Open	Breeder Own Remarks		
					DIRECT CALF TRAITS		DAUGHTER TRAITS			GROWTH		EFF.	REP	MEASURE-MENTS				R:	
					Progeny Birth Weight	Progeny Wean Weight	Ease of Calving	Milk prod.	Mature Weight	Post Wean Weight	Daily Gain	Feed Conv			Height & Length				
			SIRE GV PV	Genomic Tested	Birth Dir	Wean Dir	Birth Mat	Wean Mat	Mat Wgt	Post Wean	ADG	FCR	SC	Hgt	Lgt	LHR	Age		
		POLLED	DAM GV PV	DNA	Acc	Acc	Acc	Acc	Acc	Acc	Acc	Acc	Acc	Acc	Acc	BWR	Calves		
		Gen		Birth Date	Wgt kg	Wgt kg Ind	kg	kg	kg	365d Ind	540d Ind	Ind	Ind	(mm)	(mm)	(mm)			


## Pregnant Cows

121	DE VILLIERS AG & SEUN	AG 130236	TOR 050216	PW540	<b>94</b>	<b>101</b>	<b>99</b>	<b>121</b>	<b>126</b>	<b>100</b>	<b>102</b>	<b>107</b>	<b>97</b>	<b>106</b>	<b>104</b>	-	137
			<input checked="" type="checkbox"/>		1.69	13.8	-0.15	9.7	38.0	22.0	104	-61	6.9	6	19	7.39	6.5
			AG 080798	DNA	83	79	77	79	59	72	50	30	52	53	52		
		SP	<input checked="" type="checkbox"/>	27.09.13	34											35.3	5
122	DE VILLIERS AG & SEUN	AG 120105	FCT 060109	PW540	<b>97</b>	<b>97</b>	<b>98</b>	<b>112</b>	<b>106</b>	<b>90</b>	<b>95</b>	<b>87</b>	<b>115</b>	<b>94</b>	<b>104</b>	-	152
			<input checked="" type="checkbox"/>		1.36	12.0	-0.09	7.0	16.0	14.4	72	-19	21.6	-4	20	7.25	7.7
			AG 090276	DNA	79	74	79	81	55	68	52	27	54	54	54		
		SP	<input checked="" type="checkbox"/>	18.07.12	29											39.6	6
123	DE VILLIERS AG & SEUN	AG 120162	WBB 080049	PW540	<b>81</b>	<b>110</b>	<b>94</b>	<b>96</b>	<b>103</b>	<b>108</b>	<b>105</b>	<b>104</b>	<b>107</b>	<b>96</b>	<b>102</b>	-	512
			<input checked="" type="checkbox"/>		3.05	17.7	0.08	2.9	13.0	27.4	120	-55	15.1	-2	16	8.54	7.5
			AG 090162	DNA	82	78	72	77	52	68	51	26	53	53	53		
		SP	<input checked="" type="checkbox"/>	18.09.12	35											-	4
124	DE VILLIERS AG & SEUN	AG 130540	GZV 100249	PW540	<b>80</b>	<b>110</b>	<b>95</b>	<b>100</b>	<b>116</b>	<b>110</b>	<b>105</b>	<b>106</b>	<b>103</b>	<b>92</b>	<b>96</b>	-	469
			<input checked="" type="checkbox"/>		3.16	18.0	0.01	3.9	27.0	28.4	118	-59	11.9	-5	8	-	6.5
			AG 090554	DNA	80	76	68	74	60	62	42	26	45	45	44		
		SP	<input checked="" type="checkbox"/>	26.09.13	40											-	4
125	DE VILLIERS AG & SEUN	TEW 130001	TEW 090119	PW540	<b>81</b>	<b>105</b>	<b>97</b>	<b>101</b>	<b>79</b>	<b>100</b>	<b>87</b>	<b>85</b>	<b>103</b>	<b>94</b>	<b>98</b>	-	151
			<input checked="" type="checkbox"/>		3.04	15.8	-0.06	4.0	-13.0	21.7	37	-14	12.1	-3	11	7.5	7.1
			TEW 060068	DNA	81	71	73	76	61	54	44	21	48	49	47		
		SP	<input checked="" type="checkbox"/>	05.02.13	42											-	5
126	DE VILLIERS AG & SEUN	AG 130151	CEF 100327	PW540	<b>103</b>	<b>114</b>	<b>131</b>	<b>106</b>	<b>104</b>	<b>109</b>	<b>98</b>	<b>99</b>	<b>103</b>	<b>93</b>	<b>100</b>	-	511
			<input checked="" type="checkbox"/>		0.70	19.6	-1.62	5.5	14.0	27.6	87	-44	12.4	-4	14	8.72	6.5
			AG 100341	DNA	83	79	73	78	55	69	49	26	51	52	51		
		SP	<input checked="" type="checkbox"/>	14.09.13	34											46.6	4


**Lot 121**

<p><b>AG 130236</b>                  SPN Mat. 121                  AFC 25                  ICP 363                  RI 119                  Age/Calv. 6/5                  Avg. WI/Calf 106/5</p>	<p><b>TOR 050216</b>                  SPN Mat. 108</p>  <p>Elite-Gold</p> <p><b>AG 080798</b></p>	<p><b>AG 010051</b>                  SPN Mat. 107</p> <p><b>RAI 020013</b>                  AFC 25 SPN Mat. 109                  ICP 370 Age/Calv. 3/2                  Avg. WI/Calf 110/2</p> <p><b>CEF 040431</b>                  SPN Mat. 90</p> <p><b>AG 010117</b>                  AFC 30 SPN Mat. 114                  ICP 431 Age/Calv. 10/7                  Avg. WI/Calf 104/6</p>	<p><b>AG 960059</b>                  SPN Mat. 110  <b>AG 920184</b>                  SPN Mat. 102  <b>EI 940339</b>                  SPN Mat. 117  <b>RAI 910021</b>                  SPN Mat. 94  <b>CEF 020328</b>                  SPN Mat. 90  <b>CEF 950055</b>                  SPN Mat. 85  <b>AG 960059</b>                  SPN Mat. 110  <b>AG 960263</b>                  SPN Mat. 116</p>
---	--	---	---


**Lot 122**

<p><b>AG 120105</b>                  SPN Mat. 112                  AFC 31                  ICP 342                  RI 117                  Age/Calv. 7/6                  Avg. WI/Calf 105/6</p>	<p><b>FCT 060109</b>                  SPN Mat. 119</p>  <p>Elite-Gold</p> <p><b>AG 090276</b></p>	<p><b>FCT 040101</b>                  SPN Mat. 89</p> <p><b>FCT 980024</b>                  AFC 30 SPN Mat. 112                  ICP 362 Age/Calv. 11/10                  Avg. WI/Calf 100/10</p> <p><b>CEF 050503</b>                  SPN Mat. 90</p> <p><b>AG 050167</b>                  AFC 24 SPN Mat. 110                  ICP 370 Age/Calv. 7/6                  Avg. WI/Calf 105/5</p>	<p><b>BG 960125</b>                  SPN Mat. 100  <b>FCT 020046</b>                  SPN Mat. 108  <b>ROM 920141</b>                  SPN Mat. 108  <b>RE 910118</b>                  SPN Mat. 117  <b>CEF 030453</b>                  SPN Mat. 104  <b>CEF 030001</b>                  SPN Mat. 96  <b>FAN 000010</b>                  SPN Mat. 104  <b>AG 030111</b>                  SPN Mat. 98</p>
---	--	---	--


**Lot 123**

<p><b>AG 120162</b>                  SPN Mat. 96                  AFC 33                  ICP 407                  RI 104                  Age/Calv. 6/4                  Avg. WI/Calf 101/4</p>	<p><b>WBB 080049</b>                  SPN Mat. 79</p>  <p><b>AG 090162</b></p>	<p><b>AG 020172</b>                  SPN Mat. 75</p> <p><b>WBB 060009</b>                  AFC 30 SPN Mat. 94                  ICP 402 Age/Calv. 9/7                  Avg. WI/Calf 99/7</p> <p><b>VOG 060012</b>                  SPN Mat. 89</p> <p><b>AG 060029</b>                  AFC 31 SPN Mat. 86                  ICP 372 Age/Calv. 12/10                  Avg. WI/Calf 101/9</p>	<p><b>AG 980311</b>                  SPN Mat. 88  <b>AG 980128</b>                  SPN Mat. 106  <b>LAR 010176</b>                  SPN Mat. 84  <b>AG 020223</b>                  SPN Mat. 118  <b>JJF 010005</b>                  SPN Mat. 67  <b>VOG 020010</b>                  SPN Mat. 125  <b>AG 030205</b>                  SPN Mat. 84  <b>AG 980161</b>                  SPN Mat. 87</p>
--	---	--	---


**Lot 124**

<p><b>AG 130540</b>                  SPN Mat. 100                  AFC 26                  ICP 368                  RI 118                  Age/Calv. 5/4                  Avg. WI/Calf 103/3</p>	<p><b>GZV 100249</b>                  SPN Mat. 88</p>  <p><b>AG 090554</b></p>	<p><b>AG 060151</b>                  SPN Mat. 94</p> <p>Elite-Gold</p> <p><b>GZV 060255</b>                  AFC 24 SPN Mat. 92                  ICP 372 Age/Calv. 10/9                  Avg. WI/Calf 99/9</p> <p><b>LAR 030398</b>                  SPN Mat. 71</p> <p><b>AG 990581</b>                  AFC * SPN Mat. 122                  ICP 424 Age/Calv. *7/7                  Avg. WI/Calf 106/7</p>	<p><b>AG 020251</b>                  SPN Mat. 120  <b>AG 990287</b>                  SPN Mat. 87  <b>PHR 030036</b>                  SPN Mat. 116  <b>PHR 980186</b>                  SPN Mat. 88  <b>LAR 010297</b>                  SPN Mat. 71  <b>LAR 990031</b>                  SPN Mat. 86</p>
---	---	--	---

**Lot 125**

<p><b>TEW 130001</b>                  SPN Mat. 101                  AFC 33                  ICP 359                  RI 111                  Age/Calv. 7/5                  Avg. WI/Calf 102/5</p>	<p><b>TEW 090119</b>                  SPN Mat. 110</p>  <p><b>TEW 060068</b></p>	<p><b>BG 040081</b>                  SPN Mat. 118</p> <p><b>TEW 070014</b>                  AFC 31 SPN Mat. 90                  ICP 414 Age/Calv. 11/8                  Avg. WI/Calf 100/8</p> <p><b>LAR 010017</b>                  SPN Mat. 102</p> <p><b>TEW 000053</b>                  AFC 31 SPN Mat. 97                  ICP 383 Age/Calv. 13/11                  Avg. WI/Calf 99/10</p>	<p><b>BG 020058</b>                  SPN Mat. 116  <b>BG 930066</b>                  SPN Mat. 101  <b>TEW 040067</b>                  SPN Mat. 63  <b>TEW 040119</b>                  SPN Mat. 90  <b>AG 970053</b>                  SPN Mat. 90  <b>LAR 960331</b>                  SPN Mat. 106  <b>T 940060</b>                  SPN Mat. 115  <b>TEW 930039</b>                  SPN Mat. 89</p>
--	---	---	--

**Lot 126**


<p><b>AG 130151</b>                  SPN Mat. 106                  AFC 24                  ICP 373                  RI 119                  Age/Calv. 5/4                  Avg. WI/Calf 111/4</p>	<p><b>CEF 100327</b>                  SPN Mat. 91</p>  <p><b>AG 100341</b></p>	<p><b>CEF 070468</b>                  SPN Mat. 96</p> <p><b>CEF 070171</b>                  AFC 31 SPN Mat. 98                  ICP 374 Age/Calv. 6/4                  Avg. WI/Calf 103/4</p> <p><b>MBT 070136</b>                  SPN Mat. 114                  Silver</p> <p><b>AG 080323</b>                  AFC 25 SPN Mat. 87                  ICP 366 Age/Calv. 11/10                  Avg. WI/Calf 99/9</p>	<p><b>CEF 030447</b>                  SPN Mat. 98  <b>CEF 000042</b>                  SPN Mat. 109  <b>CEF 040431</b>                  SPN Mat. 90  <b>CEF 980117</b>                  SPN Mat. 107  <b>CEG 050021</b>                  SPN Mat. 123  <b>CEG 040233</b>                  SPN Mat. 96  <b>JJ 040115</b>                  SPN Mat. 121  <b>AG 050386</b>                  SPN Mat. 66</p>
---	---	--	---









### Lot 127

<p><b>AG 130607</b> SPN Mat. 96 OEK 35 TKP 377 RI 105 Oud/Kalw. 6/4 Gem. SI/Kalf 105/4</p>		<p><b>AG 070494</b> SPN Mat. 87</p> <p><b>AG 070564</b> SPN Mat. 95 Oud/Kalw. 12/9 Gem. SI/Kalf 104/7</p>	<p><b>WAT 030085</b> SPN Mat. 101</p> <p><b>AG 020002</b> OEK 32 SPN Mat. 62 TKP 368 Oud/Kalw. 7/5 Gem. SI/Kalf 82/6</p> <p><b>AG 030026</b> SPN Mat. 68</p> <p><b>AG 980578</b> OEK * SPN Mat. 95 TKP 368 Oud/Kalw. *7/7 Gem. SI/Kalf 97/7</p>	<p><b>WAT 000200</b> SPN Mat. 113 <b>WAT 980109</b> SPN Mat. 114 <b>EI 940339</b> SPN Mat. 117 <b>AG 990006</b> SPN Mat. 80 <b>AG 980338</b> SPN Mat. 87 <b>AG 930049</b> SPN Mat. 80</p>
--	---	---	---	---


### Lot 128

<p><b>AG 130527</b> SPN Mat. 99 OEK 25 TKP 362 RI 119 Oud/Kalw. 6/5 Gem. SI/Kalf 100/5</p>		<p><b>AG 070494</b> SPN Mat. 87</p> <p><b>AG 060565</b> SPN Mat. 119 Oud/Kalw. 13/11 Gem. SI/Kalf 109/10</p>	<p><b>WAT 030085</b> SPN Mat. 101</p> <p><b>AG 020002</b> OEK 32 SPN Mat. 62 TKP 368 Oud/Kalw. 7/5 Gem. SI/Kalf 82/6</p> <p><b>AG 040077</b> SPN Mat. 77</p> <p><b>AG 970674</b> OEK * SPN Mat. 103 TKP 362 Oud/Kalw. *6/6 Gem. SI/Kalf 100/6</p>	<p><b>WAT 000200</b> SPN Mat. 113 <b>WAT 980109</b> SPN Mat. 114 <b>EI 940339</b> SPN Mat. 117 <b>AG 990006</b> SPN Mat. 80 <b>AG 980338</b> SPN Mat. 87 <b>AG 980093</b> SPN Mat. 92</p>
--	---	--	---	---


### Lot 129

<p><b>AG 140410</b> SPN Mat. 97 OEK 34 TKP 516 RI 92 Oud/Kalw. 4/2 Gem. SI/Kalf 104/2</p>		<p><b>AG 100069</b> SPN Mat. 111</p> <p><b>AG 090113</b> SPN Mat. 95 Oud/Kalw. 5/4 Gem. SI/Kalf 110/4</p>	<p><b>AG 060027</b> SPN Mat. 92</p> <p><b>AG 990243</b> OEK 24 SPN Mat. 136 TKP 463 Oud/Kalw. 16/12 Gem. SI/Kalf 104/11</p> <p><b>AG 020127</b> SPN Mat. 81</p> <p><b>WBB 060038</b> OEK 31 SPN Mat. 83 TKP 450 Oud/Kalw. 10/7 Gem. SI/Kalf 96/7</p>	<p><b>LAR 010176</b> SPN Mat. 84 <b>AG 020147</b> SPN Mat. 123 <b>AG 960233</b> SPN Mat. 105 <b>AG 950147</b> SPN Mat. 120 <b>AG 000264</b> SPN Mat. 77 <b>AG 990119</b> SPN Mat. 85 <b>AG 020265</b> SPN Mat. 73 <b>WBB 020003</b> SPN Mat. 98</p>
---	---	---	--	---


### Lot 130

<p><b>AG 150912</b> SPN Mat. 108 OEK 33 TKP 426 RI 101 Oud/Kalw. 4/2 Gem. SI/Kalf 104/1</p>		<p><b>AG 120231</b> SPN Mat. 102</p> <p><b>AG 130708</b> SPN Mat. 106 Oud/Kalw. 6/5 Gem. SI/Kalf 99/5</p>	<p><b>AG 090094</b> SPN Mat. 98 Elite-Goud</p> <p><b>AG 100035</b> OEK 31 SPN Mat. 105 TKP 371 Oud/Kalw. 10/8 Gem. SI/Kalf 104/7</p> <p><b>AG 100080</b> SPN Mat. 111</p> <p><b>AG 090754</b> OEK 34 SPN Mat. 94 TKP 372 Oud/Kalw. 10/8 Gem. SI/Kalf 103/7</p>	<p><b>WBB 070035</b> SPN Mat. 90 <b>AG 020194</b> SPN Mat. 75 <b>AG 060027</b> SPN Mat. 92 <b>AG 980218</b> SPN Mat. 122 <b>LAR 040233</b> SPN Mat. 88 <b>AG 050239</b> SPN Mat. 98 <b>AG 050085</b> SPN Mat. 82 <b>AG 030308</b> SPN Mat. 99</p>
---	---	---	--	---

### Lot 131

<p><b>AG 150803</b> SPN Mat. 97 OEK 23 TKP 377 RI 122 Oud/Kalw. 4/3 Gem. SI/Kalf 100/2</p>		<p><b>AG 110192</b> SPN Mat. 103</p> <p><b>AG 090754</b> SPN Mat. 94 Oud/Kalw. 10/8 Gem. SI/Kalf 103/7</p>	<p><b>VV 070012</b> SPN Mat. 112 Goud</p> <p><b>AG 030031</b> OEK 30 SPN Mat. 94 TKP 475 Oud/Kalw. 12/8 Gem. SI/Kalf 99/8</p> <p><b>AG 050085</b> SPN Mat. 82</p> <p><b>AG 030308</b> OEK 23 SPN Mat. 99 TKP 407 Oud/Kalw. 13/11 Gem. SI/Kalf 107/10</p>	<p><b>VV 040046</b> SPN Mat. 113 <b>VV 040214</b> SPN Mat. 115 <b>AG 990142</b> SPN Mat. 94 <b>AG 980093</b> SPN Mat. 92 <b>AG 980012</b> SPN Mat. 69 <b>AG 010049</b> SPN Mat. 92 <b>RCO 980035</b> SPN Mat. 66 <b>AG 970096</b> SPN Mat. 101</p>
--	---	--	--	--

### Lot 132

<p><b>AG 150825</b> SPN Mat. 103 OEK 33 TKP 415 RI 101 Oud/Kalw. 4/2 Gem. SI/Kalf 106/1</p>		<p><b>AG 110192</b> SPN Mat. 103</p> <p><b>AG 060024</b> SPN Mat. 100 Oud/Kalw. 14/11 Gem. SI/Kalf 106/9</p>	<p><b>VV 070012</b> SPN Mat. 112 Goud</p> <p><b>AG 030031</b> OEK 30 SPN Mat. 94 TKP 475 Oud/Kalw. 12/8 Gem. SI/Kalf 99/8</p> <p><b>AG 030143</b> SPN Mat. 83</p> <p><b>AG 030248</b> OEK 28 SPN Mat. 82 TKP 355 Oud/Kalw. 5/4 Gem. SI/Kalf 93/3</p>	<p><b>VV 040046</b> SPN Mat. 113 <b>VV 040214</b> SPN Mat. 115 <b>AG 990142</b> SPN Mat. 94 <b>AG 980093</b> SPN Mat. 92 <b>AG J 0008</b> SPN Mat. 88 <b>AG 000143</b> SPN Mat. 61 <b>RCO 980035</b> SPN Mat. 66 <b>AG 960190</b> SPN Mat. 95</p>
---	---	--	--	---

## FEMALE ANIMALS


Lot	Seller	ID	PARENTS	Test	Breeding Value Indexes											R:	Calf ID	Breeder Own Remarks				
					DIRECT CALF TRAITS		DAUGHTER TRAITS			GROWTH		EFF.	REP	MEASURE-MENTS								
		POLLED		Gen		SIRE	PV	Genomic Tested	Birth Dir	Wean Dir	Birth Mat	Wean Mat	Mat Wgt	Post Wean	ADG	FCR	SC	Hgt	Lgt	LHR	Birth Date (Weight)	
						DAM	PV	DNA	Acc	Acc	Acc	Acc	Acc	Acc	Acc	Acc	Acc	Acc	Acc	BWR	Sire	
						GV	PV	Birth Date	Wgt kg	Wgt kg	Ind	kg	kg	kg	365dM	540dInd	Ind	Ind	(mm)	(mm)	(mm)	GT / POLLED

### Cows with Calves


133	DE VILLIERS AG & SEUN	AG 160225	AG 100438	PW540	<b>91</b>	<b>94</b>	<b>107</b>	<b>99</b>	<b>88</b>	<b>91</b>	<b>84</b>	<b>82</b>	<b>103</b>	<b>90</b>	<b>98</b>	-	BONFAG 190882	
			<input checked="" type="checkbox"/>		1.94	10.5	-0.54	3.6	-3.0	15.6	23	-9	12.0	-7	11	6.94	04.11.19 (34)	
			AG 120248	DNA	79	73	65	54	41	68	47	24	50	50	49		BONMAG 150202	
		SP	<input checked="" type="checkbox"/>	20.09.16	34											40.8		
134	DE VILLIERS AG & SEUN	AG 160718	HCO 090044	PW540	<b>112</b>	<b>109</b>	<b>116</b>	<b>100</b>	<b>106</b>	<b>104</b>	<b>105</b>	<b>104</b>	<b>113</b>	<b>96</b>	<b>102</b>	-	BONFAG 191055	
			<input checked="" type="checkbox"/>		-0.29	17.2	-0.95	3.7	17.0	24.2	118	-55	20.1	-1	16	7.33	04.12.19 (33)	
			AG 080156	DNA	80	74	69	62	49	70	51	35	54	55	54		BONMAG 130147	
		SP	<input checked="" type="checkbox"/>	04.11.16	33											37.8		
135	DE VILLIERS AG & SEUN	AG 160346	AG 090751	PW540	<b>112</b>	<b>95</b>	<b>122</b>	<b>95</b>	<b>99</b>	<b>96</b>	<b>88</b>	<b>94</b>	<b>92</b>	<b>85</b>	<b>91</b>	-	BONFAG 190939	
			<input checked="" type="checkbox"/>		-0.20	11.1	-1.20	2.5	9.0	18.6	41	-34	3.0	-11	2	6.44	11.11.19 (33)	
			AG 090327	DNA	81	74	69	62	47	70	52	31	55	55	54		BONMAG 160441	
		SP	<input checked="" type="checkbox"/>	12.10.16	29											41		
136	DE VILLIERS AG & SEUN	AG 100788	AG 050263	PW365	<b>97</b>	<b>110</b>	<b>100</b>	<b>106</b>	<b>89</b>	<b>103</b>	<b>98</b>	<b>103</b>	<b>86</b>	<b>90</b>	<b>100</b>	-	BONMAG 190927	
			<input checked="" type="checkbox"/>		1.35	17.8	-0.18	5.4	-2.0	23.8	88	-53	-1.7	-7	15	6.06	10.11.19 (35)	
			AG 060060	DNA	85	81	80	83	64	72	55	36	57	57	56		BONMAG 160072	
		SP	<input checked="" type="checkbox"/>	29.11.10	32											-		
137	DE VILLIERS AG & SEUN	AG 100035	AG 060027	PW540	<b>92</b>	<b>107</b>	<b>116</b>	<b>105</b>	<b>102</b>	<b>93</b>	<b>98</b>	<b>99</b>	<b>95</b>	<b>82</b>	<b>100</b>	-	BONMAG 190907	
			<input checked="" type="checkbox"/>		1.90	16.3	-0.91	5.3	11.0	16.5	88	-43	5.4	-13	13	5.76	07.11.19 (36)	
			AG 980218	DNA	87	83	83	85	65	79	59	30	62	62	61		BONMAG 150176	
		SP	<input checked="" type="checkbox"/>	24.02.10	34											42.9		
138	DE VILLIERS AG & SEUN	MCU 100005	MCU 060034	PW540	<b>110</b>	<b>91</b>	<b>109</b>	<b>108</b>	<b>84</b>	<b>95</b>	<b>96</b>	<b>97</b>	<b>95</b>	<b>101</b>	<b>99</b>	-	BONMAG 190871	
			<input checked="" type="checkbox"/>		-0.08	9.3	-0.63	6.0	-7.0	18.2	75	-39	5.6	2	13	-	02.11.19 (34)	
			MCU 050023	DNA	86	82	80	82	43	75	39	32	42	42	41		BONMAG 150176	
		SP	<input checked="" type="checkbox"/>	30.01.10	35											48.9		

1.03	13.3	-0.20	3.8	10	21.7	96	-46	9.6	2	14
------	------	-------	-----	----	------	----	-----	-----	---	----


**Lot 133**

<p><b>AG 160225</b>                  SPN Mat. 99                  AFC 25                  ICP 388                  RI 121                  Age/Calv. 3/2                  Avg. WI/Calf 94/1</p>	<p><b>AG 100438</b>                  SPN Mat. 110</p> 	<p><b>AG 120248</b>                  SPN Mat. 86                  Age/Calv. 7/5</p>	<p><b>CSW 010014</b>                  SPN Mat. 95</p>	<p><b>AG 990115</b>                  AFC 30 SPN Mat. 120                  ICP 403 Age/Calv. 14/11                  Avg. WI/Calf 102/11</p>	<p><b>AG 070126</b>                  SPN Mat. 111</p>	<p><b>AG 090002</b>                  AFC 32 SPN Mat. 108                  ICP 369 Age/Calv. 10/8                  Avg. WI/Calf 107/8</p>	<p><b>BG 960125</b>                  SPN Mat. 100  <b>CSW 980048</b>                  SPN Mat. 113  <b>AG 920046</b>                  SPN Mat. 123  <b>AG 900105</b>                  SPN Mat. 103  <b>RCO 000091</b>                  SPN Mat. 70  <b>HTC 000027</b>                  SPN Mat. 133  <b>AG 030029</b>                  SPN Mat. 65  <b>AG 980061</b>                  SPN Mat. 116</p>


**Lot 134**

<p><b>AG 160718</b>                  SPN Mat. 100                  AFC 25                  ICP 370                  RI 122                  Age/Calv. 3/2                  Avg. WI/Calf 115/1</p>	<p><b>HCO 090044</b>                  SPN Mat. 111</p> 	<p><b>AG 080156</b>                  AFC 25 SPN Mat. 91                  ICP 366 Age/Calv. 10/9                  RI 117 Avg. WI/Calf 101/8</p>	<p><b>VV 030346</b>                  SPN Mat. 115</p>	<p>Elite-Gold  <b>HJB 060044</b>                  AFC 26 SPN Mat. 94                  ICP 384 Age/Calv. 11/9                  Avg. WI/Calf 101/9</p>	<p><b>AG 020251</b>                  SPN Mat. 120                  Gold</p>	<p><b>AG 040285</b>                  AFC 22 SPN Mat. 70                  ICP 349 Age/Calv. 11/11                  Avg. WI/Calf 100/9</p>	<p><b>VV 000318</b>                  SPN Mat. 87  <b>VV 970265</b>                  SPN Mat. 136  <b>RCO 010162</b>                  SPN Mat. 69  <b>HJB 010959</b>                  SPN Mat. 111  <b>AG 980338</b>                  SPN Mat. 87  <b>AG 950206</b>                  SPN Mat. 127  <b>RAI 990034</b>                  SPN Mat. 89  <b>AG 960341</b>                  SPN Mat. 75</p>


**Lot 135**

<p><b>AG 160346</b>                  SPN Mat. 95                  AFC 24                  ICP 390                  RI 122                  Age/Calv. 3/2                  Avg. WI/Calf 95/1</p>	<p><b>AG 090751</b>                  SPN Mat. 108</p> 	<p><b>AG 090327</b>                  AFC 25 SPN Mat. 83                  ICP 360 Age/Calv. 10/9                  RI 119 Avg. WI/Calf 98/8</p>	<p><b>CEF 040431</b>                  SPN Mat. 90</p>	<p><b>AG 980250</b>                  AFC 35 SPN Mat. 127                  ICP 443 Age/Calv. 15/11                  Avg. WI/Calf 106/10</p>	<p><b>CEF 040431</b>                  SPN Mat. 90</p>	<p><b>AG 030272</b>                  AFC 23 SPN Mat. 84                  ICP 380 Age/Calv. 12/11                  Avg. WI/Calf 96/11</p>	<p><b>CEF 020328</b>                  SPN Mat. 90  <b>CEF 950055</b>                  SPN Mat. 85  <b>AG 950059</b>                  SPN Mat. 102  <b>AG 940258</b>                  SPN Mat. 110  <b>CEF 020328</b>                  SPN Mat. 90  <b>CEF 950055</b>                  SPN Mat. 85  <b>FAN 000010</b>                  SPN Mat. 104  <b>AG 010158</b>                  SPN Mat. 77</p>


**Lot 136**

<p>Elite-Silver  <b>AG 100788</b>                  SPN Mat. 106                  AFC 35                  ICP 370                  RI 110                  Age/Calv. 9/7                  Avg. WI/Calf 105/6</p>	<p><b>AG 050263</b>                  SPN Mat. 116</p> 	<p><b>AG 060060</b>                  AFC 32 SPN Mat. 94                  ICP 356 Age/Calv. 6/4                  RI 111 Avg. WI/Calf 104/4</p>	<p><b>AG 030256</b>                  SPN Mat. 86</p>	<p><b>AG 950255</b>                  AFC 29 SPN Mat. 129                  ICP 416 Age/Calv. 16/13                  Avg. WI/Calf 105/12</p>	<p><b>AG 010245</b>                  SPN Mat. 69</p>	<p><b>AG 990047</b>                  AFC 35 SPN Mat. 85                  ICP 364 Age/Calv. 15/13                  Avg. WI/Calf 95/12</p>	<p><b>AG 980338</b>                  SPN Mat. 87  <b>AG 930063</b>                  SPN Mat. 101  <b>AG 920282</b>                  SPN Mat. 113  <b>AG 900152</b>                  SPN Mat. 101  <b>AG 980338</b>                  SPN Mat. 87  <b>AG 960015</b>                  SPN Mat. 80  <b>RCO 940144</b>                  SPN Mat. 78  <b>AG 910220</b>                  SPN Mat. 128</p>

**Lot 137**

<p>Elite-Gold  <b>AG 100035</b>                  SPN Mat. 105                  AFC 31                  ICP 371                  RI 112                  Age/Calv. 10/8                  Avg. WI/Calf 104/7</p>	<p><b>AG 060027</b>                  SPN Mat. 92</p> 	<p><b>AG 980218</b>                  AFC 24 SPN Mat. 122                  ICP 384 Age/Calv. 16/14                  RI 114 Avg. WI/Calf 107/14</p>	<p><b>LAR 010176</b>                  SPN Mat. 84</p>	<p><b>AG 020147</b>                  AFC 25 SPN Mat. 123                  ICP 404 Age/Calv. 13/11                  Avg. WI/Calf 110/11</p>	<p><b>AG 960256</b>                  SPN Mat. 115</p>	<p><b>AG 960322</b>                  AFC 23 SPN Mat. 97                  ICP 399 Age/Calv. 15/13                  Avg. WI/Calf 97/13</p>	<p><b>AG 970048</b>                  SPN Mat. 91  <b>LAR 980262</b>                  SPN Mat. 93  <b>AG 980200</b>                  SPN Mat. 100  <b>AG 990256</b>                  SPN Mat. 137  <b>AG D 0103</b>                  SPN Mat. 91  <b>AG 900191</b>                  SPN Mat. 106  <b>AG 920031</b>                  SPN Mat. 102  <b>AG 930028</b>                  SPN Mat. 101</p>

**Lot 138**

<p><b>MCU 100005 P</b>                  SPN Mat. 108                  AFC 38                  ICP 400                  RI 101                  Age/Calv. 10/7                  Avg. WI/Calf 103/7</p>	<p><b>MCU 060034 P</b>                  SPN Mat. 123</p> 	<p><b>MCU 050023</b>                  AFC 33 SPN Mat. 77                  ICP 407 Age/Calv. 12/9                  RI 105 Avg. WI/Calf 100/9</p>	<p><b>MCU 040126 P</b>                  SPN Mat. 91                  Silver</p>	<p><b>MCU 030163</b>                  AFC 36 SPN Mat. 113                  ICP 388 Age/Calv. 10/8                  Avg. WI/Calf 103/7</p>	<p><b>RAI 010095</b>                  SPN Mat. 57</p>	<p><b>MCU 020186 P</b>                  AFC 33 SPN Mat. 93                  ICP Age/Calv. 3/1                  Avg. WI/Calf 98/1</p>	<p><b>VV 010230</b>                  SPN Mat. 59  <b>MCU 980047 P</b>                  SPN Mat. 116  <b>NFS 950146 Pp(c)</b>                  SPN Mat. 125  <b>CEG 930067 P</b>                  SPN Mat. 81  <b>AG 960059</b>                  SPN Mat. 110  <b>RAI 960056</b>                  SPN Mat. 96  <b>BIS 980106 P</b>                  SPN Mat. 81  <b>NFS 910070 P</b>                  SPN Mat. 107</p>


## VROULIKE DIERE

Lot	Verkoper	ID	POENA	Gen	OUERS		Toets	Teelwaarde indekse									Kalf ID	Gebruiker Eie Opmerkings		
					VADER GV OV	MOEDER GV OV		Geb Dir	Speen Dir	Geb Mat	Speen Mat	Volw Gew	Naspeen	GDT	VOV	SO			Hgt	Lgt
					DNS	Akk	Akk	Akk	Akk	Akk	Akk	Akk	Akk	Akk	Akk	Akk	Akk	GGV	Vaar	
					Geb. dat.	Gew kg	Gew kg	Ind	kg	kg	kg	365dM Ind	540d Ind	Ind	Ind	(mm)	(mm)	(mm)	SGV	GT / POLLED


### Koeie met Kalwers

139	DE VILLIERS AG & SEUN	AG 100014	AJF 040075	NS540	<b>105</b>	<b>106</b>	<b>120</b>	<b>120</b>	<b>108</b>	<b>98</b>	<b>101</b>	<b>99</b>	<b>99</b>	<b>113</b>	<b>111</b>	-	BONMAG 190434
					0.54	15.8	-1.11	9.5	19.0	20.2	98	-45	9.0	12	29	3.94	16.10.19 (37)
			AG 990047	DNS	85	81	79	81	58	72	56	26	59	59	58	32.4	BONMAG 150176
140	DE VILLIERS AG & SEUN	AG 150257	AG 120720	NS365	<b>95</b>	<b>110</b>	<b>100</b>	<b>98</b>	<b>93</b>	<b>111</b>	<b>97</b>	<b>101</b>	<b>100</b>	<b>86</b>	<b>92</b>	-	BONMAG 190456
					1.52	17.7	-0.18	3.1	2.0	29.6	82	-48	9.3	-10	3	7.32	17.10.19 (34)
			AG 120512	DNS	80	73	68	63	33	59	34	17	36	37	36	-	BONMAG 120225
141	DE VILLIERS AG & SEUN	AG 150279	AG 120225	NS365	<b>117</b>	<b>96</b>	<b>112</b>	<b>104</b>	<b>88</b>	<b>97</b>	<b>96</b>	<b>100</b>	<b>100</b>	<b>98</b>	<b>99</b>	-	BONMAG 191108
					-0.76	11.4	-0.73	5.0	-3.0	19.5	79	-45	10.0	0	13	5.85	27.12.19 (34)
			AG 120140	DNS	80	73	67	63	37	64	38	17	40	41	40	-	-
142	DE VILLIERS AG & SEUN	AG 110354	PAD 070093	NS365	<b>103</b>	<b>98</b>	<b>129</b>	<b>92</b>	<b>68</b>	<b>92</b>	<b>100</b>	<b>98</b>	<b>97</b>	<b>97</b>	<b>99</b>	-	BONMAG 190485
					0.75	12.6	-1.52	1.6	-25.0	15.8	94	-42	6.9	-1	13	8.1	19.10.19 (31)
			AG 090064	DNS	85	82	80	83	61	73	49	25	53	53	52	-	BONMAG 140092
143	DE VILLIERS AG & SEUN	AG 110328	AG 050263	NS365	<b>89</b>	<b>109</b>	<b>89</b>	<b>118</b>	<b>91</b>	<b>104</b>	<b>99</b>	<b>104</b>	<b>86</b>	<b>91</b>	<b>101</b>	-	BONFAG 191064
					2.16	17.2	0.29	8.9	0.0	24.3	93	-54	-1.1	-6	16	7.23	08.12.19 (38)
			AG 060060	DNS	84	79	79	81	64	70	55	36	57	57	56	-	BONMRHJ 150002
144	DE VILLIERS AG & SEUN	AG 120175	PAD 070093	NS540	<b>111</b>	<b>94</b>	<b>89</b>	<b>94</b>	<b>80</b>	<b>96</b>	<b>94</b>	<b>93</b>	<b>102</b>	<b>97</b>	<b>97</b>	-	BONMAG 190394
					-0.17	10.6	0.29	2.0	-11.0	18.6	66	-32	11.3	-1	10	7.8	12.10.19 (35)
			AG 090101	DNS	83	79	76	79	53	70	48	21	51	52	50	51.5	BONMAG 130080


### Lot 139

<p><b>AG 100014</b> SPN Mat. 120 OEK 30 TKP 434 RI 102 Oud/Kalw. 10/7 Gem. Sl/Kalf 109/6</p>		<p><b>AJF 040075</b> SPN Mat. 119</p> <p><b>AG 990047</b> SPN Mat. 85 Oud/Kalw. 15/13 Gem. Sl/Kalf 95/12</p>	<p><b>KTB 920139</b> SPN Mat. 95 <b>GTH K 0046</b> SPN Mat. 132 <b>AJF 960288</b> SPN Mat. 111 <b>AJF 950272</b> SPN Mat. 110 <b>RCO H 0086</b> SPN Mat. 89 <b>RCO N 0096</b> SPN Mat. 98 <b>AG J 0008</b> SPN Mat. 88 <b>AG K 0148</b> SPN Mat. 151</p>
<p>OEK 35 TKP 364 RI 113</p>		<p>OEK 36 TKP 473</p> <p>OEK * TKP</p>	<p>SPN Mat. 116 Oud/Kalw. 6/3 Gem. Sl/Kalf 109/3</p> <p>SPN Mat. 78</p> <p>SPN Mat. 128 Oud/Kalw. *8 Gem. Sl/Kalf 108/7</p>


### Lot 140

<p><b>AG 150257</b> SPN Mat. 98 OEK 29 TKP 354 RI 115 Oud/Kalw. 4/3 Gem. Sl/Kalf 107/2</p>		<p><b>AG 120720</b> SPN Mat. 107</p> <p><b>AG 120512</b> SPN Mat. 89 Oud/Kalw. 6/4 Gem. Sl/Kalf 96/4</p>	<p><b>LAR 020101</b> SPN Mat. 95 <b>LAR 980130</b> SPN Mat. 114 <b>MMJ 030052</b> SPN Mat. 118 <b>AG 990322</b> SPN Mat. 95 <b>AG 060431</b> SPN Mat. 79 <b>AG 970024</b> SPN Mat. 98 <b>AG 040158</b> SPN Mat. 108 <b>AG 950515</b> SPN Mat. 96</p>
<p>OEK 33 TKP 442 RI 99</p>		<p>OEK 36 TKP 457</p> <p>OEK 36 TKP 368</p>	<p>SPN Mat. 114 SPN Mat. 106 Oud/Kalw. 7/4 Gem. Sl/Kalf 107/2</p> <p>SPN Mat. 84</p> <p>SPN Mat. 95 Oud/Kalw. 10/8 Gem. Sl/Kalf 100/7</p>


### Lot 141

<p><b>AG 150279</b> SPN Mat. 104 OEK 27 TKP 405 RI 113 Oud/Kalw. 4/3 Gem. Sl/Kalf 103/2</p>		<p><b>AG 120225</b> SPN Mat. 108</p> <p><b>AG 120140</b> SPN Mat. 103 Oud/Kalw. 4/2 Gem. Sl/Kalf 94/2</p>	<p><b>LAR 020101</b> SPN Mat. 95 <b>LAR 980130</b> SPN Mat. 114 <b>AG 000100</b> SPN Mat. 92 <b>AG 020201</b> SPN Mat. 67 <b>CSW 030109</b> SPN Mat. 95 <b>AG 050042</b> SPN Mat. 102 <b>CEF 040431</b> SPN Mat. 90 <b>AG 030120</b> SPN Mat. 124</p>
<p>OEK 34 TKP 442 RI 98</p>		<p>OEK 26 TKP 424</p> <p>OEK 35 TKP 467</p>	<p>SPN Mat. 99 Oud/Kalw. 15/12 Gem. Sl/Kalf 102/11</p> <p>SPN Mat. 117 Oud/Kalw. 5/3 Gem. Sl/Kalf 105/3</p>


### Lot 142

<p><b>AG 110354</b> SPN Mat. 92 OEK 23 TKP 371 RI 119 Oud/Kalw. 8/7 Gem. Sl/Kalf 98/6</p>		<p><b>PAD 070093</b> SPN Mat. 102</p> <p><b>AG 090064</b> SPN Mat. 87 Oud/Kalw. 10/8 Gem. Sl/Kalf 98/8</p>	<p><b>CSW 990118</b> SPN Mat. 80 <b>CSW 010103</b> SPN Mat. 102 <b>RAI 990034</b> SPN Mat. 89 <b>AG 960148</b> SPN Mat. 126 <b>VV 010230</b> SPN Mat. 59 <b>VV 000463</b> SPN Mat. 115 <b>AG 000264</b> SPN Mat. 77 <b>AG 000163</b> SPN Mat. 104</p>
<p>OEK 32 TKP 392 RI 108</p>		<p>OEK 29 TKP 377</p> <p>OEK 23 TKP 411</p>	<p>SPN Mat. 95</p> <p>SPN Mat. 102 Oud/Kalw. 10/8 Gem. Sl/Kalf 101/7</p> <p>SPN Mat. 70</p> <p>SPN Mat. 87 Oud/Kalw. 13/11 Gem. Sl/Kalf 100/11</p>

### Lot 143

<p>Elite-Bronz <b>AG 110328</b> SPN Mat. 118 OEK 34 TKP 390 RI 106 Oud/Kalw. 8/6 Gem. Sl/Kalf 105/5</p>		<p><b>AG 050263</b> SPN Mat. 116</p> <p><b>AG 060060</b> SPN Mat. 94 Oud/Kalw. 6/4 Gem. Sl/Kalf 104/4</p>	<p><b>AG 980338</b> SPN Mat. 87 <b>AG 930063</b> SPN Mat. 101 <b>AG 920282</b> SPN Mat. 113 <b>AG 900152</b> SPN Mat. 101 <b>AG 980338</b> SPN Mat. 87 <b>AG 960015</b> SPN Mat. 80 <b>RCO 940144</b> SPN Mat. 78 <b>AG 910220</b> SPN Mat. 128</p>
<p>OEK 32 TKP 356 RI 111</p>		<p>OEK 29 TKP 416</p> <p>OEK 35 TKP 364</p>	<p>SPN Mat. 129 Oud/Kalw. 16/13 Gem. Sl/Kalf 105/12</p> <p>SPN Mat. 69</p> <p>SPN Mat. 85 Oud/Kalw. 15/13 Gem. Sl/Kalf 95/12</p>

### Lot 144

<p><b>AG 120175</b> SPN Mat. 94 OEK 34 TKP 388 RI 106 Oud/Kalw. 7/5 Gem. Sl/Kalf 92/4</p>		<p><b>PAD 070093</b> SPN Mat. 102</p> <p><b>AG 090101</b> SPN Mat. 106 Oud/Kalw. 10/8 Gem. Sl/Kalf 98/8</p>	<p><b>CSW 990118</b> SPN Mat. 80 <b>CSW 010103</b> SPN Mat. 102 <b>RAI 990034</b> SPN Mat. 89 <b>AG 960148</b> SPN Mat. 126 <b>NPT 910022</b> SPN Mat. 107 <b>LA 980114</b> SPN Mat. 108 <b>AG 020145</b> SPN Mat. 90 <b>AG 950083</b> SPN Mat. 94</p>
<p>OEK 31 TKP 369 RI 113</p>		<p>OEK 29 TKP 377</p> <p>OEK 22 TKP 406</p>	<p>SPN Mat. 95</p> <p>SPN Mat. 102 Oud/Kalw. 10/8 Gem. Sl/Kalf 101/7</p> <p>SPN Mat. 111</p> <p>SPN Mat. 90 Oud/Kalw. 13/11 Gem. Sl/Kalf 100/10</p>



## FEMALE ANIMALS


Lot	Seller	ID	PARENTS	Test	Breeding Value Indexes											R:	Days Open	Breeder Own Remarks
					DIRECT CALF TRAITS		DAUGHTER TRAITS			GROWTH		EFF.	REP	MEASURE-MENTS				
		POLLED	SIRE GV PV	Genomic Tested	Progeny Birth Weight	Progeny Wean Weight	Ease of Calving	Milk prod.	Mature Weight	Post Wean Weight	Daily Gain	Feed Conv		Height & Length				
		Gen	DAM GV PV	DNA	Acc	Acc	Acc	Acc	Acc	Acc	Acc	Acc	Acc	Acc	Acc	Acc	LHR	
				Birth Date	Wgt kg	Wgt kg	Ind	kg	kg	kg	365d Ind	540d Ind	Ind	Ind	(mm)	(mm)	(mm)	Age
																		Calves

## Pregnant Cows


145	DE VILLIERS AG & SEUN	GZV 100281 SP	AG 060151	PW365	<b>105</b>	<b>86</b>	<b>93</b>	<b>113</b>	<b>91</b>	<b>88</b>	<b>89</b>	<b>93</b>	<b>88</b>	<b>90</b>	<b>90</b>	-	127
					0.45	7.0	0.13	7.6	0.0	13.5	44	-31	0.1	-7	0	7.5	9.3
			GZV 060341	07.11.10	36												
146	DE VILLIERS AG & SEUN	JMP 100185 SP	JMP 060140	PW365	<b>120</b>	<b>94</b>	<b>76</b>	<b>95</b>	<b>73</b>	<b>103</b>	<b>102</b>	<b>105</b>	<b>102</b>	<b>91</b>	<b>96</b>	-	138
					-1.06	10.6	0.90	2.5	-19.0	23.7	104	-56	11.4	-6	9	6.52	9.5
			JMP 080071	26.08.10	29												
147	DE VILLIERS AG & SEUN	AG 100003 SP	AG 070249	PW540	<b>102</b>	<b>104</b>	<b>100</b>	<b>100</b>	<b>86</b>	<b>97</b>	<b>95</b>	<b>103</b>	<b>107</b>	<b>85</b>	<b>92</b>	-	113
					0.78	15.2	-0.19	3.8	-5.0	19.6	73	-53	15.3	-10	3	6.87	10.1
			AG 070050	DNA	20.01.10	34											
148	DE VILLIERS AG & SEUN	AG 100116 SP	CEF 040431	PW540	<b>104</b>	<b>102</b>	<b>149</b>	<b>88</b>	<b>95</b>	<b>97</b>	<b>81</b>	<b>94</b>	<b>84</b>	<b>76</b>	<b>85</b>	-	133
					0.61	14.2	-2.45	0.4	4.0	19.8	7	-34	-3.2	-18	-7	5.04	9.9
			AG 980238	DNA	03.04.10	30											
149	DE VILLIERS AG & SEUN	AG 100802 SP	HJB 050052	PW365	<b>107</b>	<b>99</b>	<b>83</b>	<b>112</b>	<b>84</b>	<b>105</b>	<b>103</b>	<b>98</b>	<b>100</b>	<b>110</b>	<b>107</b>	-	114
					0.26	12.8	0.56	7.2	-7.0	25.1	111	-42	9.7	10	23	8.33	9.3
			AG 070706	DNA	04.12.10	34											
150	DE VILLIERS AG & SEUN	AG 110233 SP	PAD 070100	PW365	<b>118</b>	<b>106</b>	<b>136</b>	<b>89</b>	<b>89</b>	<b>97</b>	<b>106</b>	<b>97</b>	<b>104</b>	<b>106</b>	<b>108</b>	-	158
					-0.91	15.8	-1.85	0.7	-2.0	19.8	125	-40	13.1	7	25	6.32	8.4
			AG 990048	DNA	05.10.11	29											




**Lot 145**

<p><b>GZV 100281</b>                  SPN Mat. 113                  AFC 36                  ICP 440                  RI 97                  Age/Calv. 9/6                  Avg. WI/Calf 103/6</p>	<p><b>AG 060151</b>                  SPN Mat. 94</p> 	<p><b>AG 020251</b>                  SPN Mat. 120                  Gold</p>	<p><b>AG 980338</b>                  SPN Mat. 87  <b>AG 950206</b>                  SPN Mat. 127  <b>AG 970055</b>                  SPN Mat. 109  <b>AG 950091</b>                  SPN Mat. 86  <b>JRB 930173</b>                  SPN Mat. 66  <b>JRB 900162</b>                  SPN Mat. 109</p>
<p><b>GZV 060341</b>                  AFC 24                  ICP 381                  RI 116</p>	<p>SPN Mat. 108                  Age/Calv. 10/9                  Avg. WI/Calf 101/8</p>	<p><b>AG 990011</b>                  SPN Mat. 85                  Age/Calv. */5                  Avg. WI/Calf 98/5</p>	<p>SPN Mat.</p>


**Lot 146**

<p><b>JMP 100185</b>                  SPN Mat. 95                  AFC 26                  ICP 366                  RI 117                  Age/Calv. 9/8                  Avg. WI/Calf 101/8</p>	<p><b>JMP 060140</b>                  SPN Mat. 94                  Gold</p> 	<p><b>FCT 970024</b>                  SPN Mat. 92</p>	<p><b>LEL 900027</b>                  SPN Mat. 74  <b>JVD 910053</b>                  SPN Mat. 107  <b>JMP 010116</b>                  SPN Mat. 92  <b>JMP 010219</b>                  SPN Mat. 108  <b>AG 980338</b>                  SPN Mat. 87  <b>AG 950155</b>                  SPN Mat. 134  <b>GBS 020067</b>                  SPN Mat. 81  <b>RCO 020008</b>                  SPN Mat. 108</p>
<p><b>JMP 080071</b>                  AFC 28                  ICP 388                  RI 115</p>	<p>SPN Mat. 112                  Age/Calv. 2/1                  Avg. WI/Calf 98/1</p>	<p><b>AG 020338</b>                  SPN Mat. 111</p>	<p><b>JMP 050428</b>                  SPN Mat. 111                  Age/Calv. 13/11                  Avg. WI/Calf 103/10</p>


**Lot 147**

<p><b>AG 100003</b>                  SPN Mat. 100                  AFC 32                  ICP 437                  RI 101                  Age/Calv. 10/7                  Avg. WI/Calf 103/7</p>	<p><b>AG 070249</b>                  SPN Mat. 86</p> 	<p><b>LAR 010297</b>                  SPN Mat. 71  <b>LAR 990317</b>                  SPN Mat. 87  <b>AG 020145</b>                  SPN Mat. 90  <b>AG 950083</b>                  SPN Mat. 94  <b>AG 980338</b>                  SPN Mat. 87  <b>AG 930063</b>                  SPN Mat. 101  <b>AG 960097</b>                  SPN Mat. 69  <b>AG 940314</b>                  SPN Mat. 106</p>	
			<p><b>LAR 030312</b>                  SPN Mat. 104</p>
<p><b>AG 070050</b>                  AFC 35                  ICP 443                  RI 96</p>	<p>SPN Mat. 104                  Age/Calv. 4/2                  Avg. WI/Calf 107/2</p>	<p><b>AG 040372</b>                  SPN Mat. 90                  Age/Calv. 13/11                  Avg. WI/Calf 100/10</p>	<p><b>AG 030256</b>                  SPN Mat. 86</p>


**Lot 148**

<p><b>AG 100116</b>                  SPN Mat. 88                  AFC 30                  ICP 370                  RI 114                  Age/Calv. 10/8                  Avg. WI/Calf 101/8</p>	<p><b>CEF 040431</b>                  SPN Mat. 90</p> 	<p><b>CEF 020328</b>                  SPN Mat. 90</p>	<p><b>CEF 000278</b>                  SPN Mat. 65  <b>CEF 990108</b>                  SPN Mat. 99  <b>LA 910155</b>                  SPN Mat. 66  <b>CEF 930035</b>                  SPN Mat. 102  <b>AG C 0016</b>                  SPN Mat. 52  <b>AG X 0072</b>                  SPN Mat. 137  <b>AG J 0008</b>                  SPN Mat. 88  <b>AG 900194</b>                  SPN Mat. 84</p>
<p><b>AG 980238</b>                  AFC 24                  ICP 371                  RI 117</p>	<p>SPN Mat. 78                  Age/Calv. 14/13                  Avg. WI/Calf 98/12</p>	<p><b>AG 950055</b>                  SPN Mat. 85                  Age/Calv. 15/12                  Avg. WI/Calf 102/11</p>	<p><b>AG 930051</b>                  SPN Mat. 75                  Age/Calv. 17/14                  Avg. WI/Calf 97/12</p>

**Lot 149**

<p><b>AG 100802</b>                  SPN Mat. 112                  AFC 24                  ICP 364                  RI 119                  Age/Calv. 9/8                  Avg. WI/Calf 102/8</p>	<p><b>HJB 050052</b>                  SPN Mat. 111</p> 	<p><b>JVD E 0075</b>                  SPN Mat. 56  <b>NPT L 0129</b>                  SPN Mat. 143  <b>LA 900195</b>                  SPN Mat. 101  <b>LA 950062</b>                  SPN Mat. 113  <b>AG 980338</b>                  SPN Mat. 87  <b>AG 950206</b>                  SPN Mat. 127  <b>AG 930109</b>                  SPN Mat. 74  <b>AG 940006</b>                  SPN Mat. 93</p>	
			<p><b>NPT 910022</b>                  SPN Mat. 107</p>
<p><b>AG 070706</b>                  AFC 25                  ICP 477                  RI 106</p>	<p>SPN Mat. 117                  Age/Calv. 6/4                  Avg. WI/Calf 102/3</p>	<p><b>LA 980114</b>                  SPN Mat. 108                  Age/Calv. 7/4                  Avg. WI/Calf 106/4</p>	<p><b>AG 020251</b>                  SPN Mat. 120                  Gold</p>

**Lot 150**

<p><b>AG 110233</b>                  SPN Mat. 89                  AFC 24                  ICP 368                  RI 119                  Age/Calv. 8/7                  Avg. WI/Calf 102/7</p>	<p><b>PAD 070100</b>                  SPN Mat. 105</p> 	<p><b>EI 980080</b>                  SPN Mat. 88  <b>EI 990057</b>                  SPN Mat. 101  <b>AG J 0008</b>                  SPN Mat. 88  <b>AG H 0036</b>                  SPN Mat. 113  <b>AG C 0016</b>                  SPN Mat. 52  <b>AG D 0186</b>                  SPN Mat. 127  <b>AG J 0008</b>                  SPN Mat. 88  <b>AG 910058</b>                  SPN Mat. 86</p>	
			<p><b>EI 040038</b>                  SPN Mat. 93</p>
<p><b>AG 990048</b>                  AFC 29                  ICP 410                  RI 107</p>	<p>SPN Mat. 88                  Age/Calv. 12/10                  Avg. WI/Calf 97/10</p>	<p><b>AG 910197</b>                  SPN Mat. 114                  Age/Calv. 17/15                  Avg. WI/Calf 100/15</p>	<p><b>AG 930109</b>                  SPN Mat. 74</p>



## VROULIKE DIERE

Lot	Verkoper	ID	POENA	Gen	OUERS		Toets	Teelwaarde indekse										Dae Oop	Gebruiker Eie Opmerkings					
					VADER	MOEDER		Geb Dir		Speen Dir		Geb Mat	Speen Mat	Volw Gew	Naspeen		GDT			VOV	SO	Hgt	Lgt	LHV
					GV	OV		Akk	Akk	Akk	Akk	Akk	Akk	Akk	Akk	Akk	Akk			Akk	Akk	Akk	Akk	Akk
				Geb. dat.	Gew kg	Gew kg	Ind	kg	kg	kg	365d Ind	540d Ind	Ind	Ind	(mm)	(mm)	(mm)	SGV	Kalwers					



### Dragtige Koeie

151	DE VILLIERS AG & SEUN	AG 110239	SP	MBT 070136	NS365	<b>110</b>	<b>89</b>	<b>97</b>	<b>111</b>	<b>90</b>	<b>91</b>	<b>90</b>	<b>99</b>	<b>104</b>	<b>88</b>	<b>88</b>	-	137
				AG 080168	DNS	-0.01	8.3	-0.06	6.9	-2.0	15.3	47	-44	13.2	-8	-2	7.69	8.4
					06.10.11	30												
152	DE VILLIERS AG & SEUN	AG 110305	SP	PAD 070064	NS365	<b>97</b>	<b>98</b>	<b>90</b>	<b>115</b>	<b>85</b>	<b>98</b>	<b>97</b>	<b>99</b>	<b>110</b>	<b>88</b>	<b>94</b>	-	106
				AG 030272	DNS	1.33	12.5	0.28	8.0	-7.0	20.2	82	-43	17.6	-8	6	7.35	8.4
					14.10.11	36												
153	DE VILLIERS AG & SEUN	AG 130737	SP	AG 110192	NS540	<b>84</b>	<b>114</b>	<b>124</b>	<b>71</b>	<b>95</b>	<b>112</b>	<b>101</b>	<b>101</b>	<b>107</b>	<b>77</b>	<b>94</b>	-	119
				AG 090719	DNS	2.68	19.6	-1.31	-4.2	4.0	29.8	101	-49	15.3	-17	6	7.12	6.2
					18.12.13	37												
154	DE VILLIERS AG & SEUN	AG 130716	SP	AG 110204	NS540	<b>111</b>	<b>92</b>	<b>99</b>	<b>103</b>	<b>78</b>	<b>91</b>	<b>104</b>	<b>103</b>	<b>105</b>	<b>84</b>	<b>95</b>	-	134
				AG 070467	DNS	-0.13	9.8	-0.17	4.7	-14.0	15.2	116	-53	13.8	-11	8	6.46	6.3
					25.11.13	32												
155	DE VILLIERS AG & SEUN	AG 130101	SP	AG 100163	NS540	<b>113</b>	<b>97</b>	<b>95</b>	<b>91</b>	<b>68</b>	<b>92</b>	<b>95</b>	<b>99</b>	<b>100</b>	<b>82</b>	<b>95</b>	-	485
				AG 080232	DNS	-0.36	12.0	0.05	1.2	-25.0	16.1	72	-43	9.3	-13	7	6.35	7
					21.03.13	33												
156	DE VILLIERS AG & SEUN	AG 130537	SP	AG 070494	NS540	<b>88</b>	<b>106</b>	<b>132</b>	<b>80</b>	<b>109</b>	<b>97</b>	<b>93</b>	<b>100</b>	<b>95</b>	<b>88</b>	<b>90</b>	-	471
				AG 050523	DNS	2.30	16.0	-1.68	-1.6	20.0	19.9	65	-46	5.3	-8	0	-	6.5
					26.09.13	38												



### Lot 151

<p><b>AG 110239</b> SPN Mat. 111 OEK 37 TKP 364 RI 107 Oud/Kalw. 8/6 Gem. SI/Kalf 98/6</p>		<p><b>MBT 070136</b> SPN Mat. 114 Silver</p>	<p><b>CEG 050021</b> SPN Mat. 123 Silver</p> <p><b>CEG 040233</b> OEK 27 SPN Mat. 96 TKP 369 Oud/Kalw. 5/4 Gem. SI/Kalf 96/4</p> <p><b>AG 020251</b> SPN Mat. 120 Goud</p> <p><b>AG 020232</b> OEK 24 SPN Mat. 72 TKP 409 Oud/Kalw. 13/11 Gem. SI/Kalf 92/10</p>		<p><b>AG 960233</b> SPN Mat. 105</p> <p><b>CEG 930080</b> SPN Mat. 119</p> <p><b>LA 980044</b> SPN Mat. 89</p> <p><b>CEG 990251</b> SPN Mat. 105</p> <p><b>AG 980338</b> SPN Mat. 87</p> <p><b>AG 950206</b> SPN Mat. 127</p> <p><b>AG 960097</b> SPN Mat. 69</p> <p><b>AG 970277</b> SPN Mat. 111</p>
--	---	--	--	---	--



### Lot 152

<p><b>AG 110305</b> SPN Mat. 115 OEK 38 TKP 455 RI 92 Oud/Kalw. 8/5 Gem. SI/Kalf 105/5</p>		<p><b>PAD 070064</b> SPN Mat. 120</p>	<p><b>EI 040038</b> SPN Mat. 93</p> <p><b>CSW 030015</b> OEK 34 SPN Mat. 107 TKP 526 Oud/Kalw. 14/9 Gem. SI/Kalf 102/8</p> <p><b>FAN 000010</b> SPN Mat. 104</p> <p><b>AG 010158</b> OEK 25 SPN Mat. 77 TKP Oud/Kalw. 2/1 Gem. SI/Kalf 112/1</p>		<p><b>EI 980080</b> SPN Mat. 88</p> <p><b>EI 990057</b> SPN Mat. 101</p> <p><b>BG 960125</b> SPN Mat. 100</p> <p><b>CSW 990091</b> SPN Mat. 109</p> <p><b>AMF 970431</b> SPN Mat. 95</p> <p><b>FAN 970043</b> SPN Mat. 92</p> <p><b>RCO 980037</b> SPN Mat. 67</p> <p><b>AG 980181</b> SPN Mat. 73</p>
--	---	---	--	---	--



### Lot 153

<p><b>AG 130737</b> SPN Mat. 71 OEK 22 TKP 369 RI 121 Oud/Kalw. 6/5 Gem. SI/Kalf 94/5</p>		<p><b>AG 110192</b> SPN Mat. 103</p>	<p><b>VV 070012</b> SPN Mat. 112 Goud</p> <p><b>AG 030031</b> OEK 30 SPN Mat. 94 TKP 475 Oud/Kalw. 12/8 Gem. SI/Kalf 99/8</p> <p><b>AG 060027</b> SPN Mat. 92</p> <p><b>AG 050185</b> OEK 25 SPN Mat. 88 TKP 432 Oud/Kalw. 13/10 Gem. SI/Kalf 102/9</p>		<p><b>VV 040046</b> SPN Mat. 113</p> <p><b>VV 040214</b> SPN Mat. 115</p> <p><b>AG 990142</b> SPN Mat. 94</p> <p><b>AG 980093</b> SPN Mat. 92</p> <p><b>LAR 010176</b> SPN Mat. 84</p> <p><b>AG 020147</b> SPN Mat. 123</p> <p><b>AG 980012</b> SPN Mat. 69</p> <p><b>AG 970124</b> SPN Mat. 94</p>
---	---	--	---	---	---



### Lot 154

<p><b>AG 130716</b> SPN Mat. 103 OEK 33 TKP 385 RI 106 Oud/Kalw. 6/4 Gem. SI/Kalf 105/4</p>		<p><b>AG 110204</b> SPN Mat. 90</p>	<p><b>AG 070138</b> SPN Mat. 106</p> <p><b>AG 060182</b> OEK 26 SPN Mat. 70 TKP 365 Oud/Kalw. 7/6 Gem. SI/Kalf 90/6</p> <p><b>LAR 030312</b> SPN Mat. 104</p> <p><b>AG 040150</b> OEK 25 SPN Mat. 110 TKP 493 Oud/Kalw. 6/4 Gem. SI/Kalf 106/4</p>		<p><b>AG 010258</b> SPN Mat. 94</p> <p><b>AG 980250</b> SPN Mat. 127</p> <p><b>RCO 000281</b> SPN Mat. 49</p> <p><b>LA 950164</b> SPN Mat. 107</p> <p><b>LAR 010297</b> SPN Mat. 71</p> <p><b>LAR 990317</b> SPN Mat. 87</p> <p><b>AG 010289</b> SPN Mat. 113</p> <p><b>AG 020199</b> SPN Mat. 96</p>
---	---	---	--	---	---

### Lot 155

<p><b>AG 130101</b> SPN Mat. 91 OEK 32 TKP 363 RI 111 Oud/Kalw. 6/4 Gem. SI/Kalf 95/4</p>		<p><b>AG 100163</b> SPN Mat. 91</p>	<p><b>AG 060027</b> SPN Mat. 92</p> <p><b>AG 070467</b> OEK 34 SPN Mat. 107 TKP 370 Oud/Kalw. 10/8 Gem. SI/Kalf 104/8</p> <p><b>AG 020251</b> SPN Mat. 120 Goud</p> <p><b>AG 960249</b> OEK 24 SPN Mat. 91 TKP 399 Oud/Kalw. 14/12 Gem. SI/Kalf 99/10</p>		<p><b>LAR 010176</b> SPN Mat. 84</p> <p><b>AG 020147</b> SPN Mat. 123</p> <p><b>LAR 030312</b> SPN Mat. 104</p> <p><b>AG 040150</b> SPN Mat. 110</p> <p><b>AG 980338</b> SPN Mat. 87</p> <p><b>AG 950206</b> SPN Mat. 127</p> <p><b>AG D 0103</b> SPN Mat. 91</p> <p><b>AG J 0079</b> SPN Mat. 103</p>
---	---	---	---	---	--

### Lot 156

<p><b>AG 130537</b> SPN Mat. 80 OEK 25 TKP 371 RI 118 Oud/Kalw. 5/4 Gem. SI/Kalf 94/4</p>		<p><b>AG 070494</b> SPN Mat. 87</p>	<p><b>WAT 030085</b> SPN Mat. 101</p> <p><b>AG 020002</b> OEK 32 SPN Mat. 62 TKP 368 Oud/Kalw. 7/5 Gem. SI/Kalf 82/6</p> <p><b>AG 020061</b> SPN Mat. 59</p> <p><b>AG 930541</b> OEK * SPN Mat. 123 TKP 358 Oud/Kalw. */6 Gem. SI/Kalf 103/6</p>		<p><b>WAT 000200</b> SPN Mat. 113</p> <p><b>WAT 980109</b> SPN Mat. 114</p> <p><b>EI 940339</b> SPN Mat. 117</p> <p><b>AG 990006</b> SPN Mat. 80</p> <p><b>AG 980310</b> SPN Mat. 74</p> <p><b>AG 980123</b> SPN Mat. 106</p> <p>SPN Mat.</p> <p>SPN Mat.</p>
---	---	---	--	---	---

## FEMALE ANIMALS

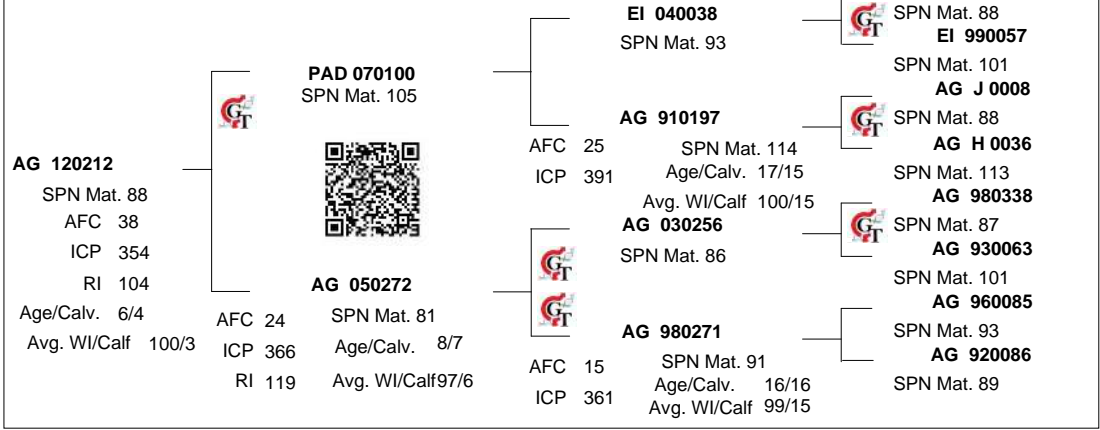
Lot	Seller	ID	PARENTS	Test	DIRECT CALF TRAITS		DAUGHTER TRAITS			GROWTH		EFF.	REP	MEASURE-MENTS			R:	Days Open	Breeder Own Remarks										
					Progeny Birth Weight	Progeny Wean Weight	Ease of Calving	Milk prod.	Mature Weight	Post Wean Weight	Daily Gain			Feed Conv	Height & Length														
Gen	POLLED	SIRE GV PV	DAM GV PV	Genomic Tested DNA	Birth Dir Acc	Wean Dir		Birth Mat Acc	Wean Mat Acc	Mat Wgt Acc	Post Wean Acc	ADG Acc	FCR Acc	SC Acc	Hgt Acc	Lgt Acc	LHR	Age											
						Wgt kg	Ind										kg			kg	kg	365d Ind	540d Ind	Ind	Ind	(mm)	(mm)	(mm)	WWR
																			Wgt kg										Ind

## Pregnant Cows

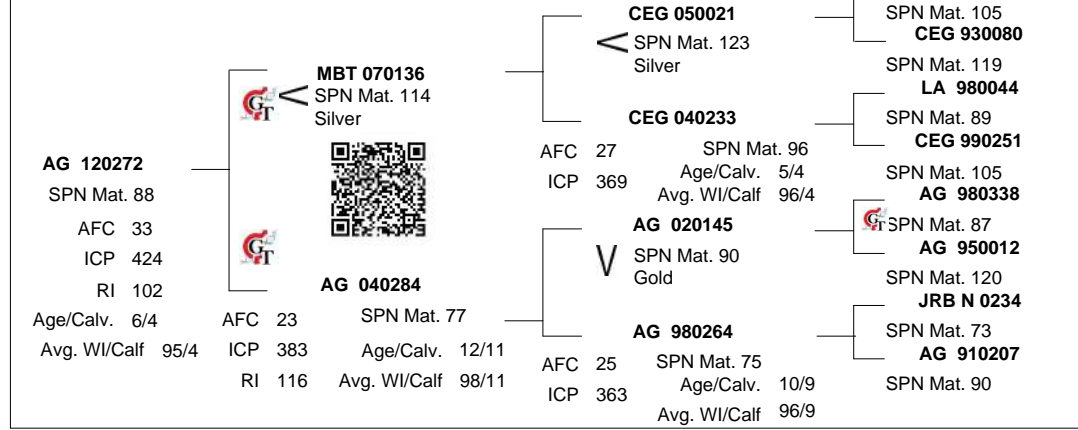
157	DE VILLIERS AG & SEUN	AG 120212	PAD 070100	PW540	<b>114</b>	<b>100</b>	<b>112</b>	<b>88</b>	<b>89</b>	<b>95</b>	<b>99</b>	<b>100</b>	<b>101</b>	<b>88</b>	<b>96</b>	-	513	
			<input checked="" type="checkbox"/>		-0.48	13.3	-0.74	0.5	-2.0	17.9	89	-46	10.1	-8	8	7.41	7.5	
			AG 050272	DNA	81	77	72	76	56	69	49	30	52	53	52	41.2	4	
		SP	<input checked="" type="checkbox"/>	25.09.12	30												4	
158	DE VILLIERS AG & SEUN	AG 120272	MBT 070136	PW540	<b>102</b>	<b>94</b>	<b>99</b>	<b>88</b>	<b>94</b>	<b>96</b>	<b>82</b>	<b>94</b>	<b>94</b>	<b>72</b>	<b>79</b>	-	450	
			<input checked="" type="checkbox"/>		0.82	10.5	-0.16	0.5	3.0	18.5	12	-33	4.7	-21	-15	7.58	7.4	
			AG 040284	DNA	82	79	74	79	57	68	51	42	54	54	53	37	4	
		SP	<input checked="" type="checkbox"/>	05.10.12	36												4	

1.03	13.3	-0.20	3.8	10	21.7	96	-46	9.6	2	14
------	------	-------	-----	----	------	----	-----	-----	---	----

**Lot 157**



**Lot 158**





## VROULIKE DIERE

Lot	Verkoper	ID	OUERS	Toets	Teelwaarde indekse											LHV	GGV	SGV	Gebruiker Eie Opmerkings
					VADER GV OV	Genomies Getoets	Geb Dir	Speen Dir	Geb Mat	Speen Mat	Volwas- Gew	Naspeen	GDT	VOV	SO				
		POENA	MOEDER GV OV	DNS	Akk	Akk	Akk	Akk	Akk	Akk	Akk	Akk	Akk	Akk	Akk	Akk	Akk	Akk	
		Gen		Geb. dat.	Gew kg	Gew kg	Ind	kg	kg	kg	365d Ind	540d Ind	Ind	Ind	(mm)	(mm)	(mm)		


### Dragtige Verse

159	DE VILLIERS AG & SEUN	AG 170736	AG 140168	NS540	<b>89</b>	<b>107</b>	<b>100</b>	<b>88</b>	<b>85</b>	<b>103</b>	<b>94</b>	<b>100</b>	<b>99</b>	<b>85</b>	<b>91</b>	-		
			<input checked="" type="checkbox"/>			2.24	16.5	-0.19	0.5	-7.0	23.6	70	-46	8.4	-10	2	-	
			AG 120510	DNS	76	71	46	49	34	64	32	16	34	35	34	-		
		SP	<input checked="" type="checkbox"/>	20.10.17	36	216	<b>96</b>			101	97					45.7		
160	DE VILLIERS AG & SEUN	AG 170862	AG 130334	NS540	<b>88</b>	<b>116</b>	<b>118</b>	<b>84</b>	<b>106</b>	<b>110</b>	<b>112</b>	<b>104</b>	<b>101</b>	<b>97</b>	<b>106</b>	-		
			<input checked="" type="checkbox"/>			2.35	20.7	-1.00	-0.5	16.0	28.9	152	-55	10.4	-1	22	-	
			AG 130013	DNS	77	72	50	51	40	68	36	22	39	39	38	-		
		SP	<input checked="" type="checkbox"/>	03.11.17	36	231	<b>104</b>			101	107					43.9		
161	DE VILLIERS AG & SEUN	AG 170971	AG 130334	NS540	<b>90</b>	<b>118</b>	<b>117</b>	<b>95</b>	<b>117</b>	<b>114</b>	<b>117</b>	<b>108</b>	<b>110</b>	<b>103</b>	<b>112</b>	-		
			<input checked="" type="checkbox"/>			2.09	21.5	-0.99	2.4	28.0	31.1	176	-62	17.4	4	31	-	
			MGH 140115	DNS	78	74	49	50	37	67	35	23	38	38	37	-		
		SP	<input checked="" type="checkbox"/>	21.11.17	34	236	<b>114</b>			107	106					-		
162	DE VILLIERS AG & SEUN	AG 170449	GZV 120062	NS540	<b>102</b>	<b>92</b>	<b>99</b>	<b>104</b>	<b>82</b>	<b>94</b>	<b>91</b>	<b>89</b>	<b>93</b>	<b>87</b>	<b>95</b>	-		
			<input checked="" type="checkbox"/>			0.77	9.5	-0.17	5.1	-10.0	17.5	54	-23	4.3	-9	7	-	
			AG 040102	DNS	78	75	55	56	44	68	46	27	50	51	49	-		
		SP	<input checked="" type="checkbox"/>	14.10.17	34	263	<b>91</b>			94	98					-		
163	DE VILLIERS AG & SEUN	AG 170363	SYF 120100	NS540	<b>81</b>	<b>111</b>	<b>95</b>	<b>95</b>	<b>109</b>	<b>109</b>	<b>99</b>	<b>98</b>	<b>94</b>	<b>90</b>	<b>99</b>	-		
			<input checked="" type="checkbox"/>			3.06	18.4	0.03	2.5	20.0	28.3	93	-41	4.5	-6	13	-	
			AG 060440	DNS	79	73	55	56	40	68	46	24	50	50	49	-		
		SP	<input checked="" type="checkbox"/>	05.10.17	38	243	<b>106</b>			104	107					-		
164	DE VILLIERS AG & SEUN	RHJ 170016	AG 080409	NS540	<b>97</b>	<b>104</b>	<b>107</b>	<b>87</b>	<b>92</b>	<b>103</b>	<b>93</b>	<b>99</b>	<b>101</b>	<b>88</b>	<b>94</b>	-		
			<input checked="" type="checkbox"/>			1.38	15.0	-0.50	0.2	1.0	23.8	64	-44	10.5	-8	6	8	
			AG 110376	DNS	78	75	59	60	45	70	50	28	53	53	52	-		
		SP	<input checked="" type="checkbox"/>	18.08.17	34	236	<b>108</b>			111	114					50.3		

**Lot 159**

**AG 170736**  
SPN Mat. 88


**AG 140168**  
SPN Mat. 99



**AG 120510**  
SPN Mat. 76  
Oud/Kalw. 7/5  
Gem. SI/Kalf 96/4

OEK 36  
TKP 376  
RI 106

**AG 080210**  
SPN Mat. 105



**AG 090371**  
SPN Mat. 92  
Oud/Kalw. 4/3  
Gem. SI/Kalf 109/3

OEK 24  
TKP 432

**AG 090411**  
SPN Mat. 84

**AG 090643**  
SPN Mat. 70  
Oud/Kalw. 9/7  
Gem. SI/Kalf 96/7


OEK 36  
TKP 393

**HJS 030016**  
SPN Mat. 97  
**BZ 020158**  
SPN Mat. 130  
**AG 050085**  
SPN Mat. 82  
**AG 050217**  
SPN Mat. 98  
**AG 060431**  
SPN Mat. 79  
**AG 970024**  
SPN Mat. 98  
**AG 060013**  
SPN Mat. 89  
**AG 960569**  
SPN Mat. 79

**Lot 160**

**AG 170862**  
SPN Mat. 84


**AG 130334**  
SPN Mat. 87



**AG 130013**  
SPN Mat. 81  
Oud/Kalw. 7/5  
Gem. SI/Kalf 94/4

OEK 33  
TKP 356  
RI 111

**AG 110231**  
SPN Mat. 81



**AG 110065**  
SPN Mat. 103  
Oud/Kalw. 9/7  
Gem. SI/Kalf 106/6

OEK 30  
TKP 369

**AG 080056**  
SPN Mat. 98

**AG 060222**  
SPN Mat. 101  
Oud/Kalw. 13/10  
Gem. SI/Kalf 100/10


OEK 24  
TKP 429

**AG 070745**  
SPN Mat. 96  
**AG 070467**  
SPN Mat. 107  
**AG 060027**  
SPN Mat. 92  
**AG 990135**  
SPN Mat. 118  
**AG 030256**  
SPN Mat. 86  
**HTC 020007**  
SPN Mat. 111  
**KHB 010175**  
SPN Mat. 92  
**MBZ 960203**  
SPN Mat. 109

**Lot 161**

**AG 170971**  
SPN Mat. 95


**AG 130334**  
SPN Mat. 87



**MGH 140115**  
SPN Mat. 107  
Oud/Kalw. 5/4  
Gem. SI/Kalf 105/3

OEK 25  
TKP 355  
RI 121

**AG 110231**  
SPN Mat. 81



**AG 110065**  
SPN Mat. 103  
Oud/Kalw. 9/7  
Gem. SI/Kalf 106/6

OEK 30  
TKP 369

**AG 080455**  
SPN Mat. 91

**MGH 080027**  
SPN Mat. 115  
Oud/Kalw. 7/5  
Gem. SI/Kalf 108/5


OEK 35  
TKP 411

**AG 070745**  
SPN Mat. 96  
**AG 070467**  
SPN Mat. 107  
**AG 060027**  
SPN Mat. 92  
**AG 990135**  
SPN Mat. 118  
**LAR 030398**  
SPN Mat. 71  
**AG 020180**  
SPN Mat. 97  
**CEG 030140**  
SPN Mat. 119  
**AG 010185**  
SPN Mat. 101

**Lot 162**

**AG 170449**  
SPN Mat. 104


**GZV 120062**  
SPN Mat. 121



**AG 040102**  
SPN Mat. 85  
Oud/Kalw. 13/12  
Gem. SI/Kalf 99/13

OEK 25  
TKP 367  
RI 117

**AG 090483**  
SPN Mat. 106



**AG 080251**  
SPN Mat. 131  
Oud/Kalw. 9/6  
Gem. SI/Kalf 103/6

OEK 26  
TKP 510

**RAI 990034**  
SPN Mat. 89

**AG 950033**  
SPN Mat. 82  
Oud/Kalw. 17/13  
Gem. SI/Kalf 96/12


OEK 29  
TKP 429

**FCT 060109**  
SPN Mat. 119  
**AG 060123**  
SPN Mat. 99  
**AG 020251**  
SPN Mat. 120  
**AG 980250**  
SPN Mat. 127  
**VV 950353**  
SPN Mat. 107  
**RAI 950048**  
SPN Mat. 93  
**AG 920214**  
SPN Mat. 108  
**AG 900163**  
SPN Mat. 93

**Lot 163**

**AG 170363**  
SPN Mat. 95

**SYF 120100**  
SPN Mat. 96



**AG 060440**  
SPN Mat. 94  
Oud/Kalw. 13/10  
Gem. SI/Kalf 102/7

OEK 27  
TKP 439  
RI 103

**ADV 070154**  
SPN Mat. 109

**SYF 070176**  
SPN Mat. 86  
Oud/Kalw. 10/9  
Gem. SI/Kalf 97/9

OEK 29  
TKP 364

**AG 040310**  
SPN Mat. 119

**AG 010315**  
SPN Mat. 64  
Oud/Kalw. 11/9  
Gem. SI/Kalf 94/9


OEK 35  
TKP 378

**LAR 030398**  
SPN Mat. 71  
**ADV 030008**  
SPN Mat. 126  
**LAR 030398**  
SPN Mat. 71  
**SYF 040011**  
SPN Mat. 105  
**AG 020251**  
SPN Mat. 120  
**AG 930063**  
SPN Mat. 101  
**RCO 980035**  
SPN Mat. 66  
**AG 970248**  
SPN Mat. 83

**Lot 164**

**RHJ 170016**  
SPN Mat. 87

**AG 080409**  
SPN Mat. 68



**AG 110376**  
SPN Mat. 111  
Oud/Kalw. 8/6  
Gem. SI/Kalf 104/5

OEK 24  
TKP 442  
RI 108

**LAR 030398**  
SPN Mat. 71

**AG 020165**  
SPN Mat. 111  
Oud/Kalw. 15/12  
Gem. SI/Kalf 101/12

OEK 30  
TKP 422

**PAD 070064**  
SPN Mat. 120

**AG 060173**  
SPN Mat. 84  
Oud/Kalw. 12/11  
Gem. SI/Kalf 97/11

OEK 23  
TKP 382

**LAR 010297**  
SPN Mat. 71  
**LAR 990031**  
SPN Mat. 86  
**AG 960059**  
SPN Mat. 110  
**AG 930026**  
SPN Mat. 97  
**EI 040038**  
SPN Mat. 93  
**CSW 030015**  
SPN Mat. 107  
**AG 040401**  
SPN Mat. 84  
**AG 040112**  
SPN Mat. 74


## FEMALE ANIMALS

Lot	Seller	ID	PARENTS	Test	Breeding Value Indexes											Days Open	Breeder Own Remarks							
					SIRE		Genomic Tested	Birth Dir		Wean Dir		Birth Mat	Wean Mat	Mat Wgt	Post Wean			ADG	FCR	SC	Hgt	Lgt	LHR	
					GV	PV		Acc	Acc	Acc	Acc	Acc	365d Ind	540d Ind	Ind			Ind	(mm)	(mm)	(mm)	BWR		
Gen	DAM	PV	Birth Date	Wgt kg	Wgt kg	Ind	kg	kg	kg									Age						
																			Calves					


### Pregnant Cows

165	DE VILLIERS AG & SEUN	AG 100034	AJF 040075	PW540	<b>96</b>	<b>96</b>	<b>102</b>	<b>88</b>	<b>103</b>	<b>92</b>	<b>89</b>	<b>95</b>	<b>94</b>	<b>100</b>	<b>98</b>	-	142	
				DNA	1.45	11.5	-0.29	0.4	13.0	16.0	47	-35	4.7	2	11	5.55	10	
			AG 010176	24.02.10	85	81	80	83	60	76	56	30	58	59	58	34.3	8	
166	DE VILLIERS AG & SEUN	AG 100421	CEF 050503	PW365	<b>110</b>	<b>91</b>	<b>115</b>	<b>82</b>	<b>81</b>	<b>90</b>	<b>98</b>	<b>92</b>	<b>102</b>	<b>97</b>	<b>98</b>	-	140	
				DNA	-0.07	9.3	-0.89	-1.3	-11.0	14.9	88	-29	11.1	0	11	7.36	9.4	
			AG 030241	31.10.10	85	81	80	83	60	70	53	28	57	58	56	-	7	
167	DE VILLIERS AG & SEUN	AG 110245	PAD 070093	PW365	<b>111</b>	<b>92</b>	<b>95</b>	<b>99</b>	<b>64</b>	<b>87</b>	<b>89</b>	<b>98</b>	<b>94</b>	<b>88</b>	<b>92</b>	-	495	
				DNA	-0.17	9.5	0.01	3.5	-29.0	12.7	46	-41	4.8	-8	3	6.5	8.4	
			AG 090052	06.10.11	83	79	77	78	54	70	46	22	49	50	49	-	5	
168	DE VILLIERS AG & SEUN	AG 110030	AG 060027	PW540	<b>106</b>	<b>109</b>	<b>101</b>	<b>110</b>	<b>103</b>	<b>113</b>	<b>113</b>	<b>106</b>	<b>109</b>	<b>87</b>	<b>110</b>	-	499	
				DNA	0.40	17.5	-0.23	6.7	13.0	30.8	158	-59	16.9	-9	28	5.32	9.1	
			AG 020200	21.02.11	86	83	79	82	61	78	65	31	68	68	67	-	6	
169	DE VILLIERS AG & SEUN	AG 160932	AG 130095	PW540	<b>63</b>	<b>129</b>	<b>111</b>	<b>104</b>	<b>109</b>	<b>114</b>	<b>114</b>	<b>107</b>	<b>111</b>	<b>101</b>	<b>113</b>	-	257	
				DNA	5.00	26.2	-0.72	4.8	19.0	31.4	160	-62	18.7	2	32	-	3.3	
			BG 000058	10.12.16	78	74	61	64	49	68	48	37	50	50	49	-	1	
170	DE VILLIERS AG & SEUN	AG 160019	AG 090751	PW365	<b>105</b>	<b>96</b>	<b>93</b>	<b>117</b>	<b>110</b>	<b>96</b>	<b>97</b>	<b>93</b>	<b>101</b>	<b>104</b>	<b>105</b>	-	120	
				DNA	0.49	11.5	0.10	8.6	20.0	18.9	82	-31	10.6	5	21	5.65	4.2	
			HDE 010106	14.01.16	81	76	70	64	47	66	54	35	57	58	57	-	2	


**Lot 165**

<p><b>AG 100034</b>                  SPN Mat. 88                  AFC 30                  ICP 372                  RI 113                  Age/Calv. 10/8                  Avg. WI/Calf 97/7</p>	 <p><b>AG 040075</b>                  SPN Mat. 119</p>	<p><b>KTB 960047</b>                  SPN Mat. 116</p> <p><b>AJF 990292</b>                  AFC 36 SPN Mat. 116                  ICP 473 Age/Calv. 6/3                  Avg. WI/Calf 109/3</p> <p><b>AG 980338</b>                  SPN Mat. 87</p> <p><b>AG 950013</b>                  AFC 37 SPN Mat. 101                  ICP 383 Age/Calv. 12/10                  Avg. WI/Calf 101/9</p>	<p><b>KTB 920139</b>                  SPN Mat. 95  <b>GTH K 0046</b>                  SPN Mat. 132  <b>AJF 960288</b>                  SPN Mat. 111  <b>AJF 950272</b>                  SPN Mat. 110  <b>AG 930210</b>                  SPN Mat. 104  <b>AG 920184</b>                  SPN Mat. 102  <b>GB N 0004</b>                  SPN Mat. 114  <b>AG E 0230</b>                  SPN Mat. 87</p>
--	--	--	---


**Lot 166**

<p><b>AG 100421</b>                  SPN Mat. 82                  AFC 35                  ICP 372                  RI 109                  Age/Calv. 9/7                  Avg. WI/Calf 95/7</p>	 <p><b>CEF 050503</b>                  SPN Mat. 90</p>	<p><b>CEF 030453</b>                  SPN Mat. 104</p> <p><b>CEF 030001</b>                  AFC 31 SPN Mat. 96                  ICP Age/Calv. 3/1                  Avg. WI/Calf 97/1</p> <p><b>AG 990104</b>                  SPN Mat. 63</p> <p><b>AG 030241</b>                  AFC 24 SPN Mat. 83                  ICP 411 Age/Calv. 13/11                  RI 109 Avg. WI/Calf 98/10</p>	<p><b>V 970132</b>                  SPN Mat. 110  <b>CEF 960048</b>                  SPN Mat. 112  <b>CEF 980292</b>                  SPN Mat. 87  <b>CEF 000109</b>                  SPN Mat. 106  <b>AG 950023</b>                  SPN Mat. 97  <b>AG 970036</b>                  SPN Mat. 77  <b>AG 960059</b>                  SPN Mat. 110  <b>AG 920229</b>                  SPN Mat. 104</p>
---	--	--	--


**Lot 167**

<p><b>AG 110245</b>                  SPN Mat. 99                  AFC 25                  ICP 459                  RI 106                  Age/Calv. 7/5                  Avg. WI/Calf 100/4</p>	 <p><b>PAD 070093</b>                  SPN Mat. 102</p>	<p><b>CSW 990118</b>                  SPN Mat. 80  <b>CSW 010103</b>                  SPN Mat. 102  <b>RAI 990034</b>                  SPN Mat. 89  <b>AG 960148</b>                  SPN Mat. 126  <b>AG 000264</b>                  SPN Mat. 77  <b>AG 000212</b>                  SPN Mat. 66  <b>AG 980338</b>                  SPN Mat. 87  <b>AG 980112</b>                  SPN Mat. 117</p>
--	---	---


**Lot 168**

<p>Elite-Silver  <b>AG 110030</b>                  SPN Mat. 110                  AFC 34                  ICP 356                  RI 112                  Age/Calv. 8/6                  Avg. WI/Calf 105/6</p>	 <p><b>AG 060027</b>                  SPN Mat. 92</p>	<p><b>LAR 010176</b>                  SPN Mat. 84</p> <p><b>AG 020147</b>                  AFC 25 SPN Mat. 123                  ICP 404 Age/Calv. 13/11                  Avg. WI/Calf 110/11</p> <p><b>AG 980200</b>                  SPN Mat. 100</p> <p><b>AG 980061</b>                  AFC 29 SPN Mat. 116                  ICP 381 Age/Calv. 15/13                  Avg. WI/Calf 103/11</p>	<p><b>AG 970048</b>                  SPN Mat. 91  <b>LAR 980262</b>                  SPN Mat. 93  <b>AG 980200</b>                  SPN Mat. 100  <b>AG 990256</b>                  SPN Mat. 137  <b>AG 950059</b>                  SPN Mat. 102  <b>AG 950008</b>                  SPN Mat. 95  <b>RCO 930012</b>                  SPN Mat. 94  <b>AG 920076</b>                  SPN Mat. 113</p>
---	---	---	---

**Lot 169**

<p><b>AG 160932</b>                  SPN Mat. 104                  AFC 31                  ICP                  RI 107                  Age/Calv. 3/1                  Avg. WI/Calf 107/1</p>	 <p><b>AG 130095</b>                  SPN Mat. 90</p>	<p><b>CEF 990259</b>                  SPN Mat. 84  <b>CEF 000050</b>                  SPN Mat. 110  <b>FCT 030110</b>                  SPN Mat. 84  <b>AG 040176</b>                  SPN Mat. 92  <b>EI L 0077</b>                  SPN Mat. 83  <b>EI K 0129</b>                  SPN Mat. 109  <b>EI 900235</b>                  SPN Mat. 122  <b>LEL H 0102</b>                  SPN Mat. 107</p>
---	---	---

**Lot 170**

<p><b>AG 160019</b>                  SPN Mat. 117                  AFC 34                  ICP 379                  RI 103                  Age/Calv. 4/2                  Avg. WI/Calf 93/1</p>	 <p><b>AG 090751</b>                  SPN Mat. 108</p>	<p><b>CEF 040431</b>                  SPN Mat. 90</p> <p><b>AG 980250</b>                  AFC 35 SPN Mat. 127                  ICP 443 Age/Calv. 15/11                  Avg. WI/Calf 106/10</p> <p><b>HDE 970075</b>                  SPN Mat. 112</p> <p><b>HDE 980209</b>                  AFC 35 SPN Mat. 114                  ICP 593 Age/Calv. 5/2                  Avg. WI/Calf 105/2</p>	<p><b>CEF 020328</b>                  SPN Mat. 90  <b>CEF 950055</b>                  SPN Mat. 85  <b>AG 950059</b>                  SPN Mat. 102  <b>AG 940258</b>                  SPN Mat. 110  <b>AG N 0204</b>                  SPN Mat. 110  <b>HDE 930099</b>                  SPN Mat. 105  <b>V 920069</b>                  SPN Mat. 97  <b>HDE 930176</b>                  SPN Mat. 112</p>
--	--	--	---

**VROULIKE DIERE**


Lot	Verkoper	ID	POENA	Gen	OUERS		Toets	Teelwaarde indekse										Dae Oop	Gebruiker Eie Opmerkings		
					VADER GV OV	MOEDER GV OV		Genomies Getoets	Geb Dir	Speen Dir	Geb Mat	Speen Mat	Volw Gew	Naspeen	GDT	VOV	SO			Hgt	Lgt

**Dragtige Koeie**


171	DE VILLIERS AG & SEUN	AG 160751 SP	AG 090751 <input checked="" type="checkbox"/>	NS540	<b>102</b>	<b>110</b>	<b>110</b>	<b>96</b>	<b>99</b>	<b>105</b>	<b>97</b>	<b>98</b>	<b>101</b>	<b>94</b>	<b>102</b>	-	470
			<input checked="" type="checkbox"/>	DNS	0.85	17.8	-0.67	2.8	8.0	25.3	81	-41	10.0	-3	16	6.15	3.3
			AG 070062 <input checked="" type="checkbox"/>	08.11.16	32												
172	DE VILLIERS AG & SEUN	AG 160327 P SP	AG 110192 <input checked="" type="checkbox"/>	NS540	<b>105</b>	<b>97</b>	<b>142</b>	<b>121</b>	<b>81</b>	<b>94</b>	<b>103</b>	<b>100</b>	<b>120</b>	<b>107</b>	<b>106</b>	-	255
			<input checked="" type="checkbox"/>	DNS	0.48	12.0	-2.10	9.6	-11.0	17.6	110	-46	25.4	7	22	6.67	3.4
			MCU 020088 PP(c) <input checked="" type="checkbox"/>	10.10.16	34												
173	DE VILLIERS AG & SEUN	AG 160064 SP	AG 100080 <input checked="" type="checkbox"/>	NS365	<b>101</b>	<b>104</b>	<b>99</b>	<b>111</b>	<b>98</b>	<b>106</b>	<b>97</b>	<b>100</b>	<b>108</b>	<b>95</b>	<b>99</b>	-	140
			<input checked="" type="checkbox"/>	DNS	0.93	15.0	-0.13	6.9	8.0	26.1	80	-45	15.6	-3	12	6.11	4.1
			AG 110305 <input checked="" type="checkbox"/>	21.02.16	33												
174	DE VILLIERS AG & SEUN	AG 160189 SP	AG 110192 <input checked="" type="checkbox"/>	NS540	<b>93</b>	<b>104</b>	<b>142</b>	<b>90</b>	<b>87</b>	<b>102</b>	<b>98</b>	<b>100</b>	<b>105</b>	<b>91</b>	<b>95</b>	-	117
			<input checked="" type="checkbox"/>	DNS	1.75	15.2	-2.14	0.9	-4.0	23.3	89	-46	13.6	-6	7	7.26	3.5
			AG 080070 <input checked="" type="checkbox"/>	07.09.16	34												
175	DE VILLIERS AG & SEUN	AG 170034 SP	ADV 070154 <input checked="" type="checkbox"/>	NS540	<b>92</b>	<b>110</b>	<b>100</b>	<b>98</b>	<b>98</b>	<b>108</b>	<b>105</b>	<b>103</b>	<b>98</b>	<b>92</b>	<b>102</b>	-	262
			<input checked="" type="checkbox"/>	DNS	1.91	17.8	-0.18	3.2	7.0	27.4	120	-53	8.1	-5	17	6.8	3.1
			AG 100260 <input checked="" type="checkbox"/>	30.01.17	34												
176	DE VILLIERS AG & SEUN	AG 170099 SP	AG 080409 <input checked="" type="checkbox"/>	NS540	<b>96</b>	<b>105</b>	<b>89</b>	<b>91</b>	<b>105</b>	<b>106</b>	<b>97</b>	<b>100</b>	<b>106</b>	<b>90</b>	<b>98</b>	-	261
			<input checked="" type="checkbox"/>	DNS	1.42	15.5	0.31	1.2	15.0	26.1	81	-46	14.0	-7	11	-	3
			AG 110332 <input checked="" type="checkbox"/>	29.03.17	34												




**Lot 171**

<p><b>AG 160751</b> SPN Mat. 96 OEK 25 TKP RI 125 Oud/Kalw. 2/1 Gem. Sl/Kalf 116/1</p>	<p><b>AG 090751</b> SPN Mat. 108</p> 	<p><b>AG 070062</b> SPN Mat. 90 Oud/Kalw. 13/11 Gem. Sl/Kalf 104/10</p>	<p><b>CEF 040431</b> SPN Mat. 90</p> <p><b>AG 980250</b> SPN Mat. 127 Oud/Kalw. 15/11 Gem. Sl/Kalf 106/10</p> <p><b>LAR 010176</b> SPN Mat. 84</p> <p><b>AG 960075</b> SPN Mat. 101 Oud/Kalw. 16/13 Gem. Sl/Kalf 103/12</p>	<p><b>CEF 020328</b> SPN Mat. 90</p> <p><b>CEF 950055</b> SPN Mat. 85</p> <p><b>AG 950059</b> SPN Mat. 102</p> <p><b>AG 940258</b> SPN Mat. 110</p> <p><b>AG 970048</b> SPN Mat. 91</p> <p><b>LAR 980262</b> SPN Mat. 93</p> <p><b>GB N 0004</b> SPN Mat. 114</p> <p><b>AG 910213</b> SPN Mat. 109</p>
--	--	---	---	--


**Lot 172**

<p><b>AG 160327 P</b> SPN Mat. 121 OEK 33 TKP RI 101 Oud/Kalw. 3/1 Gem. Sl/Kalf 101/1</p>	<p><b>AG 110192</b> SPN Mat. 103</p> 	<p><b>MCU 020088 PP(c)</b> SPN Mat. 137 Oud/Kalw. 14/11 Gem. Sl/Kalf 107/11</p>	<p><b>VV 070012</b> SPN Mat. 112 Goud</p> <p><b>AG 030031</b> SPN Mat. 94 Oud/Kalw. 12/8 Gem. Sl/Kalf 99/8</p> <p><b>JPL 980088 P</b> SPN Mat. 124</p> <p><b>MCU 980044 P</b> SPN Mat. 122 Oud/Kalw. 11/8 Gem. Sl/Kalf 101/8</p>	<p><b>VV 040046</b> SPN Mat. 113</p> <p><b>VV 040214</b> SPN Mat. 115</p> <p><b>AG 990142</b> SPN Mat. 94</p> <p><b>AG 980093</b> SPN Mat. 92</p> <p><b>NFS 940234</b> SPN Mat. 131</p> <p><b>JPL 900049 P</b> SPN Mat. 89</p> <p><b>TKW 930268 P</b> SPN Mat. 116</p> <p><b>MCU K 0034</b> SPN Mat. 111</p>
---	--	---	--	--


**Lot 173**

<p><b>AG 160064</b> SPN Mat. 111 OEK 30 TKP 433 RI 107 Oud/Kalw. 4/2 Gem. Sl/Kalf 102/2</p>	<p><b>AG 100080</b> SPN Mat. 111</p> 	<p><b>AG 110305</b> SPN Mat. 115 Oud/Kalw. 8/5 Gem. Sl/Kalf 105/5</p>	<p><b>LAR 040233</b> SPN Mat. 88</p> <p><b>AG 050239</b> SPN Mat. 98 Oud/Kalw. 4/3 Gem. Sl/Kalf 104/3</p> <p><b>PAD 070064</b> SPN Mat. 120</p> <p><b>AG 030272</b> SPN Mat. 84 Oud/Kalw. 12/11 Gem. Sl/Kalf 96/11</p>	<p><b>LAR 000084</b> SPN Mat. 102</p> <p><b>LAR 960212</b> SPN Mat. 88</p> <p><b>RCO 000091</b> SPN Mat. 70</p> <p><b>HDE 010106</b> SPN Mat. 125</p> <p><b>EI 040038</b> SPN Mat. 93</p> <p><b>CSW 030015</b> SPN Mat. 107</p> <p><b>FAN 000010</b> SPN Mat. 104</p> <p><b>AG 010158</b> SPN Mat. 77</p>
---	--	---	--	---


**Lot 174**

<p><b>AG 160189</b> SPN Mat. 90 OEK 26 TKP 361 RI 119 Oud/Kalw. 3/2 Gem. Sl/Kalf 111/1</p>	<p><b>AG 110192</b> SPN Mat. 103</p> 	<p><b>AG 080070</b> SPN Mat. 78 Oud/Kalw. 9/6 Gem. Sl/Kalf 99/6</p>	<p><b>VV 070012</b> SPN Mat. 112 Goud</p> <p><b>AG 030031</b> SPN Mat. 94 Oud/Kalw. 12/8 Gem. Sl/Kalf 99/8</p> <p><b>AG 050085</b> SPN Mat. 82</p> <p><b>AG 990046</b> SPN Mat. 76 Oud/Kalw. 9/7 Gem. Sl/Kalf 95/7</p>	<p><b>VV 040046</b> SPN Mat. 113</p> <p><b>VV 040214</b> SPN Mat. 115</p> <p><b>AG 990142</b> SPN Mat. 94</p> <p><b>AG 980093</b> SPN Mat. 92</p> <p><b>AG 980012</b> SPN Mat. 69</p> <p><b>AG 010049</b> SPN Mat. 92</p> <p><b>AG 930109</b> SPN Mat. 74</p> <p><b>AG 940080</b> SPN Mat. 101</p>
--	--	---	--	--

**Lot 175**

<p><b>AG 170034</b> SPN Mat. 98 OEK 29 TKP RI 113 Oud/Kalw. 2/1 Gem. Sl/Kalf 103/1</p>	<p><b>ADV 070154</b> SPN Mat. 109</p> 	<p><b>AG 100260</b> SPN Mat. 84 Oud/Kalw. 9/8 Gem. Sl/Kalf 97/7</p>	<p><b>LAR 030398</b> SPN Mat. 71</p> <p><b>ADV 030008</b> SPN Mat. 126 Oud/Kalw. 16/13 Gem. Sl/Kalf 107/11</p> <p><b>LAR 060034</b> SPN Mat. 114</p> <p><b>AG 070075</b> SPN Mat. 67 Oud/Kalw. 8/6 Gem. Sl/Kalf 97/6</p>	<p><b>LAR 010297</b> SPN Mat. 71</p> <p><b>LAR 990031</b> SPN Mat. 86</p> <p><b>AG 980338</b> SPN Mat. 87</p> <p><b>AG 990103</b> SPN Mat. 105</p> <p><b>LAR 020101</b> SPN Mat. 95</p> <p><b>LAR 980130</b> SPN Mat. 114</p> <p><b>AG 040405</b> SPN Mat. 82</p> <p><b>AG 030149</b> SPN Mat. 86</p>
--	---	---	--	---

**Lot 176**

<p><b>AG 170099</b> SPN Mat. 91 OEK 27 TKP RI 118 Oud/Kalw. 2/1 Gem. Sl/Kalf 99/1</p>	<p><b>AG 080409</b> SPN Mat. 68</p> 	<p><b>AG 110332</b> SPN Mat. 114 Oud/Kalw. 8/7 Gem. Sl/Kalf 108/5</p>	<p><b>LAR 030398</b> SPN Mat. 71</p> <p><b>AG 020165</b> SPN Mat. 111 Oud/Kalw. 15/12 Gem. Sl/Kalf 101/12</p> <p><b>AG 090094</b> SPN Mat. 98</p> <p><b>AG 090150</b> SPN Mat. 106 Oud/Kalw. 10/8 Gem. Sl/Kalf 104/7</p>	<p><b>LAR 010297</b> SPN Mat. 71</p> <p><b>LAR 990031</b> SPN Mat. 86</p> <p><b>AG 960059</b> SPN Mat. 110</p> <p><b>AG 930026</b> SPN Mat. 97</p> <p><b>WBB 070035</b> SPN Mat. 90</p> <p><b>AG 020194</b> SPN Mat. 75</p> <p><b>MRW 040198 P</b> SPN Mat. 80</p> <p><b>AG 070013</b> SPN Mat. 101</p>
---	---	---	--	---


## FEMALE ANIMALS

Lot	Seller	ID	POLLED	Gen	PARENTS		Test	Breeding Value Indexes										Days Open	Breeder Own Remarks					
					SIRE GV PV	DAM GV PV		Genomic Tested	Birth Dir	Wean Dir	Birth Mat	Wean Mat	Mat Wgt	Post Wean	ADG	FCR	SC			Hgt	Lgt	LHR	BWR	WWR
								DNA		Acc	Acc	Acc	Acc	Acc	Acc	Acc	Acc	Acc	Acc	Acc	Acc	Acc	Age	
						Birth Date		Wgt kg	Wgt kg	Ind	kg	kg	kg	365d Ind	540d Ind	Ind	Ind	(mm)	(mm)	(mm)		Calves		


### Pregnant Cows

177	DE VILLIERS AG & SEUN	AG 150278 SP	AG 120720	PW365	<b>90</b>	<b>114</b>	<b>103</b>	<b>108</b>	<b>97</b>	<b>111</b>	<b>102</b>	<b>99</b>	<b>111</b>	<b>92</b>	<b>103</b>	-	141			
			<input checked="" type="checkbox"/>		2.12	19.7	-0.35	5.9	6.0	29.1	107	-43	18.4	-4	19				4.7	
			AG 120336	DNA	80	74	68	63	40	62	40	20	41	41	41	8.5			4.7	
			<input checked="" type="checkbox"/>	08.07.15	34												3			
178	DE VILLIERS AG & SEUN	AG 150460 SP	AG 090751	PW365	<b>85</b>	<b>111</b>	<b>109</b>	<b>96</b>	<b>102</b>	<b>108</b>	<b>95</b>	<b>95</b>	<b>93</b>	<b>89</b>	<b>99</b>	-	581			
			<input checked="" type="checkbox"/>		2.63	18.3	-0.62	2.7	12.0	27.0	71	-36	4.4	-7	13				4.4	
			AG 110754	DNA	78	74	63	67	45	63	51	28	53	53	53	7.83			4.4	
			<input checked="" type="checkbox"/>	11.10.15	36												39.6	1		
179	DE VILLIERS AG & SEUN	AG 150431 SP	AG 090751	PW365	<b>96</b>	<b>110</b>	<b>94</b>	<b>110</b>	<b>102</b>	<b>106</b>	<b>99</b>	<b>99</b>	<b>102</b>	<b>92</b>	<b>105</b>	-	175			
			<input checked="" type="checkbox"/>		1.48	17.8	0.06	6.5	12.0	25.8	93	-44	11.3	-5	21				4.4	
			AG 100082	DNA	80	75	68	68	48	66	52	29	54	54	53	7.42			4.4	
			<input checked="" type="checkbox"/>	05.10.15	33												48.4	2		
180	DE VILLIERS AG & SEUN	RHJ 160001 SP	AG 080409	PW365	<b>107</b>	<b>96</b>	<b>122</b>	<b>78</b>	<b>91</b>	<b>92</b>	<b>93</b>	<b>95</b>	<b>97</b>	<b>91</b>	<b>93</b>	-	253			
			<input checked="" type="checkbox"/>		0.30	11.6	-1.22	-2.2	0.0	15.9	64	-36	6.9	-6	4				4.2	
			AG 110233	DNA	79	77	68	72	46	66	51	30	53	54	53	7.21			4.2	
			<input checked="" type="checkbox"/>	01.01.16	33												-	2		
181	DE VILLIERS AG & SEUN	AG 160070 SP	AG 100080	PW365	<b>89</b>	<b>111</b>	<b>106</b>	<b>101</b>	<b>103</b>	<b>109</b>	<b>101</b>	<b>99</b>	<b>106</b>	<b>100</b>	<b>104</b>	-	226			
			<input checked="" type="checkbox"/>		2.16	18.2	-0.50	4.1	13.0	27.7	101	-44	14.3	2	20				4.1	
			AG 110340	DNA	79	76	67	72	44	64	40	21	43	44	43	6.27			4.1	
			<input checked="" type="checkbox"/>	24.02.16	36												-	2		
182	DE VILLIERS AG & SEUN	AG 160792 SP	AG 110301	PW540	<b>98</b>	<b>107</b>	<b>122</b>	<b>113</b>	<b>95</b>	<b>113</b>	<b>109</b>	<b>100</b>	<b>112</b>	<b>104</b>	<b>109</b>	-	263			
			<input checked="" type="checkbox"/>		1.29	16.6	-1.19	7.4	4.0	30.4	136	-46	19.3	5	27				3.3	
			AG 120377	DNA	78	74	60	63	40	68	45	27	48	49	48	7.11			3.3	
			<input checked="" type="checkbox"/>	12.11.16	32												39.4	1		


**Lot 177**

<p><b>AG 150278</b>                  SPN Mat. 108                  AFC 28                  ICP 355                  RI 116                  Age/Calv. 4/3                  Avg. WI/Calf 99/3</p>	 <p><b>AG 120720</b>                  SPN Mat. 107</p>	<p><b>AG 120336</b>                  SPN Mat. 112                  Age/Calv. 6/4                  Avg. WI/Calf 98/4</p>	<p><b>LAR 060034</b>                  SPN Mat. 114</p> <p><b>AG 080845</b>                  AFC 36 SPN Mat. 106                  ICP 457 Age/Calv. 7/4                  Avg. WI/Calf 107/2</p> <p><b>FCT 060109</b>                  SPN Mat. 119</p> <p><b>AG 080004</b>                  SPN Mat. 102                  Age/Calv. 12/10                  Avg. WI/Calf 97/9</p>	<p><b>LAR 020101</b>                  SPN Mat. 95  <b>LAR 980130</b>                  SPN Mat. 114  <b>MMJ 030052</b>                  SPN Mat. 118  <b>AG 990322</b>                  SPN Mat. 95  <b>FCT 040101</b>                  SPN Mat. 89  <b>FCT 980024</b>                  SPN Mat. 112  <b>AG 040310</b>                  SPN Mat. 119  <b>AG 970352</b>                  SPN Mat. 106</p>
--	--	---	---	---


**Lot 178**

<p><b>AG 150460</b>                  SPN Mat. 96                  AFC 34                  ICP                  RI 97                  Age/Calv. 3/1                  Avg. WI/Calf 97/1</p>	 <p><b>AG 090751</b>                  SPN Mat. 108</p>	<p><b>AG 110754</b>                  SPN Mat. 79                  Age/Calv. 6/4                  Avg. WI/Calf 93/4</p>	<p><b>CEF 040431</b>                  SPN Mat. 90</p> <p><b>AG 980250</b>                  AFC 35 SPN Mat. 127                  ICP 443 Age/Calv. 15/11                  Avg. WI/Calf 106/10</p> <p><b>AG 080057</b>                  SPN Mat. 89</p> <p><b>AG 080439</b>                  SPN Mat. 77                  Age/Calv. 5/4                  Avg. WI/Calf 101/4</p>	<p><b>CEF 020328</b>                  SPN Mat. 90  <b>CEF 950055</b>                  SPN Mat. 85  <b>AG 950059</b>                  SPN Mat. 102  <b>AG 940258</b>                  SPN Mat. 110  <b>AG 030177</b>                  SPN Mat. 85  <b>AG 020124</b>                  SPN Mat. 89  <b>LAR 030398</b>                  SPN Mat. 71  <b>AG 020297</b>                  SPN Mat. 90</p>
--	--	--	---	--


**Lot 179**

<p><b>AG 150431</b>                  SPN Mat. 110                  AFC 34                  ICP 399                  RI 100                  Age/Calv. 4/2                  Avg. WI/Calf 100/2</p>	 <p><b>AG 090751</b>                  SPN Mat. 108</p>	<p><b>AG 100082</b>                  SPN Mat. 110                  Age/Calv. 9/7                  Avg. WI/Calf 106/7</p>	<p><b>AG 060027</b>                  SPN Mat. 92</p> <p><b>AG 050128</b>                  SPN Mat. 95                  Age/Calv. 7/5                  Avg. WI/Calf 107/4</p>	<p><b>CEF 020328</b>                  SPN Mat. 90  <b>CEF 950055</b>                  SPN Mat. 85  <b>AG 950059</b>                  SPN Mat. 102  <b>AG 940258</b>                  SPN Mat. 110  <b>LAR 010176</b>                  SPN Mat. 84  <b>AG 020147</b>                  SPN Mat. 123  <b>AG 000100</b>                  SPN Mat. 92  <b>AG 030367</b>                  SPN Mat. 101</p>
---	--	--	--	--


**Lot 180**

<p><b>RHJ 160001</b>                  SPN Mat. 78                  AFC 31                  ICP 349                  RI 111                  Age/Calv. 4/2                  Avg. WI/Calf 95/2</p>	 <p><b>AG 080409</b>                  SPN Mat. 68</p>	<p><b>AG 110233</b>                  SPN Mat. 89                  Age/Calv. 8/7                  Avg. WI/Calf 102/7</p>	<p><b>LAR 030398</b>                  SPN Mat. 71</p> <p><b>AG 020165</b>                  AFC 30 SPN Mat. 111                  ICP 422 Age/Calv. 15/12                  Avg. WI/Calf 101/12</p> <p><b>PAD 070100</b>                  SPN Mat. 105</p> <p><b>AG 990048</b>                  SPN Mat. 88                  Age/Calv. 12/10                  Avg. WI/Calf 97/10</p>	<p><b>LAR 010297</b>                  SPN Mat. 71  <b>LAR 990031</b>                  SPN Mat. 86  <b>AG 960059</b>                  SPN Mat. 110  <b>AG 930026</b>                  SPN Mat. 97  <b>EI 040038</b>                  SPN Mat. 93  <b>AG 910197</b>                  SPN Mat. 114  <b>AG 930109</b>                  SPN Mat. 74  <b>AG 940006</b>                  SPN Mat. 93</p>
--	---	---	---	---

**Lot 181**

<p><b>AG 160070</b>                  SPN Mat. 101                  AFC 29                  ICP 367                  RI 113                  Age/Calv. 3/2                  Avg. WI/Calf 100/2</p>	 <p><b>AG 100080</b>                  SPN Mat. 111</p>	<p><b>AG 110340</b>                  SPN Mat. 100                  Age/Calv. 7/5                  Avg. WI/Calf 101/5</p>	<p><b>LAR 040233</b>                  SPN Mat. 88</p> <p><b>AG 050239</b>                  AFC 24 SPN Mat. 98                  ICP 452 Age/Calv. 4/3                  Avg. WI/Calf 104/3</p> <p><b>AG 070138</b>                  SPN Mat. 106</p> <p><b>LTS 980057</b>                  SPN Mat. 100                  Age/Calv. 16/12                  Avg. WI/Calf 102/10</p>	<p><b>LAR 000084</b>                  SPN Mat. 102  <b>LAR 960212</b>                  SPN Mat. 88  <b>RCO 000091</b>                  SPN Mat. 70  <b>HDE 010106</b>                  SPN Mat. 125  <b>AG 010258</b>                  SPN Mat. 94  <b>AG 980250</b>                  SPN Mat. 127  <b>AG 920094</b>                  SPN Mat. 119  <b>LTS 950090</b>                  SPN Mat. 88</p>
---	--	--	---	--

**Lot 182**

<p><b>AG 160792</b>                  SPN Mat. 113                  AFC 31                  ICP                  RI 105                  Age/Calv. 3/1                  Avg. WI/Calf 110/1</p>	 <p><b>AG 110301</b>                  SPN Mat. 108</p>	<p><b>AG 120377</b>                  SPN Mat. 99                  Age/Calv. 6/4                  Avg. WI/Calf 101/4</p>	<p><b>VV 070012</b>                  SPN Mat. 112                  Gold Elite-Gold</p> <p><b>AG 040253</b>                  AFC 24 SPN Mat. 105                  ICP 406 Age/Calv. 12/10                  Avg. WI/Calf 105/10</p> <p><b>AG 070745</b>                  SPN Mat. 96</p> <p><b>AG 030216</b>                  SPN Mat. 104                  Age/Calv. 13/12                  Avg. WI/Calf 106/12</p>	<p><b>VV 040046</b>                  SPN Mat. 113  <b>VV 040214</b>                  SPN Mat. 115  <b>RAI 990034</b>                  SPN Mat. 89  <b>AG 980005</b>                  SPN Mat. 101  <b>WAT 030085</b>                  SPN Mat. 101  <b>AG 030221</b>                  SPN Mat. 112  <b>AG 980200</b>                  SPN Mat. 100  <b>AG 980133</b>                  SPN Mat. 90</p>
---	--	---	--	---



**VOULIKE DIERE**

Lot	Verkoper	ID	POENA	Gen	OUIERS	Toets	TEELWAARDE INDEKSE										Dae Oop	Gebruiker Eie Opmerkings		
							DIREKTE KALF EIENSKAPPE		DOGTER EIENSKAPPE			GROEI		DOEL	REP	MATES			V:	
							Nageslag Geboortegewig	Nageslag Speengewig	Gemak van Kalwing	Melk prod.	Volwas-se Gewig	Naspeen-gewig	Daaglikse Toename	Voer-omset		Hoogte & Lengte				
VADER GV OV	Genomies Getoets	Geb Dir	Speen Dir	Geb Mat	Speen Mat	Volw Gew	Naspeen	GDT	VOV	SO	Hgt	Lgt	LHV							
MOEDER GV OV	DNS	Akk	Akk	Akk	Akk	Akk	Akk	Akk	Akk	Akk	Akk	Akk	Akk	GGV						
	Geb. dat.	Gew kg	Gew kg	Ind	kg	kg	kg	365d Ind	540d Ind	Ind	Ind	(mm)	(mm)	(mm)	SGV	Kalwers				



**Dragtige Koeie**

183	DE VILLIERS AG & SEUN	AG 150884	AG 110192	NS365	<b>90</b>	<b>102</b>	<b>136</b>	<b>116</b>	<b>88</b>	<b>104</b>	<b>113</b>	<b>111</b>	<b>109</b>	<b>93</b>	<b>101</b>	-	175	
			<input checked="" type="checkbox"/>			2.12	14.3	-1.85	8.3	-4.0	24.2	157	-69	16.6	-4	16	7.2	4.3
			AG 080092	DNS		81	75	68	67	39	64	47	26	51	52	51		
		SP	<input checked="" type="checkbox"/>	14.11.15	36											38.1	2	
184	DE VILLIERS AG & SEUN	AG 150302	AG 110317	NS365	<b>116</b>	<b>86</b>	<b>122</b>	<b>92</b>	<b>75</b>	<b>87</b>	<b>85</b>	<b>93</b>	<b>107</b>	<b>79</b>	<b>85</b>	-	158	
			<input checked="" type="checkbox"/>			-0.72	6.9	-1.23	1.6	-17.0	12.8	24	-32	14.9	-16	-6	7.18	4.6
			AG 120427	DNS		82	73	69	64	39	64	45	27	48	49	48		
		SP	<input checked="" type="checkbox"/>	15.08.15	28											-	3	
185	DE VILLIERS AG & SEUN	AG 150817	HCO 090044	NS365	<b>106</b>	<b>108</b>	<b>113</b>	<b>92</b>	<b>89</b>	<b>106</b>	<b>102</b>	<b>107</b>	<b>101</b>	<b>89</b>	<b>94</b>	-	159	
			<input checked="" type="checkbox"/>			0.38	16.7	-0.78	1.6	-2.0	25.5	104	-61	10.8	-7	6	6.73	4.4
			AG 060001	DNS		82	78	72	73	49	67	52	30	55	56	55		
		SP	<input checked="" type="checkbox"/>	31.10.15	33											41.5	3	
186	DE VILLIERS AG & SEUN	AG 160009	ADV 070154	NS365	<b>88</b>	<b>97</b>	<b>92</b>	<b>106</b>	<b>92</b>	<b>102</b>	<b>103</b>	<b>98</b>	<b>91</b>	<b>95</b>	<b>101</b>	-	603	
			<input checked="" type="checkbox"/>			2.28	12.1	0.19	5.4	1.0	23.3	109	-42	2.2	-2	16	5.81	4.2
			AG 020185	DNS		79	76	66	69	49	66	54	33	56	56	55		
		SP	<input checked="" type="checkbox"/>	06.01.16	35											-	1	
187	DE VILLIERS AG & SEUN	AG 160084	AG 110215	NS365	<b>93</b>	<b>114</b>	<b>117</b>	<b>88</b>	<b>106</b>	<b>119</b>	<b>105</b>	<b>98</b>	<b>120</b>	<b>100</b>	<b>107</b>	-	261	
			<input checked="" type="checkbox"/>			1.77	19.7	-0.98	0.4	16.0	34.8	120	-43	25.4	2	24	5.45	4
			AG 090145	DNS		78	74	62	65	46	63	46	26	49	49	48		
		SP	<input checked="" type="checkbox"/>	05.03.16	34											-	2	
188	DE VILLIERS AG & SEUN	AG 160052	ADV 070154	NS365	<b>80</b>	<b>109</b>	<b>92</b>	<b>109</b>	<b>100</b>	<b>112</b>	<b>110</b>	<b>99</b>	<b>99</b>	<b>98</b>	<b>108</b>	-	252	
			<input checked="" type="checkbox"/>			3.11	17.2	0.16	6.4	9.0	29.9	142	-45	9.1	0	25	6.85	4.1
			AG 070193	DNS		81	77	69	73	47	66	52	30	54	54	54		
		SP	<input checked="" type="checkbox"/>	06.02.16	37											-	2	



### Lot 183

<p><b>AG 150884</b> SPN Mat. 116 OEK 33 TKP 405 RI 102 Oud/Kalw. 4/2 Gem. Sl/Kalf 109/2</p>		<p><b>AG 110192</b> SPN Mat. 103</p> <p><b>AG 080092</b> SPN Mat. 103 Oud/Kalw. 12/10 Gem. Sl/Kalf 104/9</p>		<p><b>VV 070012</b> SPN Mat. 112 Goud</p> <p><b>AG 030031</b> OEK 30 SPN Mat. 94 TKP 475 Oud/Kalw. 12/8 Gem. Sl/Kalf 99/8</p> <p><b>AG 050085</b> SPN Mat. 82</p> <p><b>AG 990135</b> OEK 24 SPN Mat. 118 TKP 392 Oud/Kalw. 14/12 Gem. Sl/Kalf 101/10</p>	<p><b>VV 040046</b> SPN Mat. 113 <b>VV 040214</b> SPN Mat. 115 <b>AG 990142</b> SPN Mat. 94 <b>AG 980093</b> SPN Mat. 92 <b>AG 980012</b> SPN Mat. 69 <b>AG 010049</b> SPN Mat. 92 <b>AG 920046</b> SPN Mat. 123 <b>AG N 0045</b> SPN Mat. 105</p>
---	---	--	---	---	--



### Lot 184

<p><b>AG 150302</b> SPN Mat. 92 OEK 26 TKP 362 RI 119 Oud/Kalw. 4/3 Gem. Sl/Kalf 96/3</p>		<p><b>AG 110317</b> SPN Mat. 112</p> <p><b>AG 120427</b> OEK 34 SPN Mat. 77 TKP 506 Oud/Kalw. 7/4 RI 90 Gem. Sl/Kalf 95/2</p>		<p><b>VV 070012</b> SPN Mat. 112 Goud</p> <p><b>AG 030322</b> OEK 24 SPN Mat. 111 TKP 424 Oud/Kalw. 9/7 Gem. Sl/Kalf 103/7</p> <p><b>PAD 070100</b> SPN Mat. 105</p> <p><b>AG 060355</b> OEK 24 SPN Mat. 73 TKP 394 Oud/Kalw. 12/10 Gem. Sl/Kalf 94/9</p>	<p><b>VV 040046</b> SPN Mat. 113 <b>VV 040214</b> SPN Mat. 115 <b>RCO 000091</b> SPN Mat. 70 <b>AG 980145</b> SPN Mat. 132 <b>EI 040038</b> SPN Mat. 93 <b>AG 910197</b> SPN Mat. 114 <b>AG 010245</b> SPN Mat. 69 <b>AG 000185</b> SPN Mat. 90</p>
---	---	---	---	---	---



### Lot 185

<p><b>AG 150817</b> SPN Mat. 92 OEK 23 TKP 363 RI 123 Oud/Kalw. 4/3 Gem. Sl/Kalf 105/3</p>		<p><b>HCO 090044</b> SPN Mat. 111</p> <p><b>AG 060001</b> OEK 32 SPN Mat. 74 TKP 369 Oud/Kalw. 14/12 RI 113 Gem. Sl/Kalf 96/11</p>		<p><b>VV 030346</b> SPN Mat. 115 Elite-Goud</p> <p><b>HJB 060044</b> OEK 26 SPN Mat. 94 TKP 384 Oud/Kalw. 11/9 Gem. Sl/Kalf 101/9</p> <p><b>AG 030205</b> SPN Mat. 84</p> <p><b>AG 000228</b> OEK 24 SPN Mat. 102 TKP 495 Oud/Kalw. 11/8 Gem. Sl/Kalf 105/8</p>	<p><b>VV 000318</b> SPN Mat. 87 <b>VV 970265</b> SPN Mat. 136 <b>RCO 010162</b> SPN Mat. 69 <b>HJB 010959</b> SPN Mat. 111 <b>AG 980338</b> SPN Mat. 87 <b>AG 960246</b> SPN Mat. 98 <b>AG 970011</b> SPN Mat. 95 <b>AG 960026</b> SPN Mat. 110</p>
--	---	--	---	---	---



### Lot 186

<p><b>AG 160009</b> SPN Mat. 106 OEK 30 TKP RI 108 Oud/Kalw. 3/1 Gem. Sl/Kalf 102/1</p>		<p><b>ADV 070154</b> SPN Mat. 109</p> <p><b>AG 020185</b> OEK 23 SPN Mat. 93 TKP 374 Oud/Kalw. 14/13 RI 117 Gem. Sl/Kalf 94/13</p>		<p><b>LAR 030398</b> SPN Mat. 71</p> <p><b>ADV 030008</b> OEK 31 SPN Mat. 126 TKP 377 Oud/Kalw. 16/13 Gem. Sl/Kalf 107/11</p> <p><b>AG 960184</b> SPN Mat. 114</p> <p><b>AG 950103</b> OEK 28 SPN Mat. 109 TKP 368 Oud/Kalw. 10/9 Gem. Sl/Kalf 104/8</p>	<p><b>LAR 010297</b> SPN Mat. 71 <b>LAR 990031</b> SPN Mat. 86 <b>AG 980338</b> SPN Mat. 87 <b>AG 990103</b> SPN Mat. 105 <b>AG 940145</b> SPN Mat. 104 <b>AG J 0101</b> SPN Mat. 145 <b>AG H 0001</b> SPN Mat. 104 <b>AG 910220</b> SPN Mat. 128</p>
---	---	--	---	--	---

### Lot 187

<p><b>AG 160084</b> SPN Mat. 88 OEK 30 TKP 307 RI 116 Oud/Kalw. 3/2 Gem. Sl/Kalf 92/1</p>		<p><b>AG 110215</b> SPN Mat. 97</p> <p><b>AG 090145</b> OEK 26 SPN Mat. 93 TKP 528 Oud/Kalw. 6/4 RI 98 Gem. Sl/Kalf 99/4</p>		<p><b>VV 070012</b> SPN Mat. 112 Goud Elite-Goud</p> <p><b>AG 020297</b> OEK 23 SPN Mat. 90 TKP 413 Oud/Kalw. 11/9 Gem. Sl/Kalf 108/9</p> <p><b>FCT 060109</b> SPN Mat. 119</p> <p><b>AG 070180</b> OEK 24 SPN Mat. 86 TKP 393 Oud/Kalw. 4/3 Gem. Sl/Kalf 107/3</p>	<p><b>VV 040046</b> SPN Mat. 113 <b>VV 040214</b> SPN Mat. 115 <b>AG 960184</b> SPN Mat. 114 <b>AG 930179</b> SPN Mat. 75 <b>FCT 040101</b> SPN Mat. 89 <b>FCT 980024</b> SPN Mat. 112 <b>GBS 020119</b> SPN Mat. 73 <b>AG 050081</b> SPN Mat. 90</p>
---	---	--	---	---	---

### Lot 188

<p><b>AG 160052</b> SPN Mat. 109 OEK 30 TKP 334 RI 113 Oud/Kalw. 3/2 Gem. Sl/Kalf 108/2</p>		<p><b>ADV 070154</b> SPN Mat. 109</p> <p><b>AG 070193</b> OEK 24 SPN Mat. 91 TKP 372 Oud/Kalw. 11/10 RI 117 Gem. Sl/Kalf 99/10</p>		<p><b>LAR 030398</b> SPN Mat. 71</p> <p><b>ADV 030008</b> OEK 31 SPN Mat. 126 TKP 377 Oud/Kalw. 16/13 Gem. Sl/Kalf 107/11</p> <p><b>EI 040038</b> SPN Mat. 93</p> <p><b>AG 040102</b> OEK 25 SPN Mat. 85 TKP 367 Oud/Kalw. 13/12 Gem. Sl/Kalf 99/13</p>	<p><b>LAR 010297</b> SPN Mat. 71 <b>LAR 990031</b> SPN Mat. 86 <b>AG 980338</b> SPN Mat. 87 <b>AG 990103</b> SPN Mat. 105 <b>EI 980080</b> SPN Mat. 88 <b>EI 990057</b> SPN Mat. 101 <b>RAI 990034</b> SPN Mat. 89 <b>AG 950033</b> SPN Mat. 82</p>
---	---	--	---	---	---




## FEMALE ANIMALS

Lot	Seller	ID	PARENTS	Test	Breeding Value Indexes											Days Open	Breeder Own Remarks		
					DIRECT CALF TRAITS		DAUGHTER TRAITS			GROWTH		EFF.	REP	MEASURE-MENTS				R:	
					Progeny Birth Weight	Progeny Wean Weight	Ease of Calving	Milk prod.	Mature Weight	Post Wean Weight	Daily Gain	Feed Conv			Height & Length				
			SIRE GV PV	Genomic Tested	Birth Dir	Wean Dir	Birth Mat	Wean Mat	Mat Wgt	Post Wean	ADG	FCR	SC	Hgt	Lgt	LHR	Age		
		POLLED	DAM GV PV	DNA	Acc	Acc	Acc	Acc	Acc	Acc	Acc	Acc	Acc	Acc	Acc	BWR		Calves	
		Gen	Birth Date	Wgt kg	Wgt kg	Ind	kg	kg	kg	365d Ind	540d Ind	Ind	Ind	(mm)	(mm)	(mm)			


## Pregnant Cows

189	DE VILLIERS AG & SEUN	AG 160181	AG 120184 <input checked="" type="checkbox"/>	PW540	<b>116</b>	<b>90</b>	<b>108</b>	<b>97</b>	<b>85</b>	<b>90</b>	<b>95</b>	<b>92</b>	<b>107</b>	<b>91</b>	<b>94</b>	-	199
		SP	AG 140079 <input checked="" type="checkbox"/>	DNA	-0.68	8.8	-0.59	3.0	-7.0	14.6	72	-29	15.5	-6	7	7.18	3.5
				03.09.16	28											-	2
190	DE VILLIERS AG & SEUN	AG 160058	AG 080409 <input checked="" type="checkbox"/>	PW365	<b>106</b>	<b>92</b>	<b>111</b>	<b>91</b>	<b>90</b>	<b>90</b>	<b>85</b>	<b>89</b>	<b>102</b>	<b>89</b>	<b>93</b>	-	208
		SP	AG 110108 <input checked="" type="checkbox"/>	DNA	0.43	9.7	-0.70	1.3	-1.0	15.0	28	-23	11.0	-7	4	6.11	4.1
				14.02.16	32											-	2
191	DE VILLIERS AG & SEUN	AG 160350	AG 110317 <input checked="" type="checkbox"/>	PW540	<b>105</b>	<b>92</b>	<b>117</b>	<b>95</b>	<b>77</b>	<b>95</b>	<b>88</b>	<b>96</b>	<b>100</b>	<b>75</b>	<b>85</b>	-	162
		SP	AG 120444 <input checked="" type="checkbox"/>	DNA	0.45	9.5	-0.97	2.4	-16.0	18.1	40	-37	9.3	-18	-7	7.27	3.4
				13.10.16	32											46.7	2
192	DE VILLIERS AG & SEUN	AG 160016	MCU 100109 <input checked="" type="checkbox"/>	PW365	<b>98</b>	<b>102</b>	<b>123</b>	<b>102</b>	<b>93</b>	<b>99</b>	<b>85</b>	<b>95</b>	<b>91</b>	<b>82</b>	<b>91</b>	-	304
		SP	AG 090351 <input checked="" type="checkbox"/>	DNA	1.20	14.1	-1.26	4.3	2.0	21.1	27	-35	2.5	-13	1	6.98	4.2
				10.01.16	34											-	2
193	DE VILLIERS AG & SEUN	AG 160329	AG 100080 <input checked="" type="checkbox"/>	PW540	<b>96</b>	<b>107</b>	<b>116</b>	<b>103</b>	<b>105</b>	<b>105</b>	<b>88</b>	<b>92</b>	<b>95</b>	<b>90</b>	<b>97</b>	-	105
		SP	AG 110024 <input checked="" type="checkbox"/>	DNA	1.44	16.6	-0.91	4.5	15.0	25.3	39	-29	6.0	-7	10	6.94	3.4
				10.10.16	34											44.9	2
194	DE VILLIERS AG & SEUN	AG 160902	AG 100438 <input checked="" type="checkbox"/>	PW540	<b>102</b>	<b>90</b>	<b>137</b>	<b>94</b>	<b>75</b>	<b>82</b>	<b>84</b>	<b>86</b>	<b>111</b>	<b>83</b>	<b>93</b>	-	290
		SP	AG 130211 <input checked="" type="checkbox"/>	DNA	0.87	8.9	-1.91	2.2	-18.0	9.5	22	-18	18.0	-12	4	3.67	3.3
				05.12.16	33											-	1


**Lot 189**

<p><b>AG 160181</b>                  SPN Mat. 97                  AFC 25                  ICP 323                  RI 124                  Age/Calv. 3/2                  Avg. WI/Calf 94/2</p>	<p><b>AG 120184</b>                  SPN Mat. 107</p> 	<p><b>AG 070126</b>                  SPN Mat. 111                  Elite-Bronze  <b>AG 090297</b>                  AFC 23 SPN Mat. 105                  ICP 375 Age/Calv. 9/8                  Avg. WI/Calf 99/7  <b>AG 090310</b>                  SPN Mat. 114  <b>AG 090076</b>                  AFC 20 SPN Mat. 85                  ICP 392 Age/Calv. 7/6                  Avg. WI/Calf 100/6</p>	<p><b>RCO 000091</b>                  SPN Mat. 70  <b>HTC 000027</b>                  SPN Mat. 133  <b>CEF 050503</b>                  SPN Mat. 90  <b>AG 050038</b>                  SPN Mat. 109  <b>HJS 030016</b>                  SPN Mat. 97  <b>AG 040253</b>                  SPN Mat. 105  <b>AG 030181</b>                  SPN Mat. 74  <b>AG 030125</b>                  SPN Mat. 114</p>
---	---	---	---


**Lot 190**

<p><b>AG 160058</b>                  SPN Mat. 91                  AFC 31                  ICP 340                  RI 111                  Age/Calv. 4/2                  Avg. WI/Calf 102/1</p>	<p><b>AG 080409</b>                  SPN Mat. 68</p> 	<p><b>LAR 030398</b>                  SPN Mat. 71  <b>AG 020165</b>                  AFC 30 SPN Mat. 111                  ICP 422 Age/Calv. 15/12                  Avg. WI/Calf 101/12  <b>FCT 060109</b>                  SPN Mat. 119  <b>AG 050321</b>                  AFC 24 SPN Mat. 96                  ICP 421 Age/Calv. 5/4                  Avg. WI/Calf 108/4</p>	<p><b>LAR 010297</b>                  SPN Mat. 71  <b>LAR 990031</b>                  SPN Mat. 86  <b>AG 960059</b>                  SPN Mat. 110  <b>AG 930026</b>                  SPN Mat. 97  <b>FCT 040101</b>                  SPN Mat. 89  <b>FCT 980024</b>                  SPN Mat. 112  <b>AG 990104</b>                  SPN Mat. 63  <b>HTC 990039</b>                  SPN Mat. 101</p>
--	--	--	---


**Lot 191**

<p><b>AG 160350</b>                  SPN Mat. 95                  AFC 24                  ICP 343                  RI 125                  Age/Calv. 3/2                  Avg. WI/Calf 100/2</p>	<p><b>AG 110317</b>                  SPN Mat. 112</p> 	<p><b>VV 070012</b>                  SPN Mat. 112                  Gold  <b>AG 030322</b>                  AFC 24 SPN Mat. 111                  ICP 424 Age/Calv. 9/7                  Avg. WI/Calf 103/7  <b>AG 090082</b>                  SPN Mat. 101  <b>AG 070460</b>                  AFC 23 SPN Mat. 72                  ICP 374 Age/Calv. 5/4                  Avg. WI/Calf 99/4</p>	<p><b>VV 040046</b>                  SPN Mat. 113  <b>VV 040214</b>                  SPN Mat. 115  <b>RCO 000091</b>                  SPN Mat. 70  <b>AG 980145</b>                  SPN Mat. 132  <b>AG 050085</b>                  SPN Mat. 82  <b>AG 000005</b>                  SPN Mat. 132  <b>AG 010245</b>                  SPN Mat. 69  <b>AG 990287</b>                  SPN Mat. 87</p>
--	---	---	--


**Lot 192**

<p><b>AG 160016</b>                  SPN Mat. 102                  AFC 30                  ICP 317                  RI 115                  Age/Calv. 3/2                  Avg. WI/Calf 100/2</p>	<p><b>MCU 100109 Pp(c)</b>                  SPN Mat. 107</p> 	<p><b>JJ 040115</b>                  SPN Mat. 121  <b>MCU 050086 Pp(c)</b>                  AFC 28 SPN Mat. 91                  ICP 393 Age/Calv. 12/10                  Avg. WI/Calf 102/10  <b>VV 040146</b>                  SPN Mat. 70  <b>AG 040045</b>                  AFC 25 SPN Mat. 88                  ICP 440 Age/Calv. 11/8                  Avg. WI/Calf 96/7</p>	<p><b>MMJ 000319</b>                  SPN Mat. 112  <b>JJ 000072</b>                  SPN Mat. 135  <b>DFJ 000029 P</b>                  SPN Mat. 72  <b>MCU 970028</b>                  SPN Mat. 109  <b>VV 010230</b>                  SPN Mat. 59  <b>VV 000463</b>                  SPN Mat. 115  <b>AG 980338</b>                  SPN Mat. 87  <b>AG 970041</b>                  SPN Mat. 106</p>
---	--	--	---

**Lot 193**

<p><b>AG 160329</b>                  SPN Mat. 103                  AFC 26                  ICP 359                  RI 120                  Age/Calv. 3/2                  Avg. WI/Calf 113/1</p>	<p><b>AG 100080</b>                  SPN Mat. 111</p> 	<p><b>LAR 040233</b>                  SPN Mat. 88  <b>AG 050239</b>                  AFC 24 SPN Mat. 98                  ICP 452 Age/Calv. 4/3                  Avg. WI/Calf 104/3  <b>AG 060447</b>                  SPN Mat. 73  <b>AG 070110</b>                  AFC 35 SPN Mat. 90                  ICP 406 Age/Calv. 11/8                  Avg. WI/Calf 103/8</p>	<p><b>LAR 000084</b>                  SPN Mat. 102  <b>LAR 960212</b>                  SPN Mat. 88  <b>RCO 000091</b>                  SPN Mat. 70  <b>HDE 010106</b>                  SPN Mat. 125  <b>AG 030256</b>                  SPN Mat. 86  <b>AG 980011</b>                  SPN Mat. 83  <b>RCO 000091</b>                  SPN Mat. 70  <b>AG 960246</b>                  SPN Mat. 98</p>
---	---	---	--

**Lot 194**

<p><b>AG 160902</b>                  SPN Mat. 94                  AFC 30                  ICP                  RI 110                  Age/Calv. 2/1                  Avg. WI/Calf 94/1</p>	<p><b>AG 100438</b>                  SPN Mat. 110</p> 	<p><b>CSW 010014</b>                  SPN Mat. 95  <b>AG 990115</b>                  AFC 30 SPN Mat. 120                  ICP 403 Age/Calv. 14/11                  Avg. WI/Calf 102/11  <b>WBB 080049</b>                  SPN Mat. 79  <b>AG 100289</b>                  AFC 35 SPN Mat. 95                  ICP 525 Age/Calv. 6/3                  Avg. WI/Calf 99/3</p>	<p><b>BG 960125</b>                  SPN Mat. 100  <b>CSW 980048</b>                  SPN Mat. 113  <b>AG 920046</b>                  SPN Mat. 123  <b>AG 900105</b>                  SPN Mat. 103  <b>AG 020172</b>                  SPN Mat. 75  <b>WBB 060009</b>                  SPN Mat. 94  <b>FCT 060109</b>                  SPN Mat. 119  <b>AG 050399</b>                  SPN Mat. 83</p>
---	---	--	---


## VROULIKE DIERE

Lot	Verkoper	ID	OUERS	Toets	Teelwaarde indekse											Dae Oop	Gebruiker Eie Opmerkings		
					DIREKTE KALF EIENSKAPPE		DOGTER EIENSKAPPE			GROEI		DOEL	REP	MATES				V:	
		POENA	VADER GV OV	Genomies Getoets	Geb Dir	Speen Dir	Geb Mat	Speen Mat	Volwas- Gewig	Naspeen- gewig	GDT	VOV	SO	Hgt	Lgt	LHV			
		Gen	MOEDER GV OV	DNS	Akk	Akk	Akk	Akk	Akk	Akk	Akk	Akk	Akk	Akk	Akk	GGV		Oud	
				Geb. dat.	Gew kg	Gew kg	Ind	kg	kg	kg	365d Ind	540d Ind	Ind	Ind	(mm)	(mm)		(mm)	SGV


### Dragtige Koeie

195	DE VILLIERS AG & SEUN	RHJ 160004 SP	AG 080409	NS365	<b>101</b>	<b>94</b>	<b>106</b>	<b>86</b>	<b>97</b>	<b>90</b>	<b>97</b>	<b>105</b>	<b>92</b>	<b>88</b>	<b>92</b>	-	170		
			<input checked="" type="checkbox"/>			0.96	10.5	-0.46	0.1	7.0	14.9	81	-56	2.9	-8	3		6.32	4.1
			AG 110087	DNS		79	75	68	68	47	66	53	31	55	56	55			
			<input checked="" type="checkbox"/>	24.01.16	33											-	2		
196	DE VILLIERS AG & SEUN	AG 160183 SP	AG 120184	NS540	<b>105</b>	<b>87</b>	<b>101</b>	<b>112</b>	<b>87</b>	<b>85</b>	<b>88</b>	<b>91</b>	<b>97</b>	<b>87</b>	<b>90</b>	-	223		
			<input checked="" type="checkbox"/>			0.47	7.4	-0.23	7.1	-5.0	11.4	40	-27	7.4	-9	1		8.82	3.5
			AG 130243	DNS		77	72	57	61	38	65	35	18	37	37	37			
			<input checked="" type="checkbox"/>	04.09.16	30											-	1		
197	DE VILLIERS AG & SEUN	AG 160703 SP	AG 110215	NS540	<b>97</b>	<b>103</b>	<b>123</b>	<b>104</b>	<b>105</b>	<b>100</b>	<b>112</b>	<b>102</b>	<b>116</b>	<b>109</b>	<b>110</b>	-	254		
			<input checked="" type="checkbox"/>			1.39	14.5	-1.23	5.0	15.0	21.6	152	-50	22.0	9	28		6.8	3.4
			JMP 080024	DNS		80	76	64	67	47	70	46	36	50	51	50			
			<input checked="" type="checkbox"/>	03.11.16	34											-	1		
198	DE VILLIERS AG & SEUN	AG 160373 SP	AG 130728	NS540	<b>109</b>	<b>98</b>	<b>101</b>	<b>112</b>	<b>93</b>	<b>107</b>	<b>101</b>	<b>96</b>	<b>103</b>	<b>96</b>	<b>101</b>	-	382		
			<input checked="" type="checkbox"/>			0.03	12.6	-0.24	7.1	2.0	26.8	101	-39	12.1	-2	16		7.44	3.4
			AG 120187	DNS		76	71	54	59	36	62	35	18	37	37	37			
			<input checked="" type="checkbox"/>	18.10.16	32											54.6	1		
199	DE VILLIERS AG & SEUN	AG 160864 SP	AG 100438	NS540	<b>84</b>	<b>107</b>	<b>109</b>	<b>115</b>	<b>97</b>	<b>107</b>	<b>103</b>	<b>96</b>	<b>118</b>	<b>99</b>	<b>109</b>	-	238		
			<input checked="" type="checkbox"/>			2.71	16.5	-0.62	8.0	7.0	26.5	112	-38	23.7	1	27		8.67	3.3
			AG 130385	DNS		78	74	60	63	44	68	47	24	49	50	49			
			<input checked="" type="checkbox"/>	26.11.16	39											-	1		
200	DE VILLIERS AG & SEUN	AG 160172 SP	AG 120231	NS540	<b>102</b>	<b>95</b>	<b>116</b>	<b>101</b>	<b>96</b>	<b>86</b>	<b>96</b>	<b>101</b>	<b>96</b>	<b>86</b>	<b>95</b>	-	73		
			<input checked="" type="checkbox"/>			0.79	10.9	-0.94	4.1	5.0	12.2	78	-48	6.8	-10	7		8.21	3.5
			AG 140003	DNS		78	70	62	51	36	65	34	19	37	37	36			
			<input checked="" type="checkbox"/>	27.08.16	32											-	2		


### Lot 195

<p><b>RHJ 160004</b> SPN Mat. 86 OEK 31 TKP 391 RI 107 Oud/Kalw. 4/2 Gem. Sl/Kalf 103/2</p>	<p><b>AG 080409</b> SPN Mat. 68</p> 	<p><b>LAR 030398</b> SPN Mat. 71</p> <p><b>AG 020165</b> OEK 30 SPN Mat. 111 TKP 422 Oud/Kalw. 15/12 Gem. Sl/Kalf 101/12</p> <p><b>AG 050263</b> SPN Mat. 116</p> <p><b>AG 020245</b> OEK 23 SPN Mat. 107 TKP 387 Oud/Kalw. 14/12 Gem. Sl/Kalf 103/12</p>	<p><b>LAR 010297</b> SPN Mat. 71</p> <p><b>LAR 990031</b> SPN Mat. 86</p> <p><b>AG 960059</b> SPN Mat. 110</p> <p><b>AG 930026</b> SPN Mat. 97</p> <p><b>AG 030256</b> SPN Mat. 86</p> <p><b>AG 950255</b> SPN Mat. 129</p> <p><b>AG 980338</b> SPN Mat. 87</p> <p><b>AG 960026</b> SPN Mat. 110</p>
---	---	---	--


### Lot 196

<p><b>AG 160183</b> SPN Mat. 112</p> <p>OEK 35 TKP RI 94 Oud/Kalw. 3/1 Gem. Sl/Kalf 102/1</p>	<p><b>AG 120184</b> SPN Mat. 107</p> 	<p><b>AG 070126</b> SPN Mat. 111</p> <p>Elite-Brons</p> <p><b>AG 090297</b> OEK 23 SPN Mat. 105 TKP 375 Oud/Kalw. 9/8 Gem. Sl/Kalf 99/7</p> <p><b>TOR 050216</b> SPN Mat. 108</p> <p><b>AG 100104</b> OEK 30 SPN Mat. 101 TKP 372 Oud/Kalw. 9/7 Gem. Sl/Kalf 99/7</p>	<p><b>RCO 000091</b> SPN Mat. 70</p> <p><b>HTC 000027</b> SPN Mat. 133</p> <p><b>CEF 050503</b> SPN Mat. 90</p> <p><b>AG 050038</b> SPN Mat. 109</p> <p><b>AG 010051</b> SPN Mat. 107</p> <p><b>RAI 020013</b> SPN Mat. 109</p> <p><b>AG 060027</b> SPN Mat. 92</p> <p><b>BFB 000102</b> SPN Mat. 109</p>
---	--	---	---


### Lot 197

<p><b>AG 160703</b> SPN Mat. 104 OEK 32 TKP RI 103 Oud/Kalw. 3/1 Gem. Sl/Kalf 102/1</p>	<p><b>AG 110215</b> SPN Mat. 97</p> 	<p><b>VV 070012</b> SPN Mat. 112 Goud Elite-Goud</p> <p><b>AG 020297</b> OEK 23 SPN Mat. 90 TKP 413 Oud/Kalw. 11/9 Gem. Sl/Kalf 108/9</p> <p><b>MMJ 020150</b> SPN Mat. 92</p> <p><b>SER 990026</b> OEK 35 SPN Mat. 120 TKP 439 Oud/Kalw. 15/11 Gem. Sl/Kalf 103/11</p>	<p><b>VV 040046</b> SPN Mat. 113</p> <p><b>VV 040214</b> SPN Mat. 115</p> <p><b>AG 960184</b> SPN Mat. 114</p> <p><b>AG 930179</b> SPN Mat. 75</p> <p><b>EI 980080</b> SPN Mat. 88</p> <p><b>MMJ 980325</b> SPN Mat. 88</p> <p><b>LAR 950012</b> SPN Mat. 142</p> <p><b>SER 930014</b> SPN Mat. 117</p>
---	---	---	---


### Lot 198

<p><b>AG 160373</b> SPN Mat. 112</p> <p>OEK 28 TKP RI 114 Oud/Kalw. 2/1 Gem. Sl/Kalf 105/1</p>	<p><b>AG 130728</b> SPN Mat. 120</p> 	<p><b>AG 090310</b> SPN Mat. 114</p> <p><b>AG 090170</b> OEK 24 SPN Mat. 124 TKP 371 Oud/Kalw. 5/4 Gem. Sl/Kalf 111/4</p> <p><b>AG 080150</b> SPN Mat. 92</p> <p><b>GZV 100328</b> OEK 24 SPN Mat. 100 TKP 377 Oud/Kalw. 8/7 Gem. Sl/Kalf 102/7</p>	<p><b>HJS 030016</b> SPN Mat. 97</p> <p><b>AG 040253</b> SPN Mat. 105</p> <p><b>CEF 040431</b> SPN Mat. 90</p> <p><b>AG 000167</b> SPN Mat. 119</p> <p><b>EI 940339</b> SPN Mat. 117</p> <p><b>AG 060173</b> SPN Mat. 84</p> <p><b>PHR 060062</b> SPN Mat. 78</p> <p><b>GZV 040043</b> SPN Mat. 95</p>
--	--	---	--

### Lot 199

<p><b>AG 160864</b> SPN Mat. 115 OEK 32 TKP RI 104 Oud/Kalw. 3/1 Gem. Sl/Kalf 105/1</p>	<p><b>AG 100438</b> SPN Mat. 110</p> 	<p><b>CSW 010014</b> SPN Mat. 95</p> <p><b>AG 990115</b> OEK 30 SPN Mat. 120 TKP 403 Oud/Kalw. 14/11 Gem. Sl/Kalf 102/11</p> <p><b>AG 090310</b> SPN Mat. 114</p> <p>Elite-Silwer</p> <p><b>AG 100082</b> OEK 30 SPN Mat. 110 TKP 372 Oud/Kalw. 9/7 Gem. Sl/Kalf 106/7</p>	<p><b>BG 960125</b> SPN Mat. 100</p> <p><b>CSW 980048</b> SPN Mat. 113</p> <p><b>AG 920046</b> SPN Mat. 123</p> <p><b>AG 900105</b> SPN Mat. 103</p> <p><b>HJS 030016</b> SPN Mat. 97</p> <p><b>AG 040253</b> SPN Mat. 105</p> <p><b>AG 060027</b> SPN Mat. 92</p> <p><b>AG 050128</b> SPN Mat. 95</p>
---	--	--	--

### Lot 200

<p><b>AG 160172</b> SPN Mat. 101</p> <p>OEK 26 TKP 416 RI 115 Oud/Kalw. 3/2 Gem. Sl/Kalf 93/1</p>	<p><b>AG 120231</b> SPN Mat. 102</p> 	<p><b>AG 090094</b> SPN Mat. 98</p> <p>Elite-Goud</p> <p><b>AG 100035</b> OEK 31 SPN Mat. 105 TKP 371 Oud/Kalw. 10/8 Gem. Sl/Kalf 104/7</p> <p><b>TOR 050216</b> SPN Mat. 108</p> <p><b>AG 100116</b> OEK 30 SPN Mat. 88 TKP 370 Oud/Kalw. 10/8 Gem. Sl/Kalf 101/8</p>	<p><b>WBB 070035</b> SPN Mat. 90</p> <p><b>AG 020194</b> SPN Mat. 75</p> <p><b>AG 060027</b> SPN Mat. 92</p> <p><b>AG 980218</b> SPN Mat. 122</p> <p><b>AG 010051</b> SPN Mat. 107</p> <p><b>RAI 020013</b> SPN Mat. 109</p> <p><b>CEF 040431</b> SPN Mat. 90</p> <p><b>AG 980238</b> SPN Mat. 78</p>
---	--	--	---

## FEMALE ANIMALS

Lot	Seller	ID	PARENTS	Test	Breeding Value Indexes											Days Open	Breeder Own Remarks										
					DIRECT CALF TRAITS		DAUGHTER TRAITS			GROWTH		EFF.	REP	MEASURE-MENTS				R:									
		POLLED		SIRE		Genomic Tested		Birth Dir		Wean Dir		Birth Mat		Wean Mat		Mat Wgt		Post Wean		ADG	FCR	SC	Hgt	Lgt	LHR	Age	
		Gen		DAM		DNA		Acc		Acc		Acc		Acc		Acc		Acc		Acc	Acc	Acc	Acc	Acc	Acc	WWR	Calves
				GV		PV		Wgt kg		Wgt kg		kg		kg		kg		365d Ind		540d Ind		Ind	Ind	(mm)	(mm)	(mm)	


### Pregnant Cows

201	DE VILLIERS AG & SEUN	AG 160381	AG 110231	PW540	<b>76</b>	<b>113</b>	<b>102</b>	<b>80</b>	<b>114</b>	<b>104</b>	<b>107</b>	<b>108</b>	<b>94</b>	<b>99</b>	<b>103</b>	-	240	
			<input checked="" type="checkbox"/>			3.59	19.1	-0.30	-1.8	24.0	24.7	129	-63	5.2	1	18	-	3.4
			AG 100067	DNA	79	74	64	61	52	69	51	37	53	54	53	7.8		
		SP	<input checked="" type="checkbox"/>	18.10.16	39											50.8	1	
202	DE VILLIERS AG & SEUN	AG 160143	CEF 100450	PW540	<b>112</b>	<b>95</b>	<b>123</b>	<b>98</b>	<b>76</b>	<b>98</b>	<b>106</b>	<b>103</b>	<b>94</b>	<b>93</b>	<b>99</b>	-	279	
			<input checked="" type="checkbox"/>			-0.21	11.1	-1.26	3.1	-16.0	20.6	124	-53	4.6	-4	13	-	3.6
			AG 130335	DNA	77	72	59	55	41	66	48	17	51	51	50	6.67		
		SP	<input checked="" type="checkbox"/>	31.07.16	28											-	1	
203	DE VILLIERS AG & SEUN	AG 160312	AG 110317	PW540	<b>121</b>	<b>77</b>	<b>121</b>	<b>110</b>	<b>78</b>	<b>80</b>	<b>85</b>	<b>95</b>	<b>103</b>	<b>73</b>	<b>81</b>	-	271	
			<input checked="" type="checkbox"/>			-1.22	3.0	-1.18	6.6	-14.0	7.9	25	-35	11.9	-20	-12	-	3.4
			AG 120134	DNA	78	73	62	57	40	68	44	26	48	48	47	6.04		
		SP	<input checked="" type="checkbox"/>	08.10.16	29											47.5	1	
204	DE VILLIERS AG & SEUN	AG 170040	AG 110192	PW540	<b>104</b>	<b>98</b>	<b>129</b>	<b>108</b>	<b>95</b>	<b>98</b>	<b>103</b>	<b>103</b>	<b>118</b>	<b>92</b>	<b>95</b>	-	270	
			<input checked="" type="checkbox"/>			0.63	12.5	-1.52	6.1	4.0	20.3	108	-53	24.2	-5	8	-	3.1
			AG 090297	DNA	79	75	64	66	41	69	45	25	48	49	48	6.47		
		SP	<input checked="" type="checkbox"/>	06.02.17	33											38.2	1	
205	DE VILLIERS AG & SEUN	AG 170274	BBP 130257	PW540	<b>86</b>	<b>116</b>	<b>117</b>	<b>120</b>	<b>87</b>	<b>108</b>	<b>105</b>	<b>100</b>	<b>105</b>	<b>107</b>	<b>109</b>	-	165	
			<input checked="" type="checkbox"/>			2.53	20.3	-0.97	9.3	-4.0	27.3	121	-46	13.5	7	27	-	2.5
			AG 080051	DNA	80	74	62	55	44	69	45	33	49	49	48	-		
		SP	<input checked="" type="checkbox"/>	26.09.17	35											43.8	1	
206	DE VILLIERS AG & SEUN	RHJ 170011	AG 120720	PW540	<b>94</b>	<b>108</b>	<b>110</b>	<b>96</b>	<b>86</b>	<b>110</b>	<b>105</b>	<b>105</b>	<b>112</b>	<b>91</b>	<b>98</b>	-	232	
			<input checked="" type="checkbox"/>			1.71	16.8	-0.66	2.7	-6.0	28.3	118	-56	19.3	-6	11	-	3
			AG 110403	DNA	78	74	61	64	41	68	40	24	41	42	41	6.59		
		SP	<input checked="" type="checkbox"/>	19.03.17	36											36.8	1	


1.03	13.3	-0.20	3.8	10	21.7	96	-46	9.6	2	14
------	------	-------	-----	----	------	----	-----	-----	---	----




**Lot 201**

<p><b>AG 160381</b>                  SPN Mat. 80                  AFC 33                  ICP                  RI 100                  Age/Calv. 3/1                  Avg. WI/Calf 100/1</p>	<p><b>AG 110231</b>                  SPN Mat. 81</p> 	<p><b>AG 070745</b>                  SPN Mat. 96</p> <p><b>AG 070467</b>                  AFC 34 SPN Mat. 107                  ICP 370 Age/Calv. 10/8                  Avg. WI/Calf 104/8</p> <p><b>AG 030205</b>                  SPN Mat. 84</p> <p><b>BZ 020007</b>                  AFC 36 SPN Mat. 91                  ICP 419 Age/Calv. 16/12                  Avg. WI/Calf 99/10</p>	<p><b>WAT 030085</b>                  SPN Mat. 101  <b>AG 030221</b>                  SPN Mat. 112  <b>LAR 030312</b>                  SPN Mat. 104  <b>AG 040150</b>                  SPN Mat. 110  <b>AG 980338</b>                  SPN Mat. 87  <b>AG 960246</b>                  SPN Mat. 98  <b>AG 960315</b>                  SPN Mat. 98  <b>TBR 940084</b>                  SPN Mat. 100</p>
--	--	---	---


**Lot 202**

<p><b>AG 160143</b>                  SPN Mat. 98                  AFC 34                  ICP                  RI 96                  Age/Calv. 3/1                  Avg. WI/Calf 101/1</p>	<p><b>CEF 100450</b>                  SPN Mat. 98</p> 	<p><b>CEF 080439</b>                  SPN Mat. 87</p> <p><b>CEF 080019</b>                  AFC 30 SPN Mat. 115                  ICP 363 Age/Calv. 10/9                  Avg. WI/Calf 101/8</p> <p><b>PAD 070093</b>                  SPN Mat. 102</p> <p><b>AG 090096</b>                  AFC 30 SPN Mat. 96                  ICP 383 Age/Calv. 10/7                  Avg. WI/Calf 101/6</p>	<p><b>CEF 040458</b>                  SPN Mat. 91  <b>CEF 010198</b>                  SPN Mat. 84  <b>VV 040046</b>                  SPN Mat. 113  <b>CEF 010036</b>                  SPN Mat. 134  <b>CSW 030109</b>                  SPN Mat. 95  <b>AG 050042</b>                  SPN Mat. 102  <b>AG 050085</b>                  SPN Mat. 82  <b>AG 020200</b>                  SPN Mat. 113</p>
---	---	--	---


**Lot 203**

<p><b>AG 160312</b>                  SPN Mat. 110                  AFC 32                  ICP                  RI 102                  Age/Calv. 3/1                  Avg. WI/Calf 103/1</p>	<p><b>AG 110317</b>                  SPN Mat. 112</p> 	<p><b>VV 070012</b>                  SPN Mat. 112                  Gold</p> <p><b>AG 030322</b>                  AFC 24 SPN Mat. 111                  ICP 424 Age/Calv. 9/7                  Avg. WI/Calf 103/7</p> <p><b>JL 070323</b>                  SPN Mat. 104</p> <p><b>AG 050317</b>                  AFC 25 SPN Mat. 113                  ICP 400 Age/Calv. 13/11                  Avg. WI/Calf 104/11</p>	<p><b>VV 040046</b>                  SPN Mat. 113  <b>VV 040214</b>                  SPN Mat. 115  <b>RCO 000091</b>                  SPN Mat. 70  <b>AG 980145</b>                  SPN Mat. 132  <b>BHE 050156</b>                  SPN Mat. 78  <b>EI 940254</b>                  SPN Mat. 146  <b>AG 980012</b>                  SPN Mat. 69  <b>AG 950151</b>                  SPN Mat. 127</p>
---	---	--	--


**Lot 204**

<p><b>AG 170040</b>                  SPN Mat. 108                  AFC 28                  ICP                  RI 114                  Age/Calv. 2/1                  Avg. WI/Calf 109/1</p>	<p><b>AG 110192</b>                  SPN Mat. 103</p>  <p>Elite-Bronze</p>	<p><b>VV 070012</b>                  SPN Mat. 112                  Gold</p> <p><b>AG 030031</b>                  AFC 30 SPN Mat. 94                  ICP 475 Age/Calv. 12/8                  Avg. WI/Calf 99/8</p> <p><b>CEF 050503</b>                  SPN Mat. 90</p> <p><b>AG 050038</b>                  AFC 31 SPN Mat. 109                  ICP 444 Age/Calv. 9/6                  Avg. WI/Calf 102/6</p>	<p><b>VV 040046</b>                  SPN Mat. 113  <b>VV 040214</b>                  SPN Mat. 115  <b>AG 990142</b>                  SPN Mat. 94  <b>AG 980093</b>                  SPN Mat. 92  <b>CEF 030453</b>                  SPN Mat. 104  <b>CEF 030001</b>                  SPN Mat. 96  <b>AG 010152</b>                  SPN Mat. 99  <b>AG 020279</b>                  SPN Mat. 106</p>
---	---	--	---

**Lot 205**

<p><b>AG 170274</b>                  SPN Mat. 120                  AFC 24                  ICP                  RI 127                  Age/Calv. 2/1                  Avg. WI/Calf 105/1</p>	<p><b>BBP 130257</b>                  SPN Mat. 118</p>  <p>Elite-Gold</p>	<p><b>VV 060002</b>                  SPN Mat. 105                  Gold</p> <p><b>CRV 110122</b>                  AFC 28 SPN Mat. 130                  ICP 435 Age/Calv. 8/5                  Avg. WI/Calf 104/5</p> <p><b>AG 040310</b>                  SPN Mat. 119</p> <p>Elite-Gold</p> <p><b>AG 000055</b>                  AFC 28 SPN Mat. 112                  ICP 402 Age/Calv. 16/13                  Avg. WI/Calf 96/13</p>	<p><b>LAR 010176</b>                  SPN Mat. 84  <b>AG 020103</b>                  SPN Mat. 108  <b>WBB 060002</b>                  SPN Mat. 105  <b>HJB 990288</b>                  SPN Mat. 127  <b>AG 020251</b>                  SPN Mat. 120  <b>AG 930063</b>                  SPN Mat. 101  <b>AG 920046</b>                  SPN Mat. 123  <b>AG L 0098</b>                  SPN Mat. 103</p>
---	--	--	---

**Lot 206**

<p><b>RHJ 170011</b>                  SPN Mat. 96                  AFC 28                  ICP                  RI 115                  Age/Calv. 2/1                  Avg. WI/Calf 96/1</p>	<p><b>AG 120720</b>                  SPN Mat. 107</p> 	<p><b>LAR 060034</b>                  SPN Mat. 114</p> <p><b>AG 080845</b>                  AFC 36 SPN Mat. 106                  ICP 457 Age/Calv. 7/4                  Avg. WI/Calf 107/2</p> <p><b>VV 070012</b>                  SPN Mat. 112                  Gold</p> <p><b>AG 050203</b>                  AFC 24 SPN Mat. 104                  ICP 381 Age/Calv. 12/11                  Avg. WI/Calf 103/11</p>	<p><b>LAR 020101</b>                  SPN Mat. 95  <b>LAR 980130</b>                  SPN Mat. 114  <b>MMJ 030052</b>                  SPN Mat. 118  <b>AG 990322</b>                  SPN Mat. 95  <b>VV 040046</b>                  SPN Mat. 113  <b>VV 040214</b>                  SPN Mat. 115  <b>AG 010152</b>                  SPN Mat. 99  <b>AG 030021</b>                  SPN Mat. 99</p>
--	---	---	--


## VROULIKE DIERE

Lot	Verkoper	ID	OUERS	Toets	Teelwaarde indekse											LHV	GGV	SGV	Gebruiker Eie Opmerkings
					VADER GV OV	Genomies Getoets	Geb Dir	Speen Dir	Geb Mat	Speen Mat	Volwas- se Gewig	Naspeen	GDT	VOV	SO				
POENA	MOEDER GV OV	DNS	Akk	Akk	Akk	Akk	Akk	Akk	Akk	Akk	Akk	Akk	Akk	Akk	Akk	Akk	Akk		
Gen	Geb. dat.	Gew kg	Gew kg	Ind	kg	kg	kg	365d Ind	540d Ind	Ind	Ind	(mm)	(mm)	(mm)					


### Dragtige Verse

207	DE VILLIERS AG & SEUN	AG 170963 SP	AG 140141 <input checked="" type="checkbox"/>	NS540	<b>102</b>	<b>107</b>	<b>104</b>	<b>93</b>	<b>87</b>	<b>96</b>	<b>103</b>	<b>106</b>	<b>107</b>	<b>91</b>	<b>96</b>	-	
					0.82	16.4	-0.40	1.8	-4.0	19.0	109	-58	15.1	-6	8	-	
			AG 120383 <input checked="" type="checkbox"/>	DNS	77	72	50	52	39	67	39	17	41	42	41	-	
			19.11.17	36	201	<b>105</b>				93	100					40.9	
208	DE VILLIERS AG & SEUN	AG 170780 SP	AG 100438 <input checked="" type="checkbox"/>	NS540	<b>96</b>	<b>94</b>	<b>120</b>	<b>98</b>	<b>79</b>	<b>95</b>	<b>91</b>	<b>91</b>	<b>94</b>	<b>91</b>	<b>97</b>	-	
					1.50	10.7	-1.10	3.2	-13.0	18.0	53	-27	5.1	-6	10	-	
			AG 110152 <input checked="" type="checkbox"/>	DNS	78	75	55	56	44	69	48	25	52	53	51	-	
			24.10.17	34	209	<b>93</b>				94	94					40.7	
209	DE VILLIERS AG & SEUN	AG 170444 SP	AG 110231 <input checked="" type="checkbox"/>	NS540	<b>68</b>	<b>108</b>	<b>106</b>	<b>90</b>	<b>113</b>	<b>103</b>	<b>105</b>	<b>104</b>	<b>101</b>	<b>96</b>	<b>99</b>	-	
					4.38	17.1	-0.48	1.0	24.0	23.6	121	-55	10.6	-2	13	-	
			AG 080314 <input checked="" type="checkbox"/>	DNS	78	74	59	61	49	70	49	34	52	53	52	-	
			13.10.17	42	229	<b>100</b>				96	96					39.9	
210	DE VILLIERS AG & SEUN	AG 170483 SP	ADV 100285 <input checked="" type="checkbox"/>	NS540	<b>98</b>	<b>96</b>	<b>106</b>	<b>91</b>	<b>85</b>	<b>92</b>	<b>96</b>	<b>100</b>	<b>90</b>	<b>91</b>	<b>92</b>	-	
					1.26	11.6	-0.46	1.4	-7.0	16.4	76	-47	1.9	-6	3	-	
			AG 090721 <input checked="" type="checkbox"/>	DNS	77	73	56	58	46	68	46	24	49	50	49	-	
			16.10.17	28	208	<b>96</b>				91	100					40.8	
211	DE VILLIERS AG & SEUN	AG 170970 SP	AG 110215 <input checked="" type="checkbox"/>	NS540	<b>96</b>	<b>106</b>	<b>112</b>	<b>106</b>	<b>95</b>	<b>108</b>	<b>109</b>	<b>101</b>	<b>124</b>	<b>98</b>	<b>107</b>	-	
					1.50	16.1	-0.76	5.4	4.0	27.3	136	-48	28.6	0	24	-	
			AG 070097 <input checked="" type="checkbox"/>	DNS	78	64	59	59	45	61	49	30	53	54	52	-	
			21.11.17	34	336	<b>116</b>				97	104					-	
212	DE VILLIERS AG & SEUN	AG 171058 SP	AG 080409 <input checked="" type="checkbox"/>	NS540	<b>97</b>	<b>96</b>	<b>106</b>	<b>76</b>	<b>98</b>	<b>97</b>	<b>92</b>	<b>99</b>	<b>98</b>	<b>80</b>	<b>86</b>	-	
					1.34	11.4	-0.47	-2.7	8.0	19.4	58	-44	8.3	-15	-5	-	
			AG 110422 <input checked="" type="checkbox"/>	DNS	79	75	60	62	45	70	52	29	54	54	53	-	
			25.12.17	34	179	<b>92</b>				96	96					34.4	


### Lot 207

<p><b>AG 170963</b> SPN Mat. 93</p>	<p><b>AG 140141</b> SPN Mat. 93</p> 	<p><b>AG 080210</b> SPN Mat. 105</p> <p><b>AG 090377</b> OEK 25 SPN Mat. 91 TKP 421 Oud/Kalw. 9/7 Gem. SI/Kalf 100/7</p> <p><b>TOR 050216</b> SPN Mat. 108</p> <p><b>AG 050212</b> OEK 26 SPN Mat. 80 TKP 363 Oud/Kalw. 12/11 Gem. SI/Kalf 97/11</p>	<p><b>HJS 030016</b> SPN Mat. 97</p> <p><b>BZ 020158</b> SPN Mat. 130</p> <p><b>AJF 040075</b> SPN Mat. 119</p> <p><b>AG 030387</b> SPN Mat. 74</p> <p><b>AG 010051</b> SPN Mat. 107</p> <p><b>RAI 020013</b> SPN Mat. 109</p> <p><b>FAN 000010</b> SPN Mat. 104</p> <p><b>AG 030174</b> SPN Mat. 63</p>
---	---	--	--


### Lot 208

<p><b>AG 170780</b> SPN Mat. 98</p>	<p><b>AG 100438</b> SPN Mat. 110</p> 	<p><b>CSW 010014</b> SPN Mat. 95</p> <p><b>AG 990115</b> OEK 30 SPN Mat. 120 TKP 403 Oud/Kalw. 14/11 Gem. SI/Kalf 102/11</p> <p><b>AG 070111</b> SPN Mat. 67</p> <p><b>AG 080844</b> OEK 34 SPN Mat. 75 TKP 453 Oud/Kalw. 5/3 Gem. SI/Kalf 87/3</p>	<p><b>BG 960125</b> SPN Mat. 100</p> <p><b>CSW 980048</b> SPN Mat. 113</p> <p><b>AG 920046</b> SPN Mat. 123</p> <p><b>AG 900105</b> SPN Mat. 103</p> <p><b>AG 030029</b> SPN Mat. 65</p> <p><b>AG 020134</b> SPN Mat. 99</p> <p><b>LAR 030398</b> SPN Mat. 71</p> <p><b>AG 020021</b> SPN Mat. 94</p>
---	--	---	---


### Lot 209

<p><b>AG 170444</b> SPN Mat. 90</p>	<p><b>AG 110231</b> SPN Mat. 81</p> 	<p><b>AG 070745</b> SPN Mat. 96</p> <p><b>AG 070467</b> OEK 34 SPN Mat. 107 TKP 370 Oud/Kalw. 10/8 Gem. SI/Kalf 104/8</p> <p><b>RGR 030186</b> SPN Mat. 90</p> <p><b>AG 050313</b> OEK 23 SPN Mat. 76 TKP 415 Oud/Kalw. 12/10 Gem. SI/Kalf 96/8</p>	<p><b>WAT 030085</b> SPN Mat. 101</p> <p><b>AG 030221</b> SPN Mat. 112</p> <p><b>LAR 030312</b> SPN Mat. 104</p> <p><b>AG 040150</b> SPN Mat. 110</p> <p><b>RGR 010115</b> SPN Mat. 74</p> <p><b>RGR 000040</b> SPN Mat. 93</p> <p><b>RCO 000091</b> SPN Mat. 70</p> <p><b>AG 010105</b> SPN Mat. 93</p>
---	---	---	--


### Lot 210

<p><b>AG 170483</b> SPN Mat. 91</p>	<p><b>ADV 100285</b> SPN Mat. 95</p> 	<p><b>ADV 040182</b> SPN Mat. 77</p> <p><b>AG 970118</b> OEK 26 SPN Mat. 112 TKP 402 Oud/Kalw. 13/11 Gem. SI/Kalf 100/9</p> <p><b>CEF 040431</b> SPN Mat. 90</p> <p><b>Elite-Goud</b> <b>BZ 030201</b> OEK 35 SPN Mat. 99 TKP 381 Oud/Kalw. 13/11 Gem. SI/Kalf 98/10</p>	<p><b>AG 980012</b> SPN Mat. 69</p> <p><b>AG 980111</b> SPN Mat. 103</p> <p><b>AG J 0008</b> SPN Mat. 88</p> <p><b>AG 930155</b> SPN Mat. 110</p> <p><b>CEF 020328</b> SPN Mat. 90</p> <p><b>CEF 950055</b> SPN Mat. 85</p> <p><b>RCO 990110</b> SPN Mat. 116</p> <p><b>BFB 000034</b> SPN Mat. 101</p>
---	--	--	---

### Lot 211

<p><b>AG 170970</b> SPN Mat. 106</p>	<p><b>AG 110215</b> SPN Mat. 97</p> 	<p><b>VV 070012</b> SPN Mat. 112 Goud Elite-Goud</p> <p><b>AG 020297</b> OEK 23 SPN Mat. 90 TKP 413 Oud/Kalw. 11/9 Gem. SI/Kalf 108/9</p> <p><b>LAR 010176</b> SPN Mat. 84</p> <p><b>AG 990243</b> OEK 24 SPN Mat. 136 TKP 463 Oud/Kalw. 16/12 Gem. SI/Kalf 104/11</p>	<p><b>VV 040046</b> SPN Mat. 113</p> <p><b>VV 040214</b> SPN Mat. 115</p> <p><b>AG 960184</b> SPN Mat. 114</p> <p><b>AG 930179</b> SPN Mat. 75</p> <p><b>AG 970048</b> SPN Mat. 91</p> <p><b>LAR 980262</b> SPN Mat. 93</p> <p><b>AG 960233</b> SPN Mat. 105</p> <p><b>AG 950147</b> SPN Mat. 120</p>
--	---	--	---

### Lot 212

<p><b>AG 171058</b> SPN Mat. 76</p>	<p><b>AG 080409</b> SPN Mat. 68</p> 	<p><b>LAR 030398</b> SPN Mat. 71</p> <p><b>AG 020165</b> OEK 30 SPN Mat. 111 TKP 422 Oud/Kalw. 15/12 Gem. SI/Kalf 101/12</p> <p><b>AG 070742</b> SPN Mat. 78</p> <p><b>AG 070353</b> OEK 24 SPN Mat. 103 TKP 408 Oud/Kalw. 11/9 Gem. SI/Kalf 102/8</p>	<p><b>LAR 010297</b> SPN Mat. 71</p> <p><b>LAR 990031</b> SPN Mat. 86</p> <p><b>AG 960059</b> SPN Mat. 110</p> <p><b>AG 930026</b> SPN Mat. 97</p> <p><b>WAT 030085</b> SPN Mat. 101</p> <p><b>AG 030216</b> SPN Mat. 104</p> <p><b>LAR 030312</b> SPN Mat. 104</p> <p><b>AG 040220</b> SPN Mat. 99</p>
---	---	--	---