

EXPLANATION OF ABBREVIATIONS IN CATALOGUE
VERDUIDELIKING VAN AFKORTINGS IN KATALOGUS

	DIRECT CALF TRAITS	DIREKTE KALF EIENSKAPPE	Kalf eienskappe
Calf traits	DIRECT CALF TRAITS	DIREKTE KALF EIENSKAPPE	Kalf eienskappe
Daughter traits	DAUGHTER TRAITS	DOGTER EIENSKAPPE	Dogter eienskappe
Growth traits	GROWTH	GROEI	Groei eienskappe
Efficiency traits	EFF	DOEL	Doeltreffendheids eienskappe
Reproduction traits	REPRODUCTION	REPRODUKSIE	Reproduksie eienskappe
Body measurements	MEASURE	MATES	Liggaamsmates
Lot number	Lot	Lot	Lotnommer
Ratio	R:	V:	Verhouding
Identification number	ID	ID	Identifikasienommer
Generation/Section of Herdbook	Gen	Gen	Generasie/Afdeling van kuddeboek
Weight in kilogram	Wgt kg	Gew kg	Gewig in kilogram
Index	Ind	Ind	Indeks
Accuracy of breeding value	Acc	Akk	Akkuraatheid van teelwaarde
Birth direct (kg)	Birth Dir	Geb Dir	Geboorte direk (kg)
Birth maternal (kg)	Birth Mat	Geb Mat	Geboorte maternaal (kg)
Wean direct (kg)	Wean Dir	Speen Dir	Speen direk (kg)
Wean maternal (kg)	Wean Mat	Speen Mat	Speen maternaal (kg)
Mature weight (kg)	Mature Wgt	Volw Gew	Volwasse gewig (kg)
365 Days (kg)	365d	365d	365 Dae (kg)
540 Days (kg)	540d	540d	540 Dae (kg)
Average daily gain (g/day)	ADG	GDT	Gemiddelde daaglikse toename (g/dag)
Feed conversion ratio	FCR	VOV	Voeromsetverhouding
Scrotal circumference (mm)	SC	SO	Skrotum omvang (mm)
Age First Calving	AFC	OEK	Ouderdom Eerste Kalwing
Inter Calving Period	ICP	TKP	Tussen Kalf Periode
Height (mm)	Hgt	Hgt	Hoogte (mm)
Length (mm)	Lgt	Lgt	Lengte (mm)
Length : Height ratio	LHR	HLV	Lengte : Hoogte verhouding
Birth weight : Cow weight ratio	BWR	GGV	Geboortegewig : Koeigewig verhouding
Wean weight : Cow weight ratio	WWR	SGV	Speengewig : Koeigewig verhouding
Age in years and months / Number of calvings	Age / Calv	Oud / Kalw	Ouderdom in jare en maande / Aantal kalwings
Average Wean index / Number of calves	Ave WI / Calf	Gem SI / Kalf	Gemiddelde Speenindeks / Aantal kalwers
Reproduction index	R.I.	R.I.	Reproduksie Indeks
Polled	Polled	Poena	Poena
Post Wean 365 days & Post Wean 540 days	PW365 & PW540	NS365 & NS540	Naspeen 365 dae & Naspeen 540 dae
Growth test & Growth test group	GT & GTg	GT & GTg	Groei Toets & Groeitoets groep
Central test	CT	ST	Sentrale toets
Ouerskap Verifikasie	OV	PV	Parentage Verification
Genomies Getoets	GT	GT	Genomically Tested
Homosigoties Poena (Celtic Toets)	PP(c)	PP(c)	Homozygous Polled (Celtic Test)
Heterosigoties Poena (Celtic Toets)	Pp(c)	Pp(c)	Heterozygous Polled (Celtic Test)
Beide Ouers Geverifieer	PV	PV	Both Parents Verified
Sire Geverifieer	SV	SV	Sire Verified
Dam Geverifieer	DV	DV	Dam Verified

FEMALE ANIMALS



Lot	Seller	ID	PARENTS	Test	Breeding Value Indexes												Days Open	Breeder Own Remarks					
					SIRE GV PV	Genomic Tested	Birth Dir		Wean Dir		Birth Mat	Wean Mat	Mat Wgt	Post Wean		ADG			FCR	SC	Hgt	Lgt	LHR
							DNA	Acc	Acc	Acc	Acc	Acc	Acc	Acc	Acc	Acc			Acc	Acc	Acc	Acc	Acc
		Gen	DAM GV PV	Birth Date	Wgt kg	Wgt kg	Ind	kg	kg	kg	365d Ind	540d Ind	Ind	Ind	(mm)	(mm)	(mm)	WWR	Age	Calves			

Pregnant Cows


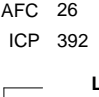
55 A	PAUL MARE BONSMARA STOET	LMR 140051 SP	LMR 070334	PW540	96	107	95	82	91	97	100	97	108	101	103	-	230	3 Maande dragtig van LMR 14-216
					1.50	16.4	0.02	-1.1	0.0	19.8	96	-41	16.0	3	17	-	6.1	
			LMR 100083	31.03.14	80	75	70	71	41	71	55	31	57	58	57	-	47	
55 B	PAUL MARE BONSMARA STOET	LMR 140253 SP	AG 100008	PW540	91	112	125	104	99	112	105	101	112	96	107	-	220	3 Maande dragtig van AG 09-751
					1.93	18.5	-1.32	5.0	8.0	29.9	117	-48	19.4	-1	23	-	6	
			LMR 110203	25.04.14	81	76	70	72	39	72	60	36	63	63	62	-	-	
56 A	PAUL MARE BONSMARA STOET	LMR 150253 SP	PER 100019	PW365	108	106	108	99	85	104	107	111	115	83	93	-	221	3 Maande dragtig van LMR 14-216
					0.14	15.9	-0.54	3.5	-7.0	24.2	128	-69	21.2	-12	4	-	4.7	
			LMR 130079	27.08.15	79	74	67	66	53	66	60	47	63	63	62	-	64.8	
56 B	PAUL MARE BONSMARA STOET	LMR 150047 SP	LMR 080188	PW540	104	95	93	98	116	104	100	97	98	97	107	-	220	3 Maande dragtig van AG 09-751
					0.57	10.9	0.14	3.3	27.0	24.8	95	-41	8.3	-1	24	-	5.1	
			LMR 070089	30.03.15	82	77	70	72	36	71	58	32	62	62	61	-	46.7	
56 C	PAUL MARE BONSMARA STOET	LMR 150261 SP	PER 100019	PW365	95	107	84	121	101	110	113	114	112	101	108	-	164	2 Maande dragtig van LMR 14-216
					1.59	16.3	0.56	9.5	11.0	28.4	156	-76	18.8	2	25	-	4.6	
			LMR 120355	04.10.15	79	72	65	65	51	64	58	48	61	62	61	-	50	
57 A	PAUL MARE BONSMARA STOET	LMR 120005 SP	LMR 080104	PW540	109	84	106	95	99	87	98	98	92	88	94	-	251	3 Maande dragtig van AG 09-751
			PH		0.03	6.0	-0.49	2.5	9.0	12.9	84	-42	3.4	-8	5	-	8.1	
			LMR 060121	12.03.12	83	78	75	78	50	73	55	34	58	59	58	-	42.1	

1.02	13.3	-0.19	3.8	10	21.7	95	-46	9.6	2	14
------	------	-------	-----	----	------	----	-----	-----	---	----



Lot 55A 3 Maande dragtig van LMR 14-216

<p>LMR 140051 SPN Mat. 82 AFC 37 ICP 432 RI 94 Age/Calv. 5/3 Avg. WI/Calf 95/2</p>	<p>LMR 070334 SPN Mat. 84</p> 	<p>NFS 040124 SPN Mat. 104 Silver</p>	<p>RCO 980053 SPN Mat. 83 NFS 960193 SPN Mat. 129 AG 970002 SPN Mat. 79 LMR 980001 SPN Mat. 103 AG 980338 SPN Mat. 87 AG 930063 SPN Mat. 100 AG 980159 SPN Mat. 74 LMR 940083 SPN Mat. 104</p>
<p>AFC 34 SPN Mat. 92 ICP 381 Age/Calv. 7/5 RI 107 Avg. WI/Calf 100/3</p>	<p>LMR 100083</p> 	<p>AG 030256 SPN Mat. 86</p>	<p>LMR 020126 SPN Mat. 87 Age/Calv. 10/8 Avg. WI/Calf 96/7</p>


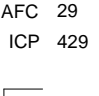
Lot 55B 3 Maande dragtig van AG 09-751

<p>LMR 140253 SPN Mat. 104 AFC 35 ICP 457 RI 95 Age/Calv. 5/3 Avg. WI/Calf 105/3</p>	<p>AG 100008 SPN Mat. 88</p> 	<p>AG 060481 SPN Mat. 90</p>	<p>LAR 010176 SPN Mat. 84 AG 970157 SPN Mat. 105 AG J 0008 SPN Mat. 88 AG 950012 SPN Mat. 120 LAR 020331 SPN Mat. 108 LAR 000334 SPN Mat. 82 LMR 030096 SPN Mat. 48 LMR 950097 SPN Mat. 105</p>
<p>AFC 37 SPN Mat. 104 ICP 433 Age/Calv. 9/6 RI 96 Avg. WI/Calf 105/5</p>	<p>LMR 110203</p> 	<p>AG 970106 SPN Mat. 104</p>	<p>LAR 040375 SPN Mat. 104</p>



Lot 56A 3 Maande dragtig van LMR 14-216

<p>LMR 150253 SPN Mat. 99 AFC 38 ICP 338 RI 97 Age/Calv. 4/2 Avg. WI/Calf 103/2</p>	<p>PER 100019 SPN Mat. 110 Bronze</p> 	<p>VV 040046 SPN Mat. 113</p>	<p>VV 010292 SPN Mat. 130 VV 000092 SPN Mat. 100 PER 030079 SPN Mat. 103 HDE 000172 SPN Mat. 114 AG 980338 SPN Mat. 87 AG 930063 SPN Mat. 100 AG 950059 SPN Mat. 102 AG 940034 SPN Mat. 68</p>
<p>AFC 29 SPN Mat. 89 ICP 579 Age/Calv. 4/2 RI 99 Avg. WI/Calf 97/1</p>	<p>LMR 130079</p> 	<p>PER 060138 SPN Mat. 86</p>	<p>AG 030256 SPN Mat. 86</p>


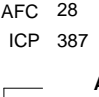
Lot 56B 3 Maande dragtig van AG 09-751

<p>LMR 150047 SPN Mat. 98 AFC 30 ICP 359 RI 113 Age/Calv. 4/3 Avg. WI/Calf 93/2</p>	<p>LMR 080188 SPN Mat. 95</p> 	<p>LAR 030052 SPN Mat. 93</p>	<p>AG 980338 SPN Mat. 87 LAR 000319 SPN Mat. 96 HDE 980132 SPN Mat. 75 LMR 990036 SPN Mat. 117 EI 990328 SPN Mat. 101 EI 970113 SPN Mat. 113 LMR 940078 SPN Mat. 107 DV 940185 SPN Mat. 111</p>
<p>AFC 29 SPN Mat. 114 ICP 414 Age/Calv. 13/10 RI 107 Avg. WI/Calf 105/8</p>	<p>LMR 070089</p> 	<p>LMR 030288 SPN Mat. 88</p>	<p>EI 020095 SPN Mat. 88</p>

Lot 56C 2 Maande dragtig van LMR 14-216

<p>LMR 150261 SPN Mat. 121 AFC 38 ICP 359 RI 95 Age/Calv. 4/2 Avg. WI/Calf 106/2</p>	<p>PER 100019 SPN Mat. 110 Bronze</p> 	<p>VV 040046 SPN Mat. 113</p>	<p>VV 010292 SPN Mat. 130 VV 000092 SPN Mat. 100 PER 030079 SPN Mat. 103 HDE 000172 SPN Mat. 114 DB 040010 SPN Mat. 118 HOT 040236 SPN Mat. 126 SAS 000115 SPN Mat. 74 SAS 000143 SPN Mat. 86</p>
<p>AFC 35 SPN Mat. 106 ICP Age/Calv. 3/1 RI 93 Avg. WI/Calf 101/1</p>	<p>LMR 120355</p> 	<p>PER 060138 SPN Mat. 119</p>	<p>HOT 070126 SPN Mat. 119 Gold</p>

Lot 57A 3 Maande dragtig van AG 09-751

<p>LMR 120005 SPN Mat. 95 AFC 37 ICP 399 RI 101 Age/Calv. 7/5 Avg. WI/Calf 93/5</p>	<p>LMR 080104 SPN Mat. 115</p> 	<p>LMR 020173 SPN Mat. 115 Gold</p>	<p>AG 970223 SPN Mat. 93 LMR 980195 SPN Mat. 125 AG 980033 SPN Mat. 67 LMR 960022 SPN Mat. 102 AG 950284 SPN Mat. 58 AG 920102 SPN Mat. 78 TLB J 0030 SPN Mat. 103 LMR 940019 SPN Mat. 112</p>
<p>AFC 31 SPN Mat. 82 ICP 447 Age/Calv. 10/7 RI 99 Avg. WI/Calf 95/6</p>	<p>LMR 060121</p> 	<p>LMR 020171 SPN Mat. 80</p>	<p>AG 990166 SPN Mat. 80</p>



VROULIKE DIERE

Lot	Verkoper	ID	OUERS	Toets	Teelwaarde indekse												Dae Oop	Gebruiker Eie Opmerkings			
					VADER GV OV	Genomies Getoets	Geb Dir	Speen Dir	Geb Mat	Speen Mat	Volw Gew	Naspeen		GDT	VOV	SO			Hgt	Lgt	LHV
												DNS	Akk								Akk
		Gen	MOEDER GV OV	Geb. dat.	Gew kg	Gew kg	Ind	kg	kg	kg	365d Ind	540d Ind	Ind	Ind	(mm)	(mm)	(mm)	SGV	Kalwers		



Dragtige Koeie

57 B	PAUL MARE BONSMARA STOET	LMR 120063	LMR 080104	NS540	99	94	96	95	91	102	107	103	87	89	94	-	207	3 Maande dragtig van AG 09-751
			PH		1.13	10.7	-0.01	2.5	0.0	22.8	126	-54	-0.9	-7	5	-	8.1	
			LMR 030109	06.04.12	40													
57 C	PAUL MARE BONSMARA STOET	LMR 120107	LMR 080104	NS540	93	98	82	93	97	99	102	98	83	96	99	-	226	4 Maande dragtig van AG 09-751
			PH		1.74	12.5	0.65	1.9	6.0	21.0	105	-43	-3.8	-2	12	-	8	
			LMR 020194	04.05.12	37													
58 A	PAUL MARE BONSMARA STOET	LMR 110055	AG 030046	NS540	108	102	70	111	96	102	108	107	102	108	108	-	230	4 Maande dragtig van LMR 16-124
					0.19	14.0	1.16	6.8	5.0	23.4	130	-62	11.3	8	25	-	9.1	
			LMR 050210	30.03.11	35													
58 B	PAUL MARE BONSMARA STOET	LMR 110069	LMR 060150	NS540	96	96	112	102	80	90	82	96	80	80	88	-	156	3 Maande dragtig van LMR 14-216
					1.47	11.5	-0.75	4.3	-12.0	14.7	13	-38	-6.5	-14	-3	-	9.1	
			LMR 050112	05.04.11	35													
58 C	PAUL MARE BONSMARA STOET	LMR 110073	LMR 020173	NS540	101	88	89	100	85	93	90	92	96	92	97	-	202	4 Maande dragtig van LMR 15-162
					0.87	7.8	0.30	3.8	-6.0	16.5	50	-30	6.4	-5	9	-	9.1	
			LMR 070093	07.04.11	37													
59 A	PAUL MARE BONSMARA STOET	LMR 100113	AG 020172	NS540	107	84	113	96	101	90	107	108	115	109	99	-	193	3 Maande dragtig van AG 09-751
					0.24	6.0	-0.79	2.9	10.0	15.1	128	-64	21.5	9	12	-	10.1	
			LMR 040155	22.03.10	37													



Lot 57B 3 Maande dragtig van AG 09-751

<p>LMR 120063 SPN Mat. 95 OEK 36 TKP 414 RI 100 Oud/Kalw. 7/5 Gem. Si/Kalf 98/5</p>		<p>LMR 080104 SPN Mat. 115</p>		<p>LMR 020173 SPN Mat. 115 Goud</p> <p>LMR 020171 OEK 28 SPN Mat. 114 TKP 387 Oud/Kalw. 11/9 Gem. Si/Kalf 108/9</p> <p>AG 950204 SPN Mat. 43</p> <p>LMR 960069 OEK 30 SPN Mat. 98 TKP 368 Oud/Kalw. 7/5 Gem. Si/Kalf 102/5</p>	<p>AG 970223 SPN Mat. 93 LMR 980195 SPN Mat. 125 AG 980033 SPN Mat. 67 LMR 960022 SPN Mat. 102 AG 930125 SPN Mat. 46 AG L 0032 SPN Mat. 76 TLB J 0030 SPN Mat. 103 LMR 900059 SPN Mat. 90</p>
--	---	---	---	--	---


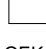
Lot 57C 4 Maande dragtig van AG 09-751

<p>LMR 120107 SPN Mat. 93 OEK 36 TKP 400 RI 102 Oud/Kalw. 7/5 Gem. Si/Kalf 97/4</p>		<p>LMR 080104 SPN Mat. 115</p>		<p>LMR 020173 SPN Mat. 115 Goud</p> <p>LMR 020171 OEK 28 SPN Mat. 114 TKP 387 Oud/Kalw. 11/9 Gem. Si/Kalf 108/9</p> <p>AG 950204 SPN Mat. 43</p> <p>LMR 020194 OEK 30 SPN Mat. 71 TKP 439 Oud/Kalw. 10/7 RI 102 Gem. Si/Kalf 97/7</p> <p>LMR 960041 OEK 36 SPN Mat. 128 TKP 385 Oud/Kalw. 12/10 Gem. Si/Kalf 112/9</p>	<p>AG 970223 SPN Mat. 93 LMR 980195 SPN Mat. 125 AG 980033 SPN Mat. 67 LMR 960022 SPN Mat. 102 AG 930125 SPN Mat. 46 AG L 0032 SPN Mat. 76 AG 920143 SPN Mat. 98 LMR 910031 SPN Mat. 111</p>
--	---	---	---	---	--



Lot 58A 4 Maande dragtig van LMR 16-124

<p>LMR 110055 SPN Mat. 111 OEK 36 TKP 397 RI 103 Oud/Kalw. 8/6 Gem. Si/Kalf 104/6</p>		<p>AG 030046 SPN Mat. 88</p>		<p>AG 980338 SPN Mat. 87</p> <p>AG 980123 OEK 26 SPN Mat. 105 TKP 461 Oud/Kalw. 15/11 Gem. Si/Kalf 107/10</p> <p>AG 000279 SPN Mat. 109</p> <p>LMR 020280 OEK 30 SPN Mat. 90 TKP 533 Oud/Kalw. 4/2 Gem. Si/Kalf 95/2</p>	<p>AG 930210 SPN Mat. 104 AG 920184 SPN Mat. 102 TBR 910704 SPN Mat. 77 AG 950323 SPN Mat. 90 AG 970329 SPN Mat. 105 AG 950046 SPN Mat. 117 AG 950204 SPN Mat. 43 LMR 940013 SPN Mat. 102</p>
--	---	---	---	--	---


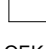
Lot 58B 3 Maande dragtig van LMR 14-216

<p>LMR 110069 SPN Mat. 102 OEK 36 TKP 415 RI 101 Oud/Kalw. 9/6 Gem. Si/Kalf 98/4</p>		<p>LMR 060150 SPN Mat. 92 Silver</p>		<p>AG 980159 SPN Mat. 74</p> <p>AG 010266 OEK 36 SPN Mat. 101 TKP 588 Oud/Kalw. 9/5 Gem. Si/Kalf 99/5</p> <p>AG 990017 SPN Mat. 99</p> <p>MCH 980012 OEK 32 SPN Mat. 117 TKP 388 Oud/Kalw. 14/12 Gem. Si/Kalf 103/12</p>	<p>AG 960085 SPN Mat. 93 AG 910189 SPN Mat. 83 AG 980338 SPN Mat. 87 AG 950102 SPN Mat. 98 RCO 940144 SPN Mat. 78 AG 910197 SPN Mat. 114 MBZ 940037 SPN Mat. 71 IVY N 0019 SPN Mat. 123</p>
---	---	---	---	--	---

Lot 58C 4 Maande dragtig van LMR 15-162

<p>LMR 110073 SPN Mat. 100 OEK 36 TKP 405 RI 102 Oud/Kalw. 9/6 Gem. Si/Kalf 98/6</p>		<p>LMR 020173 SPN Mat. 115 Goud</p>		<p>AG 970223 SPN Mat. 93</p> <p>LMR 980195 OEK 27 SPN Mat. 125 TKP 387 Oud/Kalw. 4/3 Gem. Si/Kalf 112/3</p> <p>AG 990166 SPN Mat. 80</p> <p>LMR 020195 OEK 31 SPN Mat. 107 TKP 378 Oud/Kalw. 5/3 Gem. Si/Kalf 103/3</p>	<p>AG 920046 SPN Mat. 123 AG 950001 SPN Mat. 118 LMR 940078 SPN Mat. 107 LMR 950043 SPN Mat. 120 AG 950284 SPN Mat. 58 AG 920102 SPN Mat. 78 AG 980159 SPN Mat. 74 LMR 950029 SPN Mat. 126</p>
---	---	--	---	---	--

Lot 59A 3 Maande dragtig van AG 09-751

<p>LMR 100113 SPN Mat. 96 OEK 36 TKP 402 RI 103 Oud/Kalw. 10/7 Gem. Si/Kalf 97/5</p>		<p>AG 020172 SPN Mat. 74</p>		<p>AG 980311 SPN Mat. 88</p> <p>AG 980128 OEK 24 SPN Mat. 106 TKP 404 Oud/Kalw. 14/12 Gem. Si/Kalf 101/12</p> <p>HWB 960136 SPN Mat. 100</p> <p>LMR 930034 OEK 30 SPN Mat. 127 TKP 386 Oud/Kalw. 11/9 Gem. Si/Kalf 102/9</p>	<p>AG 950059 SPN Mat. 102 AG 940185 SPN Mat. 96 TBR 910704 SPN Mat. 77 AG 930209 SPN Mat. 127 AG C 0016 SPN Mat. 51 HWB 920009 SPN Mat. 113 BD N 0097 SPN Mat. 143 LMR 0006 SPN Mat. 83</p>
---	---	---	---	--	---

FEMALE ANIMALS


Lot	Seller	ID POLLED Gen	PARENTS		Test Genomic Tested DNA Birth Date	Breeding Value Indexes										Days Open	Breeder Own Remarks			
			SIRE GV PV	DAM GV PV		DIRECT CALF TRAITS		DAUGHTER TRAITS			GROWTH		EFF.	REP	MEASURE-MENTS			R:		
						Progeny Birth Weight	Progeny Wean Weight	Ease of Calving	Milk prod.	Mature Weight	Post Wean Weight	Daily Gain	Feed Conv						Height & Length	
Birth Dir	Wean Dir	Birth Mat	Wean Mat	Mat Wgt	Post Wean	ADG	FCR	SC	Hgt	Lgt	LHR	BWR	WWR	Age						
Acc	Acc	Acc	Acc	Acc	Acc	Acc	Acc	Acc	Acc	Acc	Acc	Acc	Acc	Acc	Calves					
Wgt kg	Wgt kg	Ind	kg	kg	kg	365d Ind	540d Ind	Ind	Ind	(mm)	(mm)	(mm)								

Pregnant Cows


59 B	PAUL MARE BONSMARA STOET	LMR 130191 SP	AG 100008	PW540	99	118	107	69	109	123	117	101	123	108	117	-	207	3 Maande dragtig van LMR 16-124
					1.14	21.4	-0.50	-4.6	20.0	37.5	175	-48	28.2	8	38	-	6.6	
			LMR 090339	20.09.13	83	77	75	75	39	72	66	35	70	71	70	-	42.1	
59 C	PAUL MARE BONSMARA STOET	LMR 080277 SP	LAR 040375	PW365	84	107	99	106	106	108	102	98	108	90	108	-	120	2 Maande dragtig van ABM 16-106
					2.77	16.6	-0.17	5.6	16.0	27.2	103	-42	15.8	-6	25	-	11.7	
			LMR 060040	15.08.08	87	83	83	85	48	72	68	46	73	74	72	-	9	
60 A	PAUL MARE BONSMARA STOET	LMR 150045 SP	AG 100008	PW540	109	97	109	100	100	102	104	103	102	95	103	-	244	3 Maande dragtig van AG 09-751
					0.10	11.8	-0.62	3.9	10.0	22.8	114	-52	10.9	-2	17	-	5.1	
			LMR 110049	30.03.15	80	75	68	68	43	70	57	40	58	58	58	-	46.4	
60 B	PAUL MARE BONSMARA STOET	LMR 150087 SP	AG 100008	PW540	103	109	118	92	97	111	113	107	119	103	112	-	230	3 Maande dragtig van LMR 14-216
					0.69	17.1	-1.00	1.7	6.0	29.5	156	-62	24.7	4	31	-	5	
			LMR 110063	22.04.15	81	75	71	68	44	70	59	41	61	61	60	-	37.8	
60 C	PAUL MARE BONSMARA STOET	LMR 150003 SP	AG 080158	PW540	107	106	119	93	97	104	100	98	104	96	103	-	208	3 Maande dragtig van AG 09-751
					0.22	15.9	-1.06	1.8	7.0	24.6	97	-42	13.1	-1	17	-	5.1	
			LMR 090309	13.03.15	80	75	67	66	41	69	57	27	61	62	60	-	35.6	
61 A	PAUL MARE BONSMARA STOET	LMR 120075 SP	LMR 080188	PW540	94	100	101	108	111	101	99	94	96	104	111	-	767	3 Maande dragtig van LMR 14-216
					1.68	13.2	-0.24	6.1	21.0	22.1	90	-34	6.4	5	30	-	8.1	
			LMR 050222	07.04.12	82	79	74	78	46	72	66	35	71	72	70	-	50.1	

1.02	13.3	-0.19	3.8	10	21.7	95	-46	9.6	2	14
------	------	-------	-----	----	------	----	-----	-----	---	----


Lot 59B 3 Maande dragtig van LMR 16-124

<p>LMR 130191 SPN Mat. 69 AFC 37 ICP 364 RI 104 Age/Calv. 6/4 Avg. WI/Calf 94/5</p>	<p>AG 100008 SPN Mat. 88</p>  <p>LMR 090339 SPN Mat. 71 Age/Calv. 10/8 Avg. WI/Calf 99/8</p>	<p>AG 060481 SPN Mat. 90</p> <p>AG 970106 AFC 26 SPN Mat. 80 ICP 392 Age/Calv. 15/13 Avg. WI/Calf 95/12</p> <p>LAR 050179 SPN Mat. 91</p> <p>JBR 030082 AFC 28 SPN Mat. 66 ICP 396 Age/Calv. 8/6 Avg. WI/Calf 88/5</p>	<p>LAR 010176 SPN Mat. 84 AG 970157 SPN Mat. 105 AG J 0008 SPN Mat. 88 AG 950012 SPN Mat. 120 LAR 010297 SPN Mat. 71 LAR 950050 SPN Mat. 153 RGR 990167 SPN Mat. 104 JBR 010024 SPN Mat. 81</p>
--	---	--	---


Lot 59C 2 Maande dragtig van ABM 16-106

<p>Elite-Gold LMR 080277 SPN Mat. 106 AFC 37 ICP 377 RI 107 Age/Calv. 11/9 Avg. WI/Calf 101/7</p>	<p>LAR 040375 SPN Mat. 104</p>  <p>LMR 060040 SPN Mat. 96 Age/Calv. 8/6 Avg. WI/Calf 101/6</p>	<p>LAR 020331 SPN Mat. 108</p> <p>LAR 000334 AFC 33 SPN Mat. 82 ICP 480 Age/Calv. 9/4 Avg. WI/Calf 98/3</p> <p>LAR 990350 SPN Mat. 59</p> <p>LMR 940076 AFC 28 SPN Mat. 118 ICP 406 Age/Calv. 12/10 Avg. WI/Calf 114/9</p>	<p>LAR 990144 SPN Mat. 113 LAR 960236 SPN Mat. 133 LAR 980272 SPN Mat. 57 LAR 920012 SPN Mat. 97 VV 960318 SPN Mat. 76 LAR 950169 SPN Mat. 88 NFS K 0088 SPN Mat. 77 MMJ J 0040 SPN Mat. 107</p>
---	---	--	--


Lot 60A 3 Maande dragtig van AG 09-751

<p>LMR 150045 SPN Mat. 100 AFC 30 ICP 357 RI 114 Age/Calv. 4/3 Avg. WI/Calf 102/2</p>	<p>AG 100008 SPN Mat. 88</p>  <p>LMR 110049 SPN Mat. 112 Age/Calv. 8/6 Avg. WI/Calf 100/6</p>	<p>AG 060481 SPN Mat. 90</p> <p>AG 970106 AFC 26 SPN Mat. 80 ICP 392 Age/Calv. 15/13 Avg. WI/Calf 95/12</p> <p>LAR 040172 SPN Mat. 116</p> <p>LMR 010196 AFC 32 SPN Mat. 113 ICP 417 Age/Calv. 18/14 Avg. WI/Calf 96/14</p>	<p>LAR 010176 SPN Mat. 84 AG 970157 SPN Mat. 105 AG J 0008 SPN Mat. 88 AG 950012 SPN Mat. 120 LAR 000084 SPN Mat. 102 LAR 970251 SPN Mat. 111 AG 920143 SPN Mat. 98 LMR 920009 SPN Mat. 127</p>
--	--	---	---


Lot 60B 3 Maande dragtig van LMR 14-216

<p>LMR 150087 SPN Mat. 92 AFC 30 ICP 347 RI 114 Age/Calv. 4/3 Avg. WI/Calf 101/2</p>	<p>AG 100008 SPN Mat. 88</p>  <p>Elite-Silver LMR 110063 SPN Mat. 105 Age/Calv. 9/7 Avg. WI/Calf 99/7</p>	<p>AG 060481 SPN Mat. 90</p> <p>AG 970106 AFC 26 SPN Mat. 80 ICP 392 Age/Calv. 15/13 Avg. WI/Calf 95/12</p> <p>VV 030346 SPN Mat. 115</p> <p>LMR 030218 AFC 30 SPN Mat. 92 ICP 398 Age/Calv. 11/9 Avg. WI/Calf 98/7</p>	<p>LAR 010176 SPN Mat. 84 AG 970157 SPN Mat. 105 AG J 0008 SPN Mat. 88 AG 950012 SPN Mat. 120 VV 000318 SPN Mat. 87 VV 970265 SPN Mat. 136 AG 970002 SPN Mat. 79 LMR 000073 SPN Mat. 124</p>
---	---	---	--

Lot 60C 3 Maande dragtig van AG 09-751

<p>LMR 150003 SPN Mat. 93 AFC 38 ICP 510 RI 84 Age/Calv. 5/2 Avg. WI/Calf 109/2</p>	<p>AG 080158 SPN Mat. 115</p>  <p>LMR 090309 SPN Mat. 59 Age/Calv. 10/7 Avg. WI/Calf 93/5</p>	<p>EI 940339 SPN Mat. 117</p> <p>AG 060016 AFC 31 SPN Mat. 84 ICP 375 Age/Calv. 9/7 Avg. WI/Calf 102/5</p> <p>GCD 020109 SPN Mat. 76</p> <p>LMR 030257 AFC 30 SPN Mat. 61 ICP 408 Age/Calv. 8/6 Avg. WI/Calf 95/6</p>	<p>EI 920079 SPN Mat. 129 EI 920048 SPN Mat. 105 LAR 010176 SPN Mat. 84 AG 020194 SPN Mat. 75 AG 960059 SPN Mat. 110 GCD 970073 SPN Mat. 78 AEJ 970082 SPN Mat. 80 LMR 990148 SPN Mat. 79</p>
--	--	---	---

Lot 61A 3 Maande dragtig van LMR 14-216

<p>LMR 120075 SPN Mat. 108 AFC 35 ICP 368 RI 106 Age/Calv. 6/4 Avg. WI/Calf 104/4</p>	<p>LMR 080188 SPN Mat. 95</p>  <p>LMR 050222 SPN Mat. 99 Age/Calv. 12/9 Avg. WI/Calf 100/9</p>	<p>LAR 030052 SPN Mat. 93</p> <p>LMR 030288 AFC 29 SPN Mat. 86 ICP 429 Age/Calv. 6/4 Avg. WI/Calf 100/4</p> <p>AG 980159 SPN Mat. 74</p> <p>LMR 020231 AFC 32 SPN Mat. 134 ICP 444 Age/Calv. 11/8 Avg. WI/Calf 110/8</p>	<p>AG 980338 SPN Mat. 87 LAR 000319 SPN Mat. 96 HDE 980132 SPN Mat. 75 LMR 990036 SPN Mat. 117 AG 960085 SPN Mat. 93 AG 910189 SPN Mat. 83 LMR 940111 SPN Mat. 128 LMR 000010 SPN Mat. 128</p>
--	---	--	--


VROULIKE DIERE

Lot	Verkoper	ID	OUERS	Toets	Teelwaarde indekse												Dae Oop	Gebruiker Eie Opmerkings					
					VADER GV OV	Genomies Getoets	Geb Dir		Speen Dir		Geb Mat	Speen Mat	Volwas Gew	Naspeen		GDT			VOV	SO	Hgt	Lgt	LHV
							Akk	Akk	Akk	Akk	Akk	365d Ind	540d Ind	Ind	Ind	(mm)			(mm)	(mm)	GGV		
POENA	MOEDER GV OV	DNS	Akk	Akk	Akk	Akk	Akk	Akk	Akk	Akk	Akk	Akk	Akk	Akk	Akk	Akk	Akk	SGV	Oud				
Gen		Geb. dat.	Gew kg	Gew kg	Ind	kg	kg	kg											Kalwers				


Dragtige Koeie

61 B	PAUL MARE BONSMARA STOET	LMR 120109 SP	HJS 070400	NS540	73	123	90	132	123	130	121	116	98	114	118	-	220	4 Maande dragtig van FUZ 15-019
					3.93	23.6	0.27	12.5	35.0	42.3	192	-81	8.1	13	38	-	8	
			LMR 050008	06.05.12	44													
61 C	PAUL MARE BONSMARA STOET	LMR 120033 SP	LMR 060150	NS540	103	83	126	78	80	76	82	103	86	77	79	-	202	4 Maande dragtig van LMR 16-124
					0.74	5.8	-1.38	-2.3	-12.0	5.0	14	-53	-1.4	-17	-16	-	8.1	
			LMR 070313	28.03.12	34													
62 A	PAUL MARE BONSMARA STOET	LMR 150147 SP	LMR 090334	NS365	114	91	89	104	107	96	98	96	98	91	96	-	230	4 Maande dragtig van AG 09-751
					-0.48	9.4	0.31	5.0	17.0	19.0	86	-37	8.3	-6	9	-	4.7	
			LMR 060207	04.09.15	32													
62 B	PAUL MARE BONSMARA STOET	LMR 150097 SP	LMR 090334	NS540	101	98	115	91	100	89	99	97	98	92	98	-	228	3 Maande dragtig van LMR 14-216
					0.95	12.6	-0.90	1.4	9.0	13.9	89	-40	7.7	-5	11	-	5	
			LMR 090063	26.04.15	34													
62 C	PAUL MARE BONSMARA STOET	LMR 150099 SP	LMR 090334	NS540	115	86	110	84	95	83	93	93	87	95	95	-	233	4 Maande dragtig van LMR 14-216
					-0.54	7.1	-0.63	-0.5	4.0	10.2	64	-31	-0.3	-3	6	-	5	
			LMR 050269	01.05.15	31													
63 A	PAUL MARE BONSMARA STOET	LMR 140063 SP	LMR 070334	NS540	102	109	95	82	101	98	90	96	92	87	98	-	223	4 Maande dragtig van LMR 16-124
					0.83	17.5	0.05	-1.0	11.0	20.5	51	-39	3.5	-9	10	-	6.1	
			LMR 100077	11.04.14	35													


Lot 61B 4 Maande dragtig van FUZ 15-019

<p>LMR 120109 SPN Mat. 132 OEK 37 TKP 392 RI 102 Oud/Kalw. 7/5 Gem. Si/Kalf 107/4</p>	<p>HJS 070400 SPN Mat. 109</p>  <p>LMR 050008 Elite-Brons</p>	<p>RCO 980037 SPN Mat. 67</p> <p>HJS 000153 Elite-Goud</p> <p>OEK 39 SPN Mat. 110 TKP 366 Oud/Kalw. 15/13 Gem. Si/Kalf 99/12</p> <p>LAR 990144 SPN Mat. 113</p> <p>LMR 010275 SPN Mat. 120 Oud/Kalw. 4/3 Gem. Si/Kalf 110/3</p>	<p>TBR 910704 SPN Mat. 77</p> <p>RCO 950238 SPN Mat. 66</p> <p>HJS 920041 SPN Mat. 90</p> <p>HJS 920159 SPN Mat. 105</p> <p>VV 960318 SPN Mat. 76</p> <p>LAR 950050 SPN Mat. 153</p> <p>LMR 940078 SPN Mat. 107</p> <p>LMR 980187 SPN Mat. 106</p>
--	--	---	--


Lot 61C 4 Maande dragtig van LMR 16-124

<p>LMR 120033 SPN Mat. 78 OEK 38 TKP 399 RI 100 Oud/Kalw. 8/5 Gem. Si/Kalf 96/5</p>	<p>LMR 060150 SPN Mat. 92 Silver</p>  <p>LMR 070313</p>	<p>AG 980159 SPN Mat. 74</p> <p>AG 010266 SPN Mat. 101 Oud/Kalw. 9/5 Gem. Si/Kalf 99/5</p> <p>AG 020193 SPN Mat. 110</p> <p>LMR 030257 SPN Mat. 61 Oud/Kalw. 8/6 Gem. Si/Kalf 95/6</p>	<p>AG 960085 SPN Mat. 93</p> <p>AG 910189 SPN Mat. 83</p> <p>AG 980338 SPN Mat. 87</p> <p>AG 950102 SPN Mat. 98</p> <p>AG 980338 SPN Mat. 87</p> <p>AG 950001 SPN Mat. 118</p> <p>AEJ 970082 SPN Mat. 80</p> <p>LMR 990148 SPN Mat. 79</p>
--	--	--	--


Lot 62A 4 Maande dragtig van AG 09-751

<p>LMR 150147 SPN Mat. 104 OEK 37 TKP 353 RI 98 Oud/Kalw. 4/2 Gem. Si/Kalf 102/2</p>	<p>LMR 090334 SPN Mat. 91</p>  <p>LMR 060207</p>	<p>NFS 040124 SPN Mat. 104 Silver</p> <p>LMR 030249 SPN Mat. 94 Oud/Kalw. 7/5 Gem. Si/Kalf 100/4</p> <p>LMR 020067 SPN Mat. 107 Goud</p> <p>LMR 030010 SPN Mat. 121 Oud/Kalw. 13/10 Gem. Si/Kalf 104/9</p>	<p>RCO 980053 SPN Mat. 83</p> <p>NFS 960193 SPN Mat. 129</p> <p>AG 990166 SPN Mat. 80</p> <p>LMR 010206 SPN Mat. 111</p> <p>LMR 940078 SPN Mat. 107</p> <p>LMR 960068 SPN Mat. 132</p> <p>AG 990017 SPN Mat. 99</p> <p>LMR 960046 SPN Mat. 122</p>
---	---	--	--


Lot 62B 3 Maande dragtig van LMR 14-216

<p>LMR 150097 SPN Mat. 91 OEK 36 TKP 498 RI 89 Oud/Kalw. 4/2 Gem. Si/Kalf 105/2</p>	<p>LMR 090334 SPN Mat. 91</p>  <p>LMR 090063</p>	<p>NFS 040124 SPN Mat. 104 Silver</p> <p>LMR 030249 SPN Mat. 94 Oud/Kalw. 7/5 Gem. Si/Kalf 100/4</p> <p>AG 010258 SPN Mat. 95</p> <p>LMR 040341 SPN Mat. 83 Oud/Kalw. 8/4 Gem. Si/Kalf 95/2</p>	<p>RCO 980053 SPN Mat. 83</p> <p>NFS 960193 SPN Mat. 129</p> <p>AG 990166 SPN Mat. 80</p> <p>LMR 010206 SPN Mat. 111</p> <p>AG 980338 SPN Mat. 87</p> <p>AG 950251 SPN Mat. 109</p> <p>PHR 000069 SPN Mat. 57</p> <p>LMR 990036 SPN Mat. 117</p>
--	---	---	--

Lot 62C 4 Maande dragtig van LMR 14-216

<p>LMR 150099 SPN Mat. 84 OEK 29 TKP 360 RI 115 Oud/Kalw. 4/3 Gem. Si/Kalf 91/3</p>	<p>LMR 090334 SPN Mat. 91</p>  <p>LMR 050269</p>	<p>NFS 040124 SPN Mat. 104 Silver</p> <p>LMR 030249 SPN Mat. 94 Oud/Kalw. 7/5 Gem. Si/Kalf 100/4</p> <p>AG 010258 SPN Mat. 95</p> <p>LMR 920036 SPN Mat. 100 Oud/Kalw. 13/9 Gem. Si/Kalf 95/8</p>	<p>RCO 980053 SPN Mat. 83</p> <p>NFS 960193 SPN Mat. 129</p> <p>AG 990166 SPN Mat. 80</p> <p>LMR 010206 SPN Mat. 111</p> <p>AG 980338 SPN Mat. 87</p> <p>AG 950251 SPN Mat. 109</p> <p>AEJ K 0036 SPN Mat. 115</p> <p>LMR K 0100 SPN Mat. 95</p>
--	---	---	--

Lot 63A 4 Maande dragtig van LMR 16-124

<p>LMR 140063 SPN Mat. 82 OEK 36 TKP 440 RI 94 Oud/Kalw. 5/3 Gem. Si/Kalf 100/3</p>	<p>LMR 070334 SPN Mat. 84</p>  <p>LMR 100077</p>	<p>NFS 040124 SPN Mat. 104 Silver</p> <p>LMR 040003 SPN Mat. 86 Oud/Kalw. 6/5 Gem. Si/Kalf 102/2</p> <p>AG 030256 SPN Mat. 86</p> <p>LMR 960053 SPN Mat. 127 Oud/Kalw. 14/12 Gem. Si/Kalf 105/11</p>	<p>RCO 980053 SPN Mat. 83</p> <p>NFS 960193 SPN Mat. 129</p> <p>AG 970002 SPN Mat. 79</p> <p>LMR 980001 SPN Mat. 103</p> <p>AG 980338 SPN Mat. 87</p> <p>AG 930063 SPN Mat. 100</p> <p>TLB J 0030 SPN Mat. 103</p> <p>LMR 920039 SPN Mat. 128</p>
--	---	--	---


FEMALE ANIMALS

Lot	Seller	ID	PARENTS	Test	Breeding Value Indexes												Days Open	Breeder Own Remarks					
					SIRE GV PV	Genomic Tested	Birth Dir		Wean Dir		Birth Mat	Wean Mat	Mat Wgt	Post Wean		ADG			FCR	SC	Hgt	Lgt	LHR
							DNA	Acc	Acc	Acc	Acc	Acc	Acc	Acc	Acc	Acc			Acc	Acc	Acc	Acc	Acc
		Gen	DAM GV PV	Birth Date	Wgt kg	Wgt kg	Ind	kg	kg	kg	365d Ind	540d Ind	Ind	Ind	(mm)	(mm)	(mm)	WWR	Age	Calves			


Pregnant Cows

63 B	PAUL MARE BONSMARA STOET	LMR 140077 SP	HJS 070400	PW540	83	107	97	96	101	108	114	111	92	103	108	-	259	3 Maande dragtig van FUZ 15-019
					2.81	16.4	-0.04	2.7	11.0	27.4	161	-71	3.6	4	25	-	6.1	
			AEJ 080067	04.04.14	41													
64 A	PAUL MARE BONSMARA STOET	AEJ 090223 SP	VV 040251	PW540	95	112	98	105	89	109	103	98	94	111	111	-	141	2 Maande dragtig van ABM 16-106
					1.55	18.9	-0.12	5.1	-2.0	27.8	111	-43	4.9	11	30	11	10.5	
			AEJ 070155	26.10.09	33													
64 B	PAUL MARE BONSMARA STOET	HDE 070184 SP	FCT 010168	PW540	124	76	107	99	103	79	90	92	90	92	90	-	173	2 Maande dragtig van ABM 16-106
					-1.49	2.4	-0.51	3.5	13.0	7.3	52	-29	2.1	-5	-1	6.4	12.5	
			HDE 000214	14.10.07	34													
65 A	PAUL MARE BONSMARA STOET	LMR 130105 SP	AG 080158	PW540	99	94	77	101	93	92	94	101	98	97	100	-	216	3 Maande dragtig van AG 09-751
					1.13	10.4	0.88	4.0	2.0	16.2	68	-48	8.1	-1	13	-	7	
			LMR 070105	17.04.13	34													
65 B	PAUL MARE BONSMARA STOET	LMR 130133 SP	LMR 090026	PW540	110	82	87	79	94	88	96	102	101	98	92	-	214	3 Maande dragtig van AG 09-751
					-0.02	5.1	0.41	-2.0	3.0	13.3	76	-50	10.4	0	2	-	7	
			LMR 040120	28.04.13	33													
65 C	PAUL MARE BONSMARA STOET	LMR 130261 SP	LMR 090224	PW540	94	107	70	97	121	108	93	95	97	106	113	-	243	4 Maande dragtig van LMR 15-162
					1.61	16.4	1.20	2.9	33.0	27.2	65	-35	7.4	6	32	-	6.6	
			LMR 100307	10.09.13	36													


Lot 63B 3 Maande dragtig van FUZ 15-019

<p>LMR 140077 SPN Mat. 96 AFC 35 ICP 447 RI 96 Age/Calv. 5/3 Avg. WI/Calf 95/3</p>	<p>HJS 070400 SPN Mat. 109</p> 	<p>RCO 980037 SPN Mat. 67</p> <p>Elite-Gold</p> <p>HJS 000153 AFC 39 SPN Mat. 110 ICP 366 Age/Calv. 15/13 Avg. WI/Calf 99/12</p> <p>AEJ 040147 SPN Mat. 105</p> <p>AEJ 050104 AFC 32 SPN Mat. 88 ICP 390 Age/Calv. 9/7 Avg. WI/Calf 92/7</p>	<p>TBR 910704 SPN Mat. 77 RCO 950238 SPN Mat. 66 HJS 920041 SPN Mat. 90 HJS 920159 SPN Mat. 105 RAI 990054 SPN Mat. 105 AEJ 010156 SPN Mat. 103 KHR 000012 SPN Mat. 120 AEJ 020040 SPN Mat. 79</p>


Lot 64A 2 Maande dragtig van ABM 16-106

<p>Elite-Gold</p> <p>AEJ 090223 SPN Mat. 105 AFC 36 ICP 372 RI 109 Age/Calv. 10/8 Avg. WI/Calf 102/7</p>	<p>VV 040251 SPN Mat. 110</p> 	<p>VV 020021 SPN Mat. 95</p> <p>VV 020068 AFC 29 SPN Mat. 83 ICP 370 Age/Calv. 7/6 Avg. WI/Calf 96/6</p> <p>JJF 000131 SPN Mat. 88</p> <p>Elite-Gold</p> <p>AEJ 030013 AFC 29 SPN Mat. 113 ICP 365 Age/Calv. 12/11 Avg. WI/Calf 107/10</p>	<p>VV 970277 SPN Mat. 107 VV 990334 SPN Mat. 107 VV 990017 SPN Mat. 92 VV 980074 SPN Mat. 92 VV 940238 P SPN Mat. 84 JJF 940039 SPN Mat. 70 AEJ 970106 SPN Mat. 68 AEJ 000013 SPN Mat. 151</p>


Lot 64B 2 Maande dragtig van ABM 16-106

<p>HDE 070184 SPN Mat. 99 AFC 30 ICP 387 RI 110 Age/Calv. 12/10 Avg. WI/Calf 98/10</p>	<p>FCT 010168 SPN Mat. 81</p> 	<p>BEI 950156 SPN Mat. 74</p> <p>FCT 990020 AFC 31 SPN Mat. 108 ICP 367 Age/Calv. 13/11 Avg. WI/Calf 109/11</p> <p>HDE 960123 SPN Mat. 89</p> <p>HDE 940190 AFC 30 SPN Mat. 110 ICP 443 Age/Calv. 9/6 Avg. WI/Calf 103/5</p>	<p>TBR 910704 SPN Mat. 77 BEI 920023 SPN Mat. 107 EI 920079 SPN Mat. 129 RE 940101 SPN Mat. 93 V 920069 SPN Mat. 97 PJ D 0222 SPN Mat. 103 HDE 910131 SPN Mat. 100 HDE H 0008 SPN Mat. 97</p>


Lot 65A 3 Maande dragtig van AG 09-751

<p>LMR 130105 SPN Mat. 101 AFC 37 ICP 412 RI 98 Age/Calv. 6/4 Avg. WI/Calf 95/3</p>	<p>AG 080158 SPN Mat. 115</p> 	<p>EI 940339 SPN Mat. 117</p> <p>AG 060016 AFC 31 SPN Mat. 84 ICP 375 Age/Calv. 9/7 Avg. WI/Calf 102/5</p> <p>LMR 020148 SPN Mat. 123 Bronze</p> <p>LMR 980030 AFC 36 SPN Mat. 66 ICP 422 Age/Calv. 10/7 Avg. WI/Calf 93/7</p>	<p>EI 920079 SPN Mat. 129 EI 920048 SPN Mat. 105 LAR 010176 SPN Mat. 84 AG 020194 SPN Mat. 75 LMR 990165 SPN Mat. 109 LMR 960116 SPN Mat. 114 AG 920143 SPN Mat. 98 LMR 940033 SPN Mat. 76</p>

Lot 65B 3 Maande dragtig van AG 09-751

<p>LMR 130133 SPN Mat. 79 AFC 39 ICP 390 RI 98 Age/Calv. 6/4 Avg. WI/Calf 93/4</p>	<p>LMR 090026 SPN Mat. 96</p> 	<p>AG 010258 SPN Mat. 95</p> <p>LMR 020187 AFC 31 SPN Mat. 95 ICP 371 Age/Calv. 12/10 Avg. WI/Calf 97/9</p> <p>LMR 990169 SPN Mat. 67 Silver</p> <p>LMR 960002 AFC 29 SPN Mat. 73 ICP 400 Age/Calv. 9/7 Avg. WI/Calf 95/6</p>	<p>AG 980338 SPN Mat. 87 AG 950251 SPN Mat. 109 HDE 980132 SPN Mat. 75 LMR 980145 SPN Mat. 118 AG 950204 SPN Mat. 43 LMR 960130 SPN Mat. 116 AG 920098 SPN Mat. 80 LMR 920036 SPN Mat. 100</p>

Lot 65C 4 Maande dragtig van LMR 15-162

<p>LMR 130261 SPN Mat. 97 AFC 35 ICP 371 RI 106 Age/Calv. 6/4 Avg. WI/Calf 103/2</p>	<p>LMR 090224 SPN Mat. 52</p> 	<p>LMR 060156 SPN Mat. 69 Gold</p> <p>LMR 060231 AFC 33 SPN Mat. 72 ICP 509 Age/Calv. 4/2 Avg. WI/Calf 107/2</p> <p>LMR 020173 SPN Mat. 115 Gold</p> <p>LMR 050272 AFC 32 SPN Mat. 116 ICP 456 Age/Calv. 9/6 Avg. WI/Calf 104/6</p>	<p>LMR 990169 SPN Mat. 67 LMR 010270 SPN Mat. 102 LMR 040196 SPN Mat. 91 LMR 040052 SPN Mat. 67 AG 970223 SPN Mat. 93 LMR 980195 SPN Mat. 125 LAR 020013 SPN Mat. 102 JBR 010031 SPN Mat. 111</p>


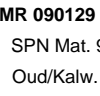
VROULIKE DIERE

Lot	Verkoper	ID	OUERS	Toets	Teelwaarde indekse											Dae Oop	Gebruiker Eie Opmerkings	
					DIREKTE KALF EIENSKAPPE		DOGTER EIENSKAPPE			GROEI		DOEL	REP	MATES				V:
		VADER GV OV		Genomies Getoets	Geb Dir	Speen Dir	Geb Mat	Speen Mat	Volwas- Gew	Naspeen	GDT	VOV	SO	Hgt	Lgt	LHV	Oud	
		MOEDER GV OV		DNS	Akk	Akk	Akk	Akk	Akk	Akk	Akk	Akk	Akk	Akk	Akk	GGV		Kalwers
		Gen		Geb. dat.	Gew kg	Gew kg	Ind	kg	kg	kg	365d Ind	540d Ind	Ind	Ind	(mm)	(mm)		


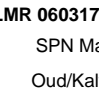
Dragtige Koeie

66 A	PAUL MARE BONSMARA STOET	LMR 120207 SP	LMR 070280	NS540	88	89	94	112	93	90	95	97	101	94	91	-	244	3 Maande dragtig van LMR 16-124
					2.29	8.3	0.07	7.1	2.0	14.8	71	-40	10.7	-4	1	-	8.1	
			LMR 090129	11.03.12	82	77	73	76	48	70	62	32	67	68	66	-	47	
66 B	PAUL MARE BONSMARA STOET	LMR 120175 SP	LMR 080332	NS540	103	103	92	77	112	106	110	104	111	98	105	-	194	3 Maande dragtig van LMR 15-162
					0.65	14.8	0.17	-2.4	23.0	25.7	142	-54	18.7	0	21	-	7.6	
			LMR 060317	07.09.12	83	78	75	75	28	72	56	33	61	62	60	-	-	
66 C	PAUL MARE BONSMARA STOET	LMR 120147 SP	JL 070050	NS540	74	102	84	138	104	106	104	103	94	105	109	-	194	4 Maande dragtig van LMR 16-124
					3.74	14.4	0.56	14.2	13.0	25.5	114	-52	4.8	6	27	-	8	
			LMR 050142	14.05.12	83	79	76	78	55	72	63	35	68	69	67	-	28.8	
67 A	PAUL MARE BONSMARA STOET	LMR 100209 SP	LMR 060150	NS540	98	84	100	80	73	76	68	88	94	85	80	-	170	3 Maande dragtig van LMR 14-216
					1.20	6.0	-0.18	-1.8	-20.0	5.0	-52	-20	4.9	-11	-15	-	10.2	
			LTS 070090	02.03.10	85	81	82	84	52	72	62	41	67	67	66	-	-	
67 B	PAUL MARE BONSMARA STOET	LMR 100061 SP	GCD 020109	NS540	75	109	72	100	104	109	98	91	109	108	110	-	243	3 Maande dragtig van LMR 15-162
					3.63	17.1	1.07	3.7	13.0	28.2	87	-27	16.6	8	27	-	10.1	
			LMR 030059	23.03.10	85	73	79	80	46	65	65	39	70	71	69	-	-	
67 C	PAUL MARE BONSMARA STOET	LMR 100191 SP	LMR 020173	NS365	95	107	109	107	122	106	112	104	102	105	111	-	227	4 Maande dragtig van LMR 15-162
					1.59	16.2	-0.58	5.9	33.0	25.7	152	-55	11.4	6	30	-	9.6	
			LMR 050086	08.09.10	85	80	81	83	45	70	63	43	67	68	67	-	-	


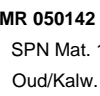
Lot 66A 3 Maande dragtig van LMR 16-124

<p>LMR 120207 SPN Mat. 112 OEK 38 TKP 396 RI 101 Oud/Kalw. 7/5 Gem. Si/Kalf 98/5</p>		<p>LMR 070280 SPN Mat. 120</p>		<p>LMR 020148 SPN Mat. 123 Brons</p> <p>LMR 000162 OEK 34 SPN Mat. 95 TKP 402 Oud/Kalw. 9/7 Gem. Si/Kalf 105/6</p> <p>AG 030046 SPN Mat. 88</p> <p>LMR 980162 OEK 34 SPN Mat. 99 TKP 379 Oud/Kalw. 14/12 Gem. Si/Kalf 99/12</p>	<p>LMR 990165 SPN Mat. 109</p> <p>LMR 960116 SPN Mat. 114</p> <p>AG 910241 SPN Mat. 65</p> <p>NFS L 0268 SPN Mat. 76</p> <p>AG 980338 SPN Mat. 87</p> <p>AG 980123 SPN Mat. 105</p> <p>JHO 940077 SPN Mat. 104</p> <p>LMR 960003 SPN Mat. 104</p>
---	---	---	---	---	---


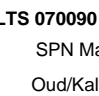
Lot 66B 3 Maande dragtig van LMR 15-162

<p>LMR 120175 SPN Mat. 77</p> <p>OEK 35 TKP 383 RI 105 Oud/Kalw. 7/5 Gem. Si/Kalf 93/4</p>		<p>LMR 080332 SPN Mat. 77</p>		<p>LMR 050117 SPN Mat. 81 Goud</p> <p>OEK 30 SPN Mat. 113 TKP 401 Oud/Kalw. 9/7 Gem. Si/Kalf 107/6</p> <p>DFP 020213 SPN Mat. 89</p> <p>LMR 950084 OEK 35 SPN Mat. 100 TKP 411 Oud/Kalw. 13/10 Gem. Si/Kalf 98/9</p>	<p>AG 970223 SPN Mat. 93</p> <p>LMR 970028 SPN Mat. 78</p> <p>PHR 000069 SPN Mat. 57</p> <p>LMR 950029 SPN Mat. 126</p> <p>RCO 960159 SPN Mat. 92</p> <p>DFP 000075 SPN Mat. 85</p> <p>TLB J 0030 SPN Mat. 103</p> <p>LMR 910078 SPN Mat. 102</p>
---	---	--	---	---	---


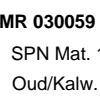
Lot 66C 4 Maande dragtig van LMR 16-124

<p>LMR 120147 SPN Mat. 138 OEK 39 TKP 383 RI 101 Oud/Kalw. 7/5 Gem. Si/Kalf 108/5</p>		<p>JL 070050 SPN Mat. 107</p>		<p>AG 980338 SPN Mat. 87</p> <p>RCO 950140 OEK 35 SPN Mat. 96 TKP 430 Oud/Kalw. 17/11 Gem. Si/Kalf 103/8</p> <p>AG 010258 SPN Mat. 95</p> <p>LMR 000062 OEK 36 SPN Mat. 117 TKP 394 Oud/Kalw. 13/10 Gem. Si/Kalf 103/10</p>	<p>AG 930210 SPN Mat. 104</p> <p>AG 920184 SPN Mat. 102</p> <p>JH L 0216 SPN Mat. 62</p> <p>RCO D 0071 SPN Mat. 95</p> <p>AG 980338 SPN Mat. 87</p> <p>AG 950251 SPN Mat. 109</p> <p>JHO 940077 SPN Mat. 104</p> <p>LMR 920096 SPN Mat. 102</p>
--	---	--	---	---	---


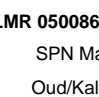
Lot 67A 3 Maande dragtig van LMR 14-216

<p>LMR 100209 SPN Mat. 80</p> <p>OEK 35 TKP 412 RI 102 Oud/Kalw. 10/7 Gem. Si/Kalf 97/7</p>		<p>LMR 060150 SPN Mat. 92 Silver</p>		<p>AG 980159 SPN Mat. 74</p> <p>OEK 36 SPN Mat. 101 TKP 588 Oud/Kalw. 9/5 Gem. Si/Kalf 99/5</p> <p>LTS 960073 SPN Mat. 48</p> <p>LTS 980099 OEK 34 SPN Mat. 86 TKP 389 Oud/Kalw. 10/8 Gem. Si/Kalf 98/8</p>	<p>AG 960085 SPN Mat. 93</p> <p>AG 910189 SPN Mat. 83</p> <p>AG 980338 SPN Mat. 87</p> <p>AG 950102 SPN Mat. 98</p> <p>LTS 930142 SPN Mat. 57</p> <p>EH 930133 SPN Mat. 95</p> <p>LTS 930089 SPN Mat. 138</p> <p>EH 930157 SPN Mat. 79</p>
--	---	---	---	--	--

Lot 67B 3 Maande dragtig van LMR 15-162

<p>LMR 100061 SPN Mat. 100 OEK 38 TKP 382 RI 105 Oud/Kalw. 9/7 Gem. Si/Kalf 102/6</p>		<p>GCD 020109 SPN Mat. 76</p>		<p>AG 960059 SPN Mat. 110</p> <p>GCD 970073 OEK * SPN Mat. 78 TKP Oud/Kalw. */4 Gem. Si/Kalf 101/4</p> <p>AG 970223 SPN Mat. 93</p> <p>LMR 960068 OEK 30 SPN Mat. 132 TKP 431 Oud/Kalw. 7/5 Gem. Si/Kalf 109/5</p>	<p>GB N 0004 SPN Mat. 114</p> <p>AG 910220 SPN Mat. 127</p> <p>STI 930038 SPN Mat. 71</p> <p>GCD 950017 SPN Mat. 109</p> <p>AG 920046 SPN Mat. 123</p> <p>AG 950001 SPN Mat. 118</p> <p>AG 920098 SPN Mat. 80</p> <p>LMR 930046 SPN Mat. 138</p>
--	---	--	---	--	--

Lot 67C 4 Maande dragtig van LMR 15-162

<p>Elite-Brons LMR 100191 SPN Mat. 107</p> <p>OEK 36 TKP 366 RI 109 Oud/Kalw. 9/7 Gem. Si/Kalf 101/7</p>		<p>LMR 020173 SPN Mat. 115 Goud</p>		<p>AG 970223 SPN Mat. 93</p> <p>OEK 27 SPN Mat. 125 TKP 387 Oud/Kalw. 4/3 Gem. Si/Kalf 112/3</p> <p>LAR 990144 SPN Mat. 113</p> <p>LMR 010182 OEK 30 SPN Mat. 81 TKP 373 Oud/Kalw. 5/3 Gem. Si/Kalf 96/2</p>	<p>AG 920046 SPN Mat. 123</p> <p>AG 950001 SPN Mat. 118</p> <p>LMR 940078 SPN Mat. 107</p> <p>LMR 950043 SPN Mat. 120</p> <p>VV 960318 SPN Mat. 76</p> <p>LAR 950050 SPN Mat. 153</p> <p>AG 920098 SPN Mat. 80</p> <p>LMR 930004 SPN Mat. 87</p>
--	---	--	---	---	--


FEMALE ANIMALS

Lot	Seller	ID	PARENTS	Test	Breeding Value Indexes												Days Open	Breeder Own Remarks	
					DIRECT CALF TRAITS		DAUGHTER TRAITS			GROWTH		EFF.	REP	MEASURE-MENTS					R:
					Progeny Birth Weight	Progeny Wean Weight	Ease of Calving	Milk prod.	Mature Weight	Post Wean Weight	Daily Gain	Feed Conv			Height & Length				
			SIRE GV PV	Genomic Tested	Birth Dir	Wean Dir	Birth Mat	Wean Mat	Mat Wgt	Post Wean	ADG	FCR	SC	Hgt	Lgt	LHR	Age		
		POLLED	DAM GV PV	DNA	Acc	Acc	Acc	Acc	Acc	Acc	Acc	Acc	Acc	Acc	Acc	BWR		Calves	
		Gen	Birth Date	Wgt kg	Wgt kg	Ind	kg	kg	kg	365d Ind	540d Ind	Ind	Ind	(mm)	(mm)	(mm)			


Pregnant Cows

68 A	PAUL MARE BONSMARA STOET	CRV 140239	BPJ 100065	PW540	114	85	100	93	88	90	88	91	94	109	93	-	173	4 Maande dragtig van AG 09-751
		SP	HJB 020190	DNA	-0.42	6.5	-0.18	2.0	-3.0	14.7	43	-27	4.9	9	4	-	5.9	
				19.05.14	81	76	70	71	44	68	59	34	65	66	64	-	3	
68 B	PAUL MARE BONSMARA STOET	HDE 140161	WWW 110005	PW540	110	85	118	103	89	85	79	93	92	84	86	-	164	3 Maande dragtig van FUZ 15-019
		SP	HDE 120060		0.01	6.4	-1.01	4.7	-2.0	11.3	1	-31	2.9	-11	-7	7.81	5.5	
				13.10.14	81	74	67	63	45	67	55	28	60	61	59	48.9	3	
68 C	PAUL MARE BONSMARA STOET	AG 140421	HCO 090044	PW365	106	116	116	109	111	114	116	106	119	102	108	-	128	3 Maande dragtig van LMR 14-216
		SP	AG 040442	DNA	0.39	20.7	-0.94	6.2	22.0	31.1	170	-59	24.3	3	25	7.56	5.5	
				08.11.14	82	78	72	73	53	66	56	32	61	62	60	46.2	3	
69 A	PAUL MARE BONSMARA STOET	LMR 150101	JRB 040014	PW540	86	104	69	100	92	102	98	97	93	93	102	-	223	3 Maande dragtig van LMR 14-216
		SP	LMR 100275		2.46	15.1	1.22	3.8	1.0	22.9	85	-39	3.7	-4	17	-	5	
				03.05.15	80	73	71	67	54	70	59	27	62	62	61	37.2	3	
69 B	PAUL MARE BONSMARA STOET	LMR 150119	AG 100008	PW540	119	93	133	94	80	94	107	104	108	98	101	-	210	3 Maande dragtig van LMR 14-216
		SP	LMR 110205		-0.95	9.9	-1.68	2.2	-12.0	17.6	129	-56	15.6	0	15	-	5	
				11.05.15	80	75	69	70	40	70	58	37	61	61	60	41.9	3	
69 C	PAUL MARE BONSMARA STOET	LMR 150137	CEW 110177	PW365	91	107	112	88	103	99	99	98	96	99	101	-	170	3 Maande dragtig van LMR 15-162
		SP	LMR 090001		2.00	16.4	-0.74	0.5	13.0	20.8	91	-42	6.4	1	15	-	4.7	
				01.09.15	78	72	58	63	42	57	46	28	50	50	49	-	2	


Lot 68A 4 Maande dragtig van AG 09-751

<p>CRV 140239 SPN Mat. 93 AFC 34 ICP 488 RI 93 Age/Calv. 5/3 Avg. WI/Calf 93/2</p>	<p>BPJ 100065 SPN Mat. 91</p> 	<p>BHE 030083 SPN Mat. 86 Gold</p> <p>HJB 000292 AFC 34 SPN Mat. 84 ICP 457 Age/Calv. 15/11 Avg. WI/Calf 98/9</p> <p>LA 970205 SPN Mat. 93</p> <p>SEP 920050 AFC 35 SPN Mat. 133 ICP 437 Age/Calv. 10/7 Avg. WI/Calf 100/5</p>	<p>RCO 980037 SPN Mat. 67 BHE 990076 SPN Mat. 113 LA 960061 SPN Mat. 84 HJB 920153 SPN Mat. 85 GB 920056 SPN Mat. 112 LA K 0016 SPN Mat. 96 AMF J 0464 SPN Mat. 137 SEP C 0013 SPN Mat. 110</p>
---	--	--	---


Lot 68B 3 Maande dragtig van FUZ 15-019

<p>HDE 140161 SPN Mat. 103 AFC 36 ICP 387 RI 101 Age/Calv. 5/3 Avg. WI/Calf 101/2</p>	<p>VVW 110005 SPN Mat. 99</p> 	<p>PSC 070017 SPN Mat. 103</p> <p>VVW 050152 AFC 28 SPN Mat. 97 ICP 384 Age/Calv. 13/11 Avg. WI/Calf 98/9</p> <p>HDE 060085 SPN Mat. 116 Silver</p> <p>HDE 090017 AFC 37 SPN Mat. 97 ICP 361 Age/Calv. 6/4 Avg. WI/Calf 101/4</p>	<p>V 020033 SPN Mat. 105 PSC 030007 SPN Mat. 120 EMH 000151 SPN Mat. 93 VVW 010023 SPN Mat. 100 LTS 010162 SPN Mat. 107 HDE 030198 SPN Mat. 99 HFN 050089 SPN Mat. 87 HDE 980151 SPN Mat. 117</p>
--	--	---	---


Lot 68C 3 Maande dragtig van LMR 14-216

<p>AG 140421 SPN Mat. 109 AFC 36 ICP 395 RI 100 Age/Calv. 5/3 Avg. WI/Calf 107/2</p>	<p>HCO 090044 SPN Mat. 114</p> 	<p>VV 030346 SPN Mat. 115 Elite-Gold</p> <p>HJB 060044 AFC 26 SPN Mat. 95 ICP 384 Age/Calv. 11/9 Avg. WI/Calf 101/9</p> <p>AG 020145 SPN Mat. 91 Gold</p> <p>AG 970190 AFC 25 SPN Mat. 102 ICP 387 Age/Calv. 15/13 Avg. WI/Calf 102/13</p>	<p>VV 000318 SPN Mat. 87 VV 970265 SPN Mat. 136 RCO 010162 SPN Mat. 70 HJB 010959 SPN Mat. 112 AG 980338 SPN Mat. 87 AG 950012 SPN Mat. 120 JRB H 0157 SPN Mat. 99 AG 920017 SPN Mat. 79</p>
---	---	--	--


Lot 69A 3 Maande dragtig van LMR 14-216

<p>LMR 150101 SPN Mat. 100 AFC 29 ICP 351 RI 115 Age/Calv. 4/3 Avg. WI/Calf 98/2</p>	<p>JRB 040014 SPN Mat. 87</p> 	<p>JRB 000170 SPN Mat. 87</p> <p>JRB 020111 AFC * SPN Mat. 86 ICP Age/Calv. */4 Avg. WI/Calf 99/4</p> <p>AG 030256 SPN Mat. 86</p> <p>LMR 050199 AFC 28 SPN Mat. 125 ICP 410 Age/Calv. 11/9 Avg. WI/Calf 111/8</p>	<p>IVY 960379 P SPN Mat. 100 JRB 960089 SPN Mat. 110 JRB 950073 SPN Mat. 56 JRB 950198 SPN Mat. 120 AG 980338 SPN Mat. 87 AG 930063 SPN Mat. 100 AG 970223 SPN Mat. 93 LMR 990091 SPN Mat. 83</p>
---	--	--	---

Lot 69B 3 Maande dragtig van LMR 14-216

<p>LMR 150119 SPN Mat. 94 AFC 29 ICP 362 RI 114 Age/Calv. 4/3 Avg. WI/Calf 99/3</p>	<p>AG 100008 SPN Mat. 88</p> 	<p>AG 060481 SPN Mat. 90</p> <p>AG 970106 AFC 26 SPN Mat. 80 ICP 392 Age/Calv. 15/13 Avg. WI/Calf 95/12</p> <p>LMR 070280 SPN Mat. 120</p> <p>LMR 080207 AFC 38 SPN Mat. 87 ICP 380 Age/Calv. 6/4 Avg. WI/Calf 101/4</p>	<p>LAR 010176 SPN Mat. 84 AG 970157 SPN Mat. 105 AG J 0008 SPN Mat. 88 AG 950012 SPN Mat. 120 LMR 020148 SPN Mat. 123 LMR 000162 SPN Mat. 95 LMR 050215 SPN Mat. 90 LMR 050391 SPN Mat. 85</p>
--	---	--	--

Lot 69C 3 Maande dragtig van LMR 15-162

<p>LMR 150137 SPN Mat. 88 AFC 31 ICP 598 RI 94 Age/Calv. 4/2 Avg. WI/Calf 100/2</p>	<p>CEW 110177 SPN Mat. 90</p> 	<p>AG 030256 SPN Mat. 86 Elite-Gold</p> <p>CEF 060077 AFC 32 SPN Mat. 94 ICP 365 Age/Calv. 14/12 Avg. WI/Calf 102/12</p> <p>LMR 050108 SPN Mat. 69 Silver</p> <p>SER 050031 AFC 28 SPN Mat. 106 ICP 455 Age/Calv. 6/4 Avg. WI/Calf 107/4</p>	<p>AG 980338 SPN Mat. 87 AG 930063 SPN Mat. 100 CEF 020328 SPN Mat. 89 CEF 010151 SPN Mat. 129 AG 970223 SPN Mat. 93 LMR 980065 SPN Mat. 84 SER 970047 SPN Mat. 94</p>
--	--	--	---

VROULIKE DIERE

Lot	Verkoper	ID	OUERS	Toets	Teelwaarde indekse											Dae Oop	Gebruiker Eie Opmerkings				
					VADER GV OV	Genomies Getoets	Geb Dir	Speen Dir	Geb Mat	Speen Mat	Volwas Gew	Naspeen		GDT	VOV			SO	Hgt	Lgt	LHV
												Akk	Akk								Akk
			MOEDER GV OV	Geb. dat.	Gew kg	Gew kg	Ind	kg	kg	kg	365d Ind	540d Ind	Ind	Ind	(mm)	(mm)	(mm)	SGV	Kalwers		


Dragtige Koeie

70 A	PAUL MARE BONSMARA STOET	LMR 140203	WBB 100260	NS540	115	72	109	71	67	66	71	83	88	73	76	-	227	3 Maande dragtig van LMR 14-216
					-0.61	0.6	-0.59	-4.1	-26.0	-2.1	-39	-10	0.3	-20	-21	-	6.2	
			LMR 110047	01.03.14	28												45.3	
70 B	PAUL MARE BONSMARA STOET	LMR 140151	LMR 070334	NS540	82	111	87	117	114	105	107	97	116	109	115	-	165	3 Maande dragtig van LMR 15-162
					2.94	18.0	0.40	8.6	25.0	25.2	125	-39	22.0	8	34	-	5.7	
			LMR 100059	DNS	05.08.14	40												
70 C	PAUL MARE BONSMARA STOET	LMR 140177	AG 100008	NS540	94	119	111	81	113	121	114	109	117	94	108	-	182	3 Maande dragtig van LMR 15-162
					1.63	22.0	-0.70	-1.5	24.0	36.6	160	-66	22.7	-3	24	-	5.6	
			LMR 090319		05.09.14	36												
71 A	PAUL MARE BONSMARA STOET	LMR 130347	AG 100008	NS540	111	104	116	72	101	105	103	105	100	84	92	-	227	4 Maande dragtig van LMR 16-124
					-0.10	14.9	-0.94	-4.0	11.0	25.0	108	-58	9.8	-11	2	-	6.5	
			LMR 090375		20.10.13	30											34.4	
71 B	PAUL MARE BONSMARA STOET	LMR 130127	LMR 080188	NS540	79	107	94	111	115	109	104	94	108	101	112	-	181	3 Maande dragtig van LMR 16-124
					3.30	16.2	0.06	6.9	26.0	27.7	113	-33	15.8	2	30	-	7	
			LMR 090063		28.04.13	39												
71 C	PAUL MARE BONSMARA STOET	LMR 130301	PAD 090196	NS540	116	100	117	117	98	97	120	106	122	111	119	-	247	3 Maande dragtig van AG 09-751
					-0.72	13.5	-0.97	8.5	7.0	19.4	185	-58	26.9	11	40	-	6.6	
			LMR 080273		09.09.13	30												

Lot 70A 3 Maande dragtig van LMR 14-216

LMR 140203
SPN Mat. 71
OEK 36
TKP 460
RI 92
Oud/Kalw. 6/3
Gem. Si/Kalf 90/3

WBB 100260
SPN Mat. 72



LMR 110047
SPN Mat. 90
Oud/Kalw. 3/1
Gem. Si/Kalf 91/1

AG 030256
SPN Mat. 86

AG 980338
SPN Mat. 87
AG 930063
SPN Mat. 100
DFP 000264
SPN Mat. 92
GBS 920072
SPN Mat. 103

OEK 32 SPN Mat. 76
TKP 390 Oud/Kalw. 9/7
Gem. Si/Kalf 94/6

SPN Mat.

SPN Mat.


AG 980159
SPN Mat. 74
LMR 940083
SPN Mat. 104

OEK 30 SPN Mat. 87
TKP 395 Oud/Kalw. 10/8
Gem. Si/Kalf 96/7

Lot 70B 3 Maande dragtig van LMR 15-162

LMR 140151
SPN Mat. 117
OEK 38
TKP 388
RI 97
Oud/Kalw. 5/3
Gem. Si/Kalf 111/3

LMR 070334
SPN Mat. 84



LMR 100059
SPN Mat. 114
Oud/Kalw. 6/3
Gem. Si/Kalf 97/3

NFS 040124
SPN Mat. 104
Silver

LMR 040003
SPN Mat. 86
Oud/Kalw. 6/5
Gem. Si/Kalf 102/2

LMR 020173
SPN Mat. 115
Goud


LMR 030244
SPN Mat. 106
Oud/Kalw. 10/7
Gem. Si/Kalf 108/6

SPN Mat. 83
NFS 960193
SPN Mat. 129
AG 970002
SPN Mat. 79
LMR 980001
SPN Mat. 103
AG 970223
SPN Mat. 93
LMR 980195
SPN Mat. 125
AG 990166
SPN Mat. 80
LMR 010208
SPN Mat. 113

Lot 70C 3 Maande dragtig van LMR 15-162

LMR 140177
SPN Mat. 81
OEK 38
TKP 359
RI 100
Oud/Kalw. 5/3
Gem. Si/Kalf 97/3

AG 100008
SPN Mat. 88



LMR 090319
SPN Mat. 91
Oud/Kalw. 9/7
Gem. Si/Kalf 103/6

AG 060481
SPN Mat. 90

AG 970106
SPN Mat. 80
Oud/Kalw. 15/13
Gem. Si/Kalf 95/12

LMR 050108
SPN Mat. 69
Silver


LMR 050373
SPN Mat. 92
Oud/Kalw. 6/4
Gem. Si/Kalf 101/4

LAR 010176
SPN Mat. 84
AG 970157
SPN Mat. 105
AG J 0008
SPN Mat. 88
AG 950012
SPN Mat. 120
AG 970223
SPN Mat. 93
LMR 980065
SPN Mat. 84
AEJ 970082
SPN Mat. 80
LMR 020115
SPN Mat. 96

Lot 71A 4 Maande dragtig van LMR 16-124

LMR 130347
SPN Mat. 72
OEK 27
TKP 444
RI 107
Oud/Kalw. 6/4
Gem. Si/Kalf 100/4

AG 100008
SPN Mat. 88



LMR 090375
SPN Mat. 55
Oud/Kalw. 10/8
Gem. Si/Kalf 92/7

AG 060481
SPN Mat. 90

AG 970106
SPN Mat. 80
Oud/Kalw. 15/13
Gem. Si/Kalf 95/12

LMR 030096
SPN Mat. 48
Goud


LMR 040302
SPN Mat. 84
Oud/Kalw. 7/5
Gem. Si/Kalf 106/4

SPN Mat. 84
AG 970157
SPN Mat. 105
AG J 0008
SPN Mat. 88
AG 950012
SPN Mat. 120
AG 950204
SPN Mat. 43
LMR 960116
SPN Mat. 114
MCH 010015
SPN Mat. 104
MCH 000144
SPN Mat. 52

Lot 71B 3 Maande dragtig van LMR 16-124

LMR 130127
SPN Mat. 111
OEK 34
TKP 447
RI 97
Oud/Kalw. 7/4
Gem. Si/Kalf 102/4

LMR 080188
SPN Mat. 95



LMR 090063
SPN Mat. 97
Oud/Kalw. 6/4
Gem. Si/Kalf 103/4

LAR 030052
SPN Mat. 93

LMR 030288
SPN Mat. 86
Oud/Kalw. 6/4
Gem. Si/Kalf 100/4

AG 010258
SPN Mat. 95


LMR 040341
SPN Mat. 83
Oud/Kalw. 8/4
Gem. Si/Kalf 95/2

AG 980338
SPN Mat. 87
LAR 000319
SPN Mat. 96
HDE 980132
SPN Mat. 75
LMR 990036
SPN Mat. 117
AG 980338
SPN Mat. 87
AG 950251
SPN Mat. 109
PHR 000069
SPN Mat. 57
LMR 990036
SPN Mat. 117

Lot 71C 3 Maande dragtig van AG 09-751

LMR 130301
SPN Mat. 117
OEK 35
TKP 366
RI 106
Oud/Kalw. 6/4
Gem. Si/Kalf 103/5

PAD 090196
SPN Mat. 125



LMR 080273
SPN Mat. 104
Oud/Kalw. 6/3
Gem. Si/Kalf 107/2

EI 980080
SPN Mat. 88
EI 990057
SPN Mat. 101
AG 900146
SPN Mat. 106
LAP N 0051
SPN Mat. 131
AG 000279
SPN Mat. 109
LMR 020081
SPN Mat. 117
AEJ 970082
SPN Mat. 80
LMR 020307
SPN Mat. 81

EI 040038
SPN Mat. 93

SLH 950067
SPN Mat. 138
Oud/Kalw. 19/13
Gem. Si/Kalf 103/12

LMR 050223
SPN Mat. 103

LMR 050310
SPN Mat. 96
Oud/Kalw. 14/11
Gem. Si/Kalf 100/11


FEMALE ANIMALS

Lot	Seller	ID	PARENTS	Test	Breeding Value Indexes												Days Open	Breeder Own Remarks					
					SIRE GV PV	Genomic Tested	Birth Dir		Wean Dir		Birth Mat	Wean Mat	Mat Wgt	Post Wean		ADG			FCR	SC	Hgt	Lgt	LHR
							DNA	Acc	Acc	Acc	Acc	Acc	Acc	Acc	Acc	Acc			Acc	Acc	Acc	Acc	Acc
Gen	DAM GV PV	Birth Date	Wgt kg	Wgt kg	Ind	kg	kg	kg	365d Ind	540d Ind	Ind	Ind	(mm)	(mm)	(mm)		Age	Calves					


Pregnant Cows

72 A	PAUL MARE BONSMARA STOET	LMR 120257 SP	LMR 070297	PW540	90	103	98	107	104	98	87	98	84	88	93	-	167	4 Maande dragtig van ABM 16-106
					2.13	14.8	-0.09	5.7	13.0	20.4	37	-42	-3.0	-8	3	-	7.6	
			LMR 090221	08.09.12	34													
72 B	PAUL MARE BONSMARA STOET	LMR 120237 SP	LMR 070280	PW540	95	92	110	98	78	82	84	97	92	95	88	-	226	4 Maande dragtig van AG 09-751
					1.55	9.7	-0.66	3.2	-14.0	9.0	24	-39	3.3	-2	-3	-	7.9	
			LMR 090127	10.06.12	33													
72 C	PAUL MARE BONSMARA STOET	LMR 120267 SP	LMR 100050	PW540	98	93	90	79	89	89	98	99	89	91	94	-	149	3 Maande dragtig van ABM 16-106
					1.21	10.0	0.28	-2.0	-2.0	13.7	87	-43	0.9	-6	6	-	7.6	
			LMR 090109	21.09.12	37													
73 A	PAUL MARE BONSMARA STOET	AEJ 100004 SP	WAT 040339	PW540	89	120	89	131	83	115	113	107	112	106	117	-	338	3 Maande dragtig van AG 09-751
					2.16	22.1	0.30	12.4	-8.0	32.4	154	-61	18.7	6	38	7.11	10.1	
			AEJ 050131	01.04.10	32													
73 B	PAUL MARE BONSMARA STOET	HDE 100006 SP	HDE 060085	PW540	93	95	95	139	103	104	106	105	106	108	108	-	194	3 Maande dragtig van LMR 15-162
					1.76	10.9	0.04	14.6	13.0	24.7	124	-58	14.4	8	24	6.93	10.1	
			HDE 070146	07.04.10	37													
73 C	PAUL MARE BONSMARA STOET	LMR 110177 SP	LMR 050108	PW540	74	111	86	92	140	114	89	97	100	77	91	-	194	4 Maande dragtig van LMR 15-162
					3.78	18.3	0.46	1.8	54.0	31.4	44	-39	9.5	-17	1	-	8.6	
			LMR 060244	19.09.11	43													


Lot 72A 4 Maande dragtig van ABM 16-106

<p>LMR 120257 SPN Mat. 107 AFC 35 ICP 390 RI 104 Age/Calv. 7/5 Avg. WI/Calf 103/3</p>	<p>LMR 070297 SPN Mat. 95</p> 	<p>LMR 090221 SPN Mat. 101 Age/Calv. 10/7 Avg. WI/Calf 102/7</p>	<p>BG 040039 SPN Mat. 110</p>	<p>BG 010012 SPN Mat. 128</p>
			<p>LMR 020319 AFC 34 SPN Mat. 76 ICP 470 Age/Calv. 5/3 Avg. WI/Calf 90/3</p>	<p>BG 000036 SPN Mat. 114</p>
			<p>LMR 060150 SPN Mat. 92 Silver</p>	<p>AG 920143 SPN Mat. 98</p>
			<p>LMR 060259 SPN Mat. 111 Age/Calv. 6/4 Avg. WI/Calf 107/4</p>	<p>LMR N 0021 SPN Mat. 79</p>
			<p>LMR 040196 SPN Mat. 91</p>	<p>AG 980159 SPN Mat. 74</p>
			<p>LMR 040029 SPN Mat. 112</p>	<p>AG 010266 SPN Mat. 101</p>


Lot 72B 4 Maande dragtig van AG 09-751

<p>LMR 120237 SPN Mat. 98 AFC 39 ICP 370 RI 103 Age/Calv. 7/5 Avg. WI/Calf 102/5</p>	<p>LMR 070280 SPN Mat. 120</p> 	<p>LMR 090127 SPN Mat. 62 Age/Calv. 5/3 Avg. WI/Calf 97/3</p>	<p>LMR 020148 SPN Mat. 123 Bronze</p>	<p>LMR 990165 SPN Mat. 109</p>
			<p>LMR 000162 SPN Mat. 95 Age/Calv. 9/7 Avg. WI/Calf 105/6</p>	<p>LMR 960116 SPN Mat. 114</p>
			<p>GCD 020109 SPN Mat. 76</p>	<p>AG 910241 SPN Mat. 65</p>
			<p>LMR 030152 SPN Mat. 54 Age/Calv. 10/8 Avg. WI/Calf 91/7</p>	<p>NFS L 0268 SPN Mat. 76</p>
			<p>LMR 930083 SPN Mat. 110</p>	<p>AG 960059 SPN Mat. 76</p>
			<p>LMR 930083 SPN Mat. 78</p>	<p>AG 950204 SPN Mat. 43</p>


Lot 72C 3 Maande dragtig van ABM 16-106

<p>LMR 120267 SPN Mat. 79 AFC 37 ICP 373 RI 104 Age/Calv. 7/5 Avg. WI/Calf 97/4</p>	<p>LMR 100050 SPN Mat. 74</p> 	<p>LMR 090109 SPN Mat. 92 Age/Calv. 3/1 Avg. WI/Calf 101/1</p>	<p>AG 030256 SPN Mat. 86</p>	<p>AG 980338 SPN Mat. 87</p>
			<p>LMR 030092 AFC 36 SPN Mat. 83 ICP 380 Age/Calv. 8/6 Avg. WI/Calf 92/3</p>	<p>AG 930063 SPN Mat. 100</p>
			<p>CEW 060021 SPN Mat. 102</p>	<p>AG 990017 SPN Mat. 99</p>
			<p>LMR 060040 SPN Mat. 96 Age/Calv. 8/6 Avg. WI/Calf 101/6</p>	<p>LMR 980053 SPN Mat. 95</p>
			<p>LMR 940076 SPN Mat. 118</p>	<p>RB 010003 SPN Mat. 114</p>
			<p>LMR 940076 SPN Mat. 116</p>	<p>CEW 030091 SPN Mat. 59</p>


Lot 73A 3 Maande dragtig van AG 09-751

<p>AEJ 100004 SPN Mat. 131 AFC 30 ICP 403 RI 107 Age/Calv. 9/7 Avg. WI/Calf 111/6</p>	<p>WAT 040339 SPN Mat. 110</p> 	<p>AEJ 050131 SPN Mat. 111 Age/Calv. 8/5 Avg. WI/Calf 105/4</p>	<p>WAT 020054 SPN Mat. 98</p>	<p>JRB 980236 SPN Mat. 42</p>
			<p>AEJ 960089 SPN Mat. 113 Age/Calv. 15/12 Avg. WI/Calf 103/11</p>	<p>WAT 980257 SPN Mat. 113</p>
			<p>BHE 990066 SPN Mat. 92</p>	<p>RCO 970236 SPN Mat. 119</p>
			<p>AEJ 940031 SPN Mat. 113</p>	<p>WAT 970004 SPN Mat. 95</p>
			<p>AEJ 940031 SPN Mat. 113</p>	<p>AG J 0008 SPN Mat. 88</p>
			<p>AEJ 940031 SPN Mat. 113</p>	<p>BHE 950072 SPN Mat. 119</p>

Lot 73B 3 Maande dragtig van LMR 15-162

<p>HDE 100006 SPN Mat. 139 AFC 37 ICP 395 RI 104 Age/Calv. 10/7 Avg. WI/Calf 112/6</p>	<p>HDE 060085 SPN Mat. 116 Silver</p> 	<p>HDE 070146 SPN Mat. 126 Age/Calv. 8/6 Avg. WI/Calf 100/5</p>	<p>LTS 010162 SPN Mat. 107</p>	<p>LTS 950007 SPN Mat. 76</p>
			<p>FCT 010168 SPN Mat. 81</p>	<p>LTS 950079 SPN Mat. 96</p>
			<p>HDE 980134 SPN Mat. 128 Age/Calv. 9/7 Avg. WI/Calf 103/7</p>	<p>T 990014 SPN Mat. 101</p>
			<p>HDE 980134 SPN Mat. 115</p>	<p>B 930213 SPN Mat. 87</p>
			<p>HDE 980134 SPN Mat. 133</p>	<p>BEI 950156 SPN Mat. 74</p>
			<p>HDE 980134 SPN Mat. 133</p>	<p>FCT 990020 SPN Mat. 108</p>

Lot 73C 4 Maande dragtig van LMR 15-162

<p>LMR 110177 SPN Mat. 92 AFC 35 ICP 375 RI 107 Age/Calv. 8/6 Avg. WI/Calf 105/6</p>	<p>LMR 050108 SPN Mat. 69 Silver</p> 	<p>LMR 060244 SPN Mat. 101 Age/Calv. 12/9 Avg. WI/Calf 101/8</p>	<p>AG 970223 SPN Mat. 93</p>	<p>AG 920046 SPN Mat. 123</p>
			<p>LMR 030248 SPN Mat. 92 Age/Calv. 10/8 Avg. WI/Calf 103/8</p>	<p>AG 950001 SPN Mat. 118</p>
			<p>AG 020135 SPN Mat. 122</p>	<p>AG 910241 SPN Mat. 65</p>
			<p>LMR 030248 SPN Mat. 80</p>	<p>LMR 940015 SPN Mat. 85</p>
			<p>LMR 030248 SPN Mat. 99</p>	<p>RCO 990110 SPN Mat. 116</p>
			<p>LMR 030248 SPN Mat. 99</p>	<p>AG 950146 SPN Mat. 117</p>

VROULIKE DIERE

Lot	Verkoper	ID	OUERS	Toets	Teelwaarde indekse												Dae Oop	Gebruiker Eie Opmerkings					
					VADER GV OV	Genomies Getoets	Geb Dir		Speen Dir		Geb Mat	Speen Mat	Volwas Gew	Naspeen		GDT			VOV	SO	Hgt	Lgt	LHV
							Akk	Akk	Akk	Akk	Akk	365d Ind	540d Ind	Ind	Ind	(mm)			(mm)	(mm)	GGV		
		Gen	MOEDER GV OV	Geb. dat.	Gew kg	Gew kg	Ind	kg	kg	kg								SGV	Kalwers				

Dragtige Koeie


74 A	PAUL MARE BONSMARA STOET	LMR 150139	HJL 070124	NS365	108	94	98	98	82	98	104	97	106	87	101	-	227	4 Maande dragtig van LMR 15-162
		SP			0.20	10.4	-0.08	3.3	-10.0	20.0	113	-40	14.6	-9	15	-	4.7	
			LMR 110073	02.09.15	35												2	
74 B	PAUL MARE BONSMARA STOET	LMR 150165	WBB 100260	NS365	101	100	130	96	86	85	91	94	101	92	97	-	220	3 Maande dragtig van FUZ 15-019
		SP			0.89	13.4	-1.55	2.6	-6.0	11.4	53	-34	10.2	-5	9	-	4.6	
			LMR 110393	07.09.15	35												46.5	
74 C	PAUL MARE BONSMARA STOET	LMR 150163	AJF 110256	NS365	97	105	91	107	103	105	101	103	102	108	104	-	220	3 Maande dragtig van FUZ 15-019
		SP			1.36	15.5	0.21	5.9	13.0	25.0	100	-53	11.5	8	20	-	4.6	
			AEJ 070090	06.09.15	38												39.8	
75 A	PAUL MARE BONSMARA STOET	LMR 140207	AG 100008	NS540	99	105	100	73	87	110	108	107	106	95	99	-	247	3 Maande dragtig van LMR 14-216
		SP			1.12	15.6	-0.20	-3.5	-4.0	28.4	130	-61	14.6	-3	12	-	6.1	
			LMR 110387	13.03.14	35												46.4	
75 B	PAUL MARE BONSMARA STOET	LMR 140259	WBB 100260	NS540	99	84	114	92	84	80	79	91	81	75	82	-	227	4 Maande dragtig van LMR 14-216
		SP			1.17	6.0	-0.84	1.7	-8.0	7.8	-1	-28	-5.1	-18	-11	-	5.7	
			LMR 110305	01.08.14	33												-	
75 C	PAUL MARE BONSMARA STOET	LMR 140267	WBB 100260	NS540	94	83	106	86	88	85	80	89	90	93	85	-	218	3 Maande dragtig van LMR 14-216
		SP			1.69	5.6	-0.46	-0.1	-4.0	11.5	2	-23	1.3	-4	-7	-	5.7	
			LMR 110169	14.08.14	34												-	

Lot 74A 4 Maande dragtig van LMR 15-162

LMR 150139
SPN Mat. 98
OEK 36
TKP 370
RI 98
Oud/Kalw. 4/2
Gem. Si/Kalf 111/2

JRB 950035
SPN Mat. 102
JRB 930017
SPN Mat. 92
HJL 960168
SPN Mat. 113
HJL 990005
SPN Mat. 75
AG 970223
SPN Mat. 93
LMR 980195
SPN Mat. 125
AG 990166
SPN Mat. 80
LMR 020195
SPN Mat. 107

HJL 070124
SPN Mat. 92



LMR 110073

OEK 31
TKP 405
RI 102


SPN Mat. 94
Oud/Kalw. 11/9
Gem. Si/Kalf 103/10
SPN Mat. 115
Goud
SPN Mat. 94
Oud/Kalw. 12/10
Gem. Si/Kalf 95/10

Lot 74B 3 Maande dragtig van FUZ 15-019

LMR 150165
SPN Mat. 96
OEK 36
TKP 366
RI 97
Oud/Kalw. 4/2
Gem. Si/Kalf 111/2

AG 980338
SPN Mat. 87
AG 930063
SPN Mat. 100
DFP 000264
SPN Mat. 92
GBS 920072
SPN Mat. 103
BG 040088
SPN Mat. 112
LAR 040288
SPN Mat. 106
SPN Mat.
SER 970047
SPN Mat. 94

WBB 100260
SPN Mat. 72



Elite-Brons
LMR 110393

OEK 32
TKP 390
RI 101


SPN Mat. 76
Oud/Kalw. 9/7
Gem. Si/Kalf 94/6
SPN Mat. 109
Oud/Kalw. 9/6
Gem. Si/Kalf 105/5

Lot 74C 3 Maande dragtig van FUZ 15-019

LMR 150163
SPN Mat. 107
OEK 36
TKP 375
RI 97
Oud/Kalw. 4/2
Gem. Si/Kalf 105/2

BHE 050026
SPN Mat. 105
AJF 060051
SPN Mat. 122
BHE 050026
SPN Mat. 105
AJF 010086
SPN Mat. 143
VV 950281
SPN Mat. 98
KHR 980012
SPN Mat. 111
AEJ 960120
SPN Mat. 43
AEJ 940023
SPN Mat. 124

AJF 110256
SPN Mat. 122



AEJ 070090

OEK 27
TKP 388
RI 109


SPN Mat. 115
Oud/Kalw. 9/7
Gem. Si/Kalf 103/5
SPN Mat. 120
SPN Mat. 65
Oud/Kalw. 5/4
Gem. Si/Kalf 88/4

Lot 75A 3 Maande dragtig van LMR 14-216

LMR 140207
SPN Mat. 73
OEK 38
TKP 421
RI 94
Oud/Kalw. 5/3
Gem. Si/Kalf 98/3

LAR 010176
SPN Mat. 84
AG 970157
SPN Mat. 105
AG J 0008
SPN Mat. 88
AG 950012
SPN Mat. 120
AG J 0008
SPN Mat. 88
PER 000051
SPN Mat. 95
AEJ 970082
SPN Mat. 80
LMR 980188
SPN Mat. 107

AG 100008
SPN Mat. 88



LMR 110387

OEK 26
TKP 392
RI 98


SPN Mat. 80
Oud/Kalw. 15/13
Gem. Si/Kalf 95/12
SPN Mat. 72
Oud/Kalw. 9/6
Gem. Si/Kalf 98/5

Lot 75B 4 Maande dragtig van LMR 14-216

LMR 140259
SPN Mat. 92
OEK 33
TKP 435
RI 100
Oud/Kalw. 5/3
Gem. Si/Kalf 96/3

AG 980338
SPN Mat. 87
AG 930063
SPN Mat. 100
DFP 000264
SPN Mat. 92
GBS 920072
SPN Mat. 103
LAR 000084
SPN Mat. 102
LAR 970251
SPN Mat. 111
LMR 940111
SPN Mat. 128
LMR 000076
SPN Mat. 80

WBB 100260
SPN Mat. 72



LMR 110305

OEK 32
TKP 390
RI 86


SPN Mat. 76
Oud/Kalw. 9/7
Gem. Si/Kalf 94/6
SPN Mat. 116
SPN Mat. 106
Oud/Kalw. 9/6
Gem. Si/Kalf 100/5

Lot 75C 3 Maande dragtig van LMR 14-216

LMR 140267
SPN Mat. 86
OEK 32
TKP 440
RI 100
Oud/Kalw. 5/3
Gem. Si/Kalf 97/4

AG 980338
SPN Mat. 87
AG 930063
SPN Mat. 100
DFP 000264
SPN Mat. 92
GBS 920072
SPN Mat. 103
LMR 030096
SPN Mat. 48
EI 010108
SPN Mat. 127
JHO 940077
SPN Mat. 104
LMR 920096
SPN Mat. 102

WBB 100260
SPN Mat. 72



LMR 110169

OEK 32
TKP 390
RI 101

SPN Mat. 76
Oud/Kalw. 9/7
Gem. Si/Kalf 94/6
SPN Mat. 100
SPN Mat. 113
Oud/Kalw. 9/6
Gem. Si/Kalf 104/4


FEMALE ANIMALS

Lot	Seller	ID	PARENTS		Test	Breeding Value Indexes											Days Open	Breeder Own Remarks		
			SIRE	PV		Birth Dir	Wean Dir	Birth Mat	Wean Mat	Mat Wgt	Post Wean	ADG	FCR	SC	Hgt	Lgt			LHR	
			GV	PV		Acc	Acc	Acc	Acc	Acc	Acc	Acc	Acc	Acc	Acc	Acc			Acc	BWR
		POLLED	DAM <td>PV <td>DNA <td>Wgt kg</td> <td>Wgt kg</td> <td>Ind</td> <td>kg</td> <td>kg</td> <td>kg</td> <td>365d Ind</td> <td>540d Ind</td> <td>Ind</td> <td>Ind</td> <td>(mm)</td> <td>(mm)</td> <td>(mm)</td> <td>Age</td> <td></td> </td></td>	PV <td>DNA <td>Wgt kg</td> <td>Wgt kg</td> <td>Ind</td> <td>kg</td> <td>kg</td> <td>kg</td> <td>365d Ind</td> <td>540d Ind</td> <td>Ind</td> <td>Ind</td> <td>(mm)</td> <td>(mm)</td> <td>(mm)</td> <td>Age</td> <td></td> </td>	DNA <td>Wgt kg</td> <td>Wgt kg</td> <td>Ind</td> <td>kg</td> <td>kg</td> <td>kg</td> <td>365d Ind</td> <td>540d Ind</td> <td>Ind</td> <td>Ind</td> <td>(mm)</td> <td>(mm)</td> <td>(mm)</td> <td>Age</td> <td></td>	Wgt kg	Wgt kg	Ind	kg	kg	kg	365d Ind	540d Ind	Ind	Ind	(mm)	(mm)	(mm)	Age	
		Gen	GV <td>PV <td>Birth Date <td></td> <td></td> <td></td> <td></td> <td></td> <td></td> <td></td> <td></td> <td></td> <td></td> <td></td> <td></td> <td>Calves</td> <td></td> <td></td> </td></td>	PV <td>Birth Date <td></td> <td></td> <td></td> <td></td> <td></td> <td></td> <td></td> <td></td> <td></td> <td></td> <td></td> <td></td> <td>Calves</td> <td></td> <td></td> </td>	Birth Date <td></td> <td></td> <td></td> <td></td> <td></td> <td></td> <td></td> <td></td> <td></td> <td></td> <td></td> <td></td> <td>Calves</td> <td></td> <td></td>													Calves		


Pregnant Cows

76	PAUL MARE BONSMARA STOET	LMR 130367 SP	WAT 050078	PW540	98	114	94	99	100	111	114	100	112	118	118	-	170	4 Maande dragtig van FUZ 15-019
			PH		1.24	19.8	0.07	3.6	10.0	29.5	161	-47	19.0	16	39	-	6.5	
			AEJ 090223	30.10.13	83	78	75	77	54	72	60	50	64	64	63	-	44.3	
77 A	PAUL MARE BONSMARA STOET	LMR 120353 SP	LMR 080332	PW540	96	113	84	86	126	115	112	109	110	115	108	-	248	4 Maande dragtig van LMR 15-162
					1.43	19.3	0.55	0.0	38.0	31.8	150	-66	17.9	14	25	-	7.5	
			LMR 060259	22.10.12	82	77	73	77	37	68	58	34	64	65	63	-	5	
77 B	PAUL MARE BONSMARA STOET	LMR 120387 SP	AG 080158	PW540	114	101	123	98	104	99	100	96	108	96	103	-	230	4 Maande dragtig van LMR 15-162
					-0.49	13.8	-1.25	3.3	14.0	20.9	96	-37	16.3	-1	18	-	7.5	
			LMR 040060	05.11.12	83	78	73	75	40	72	63	33	68	68	67	-	4	
77 C	PAUL MARE BONSMARA STOET	LMR 120530 SP	AEJ 090100	PW540	97	102	94	105	96	107	117	105	98	122	115	-	223	4 Maande dragtig van AG 09-751
					1.30	14.2	0.09	5.2	5.0	26.6	171	-58	7.8	19	35	-	7.6	
			AEJ 080121	18.09.12	82	78	73	75	56	69	61	26	66	67	65	-	4	
78 A	PAUL MARE BONSMARA STOET	LMR 110247 SP	LMR 070334	PW540	91	109	84	83	95	100	100	93	109	106	105	-	221	4 Maande dragtig van LMR 14-216
					2.02	17.5	0.52	-0.7	4.0	21.4	94	-31	16.5	6	20	-	8.6	
			LMR 080333	01.10.11	84	79	79	81	50	72	57	33	59	58	58	-	6	
78 B	PAUL MARE BONSMARA STOET	LMR 110301 SP	LAR 040172	PW540	102	84	105	117	90	94	93	99	112	89	90	-	251	4 Maande dragtig van LMR 15-162
					0.86	6.1	-0.44	8.6	-1.0	17.5	63	-45	19.0	-8	0	-	8.6	
			LMR 060306	30.09.11	85	80	79	79	51	74	66	45	70	71	70	-	43.7	


Lot 76 4 Maande dragtig van FUZ 15-019

<p>LMR 130367 SPN Mat. 99 AFC 35 ICP 379 RI 105 Age/Calv. 6/4 Avg. WI/Calf 105/3</p>	<p>WAT 050078 SPN Mat. 86</p>  <p>Elite-Gold AEJ 090223</p>	<p>WAT 000200 SPN Mat. 113</p>	<p>WAT 020330 AFC 34 ICP 372 SPN Mat. 104 Age/Calv. 11/9 Avg. WI/Calf 103/8</p>	<p>BG 960125 SPN Mat. 100 WAT 960277 SPN Mat. 106 WAT 970101 SPN Mat. 108 WAT 970271 SPN Mat. 88 VV 020021 SPN Mat. 95 VV 020068 SPN Mat. 83 JJF 000131 SPN Mat. 88 AEJ 030013 SPN Mat. 113</p>


Lot 77A 4 Maande dragtig van LMR 15-162

<p>LMR 120353 SPN Mat. 86 AFC 34 ICP 369 RI 109 Age/Calv. 7/5 Avg. WI/Calf 98/5</p>	<p>LMR 080332 SPN Mat. 77</p>  <p>LMR 060259</p>	<p>LMR 050117 SPN Mat. 81 Gold</p>	<p>LMR 030262 AFC 30 ICP 401 SPN Mat. 113 Age/Calv. 9/7 Avg. WI/Calf 107/6</p>	<p>AG 970223 SPN Mat. 93 LMR 970028 SPN Mat. 78 PHR 000069 SPN Mat. 57 LMR 950029 SPN Mat. 126 AG 970223 SPN Mat. 93 LMR 970129 SPN Mat. 105 AG 970002 SPN Mat. 79 LMR 920009 SPN Mat. 127</p>


Lot 77B 4 Maande dragtig van LMR 15-162

<p>LMR 120387 SPN Mat. 98 AFC 39 ICP 435 RI 92 Age/Calv. 7/4 Avg. WI/Calf 104/4</p>	<p>AG 080158 SPN Mat. 115</p>  <p>LMR 040060</p>	<p>EI 940339 SPN Mat. 117</p>	<p>AG 060016 AFC 31 ICP 375 SPN Mat. 84 Age/Calv. 9/7 Avg. WI/Calf 102/5</p>	<p>EI 920079 SPN Mat. 129 EI 920048 SPN Mat. 105 LAR 010176 SPN Mat. 84 AG 020194 SPN Mat. 75 JRB H 0157 SPN Mat. 99 RCO 940154 SPN Mat. 93 AG 950204 SPN Mat. 43 LMR 960035 SPN Mat. 111</p>


Lot 77C 4 Maande dragtig van AG 09-751

<p>LMR 120530 SPN Mat. 105 AFC 34 ICP 504 RI 89 Age/Calv. 7/4 Avg. WI/Calf 101/4</p>	<p>AEJ 090100 SPN Mat. 102</p>  <p>AEJ 080121</p>	<p>AEJ 050212 SPN Mat. 111</p>	<p>AEJ 050110 AFC 31 ICP 483 SPN Mat. 110 Age/Calv. 9/6 Avg. WI/Calf 100/7</p>	<p>JJF 000131 SPN Mat. 88 AEJ 020046 SPN Mat. 132 KHR 000012 SPN Mat. 120 AEJ 980144 SPN Mat. 95 VV 950353 SPN Mat. 107 RAI 950040 SPN Mat. 110 AEJ 970106 SPN Mat. 68 AEJ N 0047 SPN Mat. 116</p>

Lot 78A 4 Maande dragtig van LMR 14-216

<p>LMR 110247 SPN Mat. 83 AFC 30 ICP 398 RI 108 Age/Calv. 8/6 Avg. WI/Calf 97/6</p>	<p>LMR 070334 SPN Mat. 84</p>  <p>LMR 080333</p>	<p>NFS 040124 SPN Mat. 104 Silver</p>	<p>LMR 040003 AFC 31 ICP 356 SPN Mat. 86 Age/Calv. 6/5 Avg. WI/Calf 102/2</p>	<p>RCO 980053 SPN Mat. 83 NFS 960193 SPN Mat. 129 AG 970002 SPN Mat. 79 LMR 980001 SPN Mat. 103 LMR 990165 SPN Mat. 109 LMR 960116 SPN Mat. 114 AG 920098 SPN Mat. 80 LMR 940063 SPN Mat. 87</p>

Lot 78B 4 Maande dragtig van LMR 15-162

<p>LMR 110301 SPN Mat. 117 AFC 34 ICP 368 RI 109 Age/Calv. 8/6 Avg. WI/Calf 99/5</p>	<p>LAR 040172 SPN Mat. 116</p>  <p>LMR 060306</p>	<p>LAR 000084 SPN Mat. 102</p>	<p>LAR 970251 AFC 36 ICP 370 SPN Mat. 111 Age/Calv. 14/12 Avg. WI/Calf 107/10</p>	<p>AG 960059 SPN Mat. 110 LAR 970205 SPN Mat. 83 LAR 940004 SPN Mat. 84 LAR N 0155 SPN Mat. 91 AG 960085 SPN Mat. 93 AG 910189 SPN Mat. 83 LMR 940111 SPN Mat. 128 LMR 970139 SPN Mat. 113</p>


VROULIKE DIERE

Lot	Verkoper	ID	OUERS		Toets	Teelwaarde indekse										Dae Oop	Gebruiker Eie Opmerkings				
			VADER	OV		Geb Dir	Speen Dir	Geb Mat	Speen Mat	Volw Gew	Naspeen	GDT	VOV	SO	Hgt			Lgt	LHV		
			GV	OV		Akk	Akk	Akk	Akk	Akk	Akk	Akk	Akk	Akk	Akk			Akk	Akk	GGV	
		POENA	MOEDER <td>OV <td>DNS <td>Akk <td>Akk <td>Akk <td>Akk <td>Akk <td>Akk <td>Akk <td>Akk <td>Akk <td>Akk <td>Akk <td>Akk <td>SGV <td>Oud</td> <td></td> </td></td></td></td></td></td></td></td></td></td></td></td></td></td></td>	OV <td>DNS <td>Akk <td>Akk <td>Akk <td>Akk <td>Akk <td>Akk <td>Akk <td>Akk <td>Akk <td>Akk <td>Akk <td>Akk <td>SGV <td>Oud</td> <td></td> </td></td></td></td></td></td></td></td></td></td></td></td></td></td>	DNS <td>Akk <td>Akk <td>Akk <td>Akk <td>Akk <td>Akk <td>Akk <td>Akk <td>Akk <td>Akk <td>Akk <td>Akk <td>SGV <td>Oud</td> <td></td> </td></td></td></td></td></td></td></td></td></td></td></td></td>	Akk <td>Akk <td>Akk <td>Akk <td>Akk <td>Akk <td>Akk <td>Akk <td>Akk <td>Akk <td>Akk <td>Akk <td>SGV <td>Oud</td> <td></td> </td></td></td></td></td></td></td></td></td></td></td></td>	Akk <td>Akk <td>Akk <td>Akk <td>Akk <td>Akk <td>Akk <td>Akk <td>Akk <td>Akk <td>Akk <td>SGV <td>Oud</td> <td></td> </td></td></td></td></td></td></td></td></td></td></td>	Akk <td>Akk <td>Akk <td>Akk <td>Akk <td>Akk <td>Akk <td>Akk <td>Akk <td>Akk <td>SGV <td>Oud</td> <td></td> </td></td></td></td></td></td></td></td></td></td>	Akk <td>Akk <td>Akk <td>Akk <td>Akk <td>Akk <td>Akk <td>Akk <td>Akk <td>SGV <td>Oud</td> <td></td> </td></td></td></td></td></td></td></td></td>	Akk <td>Akk <td>Akk <td>Akk <td>Akk <td>Akk <td>Akk <td>Akk <td>SGV <td>Oud</td> <td></td> </td></td></td></td></td></td></td></td>	Akk <td>Akk <td>Akk <td>Akk <td>Akk <td>Akk <td>Akk <td>SGV <td>Oud</td> <td></td> </td></td></td></td></td></td></td>	Akk <td>Akk <td>Akk <td>Akk <td>Akk <td>Akk <td>SGV <td>Oud</td> <td></td> </td></td></td></td></td></td>	Akk <td>Akk <td>Akk <td>Akk <td>Akk <td>SGV <td>Oud</td> <td></td> </td></td></td></td></td>	Akk <td>Akk <td>Akk <td>Akk <td>SGV <td>Oud</td> <td></td> </td></td></td></td>	Akk <td>Akk <td>Akk <td>SGV <td>Oud</td> <td></td> </td></td></td>	Akk <td>Akk <td>SGV <td>Oud</td> <td></td> </td></td>	Akk <td>SGV <td>Oud</td> <td></td> </td>	SGV <td>Oud</td> <td></td>	Oud		
		Gen	GV <td>OV <td>Geb. dat. <td>Gew kg <td>Gew kg <td>Ind <td>kg <td>kg <td>kg <td>365d Ind</td> <td>540d Ind</td> <td>Ind</td> <td>Ind</td> <td>(mm)</td> <td>(mm)</td> <td>(mm)</td> <td></td> <td>Kalwers</td> <td></td> </td></td></td></td></td></td></td></td>	OV <td>Geb. dat. <td>Gew kg <td>Gew kg <td>Ind <td>kg <td>kg <td>kg <td>365d Ind</td> <td>540d Ind</td> <td>Ind</td> <td>Ind</td> <td>(mm)</td> <td>(mm)</td> <td>(mm)</td> <td></td> <td>Kalwers</td> <td></td> </td></td></td></td></td></td></td>	Geb. dat. <td>Gew kg <td>Gew kg <td>Ind <td>kg <td>kg <td>kg <td>365d Ind</td> <td>540d Ind</td> <td>Ind</td> <td>Ind</td> <td>(mm)</td> <td>(mm)</td> <td>(mm)</td> <td></td> <td>Kalwers</td> <td></td> </td></td></td></td></td></td>	Gew kg <td>Gew kg <td>Ind <td>kg <td>kg <td>kg <td>365d Ind</td> <td>540d Ind</td> <td>Ind</td> <td>Ind</td> <td>(mm)</td> <td>(mm)</td> <td>(mm)</td> <td></td> <td>Kalwers</td> <td></td> </td></td></td></td></td>	Gew kg <td>Ind <td>kg <td>kg <td>kg <td>365d Ind</td> <td>540d Ind</td> <td>Ind</td> <td>Ind</td> <td>(mm)</td> <td>(mm)</td> <td>(mm)</td> <td></td> <td>Kalwers</td> <td></td> </td></td></td></td>	Ind <td>kg <td>kg <td>kg <td>365d Ind</td> <td>540d Ind</td> <td>Ind</td> <td>Ind</td> <td>(mm)</td> <td>(mm)</td> <td>(mm)</td> <td></td> <td>Kalwers</td> <td></td> </td></td></td>	kg <td>kg <td>kg <td>365d Ind</td> <td>540d Ind</td> <td>Ind</td> <td>Ind</td> <td>(mm)</td> <td>(mm)</td> <td>(mm)</td> <td></td> <td>Kalwers</td> <td></td> </td></td>	kg <td>kg <td>365d Ind</td> <td>540d Ind</td> <td>Ind</td> <td>Ind</td> <td>(mm)</td> <td>(mm)</td> <td>(mm)</td> <td></td> <td>Kalwers</td> <td></td> </td>	kg <td>365d Ind</td> <td>540d Ind</td> <td>Ind</td> <td>Ind</td> <td>(mm)</td> <td>(mm)</td> <td>(mm)</td> <td></td> <td>Kalwers</td> <td></td>	365d Ind	540d Ind	Ind	Ind	(mm)	(mm)	(mm)		Kalwers	


Dragtige Koeie

78 C	PAUL MARE BONSMARA STOET	LMR 110313	AG 030046	NS540	97	112	113	89	90	102	104	110	94	91	101	-	205	4 Maande dragtig van LMR 16-124
					1.30	18.7	-0.81	0.8	-1.0	23.0	116	-68	4.9	-6	15	-	8.5	
			LMR 060180	15.10.11	84	79	78	79	59	73	61	37	65	65	64	-	6	
79 A	PAUL MARE BONSMARA STOET	LMR 100321	LMR 050108	NS365	89	115	140	83	132	113	99	102	110	94	97	-	233	4 Maande dragtig van LMR 15-162
					2.17	19.9	-2.00	-0.8	45.0	30.5	91	-50	17.2	-3	9	-	9.7	
			LMR 040129	30.08.10	85	82	81	84	45	73	60	47	63	63	62	-	7	
79 B	PAUL MARE BONSMARA STOET	LMR 100195	AG 030256	NS365	104	93	130	108	97	92	96	101	95	101	97	-	157	2 Maande dragtig van LMR 16-124
					0.57	10.2	-1.55	6.0	7.0	16.1	78	-48	5.6	2	9	-	9.6	
			LMR 000062	09.09.10	85	80	80	81	52	71	62	43	66	66	65	-	6	
79 C	PAUL MARE BONSMARA STOET	LMR 100303	LMR 060078	NS365	73	114	116	122	117	109	105	97	95	102	115	-	231	3 Maande dragtig van LMR 16-124
					3.87	19.5	-0.94	9.8	29.0	28.1	119	-40	5.5	3	34	-	9.6	
			LMR 070207	29.09.10	83	79	77	80	35	68	64	43	69	69	68	-	6	
80 A	PAUL MARE BONSMARA STOET	LMR 090043	LAR 030052	NS540	94	103	104	88	102	107	99	100	95	101	98	-	163	3 Maande dragtig van LMR 16-124
					1.68	14.8	-0.39	0.7	12.0	26.3	93	-46	5.9	2	11	-	11.2	
			LMR 030036	03.03.09	86	82	82	85	50	75	65	36	71	72	70	-	9	
80 B	PAUL MARE BONSMARA STOET	LMR 090017	LMR 050351	NS540	101	89	78	94	108	94	84	88	97	84	87	-	356	4 Maande dragtig van LMR 15-162
					0.89	8.3	0.80	2.2	18.0	17.7	20	-20	7.6	-11	-5	-	11.1	
			LMR 050391	01.04.09	86	82	81	85	44	70	61	42	67	68	66	-	8	


Lot 78C 4 Maande dragtig van LMR 16-124

<p>LMR 110313 SPN Mat. 89 OEK 34 TKP 375 RI 108 Oud/Kalw. 8/6 Gem. Si/Kalf 101/5</p>	<p>AG 030046 SPN Mat. 88</p>  <p>Elite-Goud LMR 060180</p>	<p>AG 980338 SPN Mat. 87</p> <p>AG 980123 OEK 26 SPN Mat. 105 TKP 461 Oud/Kalw. 15/11 Gem. Si/Kalf 107/10</p> <p>AG 020193 SPN Mat. 110</p> <p>PMB 020208 OEK 31 SPN Mat. 97 TKP 463 Oud/Kalw. 4/2 Gem. Si/Kalf 90/2</p>	<p>AG 930210 SPN Mat. 104 AG 920184 SPN Mat. 102 TBR 910704 SPN Mat. 77 AG 950323 SPN Mat. 90 AG 980338 SPN Mat. 87 AG 950001 SPN Mat. 118 NFS 960395 SPN Mat. 117 PMB 930013 SPN Mat. 92</p>
---	--	--	---


Lot 79A 4 Maande dragtig van LMR 15-162

<p>LMR 100321 SPN Mat. 83 OEK 36 TKP 366 RI 109 Oud/Kalw. 9/7 Gem. Si/Kalf 102/7</p>	<p>LMR 050108 SPN Mat. 69 Silver</p>  <p>LMR 040129</p>	<p>AG 970223 SPN Mat. 93</p> <p>LMR 980065 OEK 35 SPN Mat. 84 TKP 387 Oud/Kalw. 10/8 Gem. Si/Kalf 105/8</p> <p>AG 950204 SPN Mat. 43</p> <p>LMR 960059 OEK 30 SPN Mat. 108 TKP 429 Oud/Kalw. 11/8 Gem. Si/Kalf 100/8</p>	<p>AG 920046 SPN Mat. 123 AG 950001 SPN Mat. 118 AG 910241 SPN Mat. 65 LMR 940015 SPN Mat. 85 AG 930125 SPN Mat. 46 AG L 0032 SPN Mat. 76 AG 920098 SPN Mat. 80 LMR 930009 SPN Mat. 108</p>
---	--	--	---


Lot 79B 2 Maande dragtig van LMR 16-124

<p>LMR 100195 SPN Mat. 108 OEK 36 TKP 454 RI 94 Oud/Kalw. 9/6 Gem. Si/Kalf 100/5</p>	<p>AG 030256 SPN Mat. 86</p>  <p>LMR 000062</p>	<p>AG 980338 SPN Mat. 87</p> <p>AG 930063 OEK 30 SPN Mat. 100 TKP 387 Oud/Kalw. 16/14 Gem. Si/Kalf 104/13</p> <p>JHO 940077 SPN Mat. 104</p> <p>LMR 920096 OEK 29 SPN Mat. 102 TKP 365 Oud/Kalw. 9/8 Gem. Si/Kalf 100/8</p>	<p>AG 930210 SPN Mat. 104 AG 920184 SPN Mat. 102 AG K 0066 SPN Mat. 101 AG L 0017 SPN Mat. 102 GB 910009 SPN Mat. 94 JHO 910014 SPN Mat. 105</p> <p>SPN Mat. LMR 850069 SPN Mat. 98</p>
---	--	---	--


Lot 79C 3 Maande dragtig van LMR 16-124

<p>LMR 100303 SPN Mat. 122 OEK 35 TKP 439 RI 97 Oud/Kalw. 9/6 Gem. Si/Kalf 108/6</p>	<p>LMR 060078 SPN Mat. 98 Bron</p>  <p>LMR 070207</p>	<p>AG 020193 SPN Mat. 110</p> <p>LMR 980009 OEK 37 SPN Mat. 101 TKP 421 Oud/Kalw. 10/7 Gem. Si/Kalf 103/5</p> <p>LMR 040221 SPN Mat. 77 Bron</p> <p>LMR 040040 OEK 33 SPN Mat. 97 TKP 462 Oud/Kalw. 12/8 Gem. Si/Kalf 96/6</p>	<p>AG 980338 SPN Mat. 87 AG 950001 SPN Mat. 118 AG 920143 SPN Mat. 98 LMR 940058 SPN Mat. 99 BHE 990169 SPN Mat. 80 LMR 010253 SPN Mat. 94 AG 990017 SPN Mat. 99 LMR 970064 SPN Mat. 111</p>
---	--	--	--

Lot 80A 3 Maande dragtig van LMR 16-124

<p>LMR 090043 SPN Mat. 88 OEK 32 TKP 366 RI 113 Oud/Kalw. 11/9 Gem. Si/Kalf 100/8</p>	<p>LAR 030052 SPN Mat. 93</p>  <p>LMR 030036</p>	<p>AG 980338 SPN Mat. 87</p> <p>LAR 000319 OEK 33 SPN Mat. 96 TKP Oud/Kalw. 3/1 Gem. Si/Kalf 107/1</p> <p>PHR 000069 SPN Mat. 57</p> <p>LMR 980124 OEK 33 SPN Mat. 97 TKP 409 Oud/Kalw. 14/11 Gem. Si/Kalf 104/9</p>	<p>AG 930210 SPN Mat. 104 AG 920184 SPN Mat. 102 AG 960296 SPN Mat. 92 LAR 940075 SPN Mat. 82 PHR 920043 SPN Mat. 63 PHR 970131 SPN Mat. 77 JHO 940077 SPN Mat. 104 LMR 960036 SPN Mat. 96</p>
--	---	--	--

Lot 80B 4 Maande dragtig van LMR 15-162

<p>LMR 090017 SPN Mat. 94 OEK 38 TKP 362 RI 109 Oud/Kalw. 10/8 Gem. Si/Kalf 100/8</p>	<p>LMR 050351 SPN Mat. 100 Goud</p>  <p>LMR 050391</p>	<p>AG 970223 SPN Mat. 93</p> <p>LMR 970083 OEK 30 SPN Mat. 97 TKP 386 Oud/Kalw. 13/11 Gem. Si/Kalf 102/11</p> <p>ZAK 020012 SPN Mat. 99</p> <p>LMR 990004 OEK 37 SPN Mat. 112 TKP 395 Oud/Kalw. 10/7 Gem. Si/Kalf 104/7</p>	<p>AG 920046 SPN Mat. 123 AG 950001 SPN Mat. 118 AG 920098 SPN Mat. 80 LMR 930036 SPN Mat. 80 AG 960059 SPN Mat. 110 ZAK 960011 SPN Mat. 119 AG 920098 SPN Mat. 80 LMR 950026 SPN Mat. 119</p>
--	---	---	--


FEMALE ANIMALS

Lot	Seller	ID	PARENTS	Test	Breeding Value Indexes												Days Open	Breeder Own Remarks					
					SIRE GV PV	Genomic Tested	Birth Dir		Wean Dir		Birth Mat	Wean Mat	Mat Wgt	Post Wean		ADG			FCR	SC	Hgt	Lgt	LHR
							DNA	Acc	Acc	Acc	Acc	Acc	Acc	Acc	Acc	Acc			Acc	Acc	Acc	Acc	Acc
		Gen	DAM GV PV	Birth Date	Wgt kg	Wgt kg	Ind	kg	kg	kg	365d Ind	540d Ind	Ind	Ind	(mm)	(mm)	(mm)	WWR	Age	Calves			


Pregnant Cows

80 C	PAUL MARE BONSMARA STOET	LMR 090051 SP	AG 030026	PW540	95	95	83	78	107	91	87	97	82	84	88	-	236	3 Maande dragtig van LMR 16-124
					1.56	10.9	0.57	-2.3	17.0	15.5	37	-40	-4.4	-11	-3	-	11.1	
			LMR 970133	09.03.09	45													
81 A	PAUL MARE BONSMARA STOET	LMR 080009 SP	LAR 030357	PW365	93	101	117	69	130	110	106	106	102	101	98	-	408	4 Maande dragtig van FUZ 15-019
					1.74	13.6	-0.99	-4.6	42.0	28.4	121	-59	11.4	2	11	-	12.2	
			LMR 980187	02.03.08	38													
81 B	PAUL MARE BONSMARA STOET	LMR 080091 SP	LMR 040276	PW365	104	91	101	70	103	87	84	102	83	89	86	-	167	4 Maande dragtig van AG 09-751
					0.62	9.2	-0.24	-4.4	13.0	12.5	22	-51	-4.2	-7	-7	-	12.1	
			MCH 970027	29.03.08	38													
81 C	PAUL MARE BONSMARA STOET	LMR 090321 SP	LAR 050179	PW540	101	112	96	82	116	118	111	105	97	96	105	-	592	4 Maande dragtig van LMR 15-162
					0.94	18.5	-0.01	-1.0	27.0	34.1	144	-57	7.5	-2	20	-	10.7	
			LMR 020143	31.08.09	37													
82 A	PAUL MARE BONSMARA STOET	LMR 070313 SP	AG 020193	PW540	97	85	129	68	91	87	91	104	82	81	80	-	223	4 Maande dragtig van LMR 16-124
					1.37	6.5	-1.50	-5.1	0.0	12.9	55	-55	-4.6	-13	-14	-	13.1	
			LMR 030257	27.03.07	32													
82 B	PAUL MARE BONSMARA STOET	LMR 080163 SP	LMR 020148	PW365	89	94	87	116	83	88	94	110	87	95	97	-	178	4 Maande dragtig van LMR 16-124
					2.18	10.7	0.41	8.1	-9.0	13.5	67	-67	-0.8	-3	9	-	12	
			AG 010266	24.04.08	36													


Lot 80C 3 Maande dragtig van LMR 16-124

<p>LMR 090051 SPN Mat. 78 AFC 39 ICP 379 RI 105 Age/Calv. 10/8 Avg. WI/Calf 99/8</p>	<p>AG 030026 SPN Mat. 67</p>  <p>LMR 970133 SPN Mat. 112 Age/Calv. 14/11 Avg. WI/Calf 105/9</p>	<p>AG 980338 SPN Mat. 87</p> <p>AG 930049 AFC 30 SPN Mat. 80 ICP 375 Age/Calv. 18/13 Avg. WI/Calf 100/11</p> <p>TLB J 0030 SPN Mat. 103</p> <p>LMR 940070 AFC 31 SPN Mat. 104 ICP 457 Age/Calv. 8/5 Avg. WI/Calf 99/5</p>	<p>AG 930210 SPN Mat. 104</p> <p>AG 920184 SPN Mat. 102</p> <p>AG K 0066 SPN Mat. 101</p> <p>AG L 0067 SPN Mat. 53</p> <p>PN Y 0015 SPN Mat. 65</p> <p>TLB B 0011 SPN Mat. 99</p> <p>LDW L 0160 SPN Mat. 99</p> <p>LMR 840010 SPN Mat. 93</p>
---	--	---	---


Lot 81A 4 Maande dragtig van FUZ 15-019

<p>LMR 080009 SPN Mat. 69 AFC 37 ICP 365 RI 110 Age/Calv. 11/9 Avg. WI/Calf 95/8</p>	<p>LAR 030357 SPN Mat. 66</p>  <p>LMR 980187 SPN Mat. 106 Age/Calv. 11/8 Avg. WI/Calf 104/7</p>	<p>LAR 010110 SPN Mat. 67</p> <p>LAR 990342 AFC 33 SPN Mat. 84 ICP 381 Age/Calv. 8/6 Avg. WI/Calf 96/6</p> <p>JHO 940077 SPN Mat. 104</p> <p>LMR 960004 AFC 30 SPN Mat. 109 ICP 535 Age/Calv. 4/2 Avg. WI/Calf 100/2</p>	<p>AG 920097 SPN Mat. 49</p> <p>LAR 970251 SPN Mat. 111</p> <p>VV 960318 SPN Mat. 76</p> <p>LAR 930127 SPN Mat. 101</p> <p>GB 910009 SPN Mat. 94</p> <p>JHO 910014 SPN Mat. 105</p> <p>TLB J 0030 SPN Mat. 103</p> <p>LMR 920079 SPN Mat. 122</p>
---	--	--	---


Lot 81B 4 Maande dragtig van AG 09-751

<p>LMR 080091 SPN Mat. 70 AFC 36 ICP 395 RI 105 Age/Calv. 12/9 Avg. WI/Calf 95/9</p>	<p>LMR 040276 SPN Mat. 83 Gold</p>  <p>MCH 970027 SPN Mat. 81 Age/Calv. 15/12 Avg. WI/Calf 96/11</p>	<p>LMR 990169 SPN Mat. 67 Silver</p> <p>LMR 970042 AFC 35 SPN Mat. 102 ICP 470 Age/Calv. 9/6 Avg. WI/Calf 100/4</p> <p>JH 910266 SPN Mat. 91</p> <p>IVY L 0021 AFC 30 SPN Mat. 81 ICP 363 Age/Calv. 11/10 Avg. WI/Calf 97/9</p>	<p>AG 950204 SPN Mat. 43</p> <p>LMR 960130 SPN Mat. 116</p> <p>AG 920143 SPN Mat. 98</p> <p>LMR 920022 SPN Mat. 108</p> <p>JH H 0015 SPN Mat. 94</p> <p>JH H 0024 SPN Mat. 120</p> <p>DOARC 0246 SPN Mat. 99</p> <p>IVY D 0007 SPN Mat. 103</p>
---	--	--	---


Lot 81C 4 Maande dragtig van LMR 15-162

<p>LMR 090321 SPN Mat. 82 AFC 36 ICP 367 RI 109 Age/Calv. 9/7 Avg. WI/Calf 97/5</p>	<p>LAR 050179 SPN Mat. 91</p>  <p>LMR 020143 SPN Mat. 81 Age/Calv. 14/11 Avg. WI/Calf 102/10</p>	<p>LAR 010297 SPN Mat. 71</p> <p>LAR 950050 AFC 33 SPN Mat. 153 ICP 433 Age/Calv. 19/15 Avg. WI/Calf 111/14</p> <p>AG 980033 SPN Mat. 67</p> <p>NFS 960153 AFC 29 SPN Mat. 80 ICP 383 Age/Calv. 10/8 Avg. WI/Calf 95/7</p>	<p>AG 920097 SPN Mat. 49</p> <p>LAR 960332 SPN Mat. 113</p> <p>AG N 0081 SPN Mat. 70</p> <p>LAR 920117 SPN Mat. 152</p> <p>TBR 910704 SPN Mat. 77</p> <p>AG 950044 SPN Mat. 103</p> <p>NFS 920137 SPN Mat. 106</p> <p>NFS 900204 SPN Mat. 75</p>
--	---	--	--

Lot 82A 4 Maande dragtig van LMR 16-124

<p>LMR 070313 SPN Mat. 68 AFC 38 ICP 379 RI 107 Age/Calv. 12/10 Avg. WI/Calf 95/9</p>	<p>AG 020193 SPN Mat. 110</p>  <p>LMR 030257 SPN Mat. 61 Age/Calv. 8/6 Avg. WI/Calf 95/6</p>	<p>AG 980338 SPN Mat. 87</p> <p>AG 950001 AFC 31 SPN Mat. 118 ICP 365 Age/Calv. 14/12 Avg. WI/Calf 106/10</p> <p>AEJ 970082 SPN Mat. 80</p> <p>LMR 990148 AFC 38 SPN Mat. 79 ICP 401 Age/Calv. 13/10 Avg. WI/Calf 98/9</p>	<p>AG 930210 SPN Mat. 104</p> <p>AG 920184 SPN Mat. 102</p> <p>GB N 0004 SPN Mat. 114</p> <p>AG L 0098 SPN Mat. 103</p> <p>AEJ 940063 SPN Mat. 126</p> <p>AEJ 950040 SPN Mat. 61</p> <p>JHO 940077 SPN Mat. 104</p> <p>LMR 960037 SPN Mat. 73</p>
--	---	--	---

Lot 82B 4 Maande dragtig van LMR 16-124

<p>LMR 080163 SPN Mat. 116 AFC 39 ICP 431 RI 96 Age/Calv. 12/8 Avg. WI/Calf 103/7</p>	<p>LMR 020148 SPN Mat. 123 Bronze</p>  <p>AG 010266 SPN Mat. 101 Age/Calv. 9/5 Avg. WI/Calf 99/5</p>	<p>LMR 990165 SPN Mat. 109 Silver</p> <p>LMR 960116 AFC 36 SPN Mat. 114 ICP 405 Age/Calv. 10/7 Avg. WI/Calf 103/4</p> <p>AG 980338 SPN Mat. 87</p> <p>AG 950102 AFC 35 SPN Mat. 98 ICP 396 Age/Calv. 11/8 Avg. WI/Calf 102/8</p>	<p>LMR 940078 SPN Mat. 107</p> <p>LMR 950057 SPN Mat. 104</p> <p>TLB J 0030 SPN Mat. 103</p> <p>LMR 900045 SPN Mat. 132</p> <p>AG 930210 SPN Mat. 104</p> <p>AG 920184 SPN Mat. 102</p> <p>AG 910130 SPN Mat. 94</p> <p>AG 910027 SPN Mat. 98</p>
--	--	---	---

VROULIKE DIERE

Lot	Verkoper	ID POENA Gen	OUERS VADER GV OV MOEDER GV OV	Toets Genomies Getoets DNS Geb. dat.	DIREKTE KALF EIENSKAPPE		DOGTER EIENSKAPPE			GROEI		DOEL	REP	MATES			V:	Dae Oop	Gebruiker Eie Opmerkings				
					Nageslag Geboorte- gewig	Nageslag Speengewig	Gemak van Kalwing	Melk prod.	Volwas- se Gewig	Naspeen- gewig	Daaglikse Toename			Voer- omset	Hoogte & Lengte								
					Geb Dir	Speen Dir	Geb Mat	Speen Mat	Volw Gew	Naspeen	GDT			VOV	SO	Hgt				Lgt	LHV		
Teelwaarde indekse																	Oud	Kalwers					
															GGV	-							
															SGV								
															365d Ind	540d Ind	Ind	Ind	(mm)	(mm)	(mm)		

Dragtige Koeie

82 C	PAUL MARE BONSMARA STOET	LMR 080461 SP	AG 010258	NS365	81	114	105	105	88	105	99	102	96	91	103	-	245	4 Maande dragtig van LMR 16-124
					3.06	19.7	-0.41	5.3	-3.0	25.0	93	-50	6.2	-5	18	-	11.5	
			AG 980123	28.10.08	39													
83 A	PAUL MARE BONSMARA STOET	HT 100093 P A		-	111	84	89	100	-	87	-	-	-	-	-	-	228	3 Maande dragtig van PIK 17-050
					-0.13	6.2	0.31	3.9	-	12.5	-	-	-	-	-	-	9.5	
				12.11.10	-													
83 B	PAUL MARE BONSMARA STOET	HT 100010 P A		-	105	97	97	136	-	99	98	-	108	113	117	-	245	3 Maande dragtig van PIK 17-050
					0.44	11.8	-0.04	13.7	-	21.2	85	-	16.1	12	37	-	9.5	
				10.11.10	-													
83 C	PAUL MARE BONSMARA STOET	HT 100017 P A		-	109	91	96	124	99	94	99	-	103	110	109	-	159	3 Maande dragtig van PIK 17-050
					0.08	9.3	-0.01	10.3	9.0	17.2	89	-	12.1	10	26	-	9.5	
				10.11.10	-													
84 A	PAUL MARE BONSMARA STOET	JPL 100040 PH SP	JPL 060105	NS365	89	125	106	62	98	114	107	104	121	116	107	-	246	4 Maande dragtig van PIK 17-050
			P	DNS	2.17	24.5	-0.49	-6.6	8.0	31.6	126	-55	26.0	14	23	6.29	9.6	
			JPL 010050	06.09.10	36													
84 B	PAUL MARE BONSMARA STOET	JMP 090294 PH SP	JMP 040144	NS365	89	102	100	97	109	104	95	93	80	108	100	-	247	4 Maande dragtig van PIK 17-050
			<input checked="" type="checkbox"/>	DNS	2.20	14.3	-0.21	3.0	19.0	24.7	73	-32	-6.1	8	14	5.14	10.6	
			JMP 030269	24.09.09	34													

Lot 82C 4 Maande dragtig van LMR 16-124

 Elite-Goud EMR 080461 SPN Mat. 105 OEK 35 TKP 363 RI 112 Oud/Kalw. 11/9 Gem. Si/Kalf 102/9	 AG 010258 SPN Mat. 95	 AG 980338 SPN Mat. 87	 AG 950251 SPN Mat. 109 Oud/Kalw. 15/11 Gem. Si/Kalf 100/9 TBR 910704 SPN Mat. 77	AG 930210 SPN Mat. 104 AG 920184 SPN Mat. 102 GB N 0004 SPN Mat. 114 AG 910100 SPN Mat. 111 TBR K 0694 SPN Mat. 97 AE H 0188 SPN Mat. 71 AG 920127 SPN Mat. 79 AG 920180 SPN Mat. 97

Lot 83A 3 Maande dragtig van PIK 17-050

HT 100093 P SPN Mat. 100 OEK * TKP 388 RI 111 Oud/Kalw. */7 Gem. Si/Kalf 98/7	 SPN Mat.	OEK TKP RI	SPN Mat. Oud/Kalw. / Gem. Si/Kalf /	SPN Mat. SPN Mat. SPN Mat. SPN Mat. SPN Mat. SPN Mat.

Lot 83B 3 Maande dragtig van PIK 17-050

HT 100010 P SPN Mat. 136 OEK * TKP 397 RI 109 Oud/Kalw. */7 Gem. Si/Kalf 108/7	 SPN Mat.	OEK TKP RI	SPN Mat. Oud/Kalw. / Gem. Si/Kalf /	SPN Mat. SPN Mat. SPN Mat. SPN Mat. SPN Mat. SPN Mat.

Lot 83C 3 Maande dragtig van PIK 17-050

HT 100017 P SPN Mat. 124 OEK * TKP 477 RI 90 Oud/Kalw. */6 Gem. Si/Kalf 105/6	 SPN Mat.	OEK TKP RI	SPN Mat. Oud/Kalw. / Gem. Si/Kalf /	SPN Mat. SPN Mat. SPN Mat. SPN Mat. SPN Mat. SPN Mat.

Lot 84A 4 Maande dragtig van PIK 17-050

JPL 100040 SPN Mat. 62 OEK 26 TKP 414 RI 109 Oud/Kalw. 9/7 Gem. Si/Kalf 99/5	 JPL 060105 P SPN Mat. 58 Silver	OEK 31 TKP 424	SPN Mat. 100 Oud/Kalw. 15/11 Gem. Si/Kalf 107/8 LA 970277 SPN Mat. 44	JJF 010102 P SPN Mat. 112 JPL 000070 SPN Mat. 105 JPL 990077 P SPN Mat. 80 NFS 910025 P SPN Mat. 108 AG 920153 SPN Mat. 92 LA 940145 SPN Mat. 96 HJB 950155 SPN Mat. 95 RE 900548 SPN Mat. 66

Lot 84B 4 Maande dragtig van PIK 17-050

JMP 090294 SPN Mat. 97 OEK 25 TKP 411 RI 111 Oud/Kalw. 10/8 Gem. Si/Kalf 99/7	 JMP 040144 SPN Mat. 93 Silver	OEK 24 TKP 482	SPN Mat. 94 Oud/Kalw. 13/9 Gem. Si/Kalf 101/8 FCT 970024 SPN Mat. 92	RGR 940038 SPN Mat. 93 RGR 960142 SPN Mat. 92 GID 930005 SPN Mat. 122 DV 940373 SPN Mat. 70 LEL 900027 SPN Mat. 74 JVD 910053 SPN Mat. 108




FEMALE ANIMALS

Lot	Seller	ID	PARENTS	Test	Breeding Value Indexes											LHR	Days Open	Breeder Own Remarks	
					DIRECT CALF TRAITS		DAUGHTER TRAITS			GROWTH		EFF.	REP	MEASURE-MENTS					R:
POLLED	SIRE GV PV	Genomic Tested	DNA	Birth Dir	Wean Dir		Birth Mat	Wean Mat	Mat Wgt	Post Wean		ADG	FCR	SC	Hgt	Lgt	WWR		Age
					Progeny Birth Weight	Progeny Wean Weight				Ease of Calving	Milk prod.								



Pregnant Cows

84 C	PAUL MARE BONSMARA STOET	JPL 060058 PH SP	JPL 040139	PW365	109	95	89	103	116	93	92	97	125	101	96	-	202	4 Maande dragtig van PIK 17-050
			P	DNA	0.05	11.0	0.31	4.8	27.0	16.6	60	-40	29.2	2	8	8.58	13.6	
			JPL 040009	25.09.06	88	85	86	89	75	74	67	43	73	74	72	47.3	12	
85 A	PAUL MARE BONSMARA STOET	JPL 110045 PH SP	GZV 050023	PW365	111	104	92	114	110	106	105	101	120	110	108	-	218	4 Maande dragtig van PIK 17-050
			P	DNA	-0.16	14.9	0.19	7.7	20.0	25.9	118	-47	25.6	9	25	5.92	8.6	
			JPL 060054	30.09.11	84	78	78	76	66	64	61	29	66	67	65	38.8	6	
85 B	PAUL MARE BONSMARA STOET	SGL 080001 PH SP	CEG 050056	PW365	79	108	102	126	108	115	127	115	111	120	116	-	205	3 Maande dragtig van PIK 17-050
			P	DNA	3.21	17.1	-0.29	11.1	18.0	31.8	217	-78	18.6	18	37	-	12.1	
			MBT 050106	20.03.08	82	81	81	85	59	69	62	47	68	69	67	-	9	
85 C	PAUL MARE BONSMARA STOET	MPE 090003 PH B	JMP 030268	PW540	108	86	86	70	124	87	82	94	98	97	89	-	241	3 Maande dragtig van PIK 17-050
			<input checked="" type="checkbox"/>	DNA	0.17	7.0	0.43	-4.4	36.0	12.5	14	-33	8.3	-1	-2	6.47	10.9	
			MPE 040018	08.06.09	85	79	81	82	56	64	59	42	64	65	63	38.9	9	
86 A	PAUL MARE BONSMARA STOET	JHL 100063 SP	KAN 060085	PW540	99	95	96	92	95	100	98	96	101	110	108	-	229	3 Maande dragtig van LFR 16-068
			P	DNA	1.08	11.2	-0.01	1.6	4.0	21.9	86	-38	10.2	10	25	-	9.8	
			JHL 070107	26.06.10	82	77	75	79	59	70	58	23	63	64	62	-	6	
86 B	PAUL MARE BONSMARA STOET	JL 110064 SP	MMJ 070144	PW365	96	92	80	126	121	96	111	107	112	108	105	-	251	3 Maande dragtig van LMR 15-162
			P	DNA	1.50	9.6	0.73	11.0	32.0	18.7	146	-62	18.8	8	21	-	9	
			MMJ 050093	17.05.11	84	79	78	79	62	70	55	32	57	58	57	-	6	


Lot 84C 4 Maande dragtig van PIK 17-050

 Elite-Bronze JPL 060058 SPN Mat. 103 AFC 26 ICP 362 RI 118 Age/Calv. 13/12 Avg. WI/Calf 105/12	V JPL 040139 P SPN Mat. 81 Gold 	 Elite-Gold JPL 000070 AFC 36 SPN Mat. 105 ICP 365 Age/Calv. 14/12 Avg. WI/Calf 105/11 BIS 980106 P SPN Mat. 81 JPL 910075 AFC 31 SPN Mat. 145 ICP 400 Age/Calv. 15/12 Avg. WI/Calf 107/12	JJF 970098 P SPN Mat. 92 JJF 960010 SPN Mat. 102 NFS 960344 SPN Mat. 111 JPL 960024 SPN Mat. 93 BIS 920008 SPN Mat. 70 BIS 940083 SPN Mat. 90 SAS E 0078 SPN Mat. 114 JPL J 0500 P SPN Mat. 116



Lot 85A 4 Maande dragtig van PIK 17-050

JPL 110045 SPN Mat. 114 AFC 25 ICP 433 RI 108 Age/Calv. 8/6 Avg. WI/Calf 111/5	 Elite-Gold GZV 050023 SPN Mat. 98 	T 970045 SPN Mat. 128 GZV 020002 AFC 25 SPN Mat. 92 ICP 383 Age/Calv. 10/9 Avg. WI/Calf 101/8 JPL 040139 P SPN Mat. 81 Gold JPL 040012 AFC 29 SPN Mat. 91 ICP 390 Age/Calv. 12/10 Avg. WI/Calf 98/9	VV 920283 SPN Mat. 100 T 930061 SPN Mat. 134 JRB 970047 SPN Mat. 92 KHB 930162 SPN Mat. 84 JJF 010102 P SPN Mat. 112 JPL 000070 SPN Mat. 105 BIS 980106 P SPN Mat. 81 JPL 960016 SPN Mat. 95


Lot 85B 3 Maande dragtig van PIK 17-050

SGL 080001 SPN Mat. 126 AFC 30 ICP 413 RI 106 Age/Calv. 12/9 Avg. WI/Calf 109/9	V CEG 050056 SPN Mat. 99 Gold 	FCT 970024 SPN Mat. 92 CEG 990151 AFC 35 SPN Mat. 108 ICP 415 Age/Calv. 7/5 Avg. WI/Calf 105/5 CEG 020002 SPN Mat. 132 CEG 020202 AFC 30 SPN Mat. 124 ICP 401 Age/Calv. 8/6 Avg. WI/Calf 108/6	LEL 900027 SPN Mat. 74 JVD 910053 SPN Mat. 108 CEG 950019 SPN Mat. 105 CEG 900026 SPN Mat. 101 CEG 960076 SPN Mat. 133 CEG 980210 SPN Mat. 108 SAS 990302 SPN Mat. 104 CEG 990096 SPN Mat. 116



Lot 85C 3 Maande dragtig van PIK 17-050

MPE 090003 SPN Mat. 70 AFC 26 ICP 368 RI 117 Age/Calv. 10/9 Avg. WI/Calf 95/8	 V JMP 030268 SPN Mat. 87 Gold 	GBS 990089 SPN Mat. 87 JMP 000266 P AFC * SPN Mat. 111 ICP Age/Calv. */8 Avg. WI/Calf 102/7 SPN Mat. SPN Mat. SPN Mat. SPN Mat. SPN Mat.	GBS 950076 SPN Mat. 94 GBS 930105 SPN Mat. 89 GID 930005 SPN Mat. 122 LTS 900033 SPN Mat. 93

Lot 86A 3 Maande dragtig van LFR 16-068

JHL 100063 SPN Mat. 92 AFC 29 ICP 496 RI 94 Age/Calv. 9/6 Avg. WI/Calf 98/5	KAN 060085 SPN Mat. 95 	VV 020258 SPN Mat. 106 VV 940129 SPN Mat. 96 V 980247 SPN Mat. 98 KAN 980094 SPN Mat. 84 DNT 920232 SPN Mat. 107 DNT 940142 SPN Mat. 118 DNT 980035 SPN Mat. 118 JHL 980367 SPN Mat. 90	VV 990318 SPN Mat. 106 VV 940129 SPN Mat. 96 V 980247 SPN Mat. 98 KAN 980094 SPN Mat. 84 DNT 920232 SPN Mat. 107 DNT 940142 SPN Mat. 118 DNT 980035 SPN Mat. 118 JHL 980367 SPN Mat. 90

Lot 86B 3 Maande dragtig van LMR 15-162

JL 110064 SPN Mat. 126 AFC 33 ICP 400 RI 105 Age/Calv. 8/6 Avg. WI/Calf 108/5	 V MMJ 070144 SPN Mat. 148 	BHE 030083 SPN Mat. 86 Gold MMJ 000221 AFC 36 SPN Mat. 155 ICP 366 Age/Calv. 9/7 Avg. WI/Calf 113/7 MMJ 000352 SPN Mat. 97 Gold MMJ 980187 AFC 29 SPN Mat. 97 ICP 397 Age/Calv. 8/6 Avg. WI/Calf 96/4	RCO 980037 SPN Mat. 67 BHE 990076 SPN Mat. 113 VV 940061 SPN Mat. 111 MMJ 920240 SPN Mat. 123 AG 960059 SPN Mat. 110 MMJ 900299 SPN Mat. 119 MMJ 940335 SPN Mat. 106 MMJ L 0361 SPN Mat. 97


VROULIKE DIERE

Lot	Verkoper	ID	OUERS	Toets	Teelwaarde indekse											Dae Oop	Gebruiker Eie Opmerkings		
					VADER GV OV	Genomies Getoets	Geb Dir	Speen Dir	Geb Mat	Speen Mat	Volwas- se Gewig	Naspeen	GDT	VOV	SO			Hgt	Lgt
		POENA	MOEDER GV OV	DNS	Akk	Akk	Akk	Akk	Akk	Akk	Akk	Akk	Akk	Akk	Akk	Akk	GGV	Oud	
		Gen	Geb. dat.		Gew kg	Gew kg	Ind	kg	kg	kg	365d Ind	540d Ind	Ind	Ind	(mm)	(mm)	(mm)	SGV	Kalwers


Dragtige Koeie

86 C	PAUL MARE BONSMARA STOET	TEW 110074 SP	TEW 080059	NS540	101	101	99	117	102	105	105	99	102	122	116	-	385	3 Maande dragtig van FUZ 15-019
					0.95	13.5	-0.17	8.5	12.0	25.2	116	-45	10.8	20	36	6.73	8.5	
			TEW 030010	31.10.11	37													
87 A	PAUL MARE BONSMARA STOET	TEW 140070 SP	TEW 110076	NS540	86	103	90	86	99	104	96	97	93	93	96	-	222	3 Maande dragtig van ABM 16-106
					2.53	14.4	0.27	-0.1	9.0	24.2	78	-40	4.2	-4	9	6.73	5.5	
			TEW 060029	14.11.14	38													
87 B	PAUL MARE BONSMARA STOET	WBB 140178 SP	PAD 100014	NS540	83	117	107	105	114	114	106	105	116	105	106	-	196	3 Maande dragtig van FUZ 15-019
					2.78	21.1	-0.51	5.1	25.0	31.1	122	-57	22.4	6	23	-	5.6	
			WBB 100253	02.10.14	35													
88 A	PAUL MARE BONSMARA STOET	LMR 100053 SP	LAR 050179	NS540	102	102	95	96	107	96	99	94	95	92	102	-	167	3 Maande dragtig van LMR 16-124
					0.82	14.0	0.02	2.7	18.0	19.0	89	-33	6.0	-5	17	-	10.1	
			LMR 990102	19.03.10	35													
88 B	PAUL MARE BONSMARA STOET	LMR 100081 SP	AG 020172	NS540	90	93	114	101	98	88	102	102	102	91	98	-	178	2 Maande dragtig van AG 09-751
					2.04	9.9	-0.82	4.2	8.0	13.6	105	-50	10.9	-5	10	-	10.1	
			PMB 020075	30.03.10	40													
88 C	PAUL MARE BONSMARA STOET	LMR 100283 SP	LMR 020173	NS365	101	103	107	108	128	104	101	95	110	102	109	-	146	2 Maande dragtig van LMR 15-162
					0.89	14.5	-0.51	6.0	40.0	24.4	100	-35	17.7	3	27	-	9.6	
			LMR 060207	20.09.10	41													


Lot 86C 3 Maande dragtig van FUZ 15-019

<p>TEW 110074 SPN Mat. 117 OEK 37 TKP 398 RI 101 Oud/Kalw. 7/5 Gem. Si/Kalf 104/5</p>	<p>TEW 080059 SPN Mat. 110</p>  <p>TEW 030010 Elite-Goud</p>	<p>TEW 040067 SPN Mat. 62</p> <p>TEW 030091 Elite-Goud</p> <p>OEK 35 SPN Mat. 127 TKP 369 Oud/Kalw. 12/10 Gem. Si/Kalf 103/9</p> <p>ZAK 960043 SPN Mat. 97</p> <p>TEW 000067 SPN Mat. 100 Oud/Kalw. 5/3 Gem. Si/Kalf 106/3</p>	<p>MMJ 000229 SPN Mat. 107</p> <p>ROC 980159 SPN Mat. 101</p> <p>T 000081 SPN Mat. 105</p> <p>TEW 970029 SPN Mat. 119</p> <p>ASE 910082 SPN Mat. 99</p> <p>ZAK 920049 SPN Mat. 92</p> <p>TEW 960022 SPN Mat. 108</p> <p>TEW 910036 SPN Mat. 68</p>
--	---	--	--


Lot 87A 3 Maande dragtig van ABM 16-106

<p>TEW 140070 SPN Mat. 86</p> <p>OEK 28 TKP 465 RI 105 Oud/Kalw. 5/3 Gem. Si/Kalf 93/3</p>	<p>TEW 110076 SPN Mat. 98</p>  <p>TEW 060029</p>	<p>LAR 060451 SPN Mat. 102</p> <p>OEK 28 SPN Mat. 101 TKP 478 Oud/Kalw. 6/4 Gem. Si/Kalf 102/3</p> <p>TEW 060081 SPN Mat. 65</p> <p>ROC 980095 SPN Mat. 111 Oud/Kalw. 12/9 Gem. Si/Kalf 104/8</p>	<p>LAR 030059 SPN Mat. 145</p> <p>LAR 990033 SPN Mat. 69</p> <p>TEW 040037 SPN Mat. 102</p> <p>ROC 960176 SPN Mat. 101</p> <p>SAS 980132 SPN Mat. 43</p> <p>TEW 990020 SPN Mat. 118</p> <p>GOT 910033 SPN Mat. 99</p> <p>ROC 930174 SPN Mat. 97</p>
---	---	--	---


Lot 87B 3 Maande dragtig van FUZ 15-019

<p>WBB 140178 SPN Mat. 105 OEK 32 TKP 440 RI 102 Oud/Kalw. 5/3 Gem. Si/Kalf 98/2</p>	<p>PAD 100014 SPN Mat. 95</p>  <p>WBB 100253 Elite-Brons</p>	<p>CSW 010014 SPN Mat. 94</p> <p>CEF 980117 OEK 32 SPN Mat. 106 TKP 400 Oud/Kalw. 17/14 Gem. Si/Kalf 106/13</p> <p>AG 030256 SPN Mat. 86</p> <p>DV 040197 SPN Mat. 114 Oud/Kalw. 7/4 Gem. Si/Kalf 103/4</p>	<p>BG 960125 SPN Mat. 100</p> <p>CSW 980048 SPN Mat. 112</p> <p>CEF 950315 SPN Mat. 82</p> <p>CEF 950131 SPN Mat. 112</p> <p>AG 980338 SPN Mat. 87</p> <p>AG 930063 SPN Mat. 100</p> <p>DV 970331 SPN Mat. 101</p> <p>BHE 980041 SPN Mat. 112</p>
---	---	---	---


Lot 88A 3 Maande dragtig van LMR 16-124

<p>LMR 100053 SPN Mat. 96</p> <p>OEK 38 TKP 395 RI 102 Oud/Kalw. 10/7 Gem. Si/Kalf 103/6</p>	<p>LAR 050179 SPN Mat. 91</p>  <p>LMR 990102</p>	<p>LAR 010297 SPN Mat. 71</p> <p>OEK 33 SPN Mat. 153 TKP 433 Oud/Kalw. 19/15 Gem. Si/Kalf 111/14</p> <p>AG 910241 SPN Mat. 65</p> <p>LMR 920009 SPN Mat. 127 Oud/Kalw. 13/10 Gem. Si/Kalf 107/9</p>	<p>AG 920097 SPN Mat. 49</p> <p>LAR 960332 SPN Mat. 113</p> <p>AG N 0081 SPN Mat. 70</p> <p>LAR 920117 SPN Mat. 152</p> <p>AG L 0165 SPN Mat. 86</p> <p>AG N 0061 SPN Mat. 86</p> <p>RE K 0328 SPN Mat. 116</p> <p>LMR 0082 SPN Mat. 93</p>
---	---	--	---

Lot 88B 2 Maande dragtig van AG 09-751

<p>LMR 100081 SPN Mat. 101 OEK 34 TKP 409 RI 103 Oud/Kalw. 10/7 Gem. Si/Kalf 97/6</p>	<p>AG 020172 SPN Mat. 74</p>  <p>PMB 020075</p>	<p>AG 980311 SPN Mat. 88</p> <p>AG 980128 OEK 24 SPN Mat. 106 TKP 404 Oud/Kalw. 14/12 Gem. Si/Kalf 101/12</p> <p>NFS 980053 SPN Mat. 113 Brons</p> <p>PMB 990185 OEK 31 SPN Mat. 113 TKP 540 Oud/Kalw. 4/2 Gem. Si/Kalf 94/2</p>	<p>AG 950059 SPN Mat. 102</p> <p>AG 940185 SPN Mat. 96</p> <p>TBR 910704 SPN Mat. 77</p> <p>AG 930209 SPN Mat. 127</p> <p>NFS 920137 SPN Mat. 106</p> <p>NFS 910239 SPN Mat. 86</p> <p>NFS 930223 SPN Mat. 103</p> <p>PMB 950354 SPN Mat. 117</p>
--	--	--	---

Lot 88C 2 Maande dragtig van LMR 15-162

<p>LMR 100283 SPN Mat. 108</p> <p>OEK 36 TKP 380 RI 107 Oud/Kalw. 9/7 Gem. Si/Kalf 105/4</p>	<p>LMR 020173 SPN Mat. 115 Goud</p>  <p>LMR 060207</p>	<p>AG 970223 SPN Mat. 93</p> <p>OEK 27 SPN Mat. 125 TKP 387 Oud/Kalw. 4/3 Gem. Si/Kalf 112/3</p> <p>LMR 020067 SPN Mat. 107 Goud</p> <p>LMR 030010 OEK 35 SPN Mat. 121 TKP 411 Oud/Kalw. 13/10 Gem. Si/Kalf 104/9</p>	<p>AG 920046 SPN Mat. 123</p> <p>AG 950001 SPN Mat. 118</p> <p>LMR 940078 SPN Mat. 107</p> <p>LMR 950043 SPN Mat. 120</p> <p>LMR 940078 SPN Mat. 107</p> <p>LMR 960068 SPN Mat. 132</p> <p>AG 990017 SPN Mat. 99</p> <p>LMR 960046 SPN Mat. 122</p>
---	---	--	---


FEMALE ANIMALS

Lot	Seller	ID	PARENTS	Test	Breeding Value Indexes												Days Open	Breeder Own Remarks					
					SIRE GV PV	Genomic Tested	Birth Dir		Wean Dir		Birth Mat	Wean Mat	Mat Wgt	Post Wean		ADG			FCR	SC	Hgt	Lgt	LHR
							DNA	Acc	Acc	Acc	Acc	Acc	Acc	Acc	Acc	Acc			Acc	Acc	Acc	Acc	Acc
		Gen	DAM GV PV	Birth Date	Wgt kg	Wgt kg	Ind	kg	kg	kg	365d Ind	540d Ind	Ind	Ind	(mm)	(mm)	(mm)	WWR	Age	Calves			


Pregnant Cows

89 A	PAUL MARE BONSMARA STOET	LMR 090221 SP	LMR 060150	PW540	114	93	118	101	84	79	78	100	86	79	82	-	224	3 Maande dragtig van AG 09-751
				DNA	-0.51	10.0	-1.03	4.2	-8.0	7.4	-3	-47	-1.8	-16	-11	-	10.7	
			LMR 060259	11.08.09	85	82	80	83	48	74	67	44	72	73	71	-	7	
89 B	PAUL MARE BONSMARA STOET	LMR 090323 SP	LAR 050179	PW540	110	100	84	98	118	105	98	100	100	89	104	-	231	4 Maande dragtig van LMR 14-216
					0.00	13.3	0.54	3.3	29.0	25.0	86	-46	9.9	-7	19	-	10.6	
			LMR 010255	11.09.09	84	81	79	82	47	72	68	33	73	74	72	-	7	
89 C	PAUL MARE BONSMARA STOET	LMR 090251 SP	RGR 050028	PW540	99	91	90	110	109	101	90	92	108	92	96	-	241	3 Maande dragtig van LMR 14-216
					1.14	9.2	0.27	6.5	19.0	22.2	50	-30	15.9	-5	7	-	10.6	
			LMR 070315	26.09.09	85	81	80	83	45	75	54	30	57	57	56	-	8	
90 A	PAUL MARE BONSMARA STOET	LMR 090339 SP	LAR 050179	PW540	99	106	106	71	111	110	107	93	116	101	110	-	228	4 Maande dragtig van LMR 16-124
					1.12	16.1	-0.45	-4.2	21.0	28.9	126	-32	22.0	2	28	-	10.7	
			JBR 030082	02.09.09	86	82	82	85	50	76	66	25	71	72	70	-	8	
90 B	PAUL MARE BONSMARA STOET	LMR 090375 SP	LMR 030096	PW540	112	89	127	55	99	85	87	98	82	78	80	-	234	3 Maande dragtig van LMR 16-124
					-0.23	8.3	-1.44	-8.7	9.0	11.3	34	-41	-4.9	-16	-14	-	10.5	
			LMR 040302	26.10.09	85	80	81	83	53	72	67	45	72	73	71	-	8	
90 C	PAUL MARE BONSMARA STOET	LMR 090169 SP	LMR 030096	PW540	83	105	113	87	115	102	110	108	107	121	110	-	207	3 Maande dragtig van AG 09-751
					2.79	15.5	-0.77	0.2	26.0	23.2	142	-64	15.5	19	28	-	11	
			LMR 040097	20.04.09	85	81	81	84	60	74	63	45	67	68	66	-	8	


Lot 89A 3 Maande dragtig van AG 09-751

<p>LMR 090221 SPN Mat. 101 AFC 37 ICP 428 RI 98 Age/Calv. 10/7 Avg. WI/Calf 102/7</p>	<p>LMR 060150 SPN Mat. 92 Silver</p>  <p>LMR 060259 SPN Mat. 111 Age/Calv. 6/4 Avg. WI/Calf 107/4</p>	<p>AG 980159 SPN Mat. 74</p> <p>AG 010266 AFC 36 SPN Mat. 101 ICP 588 Age/Calv. 9/5 Avg. WI/Calf 99/5</p> <p>LMR 040196 SPN Mat. 91 Silver</p> <p>LMR 040029 AFC 30 SPN Mat. 112 ICP 596 Age/Calv. 4/2 Avg. WI/Calf 111/2</p>	<p>AG 960085 SPN Mat. 93 AG 910189 SPN Mat. 83 AG 980338 SPN Mat. 87 AG 950102 SPN Mat. 98 AG 970223 SPN Mat. 93 LMR 970129 SPN Mat. 105 AG 970002 SPN Mat. 79 LMR 920009 SPN Mat. 127</p>
--	--	---	--


Lot 89B 4 Maande dragtig van LMR 14-216

<p>LMR 090323 SPN Mat. 98 AFC 35 ICP 430 RI 99 Age/Calv. 10/7 Avg. WI/Calf 100/7</p>	<p>LAR 050179 SPN Mat. 91</p>  <p>LMR 010255 AFC 30 SPN Mat. 123 ICP 427 Age/Calv. 11/8 RI 103 Avg. WI/Calf 102/8</p>	<p>LAR 010297 SPN Mat. 71</p> <p>LAR 950050 AFC 33 SPN Mat. 153 ICP 433 Age/Calv. 19/15 Avg. WI/Calf 111/14</p> <p>LMR 940078 SPN Mat. 107</p> <p>LMR 980056 AFC 36 SPN Mat. 108 ICP 413 Age/Calv. 12/9 Avg. WI/Calf 102/9</p>	<p>AG 920097 SPN Mat. 49 LAR 960332 SPN Mat. 113 AG N 0081 SPN Mat. 70 LAR 920117 SPN Mat. 152 RCO L 0123 SPN Mat. 111 NFS K 0182 SPN Mat. 83 AG 910241 SPN Mat. 65 LMR 940003 SPN Mat. 129</p>
---	--	--	---


Lot 89C 3 Maande dragtig van LMR 14-216

<p>LMR 090251 SPN Mat. 110 AFC 36 ICP 364 RI 110 Age/Calv. 10/8 Avg. WI/Calf 100/7</p>	<p>RGR 050028 SPN Mat. 120</p>  <p>LMR 070315 AFC 30 SPN Mat. 86 ICP 547 Age/Calv. 7/4 RI 90 Avg. WI/Calf 93/3</p>	<p>RGR 020011 SPN Mat. 98</p> <p>RGR 020064 AFC 31 SPN Mat. 107 ICP 516 Age/Calv. 10/6 Avg. WI/Calf 103/6</p> <p>LMR 020173 SPN Mat. 115 Gold</p> <p>LMR 030097 AFC 29 SPN Mat. 80 ICP 497 Age/Calv. 7/4 Avg. WI/Calf 102/3</p>	<p>FCT 980067 SPN Mat. 101 RGR 940051 SPN Mat. 90 ZAK 990069 SPN Mat. 68 RCO 920106 SPN Mat. 100 AG 970223 SPN Mat. 93 LMR 980195 SPN Mat. 125 AG 980033 SPN Mat. 67 LMR 940083 SPN Mat. 104</p>
---	---	---	--


Lot 90A 4 Maande dragtig van LMR 16-124

<p>LMR 090339 SPN Mat. 71 AFC 36 ICP 369 RI 110 Age/Calv. 10/8 Avg. WI/Calf 99/8</p>	<p>LAR 050179 SPN Mat. 91</p>  <p>JBR 030082 AFC 28 SPN Mat. 66 ICP 396 Age/Calv. 8/6 RI 110 Avg. WI/Calf 88/5</p>	<p>LAR 010297 SPN Mat. 71</p> <p>LAR 950050 AFC 33 SPN Mat. 153 ICP 433 Age/Calv. 19/15 Avg. WI/Calf 111/14</p> <p>RGR 990167 SPN Mat. 104</p> <p>JBR 010024 AFC 30 SPN Mat. 81 ICP 404 Age/Calv. 14/11 Avg. WI/Calf 102/12</p>	<p>AG 920097 SPN Mat. 49 LAR 960332 SPN Mat. 113 AG N 0081 SPN Mat. 70 LAR 920117 SPN Mat. 152 IVY 940354 SPN Mat. 112 BAL 920018 SPN Mat. 85 GID 970024 SPN Mat. 58 IVY 960112 SPN Mat. 76</p>
---	---	---	---

Lot 90B 3 Maande dragtig van LMR 16-124

<p>LMR 090375 SPN Mat. 55 AFC 34 ICP 367 RI 111 Age/Calv. 10/8 Avg. WI/Calf 92/7</p>	<p>LMR 030096 SPN Mat. 48 Gold</p>  <p>LMR 040302 AFC 37 SPN Mat. 84 ICP 360 Age/Calv. 7/5 RI 106 Avg. WI/Calf 106/4</p>	<p>AG 950204 SPN Mat. 43</p> <p>LMR 960116 AFC 36 SPN Mat. 114 ICP 405 Age/Calv. 10/7 Avg. WI/Calf 103/4</p> <p>MCH 010015 SPN Mat. 104</p> <p>MCH 000144 AFC 35 SPN Mat. 52 ICP 409 Age/Calv. 7/5 Avg. WI/Calf 92/3</p>	<p>AG 930125 SPN Mat. 46 AG L 0032 SPN Mat. 76 TLB J 0030 SPN Mat. 103 LMR 900045 SPN Mat. 132 JH 910266 SPN Mat. 91 MCH 960125 SPN Mat. 114 RCO 970051 SPN Mat. 69 MCH 960199 SPN Mat. 48</p>
---	---	--	--

Lot 90C 3 Maande dragtig van AG 09-751

<p>LMR 090169 SPN Mat. 87 AFC 39 ICP 375 RI 106 Age/Calv. 10/8 Avg. WI/Calf 102/8</p>	<p>LMR 030096 SPN Mat. 48 Gold</p>  <p>LMR 040097 AFC 30 SPN Mat. 111 ICP 480 Age/Calv. 5/3 RI 101 Avg. WI/Calf 98/3</p>	<p>AG 950204 SPN Mat. 43</p> <p>LMR 960116 AFC 36 SPN Mat. 114 ICP 405 Age/Calv. 10/7 Avg. WI/Calf 103/4</p> <p>HWB 960136 SPN Mat. 100</p> <p>LMR 960053 AFC 31 SPN Mat. 127 ICP 368 Age/Calv. 14/12 Avg. WI/Calf 105/11</p>	<p>AG 930125 SPN Mat. 46 AG L 0032 SPN Mat. 76 TLB J 0030 SPN Mat. 103 LMR 900045 SPN Mat. 132 AG C 0016 SPN Mat. 51 HWB 920009 SPN Mat. 113 TLB J 0030 SPN Mat. 103 LMR 920039 SPN Mat. 128</p>
--	---	---	--

VROULIKE DIERE

Lot	Verkoper	ID	OUERS	Toets	Teelwaarde indekse											Dae Oop	Gebruiker Eie Opmerkings		
					VADER GV OV	Genomies Getoets	Geb Dir	Speen Dir	Geb Mat	Speen Mat	Volwas Gew	Naspeen	GDT	VOV	SO			Hgt	Lgt
		POENA	MOEDER GV OV	DNS	Akk	Akk	Akk	Akk	Akk	Akk	Akk	Akk	Akk	Akk	Akk	Akk	Akk	GGV	
		Gen		Geb. dat.	Gew kg	Gew kg	Ind	kg	kg	kg	365d Ind	540d Ind	Ind	Ind	(mm)	(mm)	(mm)	SGV	Kalwers


Dragtige Koeie

91 A	PAUL MARE BONSMARA STOET	LMR 150225 SP	LMR 090224	NS540	95	112	102	71	116	109	103	100	98	103	110	-	168	3 Maande dragtig van FUZ 15-019
					1.50	18.6	-0.26	-4.1	27.0	28.2	109	-47	7.7	4	28	-	5	
			LMR 120077	13.05.15	33													
91 B	PAUL MARE BONSMARA STOET	LMR 150189 SP	AG 100008	NS365	74	136	104	90	110	129	122	112	113	108	117	-	211	4 Maande dragtig van LMR 14-216
					3.80	29.6	-0.38	1.0	20.0	41.9	197	-72	19.6	8	38	-	4.6	
			LMR 100153	11.09.15	43													
91 C	PAUL MARE BONSMARA STOET	LMR 150193 SP	PAD 100014	NS365	102	116	149	77	121	115	106	105	100	107	109	-	170	3 Maande dragtig van ABM 16-106
					0.85	20.6	-2.45	-2.4	33.0	32.2	123	-57	9.7	8	26	-	4.6	
			LMR 100369	15.09.15	36													
92 A	PAUL MARE BONSMARA STOET	LMR 140313 SP	LMR 070334	NS540	129	84	119	94	90	78	94	93	98	100	102	-	365	3 Maande dragtig van AG 09-751
					-2.04	6.1	-1.08	2.3	-1.0	6.7	67	-32	8.0	1	16	-	5.6	
			LMR 090133	18.09.14	27													
92 B	PAUL MARE BONSMARA STOET	LMR 140345 SP	JRB 040014	NS540	98	115	86	96	111	114	111	104	106	117	111	-	170	3 Maande dragtig van LMR 15-162
					1.21	20.0	0.46	2.8	22.0	31.6	146	-55	14.0	15	29	-	5.6	
			LMR 090015	09.10.14	38													
92 C	PAUL MARE BONSMARA STOET	LMR 140141 SP	LMR 070334	NS540	89	108	103	85	91	100	91	89	108	94	101	-	170	3 Maande dragtig van LMR 16-124
					2.23	16.9	-0.32	-0.4	0.0	21.7	54	-21	15.6	-4	15	-	6	
			LMR 050121	18.05.14	37													

Lot 91A 3 Maande dragtig van FUZ 15-019

LMR 150225
SPN Mat. 71
OEK 29
TKP 376
RI 112
Oud/Kalw. 5/3
Gem. Si/Kalf 95/2

LMR 090224
SPN Mat. 52



LMR 120077

LMR 060156
SPN Mat. 69
Goud

LMR 060231
OEK 33 SPN Mat. 72
TKP 509 Oud/Kalw. 4/2
Gem. Si/Kalf 107/2

WVZ 080078
SPN Mat. 116


LMR 080069
OEK 36 SPN Mat. 70
TKP 394 Oud/Kalw. 12/9
Gem. Si/Kalf 88/7

LMR 990169
SPN Mat. 67
LMR 010270
SPN Mat. 102
LMR 040196
SPN Mat. 91
LMR 040052
SPN Mat. 67
MMJ 030209
SPN Mat. 99
WVZ 020047
SPN Mat. 115
LAR 030357
SPN Mat. 66
LMR 000074
SPN Mat. 121

Lot 91B 4 Maande dragtig van LMR 14-216

LMR 150189
SPN Mat. 90
OEK 37
TKP 356
RI 97
Oud/Kalw. 4/2
Gem. Si/Kalf 104/1

AG 100008
SPN Mat. 88



LMR 100153

AG 060481
SPN Mat. 90

AG 970106
OEK 26 SPN Mat. 80
TKP 392 Oud/Kalw. 15/13
Gem. Si/Kalf 95/12

AG 030256
SPN Mat. 86


LMR 020119
OEK 29 SPN Mat. 86
TKP 388 Oud/Kalw. 12/10
Gem. Si/Kalf 97/9

LAR 010176
SPN Mat. 84
AG 970157
SPN Mat. 105
AG J 0008
SPN Mat. 88
AG 950012
SPN Mat. 120
AG 980338
SPN Mat. 87
AG 930063
SPN Mat. 100
AG 980033
SPN Mat. 67
LMR 920003
SPN Mat. 99

Lot 91C 3 Maande dragtig van ABM 16-106

LMR 150193
SPN Mat. 77
OEK 36
TKP 425
RI 95
Oud/Kalw. 4/2
Gem. Si/Kalf 96/2

PAD 100014
SPN Mat. 95



LMR 100369

CSW 010014
SPN Mat. 94

CEF 980117
OEK 32 SPN Mat. 106
TKP 400 Oud/Kalw. 17/14
Gem. Si/Kalf 106/13

PER 000077
SPN Mat. 97
Goud


LAR 020301
OEK 35 SPN Mat. 82
TKP 398 Oud/Kalw. 11/8
Gem. Si/Kalf 97/7

BG 960125
SPN Mat. 100
CSW 980048
SPN Mat. 112
CEF 950315
SPN Mat. 82
CEF 950131
SPN Mat. 112
VV 940061
SPN Mat. 111
PER 950026
SPN Mat. 92
LAR 990144
SPN Mat. 113
LAR 940224
SPN Mat. 79

Lot 92A 3 Maande dragtig van AG 09-751

LMR 140313
SPN Mat. 94
OEK 31
TKP 368
RI 110
Oud/Kalw. 5/3
Gem. Si/Kalf 100/3

LMR 070334
SPN Mat. 84



LMR 090133

NFS 040124
SPN Mat. 104
Silver

LMR 040003
OEK 31 SPN Mat. 86
TKP 356 Oud/Kalw. 6/5
Gem. Si/Kalf 102/2

AG 010258
SPN Mat. 95


SER 960050
OEK 30 SPN Mat. 128
TKP 395 Oud/Kalw. 13/11
Gem. Si/Kalf 106/10

RCO 980053
SPN Mat. 83
NFS 960193
SPN Mat. 129
AG 970002
SPN Mat. 79
LMR 980001
SPN Mat. 103
AG 980338
SPN Mat. 87
AG 950251
SPN Mat. 109
VV 910027
SPN Mat. 118
TUK J 0031
SPN Mat. 105

Lot 92B 3 Maande dragtig van LMR 15-162

LMR 140345
SPN Mat. 96
OEK 35
TKP 398
RI 101
Oud/Kalw. 5/3
Gem. Si/Kalf 108/3

JRB 040014
SPN Mat. 87



LMR 090015

JRB 000170
SPN Mat. 87

JRB 020111
OEK * SPN Mat. 86
TKP Oud/Kalw. */4
Gem. Si/Kalf 99/4

LMR 050351
SPN Mat. 100
Goud


LMR 050046
OEK 29 SPN Mat. 69
TKP 405 Oud/Kalw. 8/6
Gem. Si/Kalf 91/5

IVY 960379 P
SPN Mat. 100
JRB 960089
SPN Mat. 110
JRB 950073
SPN Mat. 56
JRB 950198
SPN Mat. 120
AG 970223
SPN Mat. 93
LMR 970083
SPN Mat. 97
PHR 000069
SPN Mat. 57
LMR 980098
SPN Mat. 109

Lot 92C 3 Maande dragtig van LMR 16-124

LMR 140141
SPN Mat. 85
OEK 39
TKP 408
RI 93
Oud/Kalw. 5/3
Gem. Si/Kalf 98/3

LMR 070334
SPN Mat. 84



LMR 050121

NFS 040124
SPN Mat. 104
Silver

LMR 040003
OEK 31 SPN Mat. 86
TKP 356 Oud/Kalw. 6/5
Gem. Si/Kalf 102/2

AG 990017
SPN Mat. 99

LMR 010098
OEK 29 SPN Mat. 90
TKP 408 Oud/Kalw. 8/6
Gem. Si/Kalf 98/3

RCO 980053
SPN Mat. 83
NFS 960193
SPN Mat. 129
AG 970002
SPN Mat. 79
LMR 980001
SPN Mat. 103
RCO 940144
SPN Mat. 78
AG 910197
SPN Mat. 114
AG 970002
SPN Mat. 79
LMR 950084
SPN Mat. 100


FEMALE ANIMALS

Lot	Seller	ID	PARENTS		Test	Breeding Value Indexes											Days Open	Breeder Own Remarks			
			SIRE	PV		Birth Dir	Wean Dir	Birth Mat	Wean Mat	Mat Wgt	Post Wean	ADG	FCR	SC	Hgt	Lgt			LHR		
			DAM	PV		Acc	Acc	Acc	Acc	Acc	Acc	Acc	Acc	Acc	Acc	Acc			Acc	BWR	
		Gen			Birth Date	Wgt kg	Wgt kg	Ind	kg	kg	kg	365d Ind	540d Ind	Ind	Ind	(mm)	(mm)	(mm)	Age	Calves	


Pregnant Cows

93 A	PAUL MARE BONSMARA STOET	LMR 150319	PAD 100014	PW365	84	115	103	99	118	115	104	102	115	101	108	-	192	5 Maande dragtig van FUZ 15-019
					2.68	19.9	-0.31	3.7	29.0	32.1	113	-52	21.6	2	24	-	4.6	
			LMR 090243	20.09.15	40													
93 B	PAUL MARE BONSMARA STOET	LMR 150333	LMR 090334	PW365	119	91	119	101	92	88	96	97	92	96	97	-	222	3 Maande dragtig van LMR 14-216
					-1.03	9.3	-1.08	4.2	1.0	13.0	78	-39	3.0	-2	10	-	4.6	
			LMR 050222	23.09.15	33													
93 C	PAUL MARE BONSMARA STOET	LMR 150343	LMR 110036	PW365	103	89	85	105	94	90	96	99	96	86	91	-	202	4 Maande dragtig van LMR 15-162
					0.66	8.4	0.48	5.1	3.0	15.0	76	-45	6.3	-9	1	-	4.6	
			LMR 090137	25.09.15	37													
94 A	PAUL MARE BONSMARA STOET	LMR 150175	LMR 090334	PW365	100	92	97	87	90	90	87	95	74	79	86	-	223	3 Maande dragtig van FUZ 15-019
					0.98	9.7	-0.05	0.2	-1.0	14.5	35	-36	-10.7	-16	-7	-	4.6	
			LMR 060378	09.09.15	41													
94 B	PAUL MARE BONSMARA STOET	LMR 140013	AEJ 090102	PW540	108	107	104	114	98	112	100	104	102	90	103	-	191	3 Maande dragtig van AG 09-751
					0.18	16.2	-0.36	7.5	8.0	30.0	97	-54	11.3	-6	18	-	6.1	
			LMR 050177	18.03.14	33													
94 C	PAUL MARE BONSMARA STOET	LMR 150301	WBB 100260	PW365	99	101	115	94	98	94	89	94	100	87	97	-	217	2 Maande dragtig van AG 09-751
					1.13	13.8	-0.88	2.1	7.0	17.7	44	-33	9.2	-9	9	-	4.6	
			LMR 110311	17.09.15	34													


Lot 93A 5 Maande dragtig van FUZ 15-019

<p>LMR 150319 SPN Mat. 99 AFC 36 ICP 394 RI 96 Age/Calv. 4/2 Avg. WI/Calf 96/1</p>	<p>PAD 100014 SPN Mat. 95</p> 	<p>CSW 010014 SPN Mat. 94</p>	<p>BG 960125 SPN Mat. 100 CSW 980048 SPN Mat. 112 CEF 950315 SPN Mat. 82 CEF 950131 SPN Mat. 112 LAR 020331 SPN Mat. 108 LAR 000334 SPN Mat. 82 BG 010028 SPN Mat. 105 LMR 930083 SPN Mat. 106</p>
<p>AFC 36 ICP 366 RI 109</p>	<p>LMR 090243 SPN Mat. 109 Age/Calv. 9/7 Avg. WI/Calf 102/7</p>	<p>CEJ 980117 SPN Mat. 104</p>	<p>LMR 070013 SPN Mat. 111 Age/Calv. 5/3 Avg. WI/Calf 106/3</p>


Lot 93B 3 Maande dragtig van LMR 14-216

<p>LMR 150333 SPN Mat. 101 AFC 36 ICP 370 RI 99 Age/Calv. 4/2 Avg. WI/Calf 109/2</p>	<p>LMR 090334 SPN Mat. 91</p> 	<p>NFS 040124 SPN Mat. 104 Silver</p>	<p>RCO 980053 SPN Mat. 83 NFS 960193 SPN Mat. 129 AG 990166 SPN Mat. 80 LMR 010206 SPN Mat. 111 AG 960085 SPN Mat. 93 AG 910189 SPN Mat. 83 LMR 940111 SPN Mat. 128 LMR 000010 SPN Mat. 128</p>
<p>AFC 29 ICP 417 RI 106</p>	<p>LMR 050222 SPN Mat. 99 Age/Calv. 12/9 Avg. WI/Calf 100/9</p>	<p>LMR 030249 SPN Mat. 74</p>	<p>LMR 020231 SPN Mat. 134 Age/Calv. 11/8 Avg. WI/Calf 110/8</p>


Lot 93C 4 Maande dragtig van LMR 15-162

<p>LMR 150343 SPN Mat. 105 AFC 36 ICP 395 RI 97 Age/Calv. 4/2 Avg. WI/Calf 101/1</p>	<p>LMR 110036 SPN Mat. 126</p> 	<p>LMR 070316 SPN Mat. 116</p>	<p>AG 020193 SPN Mat. 110 LMR 030010 SPN Mat. 121 AG 970223 SPN Mat. 93 LMR 980056 SPN Mat. 108 AG 980338 SPN Mat. 87 AG 980123 SPN Mat. 105 PHR 000069 SPN Mat. 57 LMR 000062 SPN Mat. 117</p>
<p>AFC 39 ICP 404 RI 101</p>	<p>LMR 090137 SPN Mat. 83 Age/Calv. 11/8 Avg. WI/Calf 98/6</p>	<p>LMR 050192 SPN Mat. 88</p>	<p>AG 030046 SPN Mat. 88</p>
<p>AFC 29 ICP 386</p>	<p>LMR 040061 SPN Mat. 88 Age/Calv. 12/10 Avg. WI/Calf 102/9</p>	<p>AFC 29 ICP 386</p>	<p>SPN Mat. 87 AG 950206 SPN Mat. 127 AEJ 990090 SPN Mat. 92 AEJ 990145 SPN Mat. 59 VV 960318 SPN Mat. 76 LAR 950050 SPN Mat. 153 AG 970002 SPN Mat. 79 LMR 940013 SPN Mat. 102</p>


Lot 94A 3 Maande dragtig van FUZ 15-019

<p>LMR 150175 SPN Mat. 87 AFC 36 ICP 369 RI 98 Age/Calv. 4/2 Avg. WI/Calf 108/2</p>	<p>LMR 090334 SPN Mat. 91</p> 	<p>NFS 040124 SPN Mat. 104 Silver</p>	<p>RCO 980053 SPN Mat. 83 NFS 960193 SPN Mat. 129 AG 990166 SPN Mat. 80 LMR 010206 SPN Mat. 111 RCO 990110 SPN Mat. 116 AG 950146 SPN Mat. 117 RCO 970051 SPN Mat. 69 MCH 980129 SPN Mat. 80</p>
<p>AFC 35 ICP 358 RI 111</p>	<p>LMR 060378 SPN Mat. 74 Age/Calv. 9/7 Avg. WI/Calf 88/7</p>	<p>AG 020135 SPN Mat. 122</p>	<p>MCH 020184 SPN Mat. 86 Age/Calv. 11/8 Avg. WI/Calf 103/8</p>

Lot 94B 3 Maande dragtig van AG 09-751

<p>LMR 140013 SPN Mat. 114 AFC 36 ICP 476 RI 91 Age/Calv. 6/3 Avg. WI/Calf 107/2</p>	<p>AEJ 090102 SPN Mat. 84</p> 	<p>AG 020251 SPN Mat. 120 Gold</p>	<p>AG 980338 SPN Mat. 87 AG 950206 SPN Mat. 127 AEJ 990090 SPN Mat. 92 AEJ 990145 SPN Mat. 59 VV 960318 SPN Mat. 76 LAR 950050 SPN Mat. 153 AG 970002 SPN Mat. 79 LMR 940013 SPN Mat. 102</p>
<p>AFC 28 ICP 398 RI 110</p>	<p>LMR 050177 SPN Mat. 119 Age/Calv. 11/9 Avg. WI/Calf 97/10</p>	<p>AEJ 030059 SPN Mat. 113</p>	<p>LMR 010186 SPN Mat. 101 Age/Calv. 13/11 Avg. WI/Calf 96/11</p>

Lot 94C 2 Maande dragtig van AG 09-751

<p>LMR 150301 SPN Mat. 94 AFC 37 ICP 328 RI 98 Age/Calv. 4/2 Avg. WI/Calf 102/2</p>	<p>WBB 100260 SPN Mat. 72</p> 	<p>AG 030256 SPN Mat. 86</p>	<p>AG 980338 SPN Mat. 87 AG 930063 SPN Mat. 100 DFP 000264 SPN Mat. 92 GBS 920072 SPN Mat. 103 LAR 000084 SPN Mat. 102 LAR 970251 SPN Mat. 111 LMR 040221 SPN Mat. 77 LMR 040040 SPN Mat. 97</p>
<p>AFC 34 ICP 374 RI 107</p>	<p>LMR 110311 SPN Mat. 126 Age/Calv. 6/4 Avg. WI/Calf 108/4</p>	<p>GBS 050060 SPN Mat. 116</p>	<p>LMR 070207 SPN Mat. 103 Age/Calv. 7/4 Avg. WI/Calf 102/3</p>


VROULIKE DIERE

Lot	Verkoper	ID	OUERS	Toets	Teelwaarde indekse												Dae Oop	Gebruiker Eie Opmerkings					
					VADER GV OV	Genomies Getoets	Geb Dir		Speen Dir		Geb Mat	Speen Mat	Volw Gew	Naspeen		GDT			VOV	SO	Hgt	Lgt	LHV
							Akk	Akk	Akk	Akk	Akk	365d Ind	540d Ind	Ind	Ind	(mm)			(mm)	(mm)	GGV		
POENA	MOEDER GV OV	DNS	Akk	Akk	Akk	Akk	Akk	Akk	Akk	Akk	Akk	Akk	Akk	Akk	Akk	Akk	SGV	Oud					
Gen		Geb. dat.	Gew kg	Gew kg	Ind	kg	kg	kg										Kalwers					


Dragtige Koeie

95 A	PAUL MARE BONSMARA STOET	LMR 110219 SP	LAR 040375	NS540	86	96	94	95	106	91	88	88	109	84	97	-	177	2 Maande dragtig van FUZ 15-019
					2.47	11.3	0.07	2.3	16.0	15.7	39	-19	16.5	-11	9	-	9	
			LMR 080291	24.04.11	34													
95 B	PAUL MARE BONSMARA STOET	LMR 110035 SP	LMR 070316	NS540	110	87	89	123	90	90	82	88	92	90	91	-	384	8 Maand dragtig van LMR 16-050
					-0.04	7.3	0.33	10.3	-1.0	14.4	14	-21	3.3	-6	1	-	9.1	
			LMR 020363	20.03.11	34													
95 C	PAUL MARE BONSMARA STOET	LMR 120053 SP	LMR 050108	NS540	92	102	117	64	116	100	94	96	110	88	93	-	202	3 Maande dragtig van LMR 15-162
					1.86	14.0	-0.98	-6.2	27.0	21.4	67	-39	17.2	-8	4	-	8.1	
			LMR 050175	02.04.12	40												45.3	
96 A	PAUL MARE BONSMARA STOET	LMR 110173 SP	LMR 050108	NS540	70	126	74	112	152	134	125	112	129	121	120	-	213	2 Maande dragtig van LMR 15-162
					4.25	25.0	1.01	7.1	67.0	45.2	211	-72	32.7	19	42	-	8.6	
			LMR 030262	17.09.11	43												45.5	
96 B	PAUL MARE BONSMARA STOET	LMR 110167 SP	EI 020229	NS540	137	75	131	77	68	80	87	93	106	86	94	-	229	
					-2.88	1.9	-1.60	-2.5	-25.0	7.8	35	-32	14.5	-10	6	-	8.6	
			LMR 050373	13.09.11	29												40.7	
97 A	PAUL MARE BONSMARA STOET	LAR 130071 SP	BP 100017	NS540	93	109	85	120	115	113	111	103	117	95	105	-	149	3 Maande dragtig van LMR 16-124
					1.78	17.1	0.51	9.2	26.0	30.6	146	-54	22.9	-2	21	-	6.7	
			LAR 100057	01.08.13	31													


Lot 95A 2 Maande dragtig van FUZ 15-019

<p>LMR 110219 SPN Mat. 95 OEK 35 TKP 411 RI 102 Oud/Kalw. 9/6 Gem. Si/Kalf 101/6</p>		<p>LAR 040375 SPN Mat. 104</p> <p>LAR 020331 SPN Mat. 108</p> <p>LAR 000334 OEK 33 SPN Mat. 82 TKP 480 Oud/Kalw. 9/4 Gem. Si/Kalf 98/3</p> <p>NFS 040124 SPN Mat. 104 Silver</p> <p>LMR 050152 OEK 30 SPN Mat. 103 TKP 349 Oud/Kalw. 4/3 Gem. Si/Kalf 113/1</p>
<p>LMR 080291 OEK 31 SPN Mat. 97 TKP Oud/Kalw. 3/1 RI 105 Gem. Si/Kalf 100/1</p>		<p>LAR 990144 SPN Mat. 113 LAR 960236 SPN Mat. 133 LAR 980272 SPN Mat. 57 LAR 920012 SPN Mat. 97 RCO 980053 SPN Mat. 83 NFS 960193 SPN Mat. 129 AG 010258 SPN Mat. 95 LMR 010106 SPN Mat. 101</p>


Lot 95B 8 Maand dragtig van LMR 16-050

<p>LMR 110035 SPN Mat. 123 OEK 36 TKP 370 RI 107 Oud/Kalw. 8/6 Gem. Si/Kalf 107/7</p>		<p>LMR 070316 SPN Mat. 116</p> <p>AG 020193 SPN Mat. 110</p> <p>LMR 030010 OEK 35 SPN Mat. 121 TKP 411 Oud/Kalw. 13/10 Gem. Si/Kalf 104/9</p> <p>AG 980033 SPN Mat. 67</p> <p>LMR 980188 OEK 34 SPN Mat. 107 TKP 507 Oud/Kalw. 13/8 Gem. Si/Kalf 102/6</p>
		<p>AG 980338 SPN Mat. 87 AG 950001 SPN Mat. 118 AG 990017 SPN Mat. 99 LMR 960046 SPN Mat. 122 TBR 910704 SPN Mat. 77 AG 950044 SPN Mat. 103 JHO 940077 SPN Mat. 104 LMR 960076 SPN Mat. 66</p>


Lot 95C 3 Maande dragtig van LMR 15-162

<p>LMR 120053 SPN Mat. 64 OEK 36 TKP 413 RI 100 Oud/Kalw. 8/5 Gem. Si/Kalf 91/4</p>		<p>AG 920046 SPN Mat. 123 AG 950001 SPN Mat. 118 AG 910241 SPN Mat. 65 LMR 940015 SPN Mat. 85 AG 920046 SPN Mat. 123 AG 950001 SPN Mat. 118 AG 920098 SPN Mat. 80 LMR 920096 SPN Mat. 102</p>
		<p>AG 970223 SPN Mat. 93</p> <p>LMR 980065 OEK 35 SPN Mat. 84 TKP 387 Oud/Kalw. 10/8 Gem. Si/Kalf 105/8</p> <p>AG 970223 SPN Mat. 93</p> <p>LMR 980022 OEK 30 SPN Mat. 100 TKP 403 Oud/Kalw. 12/10 Gem. Si/Kalf 102/10</p>


Lot 96A 2 Maande dragtig van LMR 15-162

<p>LMR 110173 SPN Mat. 112 OEK 35 TKP 373 RI 108 Oud/Kalw. 8/6 Gem. Si/Kalf 104/6</p>		<p>LMR 050108 SPN Mat. 69 Silver</p> <p>AG 970223 SPN Mat. 93</p> <p>LMR 980065 OEK 35 SPN Mat. 84 TKP 387 Oud/Kalw. 10/8 Gem. Si/Kalf 105/8</p> <p>PHR 000069 SPN Mat. 57</p> <p>LMR 950029 OEK 29 SPN Mat. 126 TKP 368 Oud/Kalw. 9/8 Gem. Si/Kalf 103/7</p>
		<p>AG 920046 SPN Mat. 123 AG 950001 SPN Mat. 118 AG 910241 SPN Mat. 65 LMR 940015 SPN Mat. 85 PHR 920043 SPN Mat. 63 PHR 970131 SPN Mat. 77 BD N 0097 SPN Mat. 143 LMR 0065 SPN Mat. 105</p>

Lot 96B

<p>LMR 110167 SPN Mat. 77 OEK 35 TKP 371 RI 108 Oud/Kalw. 8/6 Gem. Si/Kalf 96/5</p>		<p>EI 980080 SPN Mat. 88</p> <p>EI 020229 SPN Mat. 83</p> <p>EI 960333 OEK 30 SPN Mat. 107 TKP 400 Oud/Kalw. 7/5 Gem. Si/Kalf 101/5</p> <p>AEJ 970082 SPN Mat. 80</p> <p>LMR 020115 OEK 30 SPN Mat. 96 TKP 508 Oud/Kalw. 8/5 Gem. Si/Kalf 95/4</p>
		<p>BG 960125 SPN Mat. 100 EI 950140 SPN Mat. 101 EI 940272 SPN Mat. 110 EI 940011 SPN Mat. 112 AEJ 940063 SPN Mat. 126 AEJ 950040 SPN Mat. 61 LMR 990165 SPN Mat. 109 LMR 950098 SPN Mat. 106</p>

Lot 97A 3 Maande dragtig van LMR 16-124

<p>LAR 130071 SPN Mat. 120 OEK 36 TKP 409 RI 100 Oud/Kalw. 6/4 Gem. Si/Kalf 102/3</p>		<p>BP 100017 SPN Mat. 142</p> <p>WCS 060011 SPN Mat. 91</p> <p>BP 070007 OEK 38 SPN Mat. 146 TKP 454 Oud/Kalw. 11/7 Gem. Si/Kalf 104/6</p> <p>LMR 020173 SPN Mat. 115 Goud</p> <p>LAR 100057 OEK 36 SPN Mat. 97 TKP 445 Oud/Kalw. 9/6 RI 96 Gem. Si/Kalf 92/7</p> <p>LAR 070171 OEK 35 SPN Mat. 81 TKP 381 Oud/Kalw. 11/9 Gem. Si/Kalf 100/9</p>
		<p>BHE 020114 SPN Mat. 92 WCS 030033 SPN Mat. 107 BP 030020 SPN Mat. 144 BP 040062 SPN Mat. 126 AG 970223 SPN Mat. 93 LMR 980195 SPN Mat. 125 LAR 030071 SPN Mat. 85 LAR 040074 SPN Mat. 74</p>


FEMALE ANIMALS

Lot	Seller	ID	PARENTS	Test	Breeding Value Indexes												Days Open	Breeder Own Remarks						
					SIRE		Genomic Tested	Birth Dir		Wean Dir		Birth Mat	Wean Mat	Mat Wgt	Post Wean				ADG	FCR	SC	Hgt	Lgt	LHR
					GV	PV		Acc	Acc	Acc	Acc	Acc	365d Ind	540d Ind	Ind	Ind			(mm)	(mm)	(mm)	BWR		
		Gen	DAM	Birth Date	Wgt kg	Wgt kg	Ind	kg	kg	kg									WWR	Age	Calves			


Pregnant Cows

97 B	PAUL MARE BONSMARA STOET	LMR 140363	LMR 070316	PW540	98	99	98	112	91	94	97	99	108	96	98	-	164	2 Maande dragtig van ABM 16-106
					1.26	12.7	-0.08	7.1	0.0	17.3	84	-44	15.6	-2	11	-	5.5	
			LMR 100345	23.10.14	35													
97 C	PAUL MARE BONSMARA STOET	LMR 140371	LMR 090334	PW540	111	93	127	91	110	88	88	94	80	90	93	-	173	2 Maande dragtig van LMR 14-216
					-0.18	10.0	-1.41	1.4	20.0	13.3	43	-34	-6.5	-7	3	-	5.5	
			LMR 080111	08.11.14	35													
98 A	PAUL MARE BONSMARA STOET	LMR 140263	LMR 100138	PW540	97	104	85	126	102	113	103	100	96	91	107	-	227	3 Maande dragtig van LMR 16-124
					1.35	15.1	0.47	10.9	11.0	30.5	109	-47	6.2	-6	24	-	5.7	
			LMR 110311	09.08.14	30													
98 B	PAUL MARE BONSMARA STOET	LMR 140309	LMR 060078	PW540	89	107	106	75	110	102	101	94	97	91	105	-	156	2 Maande dragtig van LMR 16-124
					2.18	16.3	-0.47	-3.1	21.0	23.3	99	-34	6.9	-6	20	-	5.6	
			LMR 090339	18.09.14	35													
98 C	PAUL MARE BONSMARA STOET	LMR 140175	LMR 060078	PW540	70	111	104	102	113	105	104	98	94	96	107	-	160	2 Maande dragtig van LMR 14-216
					4.20	18.1	-0.39	4.3	24.0	25.0	115	-42	5.2	-2	24	-	5.6	
			LMR 090031	05.09.14	44													
99 A	PAUL MARE BONSMARA STOET	LMR 140231	AG 100008	PW540	94	104	108	92	88	110	94	99	94	83	95	-	196	2 Maande dragtig van LMR 14-216
					1.62	15.2	-0.58	1.6	-3.0	28.8	67	-44	4.5	-12	6	-	6.1	
			LMR 110069	22.03.14	34													


Lot 97B 2 Maande dragtig van ABM 16-106

<p>LMR 140363 SPN Mat. 112 AFC 37 ICP 364 RI 101 Age/Calv. 5/3 Avg. WI/Calf 106/2</p>	<p>LMR 070316 SPN Mat. 116</p>  <p>LMR 100345</p>	<p>AG 020193 SPN Mat. 110</p> <p>LMR 030010 AFC 35 SPN Mat. 121 ICP 411 Age/Calv. 13/10 Avg. WI/Calf 104/9</p> <p>EXL 040039 SPN Mat. 118</p> <p>AG 970197 AFC 25 SPN Mat. 71 ICP 380 Age/Calv. 15/13 Avg. WI/Calf 96/13</p>	<p>AG 980338 SPN Mat. 87 AG 950001 SPN Mat. 118 AG 990017 SPN Mat. 99 LMR 960046 SPN Mat. 122 EXL 980189 SPN Mat. 119 EXL 010058 SPN Mat. 115 AG J 0008 SPN Mat. 88 AG 950003 SPN Mat. 69</p>
--	--	--	---


Lot 97C 2 Maande dragtig van LMR 14-216

<p>LMR 140371 SPN Mat. 91 AFC 35 ICP 383 RI 103 Age/Calv. 5/3 Avg. WI/Calf 104/3</p>	<p>LMR 090334 SPN Mat. 91</p>  <p>LMR 080111</p>	<p>NFS 040124 SPN Mat. 104 Silver</p> <p>LMR 030249 AFC 35 SPN Mat. 94 ICP 365 Age/Calv. 7/5 Avg. WI/Calf 100/4</p> <p>LMR 040276 SPN Mat. 83 Gold</p> <p>LMR 000212 AFC 35 SPN Mat. 100 ICP 443 Age/Calv. 9/6 Avg. WI/Calf 99/5</p>	<p>RCO 980053 SPN Mat. 83 NFS 960193 SPN Mat. 129 AG 990166 SPN Mat. 80 LMR 010206 SPN Mat. 111 LMR 990169 SPN Mat. 67 LMR 970042 SPN Mat. 102 LMR 940111 SPN Mat. 128 LMR 970044 SPN Mat. 88</p>
---	---	--	---


Lot 98A 3 Maande dragtig van LMR 16-124

<p>LMR 140263 SPN Mat. 126 AFC 32 ICP 447 RI 101 Age/Calv. 5/3 Avg. WI/Calf 104/3</p>	<p>LMR 100138 SPN Mat. 112</p>  <p>LMR 110311</p>	<p>AG 030256 SPN Mat. 86</p> <p>LMR 980146 AFC 36 SPN Mat. 139 ICP 370 Age/Calv. 13/11 Avg. WI/Calf 105/10</p> <p>LAR 040172 SPN Mat. 116</p> <p>LMR 070207 AFC 30 SPN Mat. 103 ICP 505 Age/Calv. 7/4 Avg. WI/Calf 102/3</p>	<p>AG 980338 SPN Mat. 87 AG 930063 SPN Mat. 100 TLB J 0030 SPN Mat. 103 LMR 950060 SPN Mat. 139 LAR 000084 SPN Mat. 102 LAR 970251 SPN Mat. 111 LMR 040221 SPN Mat. 77 LMR 040040 SPN Mat. 97</p>
--	--	--	---


Lot 98B 2 Maande dragtig van LMR 16-124

<p>LMR 140309 SPN Mat. 75 AFC 32 ICP 460 RI 99 Age/Calv. 5/3 Avg. WI/Calf 92/2</p>	<p>LMR 060078 SPN Mat. 98 Bronze</p>  <p>LMR 090339</p>	<p>AG 020193 SPN Mat. 110</p> <p>LMR 980009 AFC 37 SPN Mat. 101 ICP 421 Age/Calv. 10/7 Avg. WI/Calf 103/5</p> <p>LAR 050179 SPN Mat. 91</p> <p>JBR 030082 AFC 28 SPN Mat. 66 ICP 396 Age/Calv. 8/6 Avg. WI/Calf 88/5</p>	<p>AG 980338 SPN Mat. 87 AG 950001 SPN Mat. 118 AG 920143 SPN Mat. 98 LMR 940058 SPN Mat. 99 LAR 010297 SPN Mat. 71 LAR 950050 SPN Mat. 153 RGR 990167 SPN Mat. 104 JBR 010024 SPN Mat. 81</p>
---	--	--	--

Lot 98C 2 Maande dragtig van LMR 14-216

<p>LMR 140175 SPN Mat. 102 AFC 37 ICP 390 RI 98 Age/Calv. 5/3 Avg. WI/Calf 94/2</p>	<p>LMR 060078 SPN Mat. 98 Bronze</p>  <p>LMR 090031</p>	<p>AG 020193 SPN Mat. 110</p> <p>LMR 980009 AFC 37 SPN Mat. 101 ICP 421 Age/Calv. 10/7 Avg. WI/Calf 103/5</p> <p>GCD 020109 SPN Mat. 76</p> <p>LMR 000033 AFC 37 SPN Mat. 141 ICP 424 Age/Calv. 10/7 Avg. WI/Calf 111/6</p>	<p>AG 980338 SPN Mat. 87 AG 950001 SPN Mat. 118 AG 920143 SPN Mat. 98 LMR 940058 SPN Mat. 99 AG 960059 SPN Mat. 110 GCD 970073 SPN Mat. 78 LMR 940111 SPN Mat. 128 LMR 970139 SPN Mat. 113</p>
--	--	---	--

Lot 99A 2 Maande dragtig van LMR 14-216

<p>LMR 140231 SPN Mat. 92 AFC 39 ICP 423 RI 91 Age/Calv. 6/3 Avg. WI/Calf 97/3</p>	<p>AG 100008 SPN Mat. 88</p>  <p>LMR 110069</p>	<p>AG 060481 SPN Mat. 90</p> <p>AG 970106 AFC 26 SPN Mat. 80 ICP 392 Age/Calv. 15/13 Avg. WI/Calf 95/12</p> <p>LMR 060150 SPN Mat. 92 Silver</p> <p>LMR 050112 AFC 29 SPN Mat. 122 ICP 406 Age/Calv. 9/7 Avg. WI/Calf 110/7</p>	<p>LAR 010176 SPN Mat. 84 AG 970157 SPN Mat. 105 AG J 0008 SPN Mat. 88 AG 950012 SPN Mat. 120 AG 980159 SPN Mat. 74 AG 010266 SPN Mat. 101 AG 990017 SPN Mat. 99 MCH 980012 SPN Mat. 117</p>
---	--	---	--

VROULIKE DIERE

Lot	Verkoper	ID	OUERS	Toets	Teelwaarde indekse												Dae Oop	Gebruiker Eie Opmerkings
					DIREKTE KALF EIENSKAPPE		DOGTER EIENSKAPPE			GROEI		DOEL	REP	MATES		V:		
		VADER GV OV		Genomies Getoets	Geb Dir	Speen Dir	Geb Mat	Speen Mat	Volwas- se Gewig	Naspeen- gewig	GDT	VOV	SO	Hgt	Lgt	LHV	Oud	
		MOEDER GV OV		DNS	Akk	Akk	Akk	Akk	Akk	Akk	Akk	Akk	Akk	Akk	Akk	GGV		Kalwers
		Gen		Geb. dat.	Gew kg	Gew kg	Ind	kg	kg	kg	365d Ind	540d Ind	Ind	Ind	(mm)	(mm)		

Dragtige Koeie


99 B	PAUL MARE BONSMARA STOET	LMR 140239 SP	LMR 090224	NS540	98	103	95	71	105	101	84	92	95	89	94	-	135	5 Maande dragtig van LMR 14-216
					1.19	14.5	0.04	-4.3	15.0	22.2	22	-29	5.9	-7	5	-	6.1	
			LMR 110093	18.03.14	33												42	
99 C	PAUL MARE BONSMARA STOET	LMR 130099 SP	PAD 090196	NS540	82	122	92	93	115	116	126	113	108	119	122	-	250	3 Maande dragtig van AG 09-751
			PH		2.91	23.1	0.16	1.8	26.0	33.1	214	-75	15.9	17	45	-	7	
			LMR 090163	13.04.13	40												-	

BONSMARA BEESTELERSNOOTSKAP VAN SA


Saamgestel deur die Suid-Afrikaanse Stamboek- en Veeverbeteringsvereniging

Veilingsdatum: 07/05/2020
Data soos op 29/04/2020 13:37:04

Lot 99B 5 Maande dragtig van LMR 14-216

LMR 140239 SPN Mat. 71 OEK 35 TKP 510 RI 88 Oud/Kalw. 6/3 Gem. SI/Kalf 92/2	LMR 090224 SPN Mat. 52 	V LMR 060156 SPN Mat. 69 Goud	LMR 990169 SPN Mat. 67 LMR 010270 SPN Mat. 102 LMR 040196 SPN Mat. 91 LMR 040052 SPN Mat. 67 AG 980159 SPN Mat. 74 AG 010266 SPN Mat. 101 RCO 970028 SPN Mat. 104 LMR 000033 SPN Mat. 141
LMR 110093 SPN Mat. 98 Oud/Kalw. 5/3 Gem. SI/Kalf 100/3	OEK 35 TKP 455 RI 95	< LMR 060150 SPN Mat. 92 Silver Elite-Goud LMR 040189	GT GT GT

Lot 99C 3 Maande dragtig van AG 09-751

LMR 130099 SPN Mat. 93 OEK 34 TKP 424 RI 99 Oud/Kalw. 6/4 Gem. SI/Kalf 92/4	PAD 090196 SPN Mat. 125 	V EI 040038 SPN Mat. 93	EI 980080 SPN Mat. 88 EI 990057 SPN Mat. 101 AG 900146 SPN Mat. 106 LAP N 0051 SPN Mat. 131 AG 950204 SPN Mat. 43 LMR 960116 SPN Mat. 114 TLB J 0030 SPN Mat. 103 LMR 920039 SPN Mat. 128
LMR 090163 SPN Mat. 90 OEK 31 TKP 368	OEK 31 SPN Mat. 127 TKP 368 Oud/Kalw. 14/12 Gem. SI/Kalf 105/11	GT GT	GT GT