

EXPLANATION OF ABBREVIATIONS IN CATALOGUE

VERDUIDELIKING VAN AFKORTINGS IN KATALOGUS

	DIRECT CALF TRAITS	DIREKTE KALF EIENSKAPPE	Kalf eienskappe
Calf traits	DIRECT CALF TRAITS	DIREKTE KALF EIENSKAPPE	Kalf eienskappe
Daughter traits	DAUGHTER TRAITS	DOGTER EIENSKAPPE	Dogter eienskappe
Growth traits	GROWTH	GROEI	Groei eienskappe
Efficiency traits	EFF	DOEL	Doeltreffendheids eienskappe
Reproduction traits	REPRODUCTION	REPRODUKSIE	Reproduksie eienskappe
Body measurements	MEASURE	MATES	Liggaamsmates
Lot number	Lot	Lot	Lotnommer
Ratio	R:	V:	Verhouding
Identification number	ID	ID	Identifikasienommer
Generation/Section of Herdbook	Gen	Gen	Generasie/Afdeling van kuddeboek
Weight in kilogram	Wgt kg	Gew kg	Gewig in kilogram
Index	Ind	Ind	Indeks
Accuracy of breeding value	Acc	Akk	Akkuraatheid van teelwaarde
Birth direct (kg)	Birth Dir	Geb Dir	Geboorte direk (kg)
Birth maternal (kg)	Birth Mat	Geb Mat	Geboorte maternaal (kg)
Wean direct (kg)	Wean Dir	Speen Dir	Speen direk (kg)
Wean maternal (kg)	Wean Mat	Speen Mat	Speen maternaal (kg)
Mature weight (kg)	Mature Wgt	Volw Gew	Volwasse gewig (kg)
365 Days (kg)	365d	365d	365 Dae (kg)
540 Days (kg)	540d	540d	540 Dae (kg)
Average daily gain (g/day)	ADG	GDT	Gemiddelde daaglikse toename (g/dag)
Feed conversion ratio	FCR	VOV	Voeromsetverhouding
Scrotal circumference (mm)	SC	SO	Skrotum omvang (mm)
Age First Calving	AFC	OEK	Ouderdom Eerste Kalwing
Inter Calving Period	ICP	TKP	Tussen Kalf Periode
Height (mm)	Hgt	Hgt	Hoogte (mm)
Length (mm)	Lgt	Lgt	Lengte (mm)
Length : Height ratio	LHR	HLV	Lengte : Hoogte verhouding
Birth weight : Cow weight ratio	BWR	GGV	Geboortegewig : Koeigewig verhouding
Wean weight : Cow weight ratio	WWR	SGV	Speengewig : Koeigewig verhouding
Age in years and months / Number of calvings	Age / Calv	Oud / Kalw	Ouderdom in jare en maande / Aantal kalwings
Average Wean index / Number of calves	Ave WI / Calf	Gem SI / Kalf	Gemiddelde Speenindeks / Aantal kalwers
Reproduction index	R.I.	R.I.	Reproduksie Indeks
Polled	Polled	Poena	Poena
Post Wean 365 days & Post Wean 540 days	PW365 & PW540	NS365 & NS540	Naspeen 365 dae & Naspeen 540 dae
Growth test & Growth test group	GT & GTg	GT & GTg	Groei Toets & Groeitoets groep
Central test	CT	ST	Sentrale toets
Ouerskap Verifikasie	OV	PV	Parentage Verification
Genomies Getoets	GT	GT	Genomically Tested
Homosigoties Poena (Celtic Toets)	PP(c)	PP(c)	Homozygous Polled (Celtic Test)
Heterosigoties Poena (Celtic Toets)	Pp(c)	Pp(c)	Heterozygous Polled (Celtic Test)
Beide Ouers Geverifieer	PV	PV	Both Parents Verified
Sire Geverifieer	SV	SV	Sire Verified
Dam Geverifieer	DV	DV	Dam Verified

FEMALE ANIMALS


Lot	Seller	ID	PARENTS	Test	Breeding Value Indexes											R:	Calf ID	Breeder Own Remarks					
					DIRECT CALF TRAITS		DAUGHTER TRAITS			GROWTH		EFF.	REP	MEASURE-MENTS									
		POLLED		Gen		SIRE	PV	Genomic Tested	Birth Dir	Wean Dir	Birth Mat	Wean Mat	Mat Wgt	Post Wean	ADG	FCR	SC	Hgt	Lgt	LHR	Birth Date (Weight)		
						DAM	PV	DNA	Acc	Acc	Acc	Acc	Acc	Acc	Acc	Acc	Acc	Acc	Acc	BWR	Sire		
						GV	PV	Birth Date	Wgt kg	Wgt kg	Ind	kg	kg	kg	365dM	540dInd	Ind	Ind	(mm)	(mm)	(mm)	WWR	GT / POLLED

Cows with Calves


51 A	SERNICK BONSMARA STOET	NFS 140022	LAR 070037	PW365	91	117	98	127	102	117	115	105	113	120	119	-	BONMNFS 200077	
			NFS 090087		1.92	21.2	-0.11	11.4	12.0	33.2	168	-57	20.1	18	40	5.69	BONMMCU 130126	
				06.04.14	35											40.2		
51 B	SERNICK BONSMARA STOET	NFS 140122	FCT 120053	PW365	81	119	90	87	117	129	122	115	113	111	107	-	BONNFNS 200094	
			ZVJ 100108	DNA	3.08	22.1	0.27	0.1	29.0	41.6	197	-78	20.2	10	24	6.92	BONMNFS 150069	
				07.05.14	36											46		
52 A	SERNICK BONSMARA STOET	NFS 140017	LAR 070037	PW365	87	117	84	76	118	118	108	106	99	102	105	-	BONMNFS 200139	
			NFS 110013		2.38	20.9	0.55	-2.8	29.0	34.0	131	-59	9.1	4	21	6.6	BONMAG 140095	
				03.04.14	33											38.6		
52 B	SERNICK BONSMARA STOET	NFS 140201	FCT 120053	PW540	80	113	98	108	115	116	113	108	110	114	113	-	BONMNFS 200064	
			ZVJ 100011	DNA	3.14	19.0	-0.08	6.2	26.0	32.8	155	-62	17.9	13	32	6.27	BONMNFS 160243	
				29.09.14	32											43.3		
53 A	SERNICK BONSMARA STOET	NFS 140073	NFS 110101	PW365	106	111	110	99	124	117	111	112	111	113	111	-	BONMNFS 200128	
			NFS 100139		0.37	18.3	-0.63	3.6	37.0	33.3	148	-71	18.6	12	29	5.44	BONMNFS 170286	
				23.04.14	31											47.6		
53 B	SERNICK BONSMARA STOET	NFS 140195	DKN 090345	PW540	97	114	106	91	116	115	120	113	109	109	104	-	BONMNFS 200037	
			NFS 120043		1.32	19.8	-0.45	1.3	27.0	32.0	187	-74	17.2	9	20	7.5	BONMLAR 140064	
				28.09.14	30											56.5		

1.02	13.3	-0.19	3.8	10	21.7	96	-46	9.6	2	14
------	------	-------	-----	----	------	----	-----	-----	---	----


Lot 51A

<p>NFS 140022 SPN Mat. 127 AFC 24 ICP 367 RI 120 Age/Calv. 6/5 Avg. WI/Calf 109/3</p>	<p>LAR 070037 SPN Mat. 98</p> 	<p>BG 040088 SPN Mat. 112</p> <p>LAR 040240 AFC * ICP 608 SPN Mat. 102 Age/Calv. */8 Avg. WI/Calf 100/6</p> <p>NFS 060243 SPN Mat. 136 Gold Elite-Gold</p> <p>NFS 070233 SPN Mat. 114 Age/Calv. 11/10 Avg. WI/Calf 103/8</p>	<p>BG 020058 SPN Mat. 116 BG 000021 SPN Mat. 100 AG 000257 SPN Mat. 103 LAR 990240 SPN Mat. 84 AG 020338 SPN Mat. 111 T 030046 SPN Mat. 151 A EJ 020067 SPN Mat. 94 T 020044 SPN Mat. 131</p>


Lot 51B

<p>NFS 140122 SPN Mat. 87 AFC 29 ICP 429 RI 106 Age/Calv. 6/4 Avg. WI/Calf 100/3</p>	<p>FCT 120053 SPN Mat. 85</p> 	<p>FCT 080201 SPN Mat. 110</p> <p>FCT 080094 AFC 35 ICP 370 SPN Mat. 83 Age/Calv. 7/5 Avg. WI/Calf 101/3</p> <p>BEI 070107 SPN Mat. 122</p> <p>HJS 040356 AFC 29 ICP 419 SPN Mat. 78 Age/Calv. 7/5 Avg. WI/Calf 96/5</p>	<p>WAT 050342 SPN Mat. 91 EI 010452 SPN Mat. 155 FCT 050127 SPN Mat. 74 FCT 990098 SPN Mat. 90 BEI 020134 SPN Mat. 88 BEI 040046 SPN Mat. 102 MMJ 980012 SPN Mat. 95 HJS 000036 SPN Mat. 81</p>


Lot 52A

<p>NFS 140017 SPN Mat. 76 AFC 24 ICP 369 RI 119 Age/Calv. 6/5 Avg. WI/Calf 99/5</p>	<p>LAR 070037 SPN Mat. 98</p> 	<p>BG 040088 SPN Mat. 112</p> <p>LAR 040240 AFC * ICP 608 SPN Mat. 102 Age/Calv. */8 Avg. WI/Calf 100/6</p> <p>NFS 080032 SPN Mat. 119 Gold</p> <p>NFS 060176 SPN Mat. 65 Age/Calv. 6/4 Avg. WI/Calf 95/4</p>	<p>BG 020058 SPN Mat. 116 BG 000021 SPN Mat. 100 AG 000257 SPN Mat. 103 LAR 990240 SPN Mat. 84 NFS 050325 SPN Mat. 122 NFS 060055 SPN Mat. 139 FCT 000188 SPN Mat. 70 NFS 980107 SPN Mat. 82</p>


Lot 52B

<p>NFS 140201 SPN Mat. 108 AFC 24 ICP 431 RI 112 Age/Calv. 6/4 Avg. WI/Calf 109/2</p>	<p>FCT 120053 SPN Mat. 85</p> 	<p>FCT 080201 SPN Mat. 110</p> <p>FCT 080094 AFC 35 ICP 370 SPN Mat. 83 Age/Calv. 7/5 Avg. WI/Calf 101/3</p> <p>AG 060139 SPN Mat. 100</p> <p>HJS 020234 AFC 31 ICP 448 SPN Mat. 131 Age/Calv. 9/6 Avg. WI/Calf 106/6</p>	<p>WAT 050342 SPN Mat. 91 EI 010452 SPN Mat. 155 FCT 050127 SPN Mat. 74 FCT 990098 SPN Mat. 90 AG 030205 SPN Mat. 84 AG 980128 SPN Mat. 106 AVZ 970028 SPN Mat. 125 HJS 000014 SPN Mat. 88</p>

Lot 53A

<p>NFS 140073 SPN Mat. 99 AFC 29 ICP 441 RI 105 Age/Calv. 6/4 Avg. WI/Calf 104/2</p>	<p>NFS 110101 SPN Mat. 100 Silver</p> 	<p>NFS 080032 SPN Mat. 119 Gold</p> <p>NFS 000257 AFC 31 ICP 378 SPN Mat. 108 Age/Calv. 14/12 Avg. WI/Calf 98/12</p> <p>NFS 050252 SPN Mat. 82 Gold</p> <p>NFS 080249 AFC 22 ICP 397 SPN Mat. 78 Age/Calv. 9/8 Avg. WI/Calf 93/8</p>	<p>NFS 050325 SPN Mat. 122 NFS 060055 SPN Mat. 139 NFS 960350 SPN Mat. 117 NFS 960197 SPN Mat. 109 FCT 000188 SPN Mat. 70 NFS 000030 SPN Mat. 111 ZAK 030082 SPN Mat. 65 NFS 030263 SPN Mat. 121</p>



Lot 53B

<p>NFS 140195 SPN Mat. 91 AFC 26 ICP 413 RI 113 Age/Calv. 6/4 Avg. WI/Calf 105/3</p>	<p>DKN 090345 SPN Mat. 74</p> 	<p>GJN 030098 SPN Mat. 58 Bronze Elite-Gold</p> <p>DKN 040054 AFC 38 ICP 413 SPN Mat. 110 Age/Calv. 10/7 Avg. WI/Calf 103/7</p> <p>NFS 060243 SPN Mat. 136 Gold</p> <p>NFS 040123 AFC 31 ICP 458 SPN Mat. 79 Age/Calv. 8/5 Avg. WI/Calf 96/5</p>	<p>RCO 980082 SPN Mat. 63 GJN 990013 SPN Mat. 91 RGR 960095 SPN Mat. 96 DKN 990053 SPN Mat. 114 AG 020338 SPN Mat. 111 T 030046 SPN Mat. 151 FCT 960024 SPN Mat. 83 T 000046 SPN Mat. 64</p>

VROULIKE DIERE



Lot	Verkoper	ID	POENA	Gen	OUERS		Toets	Teelwaarde indekse										Kalf ID	Gebruiker Eie Opmerkings				
					VADER GV OV	MOEDER GV OV		Genomies Getoets	DNS	Geb Dir	Speen Dir	Geb Mat	Speen Mat	Volw Gew	Naspeen	GDT	VOV			SO	Hgt	Lgt	LHV
					Geb. dat.	Gew kg	Gew kg	Ind	kg	kg	kg	365dM	540d Ind	Ind	Ind	(mm)	(mm)	(mm)	GT / POLLED				
Koeie met Kalwers																							
54 A	SERNICK BONSMARA STOET	NFS 140003	SP	JMP 100106	NS365	97	106	104	118	119	119	128	123	104	113	111	-	BONMFNS 200010					
						1.33	15.8	-0.35	8.9	30.0	34.8	227	-94	12.5	12	30				30.03.20 (32)			
				NFS 110160	23.03.14	82	77	73	76	70	56	58	63	64	65	63	6.6	BONMCEF 130317					
						31												42.7					
Dragtige Koeie																							
54 B	SERNICK BONSMARA STOET	NFS 140183	SP	LAR 070037	NS540	99	102	97	99	108	103	109	101	97	102	101	-	340					
						1.14	14.2	-0.06	3.5	18.0	23.6	137	-49	7.5	3	15				5.7	7-9 Mnde dragtig van HDT 16-077 (01/07/19-09/09/19)		
				NFS 060173	25.09.14	82	78	73	77	72	72	61	60	64	65	64	5.57						
						32												41.8	3				
Koeie met Kalwers																							
55 A	SERNICK BONSMARA STOET	NFS 140084	SP	FDS 100119	NS365	106	104	104	91	99	105	107	109	107	94	102	-	BONMFNS 200141					
						0.37	15.2	-0.36	1.4	9.0	25.3	131	-65	15.2	-4	17				4.72	01.05.20 (32)		
				NFS 110054	26.04.14	83	78	77	77	71	58	57	60	62	62	61					BONMAG 140095		
						30												35.4					
55 B	SERNICK BONSMARA STOET	NFS 140090	SP	NFS 110101	NS365	111	99	105	77	108	105	91	100	86	91	93	-	BONMFNS 200015					
						-0.10	12.7	-0.43	-2.6	18.0	25.0	56	-47	-1.8	-6	5				5.66	04.04.20 (30)		
				NFS 110006	27.04.14	83	78	77	76	65	61	56	57	58	59	58					BONMLAR 140064		
						30												39.6					
56 A	SERNICK BONSMARA STOET	NFS 140075	SP	NFS 110145	NS365	93	119	93	90	99	118	104	106	92	109	107	-	BONMFNS 200138					
						1.80	21.9	0.14	1.0	9.0	34.3	116	-59	3.2	9	24				6.67	01.05.20 (38)		
				NFS 060102	23.04.14	82	77	71	74	70	60	57	61	62	62	61					BONMLAR 150117		
						42												43.7					
56 B	SERNICK BONSMARA STOET	NFS 140219	SP	FCT 120053	NS540	95	122	130	96	109	113	130	117	115	118	118	-	BONMFNS 200025					
						1.50	23.3	-1.54	2.6	20.0	30.8	237	-82	21.3	17	40				5.77	06.04.20 (37)		
				ZVJ 100073	DNS	83	78	74	74	64	72	61	63	65	66	64					BONMCEF 140311		
					03.10.14	30												47.4					

Lot 54A



<p>NFS 140003 SPN Mat. 118 OEK 25 TKP 361 RI 120 Oud/Kalw. 6/5 Gem. Si/Kalf 106/4</p>		<p>JMP 100106 SPN Mat. 117 Goud</p> <p>NFS 110160 SPN Mat. 112 Oud/Kalw. 5/4 Gem. Si/Kalf 99/4</p>		<p>JMP 050276 SPN Mat. 81 Goud</p> <p>JMP 030043 OEK 29 SPN Mat. 105 TKP 410 Oud/Kalw. 9/7 Gem. Si/Kalf 99/6</p> <p>NFS 060243 SPN Mat. 136 Goud</p> <p>NFS 080207 OEK 25 SPN Mat. 76 TKP 340 Oud/Kalw. 3/2 Gem. Si/Kalf 93/2</p>	<p>MNE 010013 SPN Mat. 75 JMP 960137 SPN Mat. 115 AG 950284 SPN Mat. 58 JMP 980052 SPN Mat. 125 AG 020338 SPN Mat. 111 T 030046 SPN Mat. 151 ZAK 030082 SPN Mat. 65 NFS 040031 SPN Mat. 101</p>
--	---	--	---	---	---

Lot 54B



7-9 Mnde dragtig van HDT 16-077 (01/07/19-09/09/19)

<p>NFS 140183 SPN Mat. 99 OEK 25 TKP 478 RI 108 Oud/Kalw. 5/3 Gem. Si/Kalf 97/3</p>		<p>LAR 070037 SPN Mat. 98</p> <p>NFS 060173 OEK 28 SPN Mat. 123 TKP 364 Oud/Kalw. 12/11 RI 116 Gem. Si/Kalf 103/10</p>		<p>BG 040088 SPN Mat. 112</p> <p>LAR 040240 OEK * SPN Mat. 102 TKP 608 Oud/Kalw. */8 Gem. Si/Kalf 100/6</p> <p>ZAK 030013 SPN Mat. 94</p> <p>NFS 940381 OEK 29 SPN Mat. 114 TKP 400 Oud/Kalw. 14/12 Gem. Si/Kalf 106/10</p>	<p>BG 020058 SPN Mat. 116 BG 000021 SPN Mat. 100 AG 000257 SPN Mat. 103 LAR 990240 SPN Mat. 84 AG 960059 SPN Mat. 110 ZAK 980049 SPN Mat. 104 AG 900088 SPN Mat. 76 NFS 910305 SPN Mat. 84</p>
--	---	--	---	---	--



Lot 55A

<p>NFS 140084 SPN Mat. 91 OEK 24 TKP 370 RI 120 Oud/Kalw. 6/5 Gem. Si/Kalf 102/4</p>		<p>FDS 100119 SPN Mat. 85</p> <p>NFS 110054 SPN Mat. 88 Oud/Kalw. 8/7 Gem. Si/Kalf 96/6</p>		<p>BEI 060124 SPN Mat. 78 Elite-Silwer</p> <p>FDS 070024 OEK 30 SPN Mat. 94 TKP 367 Oud/Kalw. 8/6 Gem. Si/Kalf 96/6</p> <p>NFS 050252 SPN Mat. 82 Goud</p> <p>NFS 090009 OEK 25 SPN Mat. 105 TKP 412 Oud/Kalw. 7/5 Gem. Si/Kalf 103/5</p>	<p>JJF 930050 SPN Mat. 63 BEI 000006 SPN Mat. 73 NFS 010276 SPN Mat. 71 FDS 990025 SPN Mat. 124 FCT 000188 SPN Mat. 70 NFS 000030 SPN Mat. 111 NFS 060281 P SPN Mat. 115 NFS 070057 SPN Mat. 83</p>
---	---	---	---	---	---



Lot 55B

<p>NFS 140090 SPN Mat. 77 OEK 24 TKP 358 RI 121 Oud/Kalw. 6/5 Gem. Si/Kalf 93/3</p>		<p>NFS 110101 SPN Mat. 100 Silver</p> <p>NFS 110006 OEK 25 SPN Mat. 76 TKP 362 Oud/Kalw. 9/8 RI 119 Gem. Si/Kalf 97/8</p>		<p>NFS 080032 SPN Mat. 119 Goud</p> <p>NFS 000257 OEK 31 SPN Mat. 108 TKP 378 Oud/Kalw. 14/12 Gem. Si/Kalf 98/12</p> <p>NFS 050252 SPN Mat. 82 Goud Elite-Silwer</p> <p>NFS 090006 OEK 24 SPN Mat. 94 TKP 390 Oud/Kalw. 9/8 Gem. Si/Kalf 94/8</p>	<p>NFS 050325 SPN Mat. 122 NFS 060055 SPN Mat. 139 NFS 960350 SPN Mat. 117 NFS 960197 SPN Mat. 109 FCT 000188 SPN Mat. 70 NFS 000030 SPN Mat. 111 NFS 060039 SPN Mat. 114 NFS 050175 SPN Mat. 81</p>
--	---	---	---	---	--

Lot 56A

<p>NFS 140075 SPN Mat. 90 OEK 24 TKP 493 RI 105 Oud/Kalw. 6/4 Gem. Si/Kalf 98/3</p>		<p>NFS 110145 SPN Mat. 102</p> <p>NFS 060102 OEK 25 SPN Mat. 101 TKP 419 Oud/Kalw. 14/11 RI 108 Gem. Si/Kalf 97/10</p>		<p>NFS 070163 SPN Mat. 84 Silver</p> <p>NFS 040179 OEK 30 SPN Mat. 125 TKP 403 Oud/Kalw. 8/6 Gem. Si/Kalf 99/6</p> <p>KAN 010078 SPN Mat. 87 Elite-Goud</p> <p>NFS 010064 OEK 30 SPN Mat. 111 TKP 384 Oud/Kalw. 14/12 Gem. Si/Kalf 96/11</p>	<p>ZAK 030082 SPN Mat. 65 T 000089 SPN Mat. 89 FCT 990022 SPN Mat. 121 NFS 990033 SPN Mat. 102 KAN 980080 SPN Mat. 104 KAN 970041 SPN Mat. 104 NFS 960350 SPN Mat. 117 NFS 940381 SPN Mat. 114</p>
--	---	--	---	--	--

Lot 56B

<p>NFS 140219 SPN Mat. 96 OEK 30 TKP 366 RI 113 Oud/Kalw. 6/4 Gem. Si/Kalf 103/3</p>		<p>FCT 120053 SPN Mat. 85</p> <p>ZVJ 100073 OEK 31 SPN Mat. 109 TKP 457 Oud/Kalw. 5/3 RI 100 Gem. Si/Kalf 100/3</p>		<p>FCT 080201 SPN Mat. 110</p> <p>FCT 080094 OEK 35 SPN Mat. 83 TKP 370 Oud/Kalw. 7/5 Gem. Si/Kalf 101/3</p> <p>BEI 070107 SPN Mat. 122</p> <p>HJS 030154 OEK 29 SPN Mat. 116 TKP 420 Oud/Kalw. 10/8 Gem. Si/Kalf 103/7</p>	<p>WAT 050342 SPN Mat. 91 EI 010452 SPN Mat. 155 FCT 050127 SPN Mat. 74 FCT 990098 SPN Mat. 90 BEI 020134 SPN Mat. 88 BEI 040046 SPN Mat. 102 HJS 970048 SPN Mat. 115 HJS 980125 SPN Mat. 133</p>
---	---	---	---	---	---

FEMALE ANIMALS

Lot	Seller	ID	PARENTS	Test	Breeding Value Indexes											R:	Calf ID	Breeder Own Remarks					
					DIRECT CALF TRAITS		DAUGHTER TRAITS			GROWTH		EFF.	REP	MEASUREMENTS									
		POLLED		Gen		SIRE	PV	Genomic Tested	Birth Dir	Wean Dir	Birth Mat	Wean Mat	Mat Wgt	Post Wean	ADG	FCR	SC	Hgt	Lgt	LHR	Birth Date (Weight)		
						DAM	PV	DNA	Acc	Acc	Acc	Acc	Acc	Acc	Acc	Acc	Acc	Acc	Acc	BWR	Sire		
						GV	PV	Birth Date	Wgt kg	Wgt kg	Ind	kg	kg	kg	365dM	540dInd	Ind	Ind	(mm)	(mm)	(mm)	WWR	GT / POLLED

Cows with Calves

57 A	SERNICK BONSMARA STOET	NFS 140110	FCT 120035	PW365	101	97	113	115	89	97	104	109	107	87	97	-	BONFNFS 200058
			<input checked="" type="checkbox"/>		0.89	12.0	-0.77	7.9	-2.0	19.5	113	-64	15.5	-9	10	6.6	14.04.20 (37)
			SSK 060043	DNA	83	69	74	74	60	55	55	57	60	61	59		BONMHDT 160077
				03.05.14	33											43.3	
57 B	SERNICK BONSMARA STOET	NFS 140159	FCT 120017	PW365	101	98	90	95	96	100	102	104	105	96	98	-	BONMNFS 200171
			<input checked="" type="checkbox"/>		0.94	12.3	0.27	2.4	5.0	21.6	105	-54	14.0	-2	12	5.45	07.05.20 (43)
			ZVJ 100082	DNA	82	77	71	73	69	60	51	53	57	58	56		BONMNFS 160243
				10.06.14	30											41	

Pregnant Cows


58 A	SERNICK BONSMARA STOET	NFS 140314	JMP 100228	PW540	107	95	95	88	70	92	85	98	95	84	85	-	371	
			<input checked="" type="checkbox"/>		0.25	11.0	0.05	0.6	-23.0	16.2	28	-43	5.9	-11	-7	9.06	5.5	7-9 Mnde dragtig van AG 14-095 (01/07/19-09/09/19)
			NFS 120305		79	75	66	72	67	65	52	56	57	58	56			
				16.11.14	29											60.7	3	

Cows with Calves

58 B	SERNICK BONSMARA STOET	NFS 140365	FCT 120053	PW540	104	105	115	82	85	108	100	98	109	96	102	-	BONMNFS 200176
			<input checked="" type="checkbox"/>		0.59	15.6	-0.86	-1.2	-7.0	27.3	97	-43	17.2	-2	16	7.84	09.05.20 (30)
			ZVJ 110081	DNA	81	76	70	71	65	70	54	52	55	55	55		BONMAG 140095
				07.12.14	29											57.9	
59 A	SERNICK BONSMARA STOET	NFS 140008	NFS 080032	PW365	118	96	122	102	105	102	101	113	89	97	100	-	BONFNFS 200024
			<input checked="" type="checkbox"/>		-0.89	11.3	-1.21	4.3	16.0	23.3	102	-73	0.8	-1	14	5.49	06.04.20 (22)
			NFS 100129		81	76	74	75	73	66	62	64	66	67	65		BONMEHE 160585
				28.03.14	28											42	
59 B	SERNICK BONSMARA STOET	NFS 140158	FCT 120035	PW365	111	93	97	108	91	95	103	103	106	89	98	-	BONFNFS 200144
			<input checked="" type="checkbox"/>		-0.10	10.2	-0.06	6.0	0.0	18.4	110	-52	14.1	-8	11	4.92	02.05.20 (35)
			HJS 050360	DNA	83	79	74	77	66	60	55	57	61	61	60		BONMHDT 160077
				03.06.14	32											38.1	


1.02	13.3	-0.19	3.8	10	21.7	96	-46	9.6	2	14
------	------	-------	-----	----	------	----	-----	-----	---	----

Lot 57A


<p>NFS 140110 SPN Mat. 115 AFC 23 ICP 365 RI 121 Age/Calv. 6/5 Avg. WI/Calf 103/3</p>	<p>FCT 120035 SPN Mat. 100</p> 	<p>FCT 090080 SPN Mat. 104</p>	<p>LAR 030376 SPN Mat. 111 FCT 050163 SPN Mat. 102 FCT 070121 SPN Mat. 76 FCT 040144 SPN Mat. 106 AG J 0008 SPN Mat. 88 BHE 950143 SPN Mat. 116 CNB 950184 SPN Mat. 113 SSK 980015 SPN Mat. 108</p>

AFC 34 SPN Mat. 107
 ICP 388 Age/Calv. 13/11
 RI 108 Avg. WI/Calf 101/10


Lot 57B

<p>NFS 140159 SPN Mat. 95 AFC 29 ICP 428 RI 107 Age/Calv. 6/4 Avg. WI/Calf 93/3</p>	<p>FCT 120017 SPN Mat. 109</p>  <p>Elite-Silver ZVJ 100082</p>	<p>FCT 080118 SPN Mat. 94</p>	<p>FCT 050041 SPN Mat. 97 FCT 050072 SPN Mat. 98 FCT 050041 SPN Mat. 97 FCT 060010 SPN Mat. 117 PHR 030036 SPN Mat. 117 PHR 030097 SPN Mat. 112 GBS 980034 SPN Mat. 90 MRW 970084 SPN Mat. 78</p>


Lot 58A 7-9 Mnde dragtig van AG 14-095 (01/07/19-09/09/19)

<p>NFS 140314 SPN Mat. 88 AFC 29 ICP 386 RI 112 Age/Calv. 4/3 Avg. WI/Calf 98/3</p>	<p>JMP 100228 SPN Mat. 86 Bronze</p> 	<p>JMP 060278 SPN Mat. 86 Gold</p>	<p>JMP 030268 SPN Mat. 86 JMP 040101 SPN Mat. 100 JMP 030268 SPN Mat. 86 JMP 040028 SPN Mat. 109 ZAK 030082 SPN Mat. 65 T 000089 SPN Mat. 89 JMP 050311 SPN Mat. 79 JMP 060371 SPN Mat. 67</p>


Lot 58B

<p>NFS 140365 SPN Mat. 82 AFC 28 ICP 561 RI 94 Age/Calv. 5/3 Avg. WI/Calf 97/2</p>	<p>FCT 120053 SPN Mat. 85</p>  <p>ZVJ 110081</p>	<p>FCT 080201 SPN Mat. 110</p>	<p>WAT 050342 SPN Mat. 91 EI 010452 SPN Mat. 155 FCT 050127 SPN Mat. 74 FCT 990098 SPN Mat. 90 LAR 010176 SPN Mat. 83 AG 970157 SPN Mat. 106 MRW 970190 SPN Mat. 109 MRW 970089 SPN Mat. 91</p>

Lot 59A

<p>NFS 140008 SPN Mat. 102 AFC 30 ICP 425 RI 105 Age/Calv. 6/4 Avg. WI/Calf 105/3</p>	<p>NFS 080032 SPN Mat. 119 Gold</p> 	<p>NFS 050325 SPN Mat. 122 Gold</p>	<p>FCT 990022 SPN Mat. 121 NFS 980299 SPN Mat. 109 DFP 000173 SPN Mat. 124 NFS 020175 SPN Mat. 116 ZAK 030082 SPN Mat. 65 T 000089 SPN Mat. 89 EI 990287 SPN Mat. 99 NFS 030263 SPN Mat. 121</p>

Lot 59B

<p>NFS 140158 SPN Mat. 108 AFC 22 ICP 371 RI 121 Age/Calv. 6/5 Avg. WI/Calf 98/4</p>	<p>FCT 120035 SPN Mat. 100</p>  <p>HJS 050360</p>	<p>FCT 090080 SPN Mat. 104</p>	<p>LAR 030376 SPN Mat. 111 FCT 050163 SPN Mat. 102 FCT 070121 SPN Mat. 76 FCT 040144 SPN Mat. 106 NPT 910022 SPN Mat. 107 BHE 950104 SPN Mat. 110 HJS 940030 SPN Mat. 108 HJS 960107 SPN Mat. 99</p>


VROULIKE DIERE

Lot	Verkoper	ID	OUERS	Toets	Teelwaarde indekse												Dae Oop	Gebruiker Eie Opmerkings			
					VADER GV OV	Genomies Getoets	Geb Dir	Speen Dir	Geb Mat	Speen Mat	Volwas- se Gewig	Naspeen		GDT	VOV	SO			Hgt	Lgt	LHV
												Nageslag Geboorte- gewig	Nageslag Speengewig								
POENA	MOEDER GV OV	DNS	Akk	Akk	Akk	Akk	Akk	Akk	Akk	Akk	Akk	Akk	Akk	Akk	Akk	SGV	Oud				
Gen		Geb. dat.	Gew kg	Gew kg	Ind	kg	kg	kg	365d Ind	540d Ind	Ind	Ind	(mm)	(mm)	(mm)		Kalwers				


Dragtige Koeie

60 A	SERNICK BONSMARA STOET	NFS 140036	LAR 070037	NS365	76	125	82	101	118	119	103	95	113	117	117	-	366	
					3.55	24.5	0.61	4.2	30.0	34.8	110	-35	20.3	15	37	5.41	6.1	
			NFS 060435	12.04.14	40													
60 B	SERNICK BONSMARA STOET	NFS 140302	CRV 100143	NS365	76	113	87	128	107	121	115	119	99	112	107	-	607	
					3.59	19.2	0.38	11.4	18.0	36.1	165	-85	9.1	11	23	6.61	6.1	
			NFS 070265	25.04.14	41													
62 A	SERNICK BONSMARA STOET	NFS 140112	DKN 090345	NS365	86	109	104	95	94	109	111	102	107	107	104	-	555	7-9 Mnde dragtig van NFS 17-286 (01/07/19-09/09/19)
					2.49	17.3	-0.36	2.5	3.0	28.1	148	-51	14.9	7	20	6.67	6.1	
			NFS 110197	04.05.14	34													
62 B	SERNICK BONSMARA STOET	NFS 140359	DKN 090345	NS540	121	103	114	72	79	100	102	97	100	99	97	-	573	7-9 Mnde dragtig van LAR 15-117 (01/07/19-09/09/19)
					-1.20	14.8	-0.85	-3.8	-14.0	21.8	105	-41	9.9	1	11	6.76	5.5	
			NFS 120080	28.11.14	23													
63 A	SERNICK BONSMARA STOET	NFS 140052	NFS 110101	NS365	110	98	99	100	101	100	101	103	98	97	101	-	382	7-9 Mnde dragtig van HDT 16-077 (01/07/19-09/09/19)
					-0.03	12.6	-0.13	3.8	11.0	21.6	103	-52	8.4	-1	15	5.79	6.1	
			NFS 090124	16.04.14	31													
63 B	SERNICK BONSMARA STOET	NFS 140085	CRV 100143	NS365	86	101	88	130	111	105	108	115	102	102	101	-	343	7-9 Mnde dragtig van HDT 16-077 (01/07/19-09/09/19)
					2.50	13.8	0.35	12.0	22.0	25.1	131	-78	11.0	3	16	5.29	6.1	
			NFS 030252	26.04.14	37													

Lot 60A


<p>NFS 140036 SPN Mat. 101 OEK 24 TKP 374 RI 119 Oud/Kalw. 5/4 Gem. SI/Kalf 104/3</p>		<p>LAR 070037 SPN Mat. 98</p>	<p>BG 040088 SPN Mat. 112</p>	<p>BG 020058 SPN Mat. 116 BG 000021 SPN Mat. 100 AG 000257 SPN Mat. 103 LAR 990240 SPN Mat. 84 RCO 960159 SPN Mat. 92 GV 950095 SPN Mat. 117 FCT 960024 SPN Mat. 83 T 960052 SPN Mat. 140</p>	<p>LAR 040240 OEK * TKP 608 SPN Mat. 102 Oud/Kalw. */8 Gem. SI/Kalf 100/6</p> <p>DFP 000173 SPN Mat. 124</p> <p>T 010057 OEK 36 TKP 451 SPN Mat. 105 Oud/Kalw. 14/10 Gem. SI/Kalf 100/9</p>
--	---	--	--	---	--

Lot 60B

<p>NFS 140302 SPN Mat. 128 OEK 29 TKP 371 RI 114 Oud/Kalw. 4/3 Gem. SI/Kalf 106/2</p>		<p>CRV 100143 SPN Mat. 123 Goud</p>	<p>ZAK 050115 SPN Mat. 109</p>	<p>VV 020258 SPN Mat. 99 ZAK 980059 SPN Mat. 105 VV 030016 SPN Mat. 123 VV 960119 SPN Mat. 140 AEJ 970106 SPN Mat. 69 AEJ 960026 SPN Mat. 142 T 970060 SPN Mat. 94 T 960066 SPN Mat. 125</p>	<p>Elite-Goud VV 060125 OEK 28 TKP 372 SPN Mat. 150 Oud/Kalw. 14/12 Gem. SI/Kalf 108/10</p> <p>AEJ 020067 SPN Mat. 94</p> <p>T 010048 OEK 37 TKP 358 SPN Mat. 103 Oud/Kalw. 6/4 Gem. SI/Kalf 100/4</p>
--	---	--	---	--	--


Lot 62A

7-9 Mnde dragtig van NFS 17-286 (01/07/19-09/09/19)

<p>NFS 140112 SPN Mat. 95 OEK 29 TKP 387 RI 112 Oud/Kalw. 5/3 Gem. SI/Kalf 98/3</p>		<p>DKN 090345 SPN Mat. 74</p>	<p>RCO 980082 SPN Mat. 63 GJN 990013 SPN Mat. 91 RGR 960095 SPN Mat. 96 DKN 990053 SPN Mat. 114 AG 020338 SPN Mat. 111 T 030046 SPN Mat. 151 NFS 940157 SPN Mat. 72 NFS 960137 SPN Mat. 127</p>	<p>GJN 030098 SPN Mat. 58 Brons Elite-Goud</p> <p>DKN 040054 OEK 38 TKP 413 SPN Mat. 110 Oud/Kalw. 10/7 Gem. SI/Kalf 103/7</p> <p>NFS 060243 V SPN Mat. 136 Goud</p> <p>NFS 980264 OEK 36 TKP 390 SPN Mat. 119 Oud/Kalw. 13/10 Gem. SI/Kalf 108/9</p>
--	---	--	---	---


Lot 62B

7-9 Mnde dragtig van LAR 15-117 (01/07/19-09/09/19)

<p>NFS 140359 SPN Mat. 72 OEK 34 TKP 382 RI 101 Oud/Kalw. 4/2 Gem. SI/Kalf 98/2</p>		<p>DKN 090345 SPN Mat. 74</p>	<p>RCO 980082 SPN Mat. 63 GJN 990013 SPN Mat. 91 RGR 960095 SPN Mat. 96 DKN 990053 SPN Mat. 114 ZAK 030082 SPN Mat. 65 NFS 070057 SPN Mat. 83 NFS 070163 SPN Mat. 84 NFS 050248 SPN Mat. 124</p>	<p>GJN 030098 SPN Mat. 58 Brons Elite-Goud</p> <p>DKN 040054 OEK 38 TKP 413 SPN Mat. 110 Oud/Kalw. 10/7 Gem. SI/Kalf 103/7</p> <p>NFS 100084 V SPN Mat. 65 Silver</p> <p>NFS 100022 OEK 29 TKP 383 SPN Mat. 96 Oud/Kalw. 7/5 Gem. SI/Kalf 97/5</p>
--	---	--	--	--


Lot 63A

7-9 Mnde dragtig van HDT 16-077 (01/07/19-09/09/19)

<p>NFS 140052 SPN Mat. 100 OEK 26 TKP 351 RI 120 Oud/Kalw. 5/4 Gem. SI/Kalf 103/4</p>		<p>NFS 110101 SPN Mat. 100 Silver</p>	<p>NFS 050325 SPN Mat. 122 NFS 060055 SPN Mat. 139 NFS 960350 SPN Mat. 117 NFS 960197 SPN Mat. 109 KAN 010078 SPN Mat. 87 NFS 030052 SPN Mat. 134 AG 030214 SPN Mat. 97 NFS 010265 SPN Mat. 102</p>	<p>V SPN Mat. 119 Goud</p> <p>NFS 000257 OEK 31 TKP 378 SPN Mat. 108 Oud/Kalw. 14/12 Gem. SI/Kalf 98/12</p> <p>NFS 060039 A SPN Mat. 114 Brons</p> <p>NFS 070061 OEK 29 TKP 361 SPN Mat. 101 Oud/Kalw. 12/11 Gem. SI/Kalf 99/9</p>
--	---	--	---	--

Lot 63B

7-9 Mnde dragtig van HDT 16-077 (01/07/19-09/09/19)

<p>NFS 140085 SPN Mat. 130 OEK 24 TKP 380 RI 119 Oud/Kalw. 5/4 Gem. SI/Kalf 100/3</p>		<p>CRV 100143 SPN Mat. 123 Goud</p>	<p>ZAK 050115 SPN Mat. 109</p>	<p>VV 020258 SPN Mat. 99 ZAK 980059 SPN Mat. 105 VV 030016 SPN Mat. 123 VV 960119 SPN Mat. 140 NFS 910007 SPN Mat. 96 NFS 940219 SPN Mat. 123 NFS 950049 SPN Mat. 98 NFS 930269 SPN Mat. 135</p>	<p>Elite-Goud VV 060125 OEK 28 TKP 372 SPN Mat. 150 Oud/Kalw. 14/12 Gem. SI/Kalf 108/10</p> <p>NFS 970026 SPN Mat. 117</p> <p>NFS 990329 OEK 37 TKP 379 SPN Mat. 148 Oud/Kalw. 11/9 Gem. SI/Kalf 108/9</p>
--	---	--	---	--	--

FEMALE ANIMALS

Lot	Seller	ID	PARENTS	Test	Breeding Value Indexes												Days Open	Breeder Own Remarks			
					DIRECT CALF TRAITS		DAUGHTER TRAITS			GROWTH		EFF.	REP	MEASURE-MENTS					R:		
					Progeny Birth Weight	Progeny Wean Weight	Ease of Calving	Milk prod.	Mature Weight	Post Wean Weight	Daily Gain	Feed Conv			Height & Length						
POLLED	Gen	SIRE GV PV	DAM GV PV	Genomic Tested DNA	Birth Dir		Wean Dir		Birth Mat	Wean Mat	Mat Wgt	Post Wean		ADG	FCR	SC	Hgt	Lgt	LHR	Age	
					Acc	Acc	Acc	Acc	Acc	Acc	Acc	Acc	Acc	Acc	Acc	Acc	Acc	Acc	Acc		BWR
					Birth Date	Wgt kg	Wgt kg	Ind	kg	kg	kg	365d Ind	540d Ind	Ind	Ind	(mm)	(mm)	(mm)	WWR		Calves

Pregnant Cows


64 A	SERNICK BONSMARA STOET	NFS 140304 SP	CRV 100143	PW365	99	109	114	102	89	105	103	107	100	106	101	-	399	7-9 Mnde dragtig van AG 14-095 (01/07/19-09/09/19)
			NFS 080167		1.09	17.3	-0.82	4.5	-2.0	25.2	108	-61	9.7	6	16	5.08	6.1	
				02.05.14	30													
64 B	SERNICK BONSMARA STOET	NFS 140392 SP	JMP 100228	PW540	92	106	104	116	93	105	93	95	98	96	99	-	355	
			NFS 120133		1.89	16.2	-0.36	8.3	2.0	25.5	66	-35	7.9	-2	12	7.32	5.4	
				14.12.14	30													

Cows with Calves


65 A	SERNICK BONSMARA STOET	NFS 170112 SP	NFS 140151	PW365	92	110	107	116	102	110	98	100	110	104	102	-	BONMNFS 200043	
			NFS 120126	DNA	1.92	18.1	-0.52	8.2	12.0	29.0	88	-47	17.9	5	17	4.86	12.04.20 (39)	
				07.05.17	34													
65 B	SERNICK BONSMARA STOET	NFS 170122 SP	JRP 120081	PW365	90	122	126	78	117	119	110	111	98	103	108	-	BONFNFS 200042	
			NFS 090061	DNA	2.05	23.2	-1.36	-2.2	28.0	34.9	143	-69	7.8	4	25	4.53	11.04.20 (33)	
				09.05.17	33													
66 A	SERNICK BONSMARA STOET	NFS 170128 SP	NFS 110101	PW365	91	109	87	99	108	113	106	112	108	110	105	-	BONFNFS 200104	
			HJS 050317	DNA	2.01	17.5	0.40	3.4	19.0	30.9	125	-72	15.9	9	21	5.08	25.04.20 (32)	
				10.05.17	36													
66 B	SERNICK BONSMARA STOET	NFS 170269 SP	PER 130086	PW365	108	102	125	91	92	101	117	106	107	103	103	-	BONMNFS 200129	
			NFS 150052	DNA	0.21	14.3	-1.33	1.2	1.0	22.6	176	-60	15.3	4	18	7.01	29.04.20 (26)	
				22.09.17	33													

1.02	13.3	-0.19	3.8	10	21.7	96	-46	9.6	2	14
------	------	-------	-----	----	------	----	-----	-----	---	----


Lot 64A 7-9 Mnde dragtig van AG 14-095 (01/07/19-09/09/19)

<p>NFS 140304 SPN Mat. 102 AFC 24 ICP 356 RI 121 Age/Calv. 5/4 Avg. WI/Calf 103/4</p>	<p>CRV 100143 SPN Mat. 123 Gold</p> 	<p>ZAK 050115 SPN Mat. 109</p> <p>Elite-Gold</p> <p>VV 060125 SPN Mat. 150 Age/Calv. 14/12 Avg. WI/Calf 108/10</p> <p>RGR 030116 SPN Mat. 83</p>	<p>VV 020258 SPN Mat. 99 ZAK 980059 SPN Mat. 105 VV 030016 SPN Mat. 123 VV 960119 SPN Mat. 140 RGR 970055 SPN Mat. 121 RGR 960015 SPN Mat. 75 DFP 000173 SPN Mat. 124 T 990116 SPN Mat. 105</p>


Lot 64B

<p>NFS 140392 SPN Mat. 116 AFC 28 ICP 389 RI 113 Age/Calv. 4/3 Avg. WI/Calf 107/3</p>	<p>JMP 100228 SPN Mat. 86 Bronze</p> 	<p>JMP 060278 SPN Mat. 86 Gold</p> <p>JMP 060079 SPN Mat. 95 Age/Calv. 7/5 Avg. WI/Calf 99/5</p> <p>NFS 080168 SPN Mat. 88 Bronze Elite-Gold</p> <p>NFS 040068 SPN Mat. 144 Age/Calv. 13/11</p>	<p>JMP 030268 SPN Mat. 86 JMP 040101 SPN Mat. 100 JMP 030268 SPN Mat. 86 JMP 040028 SPN Mat. 109 RGR 030116 SPN Mat. 83 T 030095 SPN Mat. 117 NFS 960350 SPN Mat. 117 NFS 000255 SPN Mat. 131</p>


Lot 65A

<p>NFS 170112 SPN Mat. 116 AFC 35 ICP RI 93 Age/Calv. 3/1 Avg. WI/Calf /0</p>	<p>NFS 140151 SPN Mat. 103</p> 	<p>NFS 110101 SPN Mat. 100 Silver</p> <p>JMP 100211 SPN Mat. 105 Age/Calv. 4/2 Avg. WI/Calf 112/2</p> <p>NFS 060243 SPN Mat. 136 Gold</p>	<p>NFS 080032 SPN Mat. 119 NFS 000257 SPN Mat. 108 JMP 060140 SPN Mat. 94 JMP 050140 SPN Mat. 86 AG 020338 SPN Mat. 111 T 030046 SPN Mat. 151 RCO 980053 SPN Mat. 83 T 020036 SPN Mat. 107</p>


Lot 65B

<p>NFS 170122 SPN Mat. 78 AFC 35 ICP RI 94 Age/Calv. 3/1 Avg. WI/Calf /0</p>	<p>JRP 120081 SPN Mat. 59</p> 	<p>LAR 070055 SPN Mat. 81 Elite-Gold</p> <p>JRP 010030 SPN Mat. 89 Age/Calv. 17/15 Avg. WI/Calf 101/14</p> <p>NFS 060001 SPN Mat. 89 Silver</p>	<p>BG 040088 SPN Mat. 112 LAR 040160 SPN Mat. 80 BP 960054 SPN Mat. 88 HES 930020 SPN Mat. 75 MNE 010013 SPN Mat. 75 T 030067 SPN Mat. 108 MMJ 000174 SPN Mat. 101 NFS 980299 SPN Mat. 109</p>

Lot 66A

<p>NFS 170128 SPN Mat. 99 AFC 35 ICP RI 92 Age/Calv. 3/1 Avg. WI/Calf /0</p>	<p>NFS 110101 SPN Mat. 100 Silver</p> 	<p>NFS 080032 SPN Mat. 119 Gold</p> <p>NFS 000257 SPN Mat. 108 Age/Calv. 14/12 Avg. WI/Calf 98/12</p> <p>JH 980246 SPN Mat. 98</p>	<p>NFS 050325 SPN Mat. 122 NFS 060055 SPN Mat. 139 NFS 960350 SPN Mat. 117 NFS 960197 SPN Mat. 109 JH 920313 SPN Mat. 98 JH 930015 SPN Mat. 122 HJL 950166 SPN Mat. 62 HJS 970164 SPN Mat. 110</p>

Lot 66B

<p>NFS 170269 SPN Mat. 91 AFC 31 ICP RI 105 Age/Calv. 3/1 Avg. WI/Calf /0</p>	<p>PER 130086 SPN Mat. 100 Gold</p> 	<p>PHR 100348 SPN Mat. 127</p> <p>PER 100046 SPN Mat. 75 Age/Calv. 9/7 Avg. WI/Calf 99/6</p> <p>DKN 090345 SPN Mat. 74</p>	<p>PHR 060150 SPN Mat. 118 PHR 060301 SPN Mat. 117 PER 060117 SPN Mat. 64 PER 040080 SPN Mat. 78 GJN 030098 SPN Mat. 58 DKN 040054 SPN Mat. 110 MMJ 080153 SPN Mat. 88 HJS 050331 SPN Mat. 100</p>


VROULIKE DIERE

Lot	Verkoper	ID POENA Gen	OUERS		Toets	Teelwaarde indekse										Kalf ID	Gebruiker Eie Opmerkings			
			VADER GV OV	MOEDER GV OV		Genomies Getoets	Geb Dir	Speen Dir	Geb Mat	Speen Mat	Volwas- se Gewig	Naspeen	GDT	VOV	SO			Hgt	Lgt	LHV
					DNS	Akk	Akk	Akk	Akk	Akk	Akk	Akk	Akk	Akk	Akk	Akk	Akk	GGV	Vaar	
					Geb. dat.	Gew kg	Gew kg	Ind	kg	kg	kg	365dM	540d Ind	Ind	Ind	(mm)	(mm)	(mm)	SGV	GT / POLLED


Koeie met Kalwers

67 A	SERNICK BONSMARA STOET	NFS 170245 SP	CEF 110301	NS365	97	118	103	96	121	118	113	106	111	114	119	-	BONFNFS 200155			
			<input checked="" type="checkbox"/>		1.38	21.3	-0.34	2.8	33.0	34.4	159	-59	18.7	13	41					
			NFS 090071	DNS	79	74	66	63	56	63	57	54	58	59	58	5.48	BONMMCU 140048			
					16.09.17	34										38.4				
67 B	SERNICK BONSMARA STOET	NFS 170377 SP	NFS 140069	NS365	89	95	103	106	102	91	92	98	113	88	91	-	BONMNFS 200172			
			<input checked="" type="checkbox"/>		2.21	11.2	-0.33	5.5	12.0	15.3	59	-41	20.1	-8	2					
			NFS 140147	DNS	77	71	47	49	45	52	49	51	52	52	51	6.61	BONMNFS 160291			
					14.10.17	31										42				
68 A	SERNICK BONSMARA STOET	NFS 170352 SP	HDE 110156	NS365	105	100	106	96	110	100	106	103	97	100	104	-	BONFNFS 200055			
			<input checked="" type="checkbox"/>		0.46	13.2	-0.48	2.7	21.0	21.7	122	-52	7.5	2	20					
			HDE 130021	DNS	79	73	57	51	44	60	47	32	50	51	50	6.95	BONMMCU 140048			
					08.10.17	31										39.2				
68 B	SERNICK BONSMARA STOET	NFS 170379 SP	CEF 110301	NS365	96	125	111	87	116	116	124	111	128	110	119	-	BONMNFS 200012			
			<input checked="" type="checkbox"/>		1.46	24.7	-0.69	0.2	28.0	33.0	207	-68	31.7	10	41					
			HJS 040141	DNS	80	76	66	64	56	65	58	53	59	60	59	6.51	BONMMCU 140048			
					15.10.17	35										43.4				
69 A	SERNICK BONSMARA STOET	NFS 170060 SP	DAJ 120017	NS365	85	122	89	109	108	120	132	117	112	112	118	-	BONFNFS 200136			
			<input checked="" type="checkbox"/>		2.61	23.4	0.31	6.3	18.0	35.3	243	-82	19.3	12	38					
			NFS 140022	DNS	78	72	59	54	45	56	53	53	56	56	55	5.83	BONMJG 130302			
					24.04.17	33										50.8				
69 B	SERNICK BONSMARA STOET	NFS 170460 SP	CEF 120418	NS365	92	107	105	66	97	110	95	94	96	95	98	-	BONMNFS 200072			
			<input checked="" type="checkbox"/>		1.91	16.5	-0.43	-5.6	7.0	28.9	72	-34	6.7	-2	11					
			NFS 150194	DNS	77	71	59	54	46	48	52	53	55	55	55	8.19	BONMMCU 140048			
					22.11.17	34										48.2				


Lot 67A

<p>NFS 170245 SPN Mat. 96 OEK 32 TKP RI 104 Oud/Kalw. 3/1 Gem. Si/Kalf /0</p>	 CEFS 110301 SPN Mat. 77 Elite-Brons NFS 090071	<table border="0" style="width: 100%;"> <tr> <td style="width: 50%; vertical-align: top;"> <p>CEF 080338 SPN Mat. 93</p> <p>CEF 080218 OEK 29 SPN Mat. 94 TKP 370 Oud/Kalw. 7/6 Gem. Si/Kalf 103/6</p> <p>AG 020338 SPN Mat. 111</p> <p>NFS 040068 Elite-Goud OEK 30 SPN Mat. 144 TKP 371 Oud/Kalw. 13/11 Gem. Si/Kalf 105/11</p> </td> <td style="width: 50%; vertical-align: top;"> <p>VV 040046 SPN Mat. 113 CEF 020109 SPN Mat. 105 CEF 060473 SPN Mat. 102 CEF 030199 SPN Mat. 71 AG 980338 SPN Mat. 87 AG 950155 SPN Mat. 134 NFS 960350 SPN Mat. 117 NFS 000255 SPN Mat. 131</p> </td> </tr> </table>	<p>CEF 080338 SPN Mat. 93</p> <p>CEF 080218 OEK 29 SPN Mat. 94 TKP 370 Oud/Kalw. 7/6 Gem. Si/Kalf 103/6</p> <p>AG 020338 SPN Mat. 111</p> <p>NFS 040068 Elite-Goud OEK 30 SPN Mat. 144 TKP 371 Oud/Kalw. 13/11 Gem. Si/Kalf 105/11</p>	<p>VV 040046 SPN Mat. 113 CEF 020109 SPN Mat. 105 CEF 060473 SPN Mat. 102 CEF 030199 SPN Mat. 71 AG 980338 SPN Mat. 87 AG 950155 SPN Mat. 134 NFS 960350 SPN Mat. 117 NFS 000255 SPN Mat. 131</p>
<p>CEF 080338 SPN Mat. 93</p> <p>CEF 080218 OEK 29 SPN Mat. 94 TKP 370 Oud/Kalw. 7/6 Gem. Si/Kalf 103/6</p> <p>AG 020338 SPN Mat. 111</p> <p>NFS 040068 Elite-Goud OEK 30 SPN Mat. 144 TKP 371 Oud/Kalw. 13/11 Gem. Si/Kalf 105/11</p>	<p>VV 040046 SPN Mat. 113 CEF 020109 SPN Mat. 105 CEF 060473 SPN Mat. 102 CEF 030199 SPN Mat. 71 AG 980338 SPN Mat. 87 AG 950155 SPN Mat. 134 NFS 960350 SPN Mat. 117 NFS 000255 SPN Mat. 131</p>			


Lot 67B

<p>NFS 170377 SPN Mat. 106 OEK 31 TKP RI 107 Oud/Kalw. 3/1 Gem. Si/Kalf /0</p>	 NFS 140069 SPN Mat. 114 NFS 140147	<table border="0" style="width: 100%;"> <tr> <td style="width: 50%; vertical-align: top;"> <p>DKN 090345 SPN Mat. 74</p> <p>NFS 110091 OEK 35 SPN Mat. 134 TKP 369 Oud/Kalw. 5/3 Gem. Si/Kalf 103/2</p> <p>NFS 110101 SPN Mat. 100 Silver</p> <p>NFS 100184 OEK 31 SPN Mat. 122 TKP 367 Oud/Kalw. 9/7 Gem. Si/Kalf 93/6</p> </td> <td style="width: 50%; vertical-align: top;"> <p>GJN 030098 SPN Mat. 58 DKN 040054 SPN Mat. 110 NFS 060243 SPN Mat. 136 T 030069 SPN Mat. 112 NFS 080032 SPN Mat. 119 NFS 000257 SPN Mat. 108 NFS 060243 SPN Mat. 136 NFS 060383 SPN Mat. 100</p> </td> </tr> </table>	<p>DKN 090345 SPN Mat. 74</p> <p>NFS 110091 OEK 35 SPN Mat. 134 TKP 369 Oud/Kalw. 5/3 Gem. Si/Kalf 103/2</p> <p>NFS 110101 SPN Mat. 100 Silver</p> <p>NFS 100184 OEK 31 SPN Mat. 122 TKP 367 Oud/Kalw. 9/7 Gem. Si/Kalf 93/6</p>	<p>GJN 030098 SPN Mat. 58 DKN 040054 SPN Mat. 110 NFS 060243 SPN Mat. 136 T 030069 SPN Mat. 112 NFS 080032 SPN Mat. 119 NFS 000257 SPN Mat. 108 NFS 060243 SPN Mat. 136 NFS 060383 SPN Mat. 100</p>
<p>DKN 090345 SPN Mat. 74</p> <p>NFS 110091 OEK 35 SPN Mat. 134 TKP 369 Oud/Kalw. 5/3 Gem. Si/Kalf 103/2</p> <p>NFS 110101 SPN Mat. 100 Silver</p> <p>NFS 100184 OEK 31 SPN Mat. 122 TKP 367 Oud/Kalw. 9/7 Gem. Si/Kalf 93/6</p>	<p>GJN 030098 SPN Mat. 58 DKN 040054 SPN Mat. 110 NFS 060243 SPN Mat. 136 T 030069 SPN Mat. 112 NFS 080032 SPN Mat. 119 NFS 000257 SPN Mat. 108 NFS 060243 SPN Mat. 136 NFS 060383 SPN Mat. 100</p>			


Lot 68A

<p>NFS 170352 SPN Mat. 96 OEK 30 TKP RI 108 Oud/Kalw. 3/1 Gem. Si/Kalf /0</p>	 HDE 110156 SPN Mat. 90 HDE 130021	<table border="0" style="width: 100%;"> <tr> <td style="width: 50%; vertical-align: top;"> <p>HDE 080022 SPN Mat. 76 Silver</p> <p>HDE 070184 OEK 30 SPN Mat. 97 TKP 387 Oud/Kalw. 12/10 Gem. Si/Kalf 98/10</p> <p>HDE 110014 SPN Mat. 89</p> <p>HDE 100020 OEK 36 SPN Mat. 102 TKP 456 Oud/Kalw. 5/3 Gem. Si/Kalf 100/3</p> </td> <td style="width: 50%; vertical-align: top;"> <p>ALF 040021 SPN Mat. 107 HDE 050166 SPN Mat. 74 FCT 010168 SPN Mat. 80 HDE 000214 SPN Mat. 112 FAM 070097 SPN Mat. 62 HDE 970015 SPN Mat. 133 HFN 050089 SPN Mat. 86 HDE 070002 SPN Mat. 115</p> </td> </tr> </table>	<p>HDE 080022 SPN Mat. 76 Silver</p> <p>HDE 070184 OEK 30 SPN Mat. 97 TKP 387 Oud/Kalw. 12/10 Gem. Si/Kalf 98/10</p> <p>HDE 110014 SPN Mat. 89</p> <p>HDE 100020 OEK 36 SPN Mat. 102 TKP 456 Oud/Kalw. 5/3 Gem. Si/Kalf 100/3</p>	<p>ALF 040021 SPN Mat. 107 HDE 050166 SPN Mat. 74 FCT 010168 SPN Mat. 80 HDE 000214 SPN Mat. 112 FAM 070097 SPN Mat. 62 HDE 970015 SPN Mat. 133 HFN 050089 SPN Mat. 86 HDE 070002 SPN Mat. 115</p>
<p>HDE 080022 SPN Mat. 76 Silver</p> <p>HDE 070184 OEK 30 SPN Mat. 97 TKP 387 Oud/Kalw. 12/10 Gem. Si/Kalf 98/10</p> <p>HDE 110014 SPN Mat. 89</p> <p>HDE 100020 OEK 36 SPN Mat. 102 TKP 456 Oud/Kalw. 5/3 Gem. Si/Kalf 100/3</p>	<p>ALF 040021 SPN Mat. 107 HDE 050166 SPN Mat. 74 FCT 010168 SPN Mat. 80 HDE 000214 SPN Mat. 112 FAM 070097 SPN Mat. 62 HDE 970015 SPN Mat. 133 HFN 050089 SPN Mat. 86 HDE 070002 SPN Mat. 115</p>			


Lot 68B

<p>NFS 170379 SPN Mat. 87 OEK 30 TKP RI 110 Oud/Kalw. 2/1 Gem. Si/Kalf /0</p>	 CEFS 110301 SPN Mat. 77 Elite-Goud HJS 040141	<table border="0" style="width: 100%;"> <tr> <td style="width: 50%; vertical-align: top;"> <p>CEF 080338 SPN Mat. 93</p> <p>CEF 080218 OEK 29 SPN Mat. 94 TKP 370 Oud/Kalw. 7/6 Gem. Si/Kalf 103/6</p> <p>MMJ 980012 SPN Mat. 95 Goud</p> <p>HJS 990025 OEK 37 SPN Mat. 101 TKP 388 Oud/Kalw. 12/9 Gem. Si/Kalf 98/9</p> </td> <td style="width: 50%; vertical-align: top;"> <p>VV 040046 SPN Mat. 113 CEF 020109 SPN Mat. 105 CEF 060473 SPN Mat. 102 CEF 030199 SPN Mat. 71 HJL 940147 SPN Mat. 106 MMJ 940022 SPN Mat. 102 AG 940016 SPN Mat. 98 HJS 960220 SPN Mat. 108</p> </td> </tr> </table>	<p>CEF 080338 SPN Mat. 93</p> <p>CEF 080218 OEK 29 SPN Mat. 94 TKP 370 Oud/Kalw. 7/6 Gem. Si/Kalf 103/6</p> <p>MMJ 980012 SPN Mat. 95 Goud</p> <p>HJS 990025 OEK 37 SPN Mat. 101 TKP 388 Oud/Kalw. 12/9 Gem. Si/Kalf 98/9</p>	<p>VV 040046 SPN Mat. 113 CEF 020109 SPN Mat. 105 CEF 060473 SPN Mat. 102 CEF 030199 SPN Mat. 71 HJL 940147 SPN Mat. 106 MMJ 940022 SPN Mat. 102 AG 940016 SPN Mat. 98 HJS 960220 SPN Mat. 108</p>
<p>CEF 080338 SPN Mat. 93</p> <p>CEF 080218 OEK 29 SPN Mat. 94 TKP 370 Oud/Kalw. 7/6 Gem. Si/Kalf 103/6</p> <p>MMJ 980012 SPN Mat. 95 Goud</p> <p>HJS 990025 OEK 37 SPN Mat. 101 TKP 388 Oud/Kalw. 12/9 Gem. Si/Kalf 98/9</p>	<p>VV 040046 SPN Mat. 113 CEF 020109 SPN Mat. 105 CEF 060473 SPN Mat. 102 CEF 030199 SPN Mat. 71 HJL 940147 SPN Mat. 106 MMJ 940022 SPN Mat. 102 AG 940016 SPN Mat. 98 HJS 960220 SPN Mat. 108</p>			

Lot 69A

<p>NFS 170060 SPN Mat. 109 OEK 36 TKP RI 90 Oud/Kalw. 3/1 Gem. Si/Kalf /0</p>	 DAJ 120017 SPN Mat. 94 NFS 140022	<table border="0" style="width: 100%;"> <tr> <td style="width: 50%; vertical-align: top;"> <p>DAJ 090036 SPN Mat. 113</p> <p>DAJ 090083 OEK 29 SPN Mat. 87 TKP 368 Oud/Kalw. 11/9 Gem. Si/Kalf 99/7</p> <p>LAR 070037 SPN Mat. 98</p> <p>NFS 090087 OEK 31 SPN Mat. 144 TKP 365 Oud/Kalw. 6/4 Gem. Si/Kalf 110/4</p> </td> <td style="width: 50%; vertical-align: top;"> <p>GCD 050148 SPN Mat. 110 DAJ 060063 SPN Mat. 92 CEF 990287 SPN Mat. 99 DAJ 050033 SPN Mat. 99 BG 040088 SPN Mat. 112 LAR 040240 SPN Mat. 102 NFS 060243 SPN Mat. 136 NFS 070233 SPN Mat. 114</p> </td> </tr> </table>	<p>DAJ 090036 SPN Mat. 113</p> <p>DAJ 090083 OEK 29 SPN Mat. 87 TKP 368 Oud/Kalw. 11/9 Gem. Si/Kalf 99/7</p> <p>LAR 070037 SPN Mat. 98</p> <p>NFS 090087 OEK 31 SPN Mat. 144 TKP 365 Oud/Kalw. 6/4 Gem. Si/Kalf 110/4</p>	<p>GCD 050148 SPN Mat. 110 DAJ 060063 SPN Mat. 92 CEF 990287 SPN Mat. 99 DAJ 050033 SPN Mat. 99 BG 040088 SPN Mat. 112 LAR 040240 SPN Mat. 102 NFS 060243 SPN Mat. 136 NFS 070233 SPN Mat. 114</p>
<p>DAJ 090036 SPN Mat. 113</p> <p>DAJ 090083 OEK 29 SPN Mat. 87 TKP 368 Oud/Kalw. 11/9 Gem. Si/Kalf 99/7</p> <p>LAR 070037 SPN Mat. 98</p> <p>NFS 090087 OEK 31 SPN Mat. 144 TKP 365 Oud/Kalw. 6/4 Gem. Si/Kalf 110/4</p>	<p>GCD 050148 SPN Mat. 110 DAJ 060063 SPN Mat. 92 CEF 990287 SPN Mat. 99 DAJ 050033 SPN Mat. 99 BG 040088 SPN Mat. 112 LAR 040240 SPN Mat. 102 NFS 060243 SPN Mat. 136 NFS 070233 SPN Mat. 114</p>			

Lot 69B

<p>NFS 170460 SPN Mat. 66 OEK 29 TKP RI 113 Oud/Kalw. 2/1 Gem. Si/Kalf /0</p>	 CEFS 120418 SPN Mat. 54 NFS 150194	<table border="0" style="width: 100%;"> <tr> <td style="width: 50%; vertical-align: top;"> <p>CEF 080426 SPN Mat. 62</p> <p>CEF 080204 OEK 29 SPN Mat. 74 TKP 398 Oud/Kalw. 9/7 Gem. Si/Kalf 97/7</p> <p>JRP 120081 SPN Mat. 59</p> <p>NFS 090067 OEK 26 SPN Mat. 111 TKP 360 Oud/Kalw. 7/6 Gem. Si/Kalf 103/4</p> </td> <td style="width: 50%; vertical-align: top;"> <p>CEF 040460 SPN Mat. 102 CEF 000050 SPN Mat. 110 CEF 050355 SPN Mat. 80 CEF 040150 SPN Mat. 97 LAR 070055 SPN Mat. 81 JRP 010030 SPN Mat. 89 NFS 060243 SPN Mat. 136 NFS 070026 SPN Mat. 93</p> </td> </tr> </table>	<p>CEF 080426 SPN Mat. 62</p> <p>CEF 080204 OEK 29 SPN Mat. 74 TKP 398 Oud/Kalw. 9/7 Gem. Si/Kalf 97/7</p> <p>JRP 120081 SPN Mat. 59</p> <p>NFS 090067 OEK 26 SPN Mat. 111 TKP 360 Oud/Kalw. 7/6 Gem. Si/Kalf 103/4</p>	<p>CEF 040460 SPN Mat. 102 CEF 000050 SPN Mat. 110 CEF 050355 SPN Mat. 80 CEF 040150 SPN Mat. 97 LAR 070055 SPN Mat. 81 JRP 010030 SPN Mat. 89 NFS 060243 SPN Mat. 136 NFS 070026 SPN Mat. 93</p>
<p>CEF 080426 SPN Mat. 62</p> <p>CEF 080204 OEK 29 SPN Mat. 74 TKP 398 Oud/Kalw. 9/7 Gem. Si/Kalf 97/7</p> <p>JRP 120081 SPN Mat. 59</p> <p>NFS 090067 OEK 26 SPN Mat. 111 TKP 360 Oud/Kalw. 7/6 Gem. Si/Kalf 103/4</p>	<p>CEF 040460 SPN Mat. 102 CEF 000050 SPN Mat. 110 CEF 050355 SPN Mat. 80 CEF 040150 SPN Mat. 97 LAR 070055 SPN Mat. 81 JRP 010030 SPN Mat. 89 NFS 060243 SPN Mat. 136 NFS 070026 SPN Mat. 93</p>			

FEMALE ANIMALS



Lot	Seller	ID	POLLED	Gen	PARENTS		Test	Breeding Value Indexes										R:	Calf ID	Breeder Own Remarks
					SIRE	PV		Birth Dir	Wean Dir	Birth Mat	Wean Mat	Mat Wgt	Post Wean	ADG	FCR	SC	Hgt			
		DAM		DNA	Acc	Acc	Acc	Acc	Acc	Acc	Acc	Acc	Acc	Acc	Acc	Acc	Acc	BWR	Sire	
		GV	PV	Birth Date	Wgt kg	Wgt kg	Ind	kg	kg	kg	65dM	540d Ind	Ind	Ind	(mm)	(mm)	(mm)	WWR	GT / POLLED	

Cows with Calves



70 A	SERNICK BONSMARA STOET	NFS 170392	P	HDT 130007	PW365	103	97	91	94	97	101	98	94	97	85	96	-	BONMNFS 200040
				<input checked="" type="checkbox"/>	DNA	0.72	11.8	0.22	2.2	7.0	22.5	87	-33	7.3	-11	9	6.98	10.04.20 (36)
				HDT 130097	20.10.17	79	74	57	52	40	61	53	38	56	56	55	34.3	BONMNFS 170371
70 B	SERNICK BONSMARA STOET	NFS 170393	P	NFS 140069	PW365	91	88	84	113	116	89	87	91	108	79	85	-	BONNFNS 200001
				<input checked="" type="checkbox"/>	DNA	1.97	7.8	0.53	7.3	27.0	14.0	34	-28	16.4	-16	-6	5.13	18.03.20 (38)
				NFS 140072	20.10.17	78	71	55	49	44	52	48	50	51	52	51	30.4	BONMNFS 160291
71 A	SERNICK BONSMARA STOET	NFS 170049	P	NFS 140014	PW365	115	91	119	97	85	93	92	98	103	99	95	-	BONNFNS 200002
				<input checked="" type="checkbox"/>	DNA	-0.55	9.3	-1.08	2.9	-7.0	16.8	61	-43	11.8	1	7	5.1	18.03.20 (28)
				NFS 150113	19.04.17	80	72	60	59	45	52	46	49	50	50	49	45.1	BONMHBT 140107
71 B	SERNICK BONSMARA STOET	NFS 170374	P	NFS 140019	PW365	93	98	85	120	94	109	117	115	106	105	103	-	BONMNFS 200126
				<input checked="" type="checkbox"/>	DNA	1.76	12.4	0.50	9.3	3.0	27.9	174	-77	14.8	5	18	5.4	28.04.20 (37)
				ZVJ 100098	13.10.17	79	73	58	53	42	56	49	50	53	54	52	34.4	BONMBBP 120337
72 A	SERNICK BONSMARA STOET	NFS 170368	P	NFS 140019	PW365	87	105	93	108	77	109	108	108	105	108	105	-	BONMNFS 200089
				<input checked="" type="checkbox"/>	DNA	2.44	15.6	0.12	6.1	-16.0	28.2	132	-63	13.9	8	21	7.75	22.04.20 (35)
				NFS 150179	11.10.17	77	71	57	50	43	52	50	52	53	54	52	55.5	BONMHDT 160073
72 B	SERNICK BONSMARA STOET	NFS 170465	P	VV 150063	PW365	114	89	86	95	90	100	93	92	108	91	97	-	BONMNFS 200117
				<input checked="" type="checkbox"/>	DNA	-0.49	8.3	0.43	2.4	-1.0	21.8	63	-29	16.2	-6	11	6.33	28.04.20 (38)
				VV 140634	02.12.17	79	71	54	49	39	52	48	34	52	52	51	34.5	BONMMCU 140048

1.02	13.3	-0.19	3.8	10	21.7	96	-46	9.6	2	14
------	------	-------	-----	----	------	----	-----	-----	---	----



Lot 70A

<p>NFS 170392 SPN Mat. 94 AFC 30 ICP RI 110 Age/Calv. 2/1 Avg. WI/Calf /0</p>		<p>HDT 130007 P SPN Mat. 120</p>	<p>HDT 130097 P AFC 36 ICP 371 RI 104 SPN Mat. 66 Age/Calv. 6/4 Avg. WI/Calf 93/4</p>	<p>PAD 090196 SPN Mat. 123</p>	<p>HDT 070057 P AFC 37 ICP 455 SPN Mat. 130 Age/Calv. 6/3 Avg. WI/Calf 103/2</p>	<p>HDT 100005 SPN Mat. 59</p>	<p>HDT 060001 AFC 29 ICP 367 SPN Mat. 98 Age/Calv. 10/9 Avg. WI/Calf 100/7</p>		<p>EI 040038 SPN Mat. 93</p>	<p>SLH 950067 SPN Mat. 137</p>	<p>HDT 030078 P SPN Mat. 123</p>	<p>HDT 040240 SPN Mat. 119</p>	<p>HDT 060002 SPN Mat. 79</p>	<p>HDT 050038 P SPN Mat. 88</p>	<p>HDT 000061 P SPN Mat. 94</p>	<p>HDT 000071 SPN Mat. 89</p>
--	---	--	--	--	--	---	--	---	--	--	--	--	---	---	---	---



Lot 70B

<p>NFS 170393 SPN Mat. 113 AFC 29 ICP RI 112 Age/Calv. 2/1 Avg. WI/Calf /0</p>		<p>NFS 140069 SPN Mat. 114</p>	<p>NFS 140072 AFC 29 ICP 437 RI 105 SPN Mat. 106 Age/Calv. 6/4 Avg. WI/Calf 101/3</p>	<p>DKN 090345 SPN Mat. 74</p>	<p>NFS 110091 AFC 35 ICP 369 SPN Mat. 134 Age/Calv. 5/3 Avg. WI/Calf 103/2</p>	<p>FDS 100119 SPN Mat. 85</p>	<p>NFS 100074 AFC 36 ICP 427 SPN Mat. 121 Age/Calv. 6/4 Avg. WI/Calf 104/4</p>		<p>GJN 030098 SPN Mat. 58</p>	<p>DKN 040054 SPN Mat. 110</p>	<p>NFS 060243 SPN Mat. 136</p>	<p>T 030069 SPN Mat. 112</p>	<p>BEI 060124 SPN Mat. 78</p>	<p>FDS 070024 SPN Mat. 94</p>	<p>NFS 060243 SPN Mat. 136</p>	<p>NFS 060114 SPN Mat. 95</p>
---	---	--	--	---	--	---	--	---	---	--	--	--	---	---	--	---



Lot 71A

<p>NFS 170049 SPN Mat. 97 AFC 24 ICP 347 RI 126 Age/Calv. 3/2 Avg. WI/Calf 105/1</p>		<p>NFS 140014 SPN Mat. 95</p>	<p>NFS 150113 AFC 23 ICP 449 RI 115 SPN Mat. 99 Age/Calv. 4/3 Avg. WI/Calf 101/3</p>	<p>NFS 110101 SPN Mat. 100 Silver</p>	<p>NFS 070101 AFC 30 ICP 395 SPN Mat. 93 Age/Calv. 8/6 Avg. WI/Calf 96/4</p>	<p>NFS 110154 SPN Mat. 94</p>	<p>NFS 100046 AFC 29 ICP 484 SPN Mat. 110 Age/Calv. 5/3 Avg. WI/Calf 103/3</p>		<p>NFS 080032 SPN Mat. 119</p>	<p>NFS 000257 SPN Mat. 108</p>	<p>RGR 030116 SPN Mat. 83</p>	<p>NFS 040207 SPN Mat. 113</p>	<p>ZAK 030082 SPN Mat. 65</p>	<p>NFS 060323 SPN Mat. 121</p>	<p>NFS 060287 SPN Mat. 108</p>	<p>NFS 000205 SPN Mat. 104</p>
---	---	---	---	--	--	---	--	---	--	--	---	--	---	--	--	--



Lot 71B

<p>NFS 170374 SPN Mat. 120 AFC 30 ICP RI 108 Age/Calv. 3/1 Avg. WI/Calf /0</p>		<p>NFS 140019 SPN Mat. 105</p>	<p>ZVJ 100098 Elite-Bronze AFC 36 ICP 364 RI 109 SPN Mat. 128 Age/Calv. 9/7 Avg. WI/Calf 105/8</p>	<p>LAR 070037 SPN Mat. 98</p>	<p>NFS 040120 Elite-Gold AFC 26 ICP 381 SPN Mat. 119 Age/Calv. 12/10 Avg. WI/Calf 103/9</p>	<p>PHR 070240 SPN Mat. 119</p>	<p>SSK 060041 AFC 33 ICP 412 SPN Mat. 103 Age/Calv. 5/3 Avg. WI/Calf 92/2</p>		<p>BG 040088 SPN Mat. 112</p>	<p>LAR 040240 SPN Mat. 102</p>	<p>NFS 960350 SPN Mat. 117</p>	<p>NFS 980244 SPN Mat. 106</p>	<p>PHR 040064 SPN Mat. 110</p>	<p>PHR 050066 SPN Mat. 106</p>	<p>SSK 020017 SPN Mat. 111</p>	<p>SSK 020005 SPN Mat. 109</p>
---	---	--	--	---	--	--	---	---	---	--	--	--	--	--	--	--

Lot 72A

<p>NFS 170368 P SPN Mat. 108 AFC 30 ICP RI 108 Age/Calv. 3/1 Avg. WI/Calf /0</p>		<p>NFS 140019 SPN Mat. 105</p>	<p>NFS 150179 P AFC 25 ICP 376 RI 120 SPN Mat. 105 Age/Calv. 4/3 Avg. WI/Calf 103/3</p>	<p>LAR 070037 SPN Mat. 98</p>	<p>NFS 040120 Elite-Gold AFC 26 ICP 381 SPN Mat. 119 Age/Calv. 12/10 Avg. WI/Calf 103/9</p>	<p>CEF 110493 SPN Mat. 86</p>	<p>NFS 130028 P AFC 28 ICP 373 SPN Mat. 143 Age/Calv. 6/5 Avg. WI/Calf 107/5</p>		<p>BG 040088 SPN Mat. 112</p>	<p>LAR 040240 SPN Mat. 102</p>	<p>NFS 960350 SPN Mat. 117</p>	<p>NFS 980244 SPN Mat. 106</p>	<p>CEF 090485 SPN Mat. 106</p>	<p>CEF 080084 SPN Mat. 81</p>	<p>NFS 060243 SPN Mat. 136</p>	<p>NFS 070324 SPN Mat. 129</p>
---	---	--	--	---	--	---	--	---	---	--	--	--	--	---	--	--

Lot 72B

<p>NFS 170465 SPN Mat. 95 AFC 29 ICP RI 113 Age/Calv. 2/1 Avg. WI/Calf /0</p>		<p>VV 150063 SPN Mat. 111</p>	<p>VV 140634 AFC 22 ICP 402 RI 125 SPN Mat. 70 Age/Calv. 3/2 Avg. WI/Calf 95/2</p>	<p>VV 120139 SPN Mat. 99</p>	<p>VV 070084 AFC 28 ICP 410 SPN Mat. 118 Age/Calv. 8/6 Avg. WI/Calf 102/6</p>	<p>VV 120133 SPN Mat. 72</p>	<p>VV 090513 AFC 36 ICP 361 SPN Mat. 95 Age/Calv. 8/6 Avg. WI/Calf 97/6</p>		<p>VV 090089 SPN Mat. 78</p>	<p>VV 090475 SPN Mat. 117</p>	<p>VV 040257 SPN Mat. 99</p>	<p>VV 040048 SPN Mat. 101</p>	<p>VV 090271 SPN Mat. 82</p>	<p>VV 040167 SPN Mat. 87</p>	<p>VV 050505 SPN Mat. 98</p>	<p>VV 030459 SPN Mat. 126</p>
--	---	---	---	--	---	--	---	---	--	---	--	---	--	--	--	---

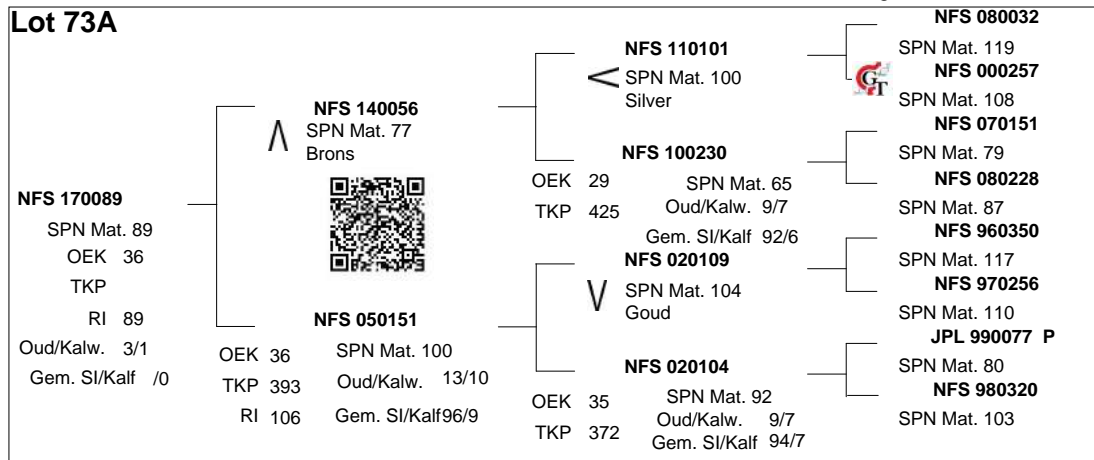
VROULIKE DIERE

Lot	Verkoper	ID POENA Gen	OUERS VADER GV OV MOEDER GV OV	Toets Genomies Getoets DNS Geb. dat.	DIREKTE KALF EIENSKAPPE		DOGTER EIENSKAPPE			GROEI		DOEL	REP	MATES Hoogte & Lengte	V:	KALF AAN HOEF	Kalf ID	Gebruiker Eie Opmerkings
					Nageslag Geboorte- gewig	Nageslag Speengewig	Gemak van Kalwing	Melk prod.	Volwas- se Gewig	Naspeen- gewig	Daaglikse Toename							
Teelwaarde indekse																		
Geb Dir	Speen Dir	Geb Mat	Speen Mat	Volw Gew	Naspeen	GDT	VOV	SO	Hgt	Lgt	LHV	Geboorte dat (Gewig)						
	Akk	Akk	Akk	Akk	Akk	Akk	Akk	Akk	Akk	Akk	Akk	Akk	Akk	Akk	Akk	Akk	Akk	GT / POLLED

Koeie met Kalwers

73 A	SERNICK BONSMARA STOET	NFS 170089 SP	NFS 140056	NS365	86	120	103	89	122	124	117	126	119	118	109	-	BONFNFS 200192
			<input checked="" type="checkbox"/>	DNS	2.54	22.3	-0.31	0.9	33.0	38.6	176	-101	25.0	16	26	4.7	16.05.20 (38)
			NFS 050151	DNS	78	73	51	55	40	58	52	54	56	57	56		BONMJG 130302
				01.05.17	38											32	

Lot 73A



FEMALE ANIMALS





Lot	Seller	ID	POLLED	Gen	PARENTS		Test	Breeding Value Indexes														R:	Breeder Own Remarks
					SIRE	DAM		Birth Dir		Wean Dir		Birth Mat	Wean Mat	Mat Wgt	Post Wean		ADG	FCR	SC	Hgt	Lgt		
GV	PV	GV	PV	Genomic Tested	Acc	Acc	Acc	Acc	Acc	Acc	365d Ind	540d Ind	Ind	Ind	(mm)	(mm)	(mm)	BWR					
DNA	Birth Date	Wgt kg	Wgt kg	Ind	kg	kg	kg	365d Ind	540d Ind	Ind	Ind	(mm)	(mm)	(mm)	WWR								

Pregnant Heifers

73 B	SERNICK BONSMARA STOET	NFS 170294 SP	CEF 110301	PW365	85	112	103	93	120	113	103	97	109	101	111	-	7-9 Mnde dragtig van MCU 14-048 (01/07/19-09/09/19)
			<input checked="" type="checkbox"/>		2.64	18.9	-0.32	1.9	31.0	31.0	110	-41	16.5	2	29	6.29	
			NFS 070060	DNA	78	75	62	64	54	64	56	53	58	59	58		
			27.09.17	39	233	92				91	-					35.3	

1.02	13.3	-0.19	3.8	10	21.7	96	-46	9.6	2	14
------	------	-------	-----	----	------	----	-----	-----	---	----

Lot 73B 7-9 Mnde dragtig van MCU 14-048 (01/07/19-09/09/19)

<p>NFS 170294 SPN Mat. 93</p>	 <p>CEF 110301 SPN Mat. 77</p>   Elite-Gold <p>NFS 070060</p>	<p>CEF 080338 SPN Mat. 93</p>		<p>SPN Mat. 113 CEF 020109 SPN Mat. 105 CEF 060473 SPN Mat. 102 CEF 030199 SPN Mat. 71 VV 010112 SPN Mat. 127 VV 940321 SPN Mat. 94 DFP 000173 SPN Mat. 124 T 980074 SPN Mat. 98</p>

SAAMGESTEL DEUR DIE SUID-AFRIKAANSE STAMBOEK- EN VEEVERBETERINGSVERENIGING

Veilingsdatum: 05/06/2020
Data soos op 22/05/2020 14:33:33

Lot 74A 3-5 Mnde dragtig van MS
NAT NFS 18-036 (02/12/19-24/02/20)
KI CEF 14-311 (12/12/19)

NFS 140147
SPN Mat. 100
OEK 28
TKP 370
RI 115
Oud/Kalw. 5/4
Gem. SI/Kalf 94/4


NFS 080032
SPN Mat. 119
Goud

NFS 000257
OEK 31 SPN Mat. 108
TKP 378 Oud/Kalw. 14/12
Gem. SI/Kalf 98/12

NFS 060243
SPN Mat. 136
Goud

NFS 060383
OEK 23 SPN Mat. 100
TKP 369 Oud/Kalw. 4/3
Gem. SI/Kalf 102/3

NFS 110101
SPN Mat. 100
Silver



NFS 100184

NFS 050325
SPN Mat. 122

NFS 060055
SPN Mat. 139

NFS 960350
SPN Mat. 117

NFS 960197
SPN Mat. 109

AG 020338
SPN Mat. 111

T 030046
SPN Mat. 151

T 030031
SPN Mat. 91

NFS 030201
SPN Mat. 101

GT

GT

Lot 74B 3-5 Mnde dragtig van MS
NAT NFS 18-074 (02/12/19-24/02/20)
KI LAR 14-064 (12/12/19)

NFS 140262
SPN Mat. 77
OEK 23
TKP 365
RI 122
Oud/Kalw. 5/4
Gem. SI/Kalf 96/4


JPL 070021
SPN Mat. 67

JPL 050009
OEK 30 SPN Mat. 100
TKP 394 Oud/Kalw. 11/9
Gem. SI/Kalf 102/9

AG 060139
SPN Mat. 100

HJS 050269
OEK 31 SPN Mat. 103
TKP 349 Oud/Kalw. 4/3
Gem. SI/Kalf 108/2

JPL 100045
SPN Mat. 68



ZVJ 100002

PER 000077
SPN Mat. 97

VOG 020001
SPN Mat. 97

JPL 990077 P
SPN Mat. 80

JPL 000071
SPN Mat. 119

AG 030205
SPN Mat. 84

AG 980128
SPN Mat. 106

AMF 970431
SPN Mat. 95

HJS 020058
SPN Mat. 80

GT

GT

Lot 75A 3-5 Mnde dragtig van NFS 18-074 (02/12/19-24/02/20)

NFS 140168
SPN Mat. 81
OEK 31
TKP 462
RI 101
Oud/Kalw. 5/3
Gem. SI/Kalf 94/3


GJN 030098
SPN Mat. 58
Brons
Elite-Goud

DKN 040054
OEK 38 SPN Mat. 110
TKP 413 Oud/Kalw. 10/7
Gem. SI/Kalf 103/7

NFS 060243
SPN Mat. 136
Goud

NFS 070265
OEK 30 SPN Mat. 99
TKP 363 Oud/Kalw. 8/7
Gem. SI/Kalf 95/5

DKN 090345
SPN Mat. 74



NFS 100033

RCO 980082
SPN Mat. 63

GJN 990013
SPN Mat. 91

RGR 960095
SPN Mat. 96

DKN 990053
SPN Mat. 114

AG 020338
SPN Mat. 111

T 030046
SPN Mat. 151

AEJ 020067
SPN Mat. 94

T 010048
SPN Mat. 103

GT

GT

Lot 75B 3-5 Mnde dragtig van MS
NAT NFS 18-074 (02/12/19-24/02/20)
KI CEF 13-548 (12/12/19)

NFS 140295
SPN Mat. 81
OEK 24
TKP 355
RI 122
Oud/Kalw. 5/4
Gem. SI/Kalf 96/4


JPL 070021
SPN Mat. 67

JPL 050009
OEK 30 SPN Mat. 100
TKP 394 Oud/Kalw. 11/9
Gem. SI/Kalf 102/9

AG 060481
SPN Mat. 91

HJS 030195
OEK 31 SPN Mat. 110
TKP 445 Oud/Kalw. 9/6
Gem. SI/Kalf 105/6

JPL 100045
SPN Mat. 68



ZVJ 110026

PER 000077
SPN Mat. 97

VOG 020001
SPN Mat. 97

JPL 990077 P
SPN Mat. 80

JPL 000071
SPN Mat. 119

LAR 010176
SPN Mat. 83

AG 970157
SPN Mat. 106

MMJ 980012
SPN Mat. 95

HJS 990035
SPN Mat. 101

GT

GT

Lot 76A 3-5 Mnde dragtig van MS
NAT NFS 18-036 (02/12/19-24/02/20)
KI NFS 15-069 (12/12/19)

NFS 140031
SPN Mat. 97
OEK 30
TKP 374
RI 112
Oud/Kalw. 6/4
Gem. SI/Kalf 100/4


GJN 030098
SPN Mat. 58
Brons
Elite-Goud

DKN 040054
OEK 38 SPN Mat. 110
TKP 413 Oud/Kalw. 10/7
Gem. SI/Kalf 103/7

NFS 080032
SPN Mat. 119
Goud

NFS 040340
OEK 29 SPN Mat. 120
TKP 415 Oud/Kalw. 10/8
Gem. SI/Kalf 102/7

DKN 090345
SPN Mat. 74



NFS 110043

RCO 980082
SPN Mat. 63

GJN 990013
SPN Mat. 91

RGR 960095
SPN Mat. 96

DKN 990053
SPN Mat. 114

NFS 050325
SPN Mat. 122

NFS 060055
SPN Mat. 139

FCT 990022
SPN Mat. 121

NFS 000303
SPN Mat. 80

GT

GT

Lot 76B 3-5 Mnde dragtig van MS
NAT NFS 18-036 (02/12/19-24/02/20)
KI MCU 17-037 (12/12/19)

NFS 140121
SPN Mat. 130
OEK 25
TKP 402
RI 115
Oud/Kalw. 5/4
Gem. SI/Kalf 107/3


ZAK 050115
SPN Mat. 109

VV 060125
OEK 28 SPN Mat. 150
TKP 372 Oud/Kalw. 14/12
Gem. SI/Kalf 108/10

DFP 000173
SPN Mat. 124

T 920055
OEK 32 SPN Mat. 119
TKP 402 Oud/Kalw. 18/15
Gem. SI/Kalf 102/15

CRV 100143
SPN Mat. 123
Goud



NFS 050295

VV 020258
SPN Mat. 99

ZAK 980059
SPN Mat. 105

VV 030016
SPN Mat. 123

VV 960119
SPN Mat. 140

RCO 960159
SPN Mat. 92

GV 950095
SPN Mat. 117

AG K 0084
SPN Mat. 137

T X 0019
SPN Mat. 76

GT

GT

FEMALE ANIMALS

Lot	Seller	ID	PARENTS		Test	Breeding Value Indexes											Days Open	Breeder Own Remarks			
			SIRE	DAM		Birth Dir	Wean Dir	Birth Mat	Wean Mat	Mat Wgt	Post Wean	ADG	FCR	SC	Hgt	Lgt			LHR		
			GV	PV																GV	PV
		Gen			Birth Date	Wgt kg	Wgt kg	Ind	kg	kg	kg	365d Ind	540d Ind	Ind	Ind	(mm)	(mm)	(mm)	Age	Calves	

Pregnant Cows

77 A	SERNICK BONSMARA STOET	NFS 140152	NFS 110101	PW365	94	112	116	98	106	104	110	114	107	111	108	-	235	3-5 Mnde dragtig van MS ;NAT NFS 18-036 (02/12/19-24/02/20) ;KI NFS 15-069 (12/12/19)	
			NFS 100227		1.65	18.7	-0.93	3.3	16.0	24.7	141	-75	15.3	11	25	5.21	6		
		SP		23.05.14	31												49.6	4	
77 B	SERNICK BONSMARA STOET	NFS 140334	JPL 100045	PW540	91	102	111	93	104	103	89	87	93	94	102	-	208	3-5 Mnde dragtig van NFS 18-074 (02/12/19-24/02/20)	
			MRW 020194	DNA	1.99	14.0	-0.69	1.8	14.0	23.9	45	-20	4.1	-3	17	6.73	5.6		
		SP		01.11.14	33												45.4	3	
78 A	SERNICK BONSMARA STOET	NFS 140130	NFS 110101	PW365	81	114	87	107	111	114	103	109	102	96	100	-	173	3-5 Mnde dragtig van HBT 14-107 (02/12/19-24/02/20)	
			NFS 100187		3.07	19.8	0.40	5.8	22.0	31.4	111	-65	11.0	-2	14	6.35	6		
		SP		13.05.14	33												45.6	4	
78 B	SERNICK BONSMARA STOET	NFS 140308	FCT 090242	PW540	78	118	100	95	117	115	109	109	105	95	101	-	241	3-5 Mnde dragtig van MS ;NAT NFS 18-074 (02/12/19-24/02/20) ;KI NFS 15-069 (12/12/19)	
			NFS 110034		3.33	21.6	-0.19	2.4	28.0	31.8	136	-65	13.6	-2	15	6.23	5.6		
		SP		08.10.14	33												45	4	
79 A	SERNICK BONSMARA STOET	NFS 140039	NFS 100123	PW365	87	113	92	119	100	115	109	117	94	109	105	-	246	3-5 Mnde dragtig van MS ;NAT HDT 16-077 (02/12/19-24/02/20) ;KI SYF 15-155 (12/12/19)	
			NFS 100082		2.35	19.3	0.16	9.0	10.0	32.3	140	-82	4.5	9	21	5.11	6.1		
		SP		13.04.14	35												35.1	4	
79 B	SERNICK BONSMARA STOET	NFS 140355	CRV 100143	PW540	101	106	118	115	115	112	111	122	86	106	103	-	387	3-5 Mnde dragtig van MS ;NAT HDT 16-077 (02/12/19-24/02/20) ;KI MCU 17-037 (12/12/19)	
			NFS 020080		0.96	16.0	-1.00	7.9	27.0	30.0	146	-93	-1.1	7	19	6.4	5.5		
		SP		23.11.14	32												42.4	3	

Lot 77A 3-5 Mnde dragtig van MS
 NAT NFS 18-036 (02/12/19-24/02/20)
 KI NFS 15-069 (12/12/19)

NFS 140152
 SPN Mat. 98
 AFC 29
 ICP 356
 RI 115
 Age/Calv. 5/4
 Avg. WI/Calf 100/4

NFS 110101
 SPN Mat. 100
 Silver

NFS 100227

NFS 080032
 SPN Mat. 119
 Gold

NFS 000257
 AFC 31 SPN Mat. 108
 ICP 378 Age/Calv. 14/12
 Avg. WI/Calf 98/12

NFS 060287
 SPN Mat. 108
 Silver

NFS 000336
 AFC 35 SPN Mat. 105
 ICP 368 Age/Calv. 12/10
 Avg. WI/Calf 102/9

NFS 050325
 SPN Mat. 122

NFS 060055
 SPN Mat. 139

NFS 960350
 SPN Mat. 117


NFS 960197
 SPN Mat. 109

VV 940061
 SPN Mat. 111

NFS 010280
 SPN Mat. 102

NFS N 0174
 SPN Mat. 91

NFS 960187
 SPN Mat. 113



Lot 77B 3-5 Mnde dragtig van NFS 18-074 (02/12/19-24/02/20)

NFS 140334
 SPN Mat. 93
 AFC 34
 ICP 394
 RI 103
 Age/Calv. 5/3
 Avg. WI/Calf 102/3

JPL 100045
 SPN Mat. 68

MRW 020194
 AFC 32 SPN Mat. 99
 ICP 381 Age/Calv. 12/10
 RI 110 Avg. WI/Calf 98/9

JPL 070021
 SPN Mat. 67

JPL 050009
 AFC 30 SPN Mat. 100
 ICP 394 Age/Calv. 11/9
 Avg. WI/Calf 102/9

VV 980391
 SPN Mat. 110

MRW 930200
 AFC 35 SPN Mat. 89
 ICP 389 Age/Calv. 12/10
 Avg. WI/Calf 106/9

PER 000077
 SPN Mat. 97

VOG 020001
 SPN Mat. 97

JPL 990077 P
 SPN Mat. 80


JPL 000071
 SPN Mat. 119

VV 960318
 SPN Mat. 76

VV 950271
 SPN Mat. 105

RCO 900193
 SPN Mat. 69

MRW 900114
 SPN Mat. 84



Lot 78A 3-5 Mnde dragtig van HBT 14-107 (02/12/19-24/02/20)

NFS 140130
 SPN Mat. 107
 AFC 28
 ICP 387
 RI 112
 Age/Calv. 6/4
 Avg. WI/Calf 108/3

NFS 110101
 SPN Mat. 100
 Silver

NFS 100187

NFS 080032
 SPN Mat. 119
 Gold

NFS 000257
 AFC 31 SPN Mat. 108
 ICP 378 Age/Calv. 14/12
 Avg. WI/Calf 98/12

NFS 050252
 SPN Mat. 82
 Gold

NFS 080200
 AFC 24 SPN Mat. 98
 ICP 407 Age/Calv. 11/9
 Avg. WI/Calf 98/8

NFS 050325
 SPN Mat. 122

NFS 060055
 SPN Mat. 139

NFS 960350
 SPN Mat. 117


NFS 960197
 SPN Mat. 109

FCT 000188
 SPN Mat. 70

NFS 000030
 SPN Mat. 111

ZAK 030082
 SPN Mat. 65

NFS 980231
 SPN Mat. 129



Lot 78B 3-5 Mnde dragtig van MS
 NAT NFS 18-074 (02/12/19-24/02/20)
 KI NFS 15-069 (12/12/19)

NFS 140308
 SPN Mat. 95
 AFC 23
 ICP 367
 RI 122
 Age/Calv. 5/4
 Avg. WI/Calf 101/3

FCT 090242
 SPN Mat. 76

NFS 110034
 AFC 24 SPN Mat. 114
 ICP 527 Age/Calv. 3/2
 RI 112 Avg. WI/Calf 105/2

FCT 050127
 SPN Mat. 74

FCT 040061
 AFC 28 SPN Mat. 94
 ICP 378 Age/Calv. 8/6
 Avg. WI/Calf 102/6

NFS 060243
 SPN Mat. 136
 Gold

NFS 060399
 AFC 29 SPN Mat. 89
 ICP 434 Age/Calv. 6/4
 Avg. WI/Calf 97/2

CSW 010022
 SPN Mat. 72

FCT 010064
 SPN Mat. 91

WAT 010034
 SPN Mat. 106


FCT 980121
 SPN Mat. 90

AG 020338
 SPN Mat. 111

T 030046
 SPN Mat. 151

ZAK 030013
 SPN Mat. 94

NFS 040126
 SPN Mat. 90



Lot 79A 3-5 Mnde dragtig van MS
 NAT HDT 16-077 (02/12/19-24/02/20)
 KI SYF 15-155 (12/12/19)

NFS 140039
 SPN Mat. 119
 AFC 29
 ICP 369
 RI 114
 Age/Calv. 5/4
 Avg. WI/Calf 102/3

NFS 100123
 SPN Mat. 103
 Bronze

NFS 100082

NFS 070163
 SPN Mat. 84
 Silver

NFS 060102
 AFC 25 SPN Mat. 101
 ICP 419 Age/Calv. 14/11
 Avg. WI/Calf 97/10

NFS 060287
 SPN Mat. 108
 Silver

NFS 050167
 AFC 31 SPN Mat. 101
 ICP 448 Age/Calv. 14/10
 Avg. WI/Calf 100/9

ZAK 030082
 SPN Mat. 65

T 000089
 SPN Mat. 89

KAN 010078
 SPN Mat. 87


NFS 010064
 SPN Mat. 111

VV 940061
 SPN Mat. 111

NFS 010280
 SPN Mat. 102

FCT 990022
 SPN Mat. 121

NFS 950057
 SPN Mat. 90



Lot 79B 3-5 Mnde dragtig van MS
 NAT HDT 16-077 (02/12/19-24/02/20)
 KI MCU 17-037 (12/12/19)

NFS 140355
 SPN Mat. 115
 AFC 28
 ICP 379
 RI 114
 Age/Calv. 4/3
 Avg. WI/Calf 103/3

CRV 100143
 SPN Mat. 123
 Gold

NFS 020080
 AFC 32 SPN Mat. 94
 ICP 384 Age/Calv. 12/10
 RI 110 Avg. WI/Calf 102/10

ZAK 050115
 SPN Mat. 109

VV 060125
 Elite-Gold
 SPN Mat. 150

SER 000031
 SPN Mat. 83
 Gold

NFS 990310
 AFC 35 SPN Mat. 101
 ICP 379 Age/Calv. 5/3
 Avg. WI/Calf 105/3

VV 020258
 SPN Mat. 99

ZAK 980059
 SPN Mat. 105

VV 030016
 SPN Mat. 123


VV 960119
 SPN Mat. 140

NFS 950027
 SPN Mat. 87

SER 960016
 SPN Mat. 94

B 930190
 SPN Mat. 102

NFS 920158
 SPN Mat. 100



VROULIKE DIERE

Lot	Verkoper	ID POENA Gen	OUERS		Toets Genomies Getoets DNS Geb. dat.	DIREKTE KALF EIENSKAPPE					DOGTER EIENSKAPPE			GROEI		DOEL	REP	MATES	V:	Dae Oop Oud Kalwers	Gebruiker Eie Opmerkings
			VADER GV OV	MOEDER GV OV		Geb Dir	Speen Dir	Geb Mat	Speen Mat	Volwas- se Gewig	Naspeen- gewig	GDT	VOV	SO	Hgt	Lgt	LHV				
			Teelwaarde indekse			Akk	Akk	Akk	Akk	Akk	Akk	Akk	Akk	Akk	Akk	Akk	Akk	GGV	SGV		
						Gew kg	Gew kg	Ind	kg	kg	kg	365d Ind	540d Ind	Ind	Ind	(mm)	(mm)	(mm)			



Dragtige Koeie

80 A	SERNICK BONSMARA STOET	NFS 140063 SP	NFS 090081 NFS 060015	NS365	95 1.55 82	117 21.0 78	109 -0.61 73	123 10.2 75	149 63.0 71	117 33.5 62	114 163 59	114 -76 63	112 19.1 63	109 9 64	107 24 63	- 4.43	209 6.1	3-5 Mnde dragtig van NFS 18-036 (02/12/19-24/02/20)
				21.04.14	31											33.9	4	
80 B	SERNICK BONSMARA STOET	NFS 140192 SP	NFS 090081 NFS 100069	NS540	85 2.56 82	120 22.5 77	105 -0.44 72	114 7.7 74	111 21.0 72	123 37.9 68	137 269 61	125 -100 66	120 25.9 66	118 16 67	115 35 65	- 6.94	212 5.7	3-5 Mnde dragtig van MS ;NAT NFS 18-036 (02/12/19-24/02/20) ;KI MCU 17-037 (12/12/19)
				27.09.14	34											48.9	4	
81 A	SERNICK BONSMARA STOET	NFS 140169 SP	DKN 090345 NFS 100025	NS540	93 1.79 82	121 22.9 76	123 -1.23 73	86 0.0 72	114 25.0 66	117 33.6 70	119 184 62	111 -70 65	116 22.5 66	114 13 67	109 27 65	- 6.47	208 5.7	3-5 Mnde dragtig van NFS 18-074 (02/12/19-24/02/20)
				21.09.14	33											45.5	4	
81 B	SERNICK BONSMARA STOET	NFS 140212 SP	DKN 090345 NFS 100027 P	NS540	95 1.54 81	110 17.9 76	117 -0.98 71	110 6.6 72	111 22.0 67	107 26.7 70	113 158 63	99 -44 66	110 17.3 68	124 21 68	113 32 67	- 6.73	252 5.6	3-5 Mnde dragtig van MS ;NAT NFS 18-036 (02/12/19-24/02/20) ;KI CEF 14-311 (12/12/19)
				01.10.14	33											44.7	3	
82 A	SERNICK BONSMARA STOET	NFS 170081 SP	NFS 140019 NFS 110110	NS365 DNS	88 2.25 78	111 18.3 73	85 0.51 60	107 5.7 61	101 11.0 53	116 32.9 56	112 151 51	115 -79 54	105 14.0 54	107 7 55	102 17 54	- 4.93	432 3.1	3-5 Mnde dragtig van MS ;NAT HDT 16-077 (02/12/19-24/02/20) ;KI NFS 15-069 (12/12/19)
				29.04.17	33											34.7	1	
82 B	SERNICK BONSMARA STOET	NFS 170250 SP	JRP 120081 NFS 110103	NS365 DNS	81 3.05 78	132 27.7 73	119 -1.06 63	78 -2.2 59	138 52.0 43	132 43.9 60	116 169 54	115 -77 54	104 13.2 55	110 9 55	118 40 55	- 6.03	219 2.7	3-5 Mnde dragtig van MS ;NAT NFS 17-341 (02/12/19-24/02/20) ;KI CEF 13-548 (12/12/19)
				18.09.17	35											40.2	1	



SAAMGESTEL DEUR DIE SUID-AFRIKAANSE STAMBOEK- EN VEEVERBETERINGSVERENIGING

Veilingsdatum: 05/06/2020
Data soos op 22/05/2020 14:33:37



Lot 80A 3-5 Mnde dragtig van NFS 18-036 (02/12/19-24/02/20)

<p>NFS 140063 SPN Mat. 123 OEK 30 TKP 369 RI 113 Oud/Kalw. 6/4 Gem. SI/Kalf 110/4</p>		<p>NFS 090081 SPN Mat. 120 Brons</p>		<p>NFS 060243 SPN Mat. 136 Goud</p> <p>NFS 060282 SPN Mat. 92 Oud/Kalw. 4/2 Gem. SI/Kalf 86/2</p> <p>PER 000077 SPN Mat. 97 Goud</p> <p>NFS 920326 SPN Mat. 116 Oud/Kalw. 13/11 Gem. SI/Kalf 104/11</p>	<p>AG 020338 SPN Mat. 111 T 030046 SPN Mat. 151 ZAK 030013 SPN Mat. 94 NFS 030147 SPN Mat. 115 VV 940061 SPN Mat. 111 PER 950026 SPN Mat. 92 NFS J 0141 SPN Mat. 85 NFS L 0263 SPN Mat. 119</p>
--	---	---	---	---	---



Lot 80B 3-5 Mnde dragtig van MS
NAT NFS 18-036 (02/12/19-24/02/20)
KI MCU 17-037 (12/12/19)

<p>NFS 140192 SPN Mat. 114 OEK 24 TKP 375 RI 120 Oud/Kalw. 5/4 Gem. SI/Kalf 100/4</p>		<p>NFS 090081 SPN Mat. 120 Brons</p> <p>Elite-Brons</p> <p>NFS 100069</p>		<p>NFS 060243 SPN Mat. 136 Goud</p> <p>NFS 060282 SPN Mat. 92 Oud/Kalw. 4/2 Gem. SI/Kalf 86/2</p> <p>NFS 060287 SPN Mat. 108 Silver Elite-Goud</p> <p>NFS 040093 SPN Mat. 108 Oud/Kalw. 14/12 Gem. SI/Kalf 98/11</p>	<p>AG 020338 SPN Mat. 111 T 030046 SPN Mat. 151 ZAK 030013 SPN Mat. 94 NFS 030147 SPN Mat. 115 VV 940061 SPN Mat. 111 PER 010280 SPN Mat. 102 NFS 960350 SPN Mat. 117 NFS 970208 SPN Mat. 96</p>
--	---	---	---	--	--



Lot 81A 3-5 Mnde dragtig van NFS 18-074 (02/12/19-24/02/20)

<p>NFS 140169 SPN Mat. 86 OEK 24 TKP 374 RI 119 Oud/Kalw. 5/4 Gem. SI/Kalf 104/3</p>		<p>DKN 090345 SPN Mat. 74</p> <p>Elite-Goud</p> <p>DKN 040054</p> <p>NFS 060287 SPN Mat. 108 Silver</p> <p>NFS 050190</p>		<p>GJN 030098 SPN Mat. 58 Brons Elite-Goud</p> <p>DKN 990053 SPN Mat. 114 VV 940061 SPN Mat. 111 NFS 010280 SPN Mat. 102 FCT 000188 SPN Mat. 70 NFS 980320 SPN Mat. 103</p>	<p>RCO 980082 SPN Mat. 63 GJN 990013 SPN Mat. 91 RGR 960095 SPN Mat. 96 DKN 990053 SPN Mat. 114 VV 940061 SPN Mat. 111 NFS 010280 SPN Mat. 102 FCT 000188 SPN Mat. 70 NFS 980320 SPN Mat. 103</p>
---	---	---	---	---	---



Lot 81B 3-5 Mnde dragtig van MS
NAT NFS 18-036 (02/12/19-24/02/20)
KI CEF 14-311 (12/12/19)

<p>NFS 140212 SPN Mat. 110 OEK 35 TKP 372 RI 104 Oud/Kalw. 5/3 Gem. SI/Kalf 104/3</p>		<p>DKN 090345 SPN Mat. 74</p> <p>Elite-Goud</p> <p>DKN 040054</p> <p>NFS 100027 P</p>		<p>GJN 030098 SPN Mat. 58 Brons Elite-Goud</p> <p>NFS 060243 SPN Mat. 136 Goud</p> <p>NFS 070324 SPN Mat. 129 Oud/Kalw. 7/5 Gem. SI/Kalf 104/5</p>	<p>RCO 980082 SPN Mat. 63 GJN 990013 SPN Mat. 91 RGR 960095 SPN Mat. 96 DKN 990053 SPN Mat. 114 AG 020338 SPN Mat. 111 T 030046 SPN Mat. 151 RGR 030116 SPN Mat. 83 NFS 020156 P SPN Mat. 125</p>
--	---	--	---	---	---

Lot 82A 3-5 Mnde dragtig van MS
NAT HDT 16-077 (02/12/19-24/02/20)
KI NFS 15-069 (12/12/19)

<p>NFS 170081 SPN Mat. 107 OEK 23 TKP RI 132 Oud/Kalw. 2/1 Gem. SI/Kalf 103/1</p>		<p>NFS 140019 SPN Mat. 105</p> <p>Elite-Brons</p> <p>NFS 110110</p>		<p>LAR 070037 SPN Mat. 98</p> <p>Elite-Goud</p> <p>NFS 040120</p> <p>NFS 060243 SPN Mat. 136 Goud</p> <p>NFS 010162</p>	<p>BG 040088 SPN Mat. 112 LAR 040240 SPN Mat. 102 NFS 960350 SPN Mat. 117 NFS 980244 SPN Mat. 106 AG 020338 SPN Mat. 111 T 030046 SPN Mat. 151 NFS 970007 SPN Mat. 111 NFS 950057 SPN Mat. 90</p>
--	---	---	---	---	---

Lot 82B 3-5 Mnde dragtig van MS
NAT NFS 17-341 (02/12/19-24/02/20)
KI CEF 13-548 (12/12/19)

<p>NFS 170250 SPN Mat. 78 OEK 25 TKP RI 125 Oud/Kalw. 2/1 Gem. SI/Kalf 96/1</p>		<p>JRP 120081 SPN Mat. 59</p>		<p>LAR 070055 SPN Mat. 81</p> <p>Elite-Goud</p> <p>JRP 010030</p> <p>NFS 080168 SPN Mat. 88 Brons</p> <p>NFS 080128 SPN Mat. 130 Oud/Kalw. 4/3 Gem. SI/Kalf 109/3</p>	<p>BG 040088 SPN Mat. 112 LAR 040160 SPN Mat. 80 BP 960054 SPN Mat. 88 HES 930020 SPN Mat. 75 RGR 030116 SPN Mat. 83 T 030095 SPN Mat. 117 NFS 050325 SPN Mat. 122 NFS 050199 SPN Mat. 119</p>
--	---	--	---	---	--

Lot 83A 3-5 Mnde dragtig van MS
 NAT AJF 16-574 (02/12/19-24/02/20)
 KI CEF 14-311 (12/12/19)

NFS 170132
 SPN Mat. 94
 AFC 28
 ICP
 RI 115
 Age/Calv. 2/1
 Avg. WI/Calf 97/1

NFS 110101
 SPN Mat. 100
 Silver

ZVJ 130032

NFS 080032
 SPN Mat. 119
 Gold

NFS 000257
 AFC 31 SPN Mat. 108
 ICP 378 Age/Calv. 14/12
 Avg. WI/Calf 98/12

FCT 050127
 SPN Mat. 74

HJS 040233
 Elite-Gold
 AFC 36 SPN Mat. 121
 ICP 392 Age/Calv. 13/10
 Avg. WI/Calf 103/9

NFS 050325
 SPN Mat. 122

NFS 060055
 SPN Mat. 139

NFS 960350
 SPN Mat. 117

NFS 960197
 SPN Mat. 109

CSW 010022
 SPN Mat. 72

FCT 010064
 SPN Mat. 91

HJS 990046
 SPN Mat. 147

HJS 000226
 SPN Mat. 114

Lot 83B 3-5 Mnde dragtig van MS
 NAT NFS 17-341 (02/12/19-24/02/20)
 KI CEF 13-548 (12/12/19)

NFS 170221
 SPN Mat. 86
 AFC 25
 ICP
 RI 124
 Age/Calv. 2/1
 Avg. WI/Calf 99/1

PER 130086
 SPN Mat. 100
 Gold

NFS 150109 P

PHR 100348
 SPN Mat. 127

PER 100046
 AFC 37 SPN Mat. 75
 ICP 381 Age/Calv. 9/7
 Avg. WI/Calf 99/6

NFS 110101
 SPN Mat. 100
 Silver

NFS 110006
 AFC 25 SPN Mat. 76
 ICP 362 Age/Calv. 9/8
 Avg. WI/Calf 97/8

PHR 060150
 SPN Mat. 118

PHR 060301
 SPN Mat. 117

PER 060117
 SPN Mat. 64

PER 040080
 SPN Mat. 78

NFS 080032
 SPN Mat. 119

NFS 000257
 SPN Mat. 108

NFS 050252
 SPN Mat. 82

NFS 090006
 SPN Mat. 94

Lot 84A 3-5 Mnde dragtig van MS
 NAT ABB 16-508 (02/12/19-24/02/20)
 KI MCU 17-037 (12/12/19)

NFS 170251
 SPN Mat. 108
 AFC 24
 ICP
 RI 128
 Age/Calv. 2/1
 Avg. WI/Calf 95/1

NFS 150069
 SPN Mat. 98

NFS 100144

FCT 120053
 SPN Mat. 85

SSK 060043
 AFC 34 SPN Mat. 107
 ICP 388 Age/Calv. 13/11
 Avg. WI/Calf 101/10

NFS 060243
 SPN Mat. 136
 Gold

NFS 070026
 AFC 29 SPN Mat. 93
 ICP 394 Age/Calv. 3/2
 Avg. WI/Calf 98/2

FCT 080201
 SPN Mat. 110

FCT 080094
 SPN Mat. 83

BHE 010114
 SPN Mat. 80

SSK 010016
 SPN Mat. 116

AG 020338
 SPN Mat. 111

T 030046
 SPN Mat. 151

RGR 030116
 SPN Mat. 83

NFS 040284
 SPN Mat. 103

Lot 84B 3-5 Mnde dragtig van MS
 NAT NFS 17-341 (02/12/19-24/02/20)
 KI LAR 14-064 (12/12/19)

NFS 170397
 SPN Mat. 85
 AFC 24
 ICP
 RI 129
 Age/Calv. 2/1
 Avg. WI/Calf 104/1

CEF 110301
 SPN Mat. 77

Elite-Gold

NFS 080180
 AFC 25 SPN Mat. 98
 ICP 370 Age/Calv. 11/10
 RI 117 Avg. WI/Calf 102/9

CEF 080338
 SPN Mat. 93

CEF 080218
 AFC 29 SPN Mat. 94
 ICP 370 Age/Calv. 7/6
 Avg. WI/Calf 103/6

RGR 030116
 SPN Mat. 83

NFS 050248
 AFC 35 SPN Mat. 124
 ICP 460 Age/Calv. 10/7
 Avg. WI/Calf 104/5

CEF 020109
 SPN Mat. 113

CEF 020109
 SPN Mat. 105

CEF 060473
 SPN Mat. 102

CEF 030199
 SPN Mat. 71

RGR 970055
 SPN Mat. 121

RGR 960015
 SPN Mat. 75

DFP 000173
 SPN Mat. 124

NFS 990145
 SPN Mat. 108

Lot 85A 3-5 Mnde dragtig van MS
 NAT NFS 17-207 (02/12/19-24/02/20)
 KI CEF 14-311 (12/12/19)

NFS 170072
 SPN Mat. 107
 AFC 29
 ICP
 RI 112
 Age/Calv. 2/1
 Avg. WI/Calf 95/1

NFS 140055
 SPN Mat. 105

NFS 130001

DKN 090345
 SPN Mat. 74

NFS 110135
 AFC 30 SPN Mat. 121
 ICP 407 Age/Calv. 8/6
 Avg. WI/Calf 106/4

AG 070458
 SPN Mat. 85

Elite-Gold

NFS 090086
 AFC 30 SPN Mat. 121
 ICP 368 Age/Calv. 10/8
 Avg. WI/Calf 106/8

GJN 030098
 SPN Mat. 58

DKN 040054
 SPN Mat. 110

NFS 060243
 SPN Mat. 136

NFS 020080
 SPN Mat. 94

AG 010245
 SPN Mat. 68

AG 000415
 SPN Mat. 112

NFS 060243
 SPN Mat. 136

NFS 070048
 SPN Mat. 77

Lot 85B 7-9 Mnde dragtig van HDT 16-077 (01/07/19-09/09/19)

NFS 170319
 SPN Mat. 100
 AFC 25
 ICP
 RI 126
 Age/Calv. 2/1
 Avg. WI/Calf 98/1

CEF 110301
 SPN Mat. 77

Elite-Gold

NFS 060323
 AFC 24 SPN Mat. 121
 ICP 363 Age/Calv. 13/12
 RI 119 Avg. WI/Calf 103/12

CEF 080338
 SPN Mat. 93

CEF 080218
 AFC 29 SPN Mat. 94
 ICP 370 Age/Calv. 7/6
 Avg. WI/Calf 103/6

T 030005
 SPN Mat. 113

NFS 000030
 AFC 30 SPN Mat. 111
 ICP 405 Age/Calv. 8/6
 Avg. WI/Calf 110/5

VV 040046
 SPN Mat. 113

CEF 020109
 SPN Mat. 105

CEF 060473
 SPN Mat. 102

CEF 030199
 SPN Mat. 71

FCT 960024
 SPN Mat. 83

T 000032
 SPN Mat. 112

NFS 910007
 SPN Mat. 96

NFS 970264
 SPN Mat. 107

VROULIKE DIERE

Lot	Verkoper	ID	OUERS	Toets	Teelwaarde indekse											Dae Oop	Gebruiker Eie Opmerkings		
					DIREKTE KALF EIENSKAPPE		DOGTER EIENSKAPPE			GROEI		DOEL	REP	MATES				V:	
		VADER GV OV		Genomies Getoets	Geb Dir	Speen Dir	Geb Mat	Speen Mat	Volwas- se Gewig	Naspeen- gewig	GDT	VOV	SO	Hgt	Lgt	LHV			
		MOEDER GV OV		DNS	Akk	Akk	Akk	Akk	Akk	Akk	Akk	Akk	Akk	Akk	Akk	GGV			
		Gen		Geb. dat.	Gew kg	Gew kg	Ind	kg	kg	kg	365d Ind	540d Ind	Ind	Ind	(mm)	(mm)	(mm)	SGV	Kalwers

Dragtige Koeie

86 A	SERNICK BONSMARA STOET	NFS 170018 SP	CEF 110301	NS365	102	104	98	105	105	109	110	107	115	104	112	-	237	3-5 Mnde dragtig van MS ;NAT ABB 16-508 (02/12/19-24/02/20) ;KI MCU 17-037 (12/12/19)
			NFS 060318		0.76 79	15.0 75	-0.11 67	5.3 64	16.0 56	27.8 60	142 59	-60 55	21.3 61	5 61	31 61	5.42	3.1	
86 B	SERNICK BONSMARA STOET	NFS 170277 SP	NFS 150069	NS365	95	109	117	108	106	112	110	107	111	99	108	-	258	3-5 Mnde dragtig van MS ;NAT AJF 16-574 (02/12/19-24/02/20) ;KI MCU 17-037 (12/12/19)
			NFS 090041	DNS	1.50 79	17.5 74	-0.98 60	5.9 56	16.0 38	30.4 57	143 57	-62 59	18.4 59	0 60	26 60	5.78	2.7	
87 A	SERNICK BONSMARA STOET	NFS 170017 SP	NFS 140019	NS365	83	121	72	91	92	129	114	118	111	114	110	-	388	3-5 Mnde dragtig van MS ;NAT NFS 18-090 (02/12/19-24/02/20) ;KI NFS 15-069 (12/12/19)
			NFS 100198	DNS	2.81 78	22.9 74	1.10 59	1.4 63	1.0 54	41.9 56	159 51	-84 53	18.2 54	13 55	28 53	4.76	3.1	
87 B	SERNICK BONSMARA STOET	NFS 170131 P SP	CEF 120418	NS365	102	107	95	76	98	117	108	104	100	100	101	-	327	3-5 Mnde dragtig van MS ;NAT NFS 18-090 (02/12/19-24/02/20) ;KI LAR 14-064 (12/12/19)
			NFS 140242 P	DNS	0.82 77	16.4 73	0.02 59	-2.8 62	7.0 54	33.5 55	132 51	-54 52	9.6 54	2 54	15 53	5.74	3	
88 A	SERNICK BONSMARA STOET	NFS 170001 SP	NFS 140019	NS365	87	117	83	96	104	118	121	119	104	121	111	-	221	3-5 Mnde dragtig van MS ;NAT NFS 17-207 (02/12/19-24/02/20) ;KI SYF 15-155 (12/12/19)
			ZVJ 100120	DNS	2.45 79	21.0 74	0.57 60	2.8 56	14.0 47	34.1 57	193 50	-86 51	12.9 53	19 54	30 53	5	3.2	
88 B	SERNICK BONSMARA STOET	NFS 170035 SP	NFS 140056	NS365	82	128	90	90	113	132	113	110	120	110	111	-	255	3-5 Mnde dragtig van MS ;NAT ABB 16-508 (02/12/19-24/02/20) ;KI NFS 15-069 (12/12/19)
			ZVJ 090010	DNS	2.93 79	26.0 74	0.27 58	1.2 54	24.0 39	44.0 60	158 50	-68 47	25.9 52	10 53	30 52	5.32	3.1	


SAAMGESTEL DEUR DIE SUID-AFRIKAANSE STAMBOEK- EN VEEVERBETERINGSVERENIGING

Veilingsdatum: 05/06/2020
Data soos op 22/05/2020 14:33:39

Lot 86A 3-5 Mnde dragtig van MS
NAT ABB 16-508 (02/12/19-24/02/20)
KI MCU 17-037 (12/12/19)

NFS 170018
SPN Mat. 105
OEK 30
TKP
RI 110
Oud/Kalw. 2/1
Gem. SI/Kalf 99/1

CEF 110301
SPN Mat. 77



NFS 060318
SPN Mat. 133
Oud/Kalw. 13/11
Gem. SI/Kalf 98/9

CEF 080338
SPN Mat. 93

CEF 080218
OEK 29 SPN Mat. 94
TKP 370 Oud/Kalw. 7/6
Gem. SI/Kalf 103/6

FCT 990022
SPN Mat. 121


T 960066
OEK 30 SPN Mat. 125
TKP 387 Oud/Kalw. 12/10
Gem. SI/Kalf 104/10

VV 040046
SPN Mat. 113
CEF 020109
SPN Mat. 105
CEF 060473
SPN Mat. 102
CEF 030199
SPN Mat. 71
EI 920079
SPN Mat. 129
RE 940025
SPN Mat. 110
AG K 0084
SPN Mat. 137
T K 0040
SPN Mat. 86

Lot 86B 3-5 Mnde dragtig van MS
NAT AJF 16-574 (02/12/19-24/02/20)
KI MCU 17-037 (12/12/19)

NFS 170277
SPN Mat. 108
OEK 23
TKP
RI 129
Oud/Kalw. 2/1
Gem. SI/Kalf 101/1

NFS 150069
SPN Mat. 98



NFS 090041
Elite-Goud
SPN Mat. 121
Oud/Kalw. 10/8
Gem. SI/Kalf 102/8

FCT 120053
SPN Mat. 85

SSK 060043
OEK 34 SPN Mat. 107
TKP 388 Oud/Kalw. 13/11
Gem. SI/Kalf 101/10

ZAK 030056
SPN Mat. 75


T 030095
OEK 27 SPN Mat. 117
TKP 395 Oud/Kalw. 6/4
Gem. SI/Kalf 100/4

FCT 080201
SPN Mat. 110
FCT 080094
SPN Mat. 83
BHE 010114
SPN Mat. 80
SSK 010016
SPN Mat. 116
LAR 000017
SPN Mat. 69
ZAK 010016
SPN Mat. 114
DFP 000173
SPN Mat. 124
T 950050
SPN Mat. 108

Lot 87A 3-5 Mnde dragtig van MS
NAT NFS 18-090 (02/12/19-24/02/20)
KI NFS 15-069 (12/12/19)

NFS 170017
SPN Mat. 91
OEK 25
TKP
RI 125
Oud/Kalw. 2/1
Gem. SI/Kalf 109/1

NFS 140019
SPN Mat. 105



NFS 100198
SPN Mat. 72
Oud/Kalw. 6/5
Gem. SI/Kalf 90/5

LAR 070037
SPN Mat. 98

NFS 040120
Elite-Goud
OEK 26 SPN Mat. 119
TKP 381 Oud/Kalw. 12/10
Gem. SI/Kalf 103/9

NFS 050252
SPN Mat. 82
Goud


NFS 080132
OEK 29 SPN Mat. 81
TKP 391 Oud/Kalw. 10/8
Gem. SI/Kalf 98/7

BG 040088
SPN Mat. 112
LAR 040240
SPN Mat. 102
NFS 960350
SPN Mat. 117
NFS 980244
SPN Mat. 106
FCT 000188
SPN Mat. 70
NFS 000030
SPN Mat. 111
RGR 030116
SPN Mat. 83
NFS 030205
SPN Mat. 103

Lot 87B 3-5 Mnde dragtig van MS
NAT NFS 18-090 (02/12/19-24/02/20)
KI LAR 14-064 (12/12/19)

NFS 170131 P
SPN Mat. 76
OEK 26
TKP
RI 122
Oud/Kalw. 2/1
Gem. SI/Kalf 97/1

CEF 120418
SPN Mat. 54



NFS 140242 P
SPN Mat. 107
Oud/Kalw. 5/3
Gem. SI/Kalf 108/3

CEF 080426
SPN Mat. 62

CEF 080204
OEK 29 SPN Mat. 74
TKP 398 Oud/Kalw. 9/7
Gem. SI/Kalf 97/7

DKN 090345
SPN Mat. 74


NFS 120132 P
OEK 24 SPN Mat. 115
TKP 418 Oud/Kalw. 7/5
Gem. SI/Kalf 103/6

CEF 040460
SPN Mat. 102
CEF 000050
SPN Mat. 110
CEF 050355
SPN Mat. 80
CEF 040150
SPN Mat. 97
GJN 030098
SPN Mat. 58
DKN 040054
SPN Mat. 110
NFS 090036
SPN Mat. 135
NFS 040318
SPN Mat. 93

Lot 88A 3-5 Mnde dragtig van MS
NAT NFS 17-207 (02/12/19-24/02/20)
KI SYF 15-155 (12/12/19)

NFS 170001
SPN Mat. 96
OEK 31
TKP
RI 107
Oud/Kalw. 3/1
Gem. SI/Kalf 116/1

NFS 140019
SPN Mat. 105



ZVJ 100120
SPN Mat. 93
Oud/Kalw. 9/8
Gem. SI/Kalf 96/7

LAR 070037
SPN Mat. 98

NFS 040120
Elite-Goud
OEK 26 SPN Mat. 119
TKP 381 Oud/Kalw. 12/10
Gem. SI/Kalf 103/9

BEI 070107
SPN Mat. 122


LBS 990005
OEK 36 SPN Mat. 87
TKP 380 Oud/Kalw. 11/9
Gem. SI/Kalf 97/7

BG 040088
SPN Mat. 112
LAR 040240
SPN Mat. 102
NFS 960350
SPN Mat. 117
NFS 980244
SPN Mat. 106
BEI 020134
SPN Mat. 88
BEI 040046
SPN Mat. 102
HJS 970048
SPN Mat. 115
LBS 960007
SPN Mat. 82

Lot 88B 3-5 Mnde dragtig van MS
NAT ABB 16-508 (02/12/19-24/02/20)
KI NFS 15-069 (12/12/19)

NFS 170035
SPN Mat. 90
OEK 29
TKP
RI 113
Oud/Kalw. 2/1
Gem. SI/Kalf 96/1

NFS 140056
SPN Mat. 77
Brons



ZVJ 090010
Elite-Silwer
SPN Mat. 106
Oud/Kalw. 11/8
Gem. SI/Kalf 99/7

NFS 110101
SPN Mat. 100
Silver

NFS 100230
OEK 29 SPN Mat. 65
TKP 425 Oud/Kalw. 9/7
Gem. SI/Kalf 92/6

HJS 030220
SPN Mat. 127

HJS 030017
OEK 31 SPN Mat. 82
TKP 431 Oud/Kalw. 8/6
Gem. SI/Kalf 95/6

NFS 080032
SPN Mat. 119
NFS 000257
SPN Mat. 108
NFS 070151
SPN Mat. 79
NFS 080228
SPN Mat. 87
AG 920282
SPN Mat. 113
HJS 960240
SPN Mat. 142
EI 980080
SPN Mat. 88
HJS 000094
SPN Mat. 103

FEMALE ANIMALS

Lot	Seller	ID	PARENTS	Test	Breeding Value Indexes											Days Open	Breeder Own Remarks											
					SIRE		Genomic Tested		Birth Dir		Wean Dir		Birth Mat		Wean Mat			Mat Wgt		Post Wean		ADG	FCR	SC	Hgt	Lgt	LHR	
					GV	PV	DNA	Acc	Acc	Acc	Acc	Acc	Acc	Acc	Acc			Acc	Acc	Acc	Acc	Acc	Acc	Acc	Acc	Acc	Acc	BWR
		Gen	DAM	Birth Date	Wgt kg	Wgt kg	Ind	kg	kg	kg	365d Ind	540d Ind	Ind	Ind	(mm)	(mm)	(mm)						Age					
			GV	PV																			Calves					


Pregnant Cows

89 A	SERNICK BONSMARA STOET	NFS 170170	DAJ 120017	PW365	75	131	77	86	111	129	126	113	113	112	117	-	432	3-5 Mnde dragtig van MS ;NAT HDT 16-077 (02/12/19-24/02/20) ;KI NFS 15-069 (12/12/19)
		SP	<input checked="" type="checkbox"/>	DNA	3.69	27.4	0.87	0.0	21.0	41.8	217	-73	19.8	11	38	5.81	3	
			NFS 140036	05.06.17	36												45.3	
89 B	SERNICK BONSMARA STOET	NFS 170209	JRP 120081	PW365	86	117	106	87	105	118	112	101	105	109	114	-	230	3-5 Mnde dragtig van MS ;NAT NFS 17-341 (02/12/19-24/02/20) ;KI CEF 13-548 (12/12/19)
		SP	<input checked="" type="checkbox"/>	DNA	2.51	21.2	-0.44	0.3	15.0	34.2	153	-49	13.7	9	34	6.29	2.7	
			ZVJ 100123	04.09.17	33												43.4	
90 B	SERNICK BONSMARA STOET	NFS 170217	JRP 120081	PW365	78	123	116	90	121	124	120	118	105	105	112	-	237	3-5 Mnde dragtig van MS ;NAT NFS 17-341 (02/12/19-24/02/20) ;KI CEF 13-548 (12/12/19)
		SP	<input checked="" type="checkbox"/>	DNA	3.40	23.8	-0.92	1.1	33.0	38.7	188	-83	13.4	6	31	5.74	2.7	
			ZVJ 120016	07.09.17	35												34.1	
91 A	SERNICK BONSMARA STOET	NFS 170264	NFS 130127	PW365	84	114	106	108	117	124	118	123	103	108	109	-	229	3-5 Mnde dragtig van ABB 16-508 (02/12/19-24/02/20)
		SP	<input checked="" type="checkbox"/>	DNA	2.72	19.7	-0.47	6.1	28.0	38.7	180	-95	12.3	8	26	5.34	2.7	
			NFS 100227	21.09.17	34												37.5	
91 B	SERNICK BONSMARA STOET	NFS 170369	AG 140219	PW365	103	105	125	91	82	103	106	106	105	97	101	-	232	3-5 Mnde dragtig van MS ;NAT ABB 16-508 (02/12/19-24/02/20) ;KI NFS 15-069 (12/12/19)
		SP	<input checked="" type="checkbox"/>	DNA	0.71	15.4	-1.32	1.4	-10.0	24.0	122	-59	13.5	-1	16	6.85	2.6	
			ZVJ 120030	11.10.17	32												45.4	
92 A	SERNICK BONSMARA STOET	NFS 170102	NFS 140151	PW365	81	113	118	114	100	106	90	93	109	103	103	-	252	3-5 Mnde dragtig van MS ;NAT ABB 16-508 (02/12/19-24/02/20) ;KI MCU 17-037 (12/12/19)
		SP	<input checked="" type="checkbox"/>	DNA	3.03	19.3	-1.03	7.7	10.0	26.2	52	-31	17.1	4	18	6.38	3.1	
			NFS 130152	02.05.17	38												50.4	

1.02	13.3	-0.19	3.8	10	21.7	96	-46	9.6	2	14
------	------	-------	-----	----	------	----	-----	-----	---	----

Lot 89A 3-5 Mnde dragtig van MS
NAT HDT 16-077 (02/12/19-24/02/20)
KI NFS 15-069 (12/12/19)

DAJ 120017
SPN Mat. 94



NFS 170170
SPN Mat. 86
AFC 21
ICP
RI 135
Age/Calv. 2/1
Avg. WI/Calf 97/1

DAJ 090036
SPN Mat. 113

DAJ 090083
AFC 29 SPN Mat. 87
ICP 368 Age/Calv. 11/9
Avg. WI/Calf 99/7


LAR 070037
SPN Mat. 98

NFS 060435
AFC 23 SPN Mat. 129
ICP 401 Age/Calv. 7/6
Avg. WI/Calf 106/4

GCD 050148
SPN Mat. 110
DAJ 060063
SPN Mat. 92
CEF 990287
SPN Mat. 99
DAJ 050033
SPN Mat. 99
BG 040088
SPN Mat. 112
LAR 040240
SPN Mat. 102
DFP 000173
SPN Mat. 124
T 010057
SPN Mat. 105

Lot 89B 3-5 Mnde dragtig van MS
NAT NFS 17-341 (02/12/19-24/02/20)
KI CEF 13-548 (12/12/19)

JRP 120081
SPN Mat. 59



NFS 170209
SPN Mat. 87
AFC 25
ICP
RI 124
Age/Calv. 2/1
Avg. WI/Calf 103/1

LAR 070055
SPN Mat. 81

JRP 010030
AFC 32 SPN Mat. 89
ICP 382 Age/Calv. 17/15
Avg. WI/Calf 101/14


BEI 070107
SPN Mat. 122

MRW 040134
AFC 25 SPN Mat. 90
ICP 501 Age/Calv. 6/4
Avg. WI/Calf 98/4

BG 040088
SPN Mat. 112
LAR 040160
SPN Mat. 80
BP 960054
SPN Mat. 88
HES 930020
SPN Mat. 75
BEI 020134
SPN Mat. 88
BEI 040046
SPN Mat. 102
T 940060
SPN Mat. 115
MRW 970235
SPN Mat. 59

Lot 90B 3-5 Mnde dragtig van MS
NAT NFS 17-341 (02/12/19-24/02/20)
KI CEF 13-548 (12/12/19)

JRP 120081
SPN Mat. 59



NFS 170217
SPN Mat. 90
AFC 25
ICP
RI 125
Age/Calv. 2/1
Avg. WI/Calf 102/1

LAR 070055
SPN Mat. 81

JRP 010030
AFC 32 SPN Mat. 89
ICP 382 Age/Calv. 17/15
Avg. WI/Calf 101/14


PHR 070200
SPN Mat. 132

HJS 020391
AFC 29 SPN Mat. 110
ICP 416 Age/Calv. 10/8
Avg. WI/Calf 101/7

BG 040088
SPN Mat. 112
LAR 040160
SPN Mat. 80
BP 960054
SPN Mat. 88
HES 930020
SPN Mat. 75
PHR 030036
SPN Mat. 117
PHR 030097
SPN Mat. 112
MMJ 980012
SPN Mat. 95
HJS 990065
SPN Mat. 108

Lot 91A 3-5 Mnde dragtig van ABB 16-508 (02/12/19-24/02/20)

NFS 130127
SPN Mat. 103
Silver



NFS 170264
SPN Mat. 108
AFC 25
ICP
RI 126
Age/Calv. 2/1
Avg. WI/Calf 97/1

NFS 080032
SPN Mat. 119
Gold

NFS 100059
AFC 29 SPN Mat. 89
ICP 395 Age/Calv. 10/8
Avg. WI/Calf 97/7


NFS 060287
SPN Mat. 108
Silver

NFS 000336
AFC 35 SPN Mat. 105
ICP 368 Age/Calv. 12/10
Avg. WI/Calf 102/9

NFS 050325
SPN Mat. 122
NFS 060055
SPN Mat. 139
ZAK 030082
SPN Mat. 65
NFS 060207
SPN Mat. 117
VV 940061
SPN Mat. 111
NFS 010280
SPN Mat. 102
NFS N 0174
SPN Mat. 91
NFS 960187
SPN Mat. 113

Lot 91B 3-5 Mnde dragtig van MS
NAT ABB 16-508 (02/12/19-24/02/20)
KI NFS 15-069 (12/12/19)

AG 140219
SPN Mat. 83



NFS 170369
SPN Mat. 91
AFC 24
ICP
RI 128
Age/Calv. 2/1
Avg. WI/Calf 98/1

CEF 100327
SPN Mat. 86

AG 100265
AFC 26 SPN Mat. 92
ICP 491 Age/Calv. 4/2
Avg. WI/Calf 98/2


PHR 070200
SPN Mat. 132

HJS 040111
AFC 29 SPN Mat. 122
ICP 389 Age/Calv. 12/10
Avg. WI/Calf 109/10

CEF 070468
SPN Mat. 93
CEF 070171
SPN Mat. 96
AG 070040
SPN Mat. 97
AG 080333
SPN Mat. 102
PHR 030036
SPN Mat. 117
PHR 030097
SPN Mat. 112
CEF 990056
SPN Mat. 100
HJS 980201
SPN Mat. 99

Lot 92A 3-5 Mnde dragtig van MS
NAT ABB 16-508 (02/12/19-24/02/20)
KI MCU 17-037 (12/12/19)

NFS 140151
SPN Mat. 103



NFS 170102
SPN Mat. 114
AFC 28
ICP
RI 114
Age/Calv. 2/1
Avg. WI/Calf 99/1

NFS 110101
SPN Mat. 100
Silver

JMP 100211
AFC 31 SPN Mat. 105
ICP 404 Age/Calv. 4/2
Avg. WI/Calf 112/2

NFS 060243
SPN Mat. 136
Gold

NFS 070268
AFC 29 SPN Mat. 89
ICP 398 Age/Calv. 10/8
Avg. WI/Calf 102/8

NFS 080032
SPN Mat. 119
NFS 000257
SPN Mat. 108
JMP 060140
SPN Mat. 94
JMP 050140
SPN Mat. 86
AG 020338
SPN Mat. 111
T 030046
SPN Mat. 151
RGR 030116
SPN Mat. 83
NFS 020080
SPN Mat. 94

VROULIKE DIERE

Lot	Verkoper	ID	OUERS	Toets	Teelwaarde indekse											Dae Oop	Gebruiker Eie Opmerkings		
					VADER GV OV	Genomies Getoets	Geb Dir	Speen Dir	Geb Mat	Speen Mat	Volwas- se Gewig	Naspeen	GDT	VOV	SO			Hgt	Lgt
		POENA	MOEDER GV OV	DNS	Akk	Akk	Akk	Akk	Akk	Akk	Akk	Akk	Akk	Akk	Akk	Akk	GGV	Oud	
		Gen	Geb. dat.		Gew kg	Gew kg	Ind	kg	kg	kg	365d Ind	540d Ind	Ind	Ind	(mm)	(mm)	(mm)	SGV	Kalwers

Dragtige Koeie

92 B	SERNICK BONSMARA STOET	NFS 170283	LAR 130207	NS365	79	110	111	93	114	109	101	97	98	88	100	-	245	3-5 Mnde dragtig van MS ;NAT ABB 16-508 (02/12/19-24/02/20) ;KI MCU 17-037 (12/12/19)
			<input checked="" type="checkbox"/>		3.21	17.7	-0.70	2.0	25.0	28.1	102	-40	8.2	-8	14		2.7	
			NFS 110012	DNS	78	73	58	54	40	58	54	53	57	58	56	5.44		
		SP	25.09.17		40											33.6	1	
93 A	SERNICK BONSMARA STOET	NFS 170215	JRP 120081	NS365	76	122	122	88	110	122	112	113	104	111	110	-	236	3-5 Mnde dragtig van MS ;NAT NFS 17-341 (02/12/19-24/02/20) ;KI CEF 13-548 (12/12/19)
			<input checked="" type="checkbox"/>		3.55	23.4	-1.21	0.5	21.0	37.0	152	-74	12.6	11	29		2.7	
			ZVJ 130043	DNS	80	75	63	59	48	60	56	56	58	59	58	5.65		
		SP	07.09.17		35											34.1	1	
93 B	SERNICK BONSMARA STOET	NFS 170261	GJN 140292	NS365	105	92	88	95	89	102	96	95	86	80	89	-	237	3-5 Mnde dragtig van MS ;NAT AJF 16-574 (02/12/19-24/02/20) ;KI NFS 16-296 (12/12/19)
			<input checked="" type="checkbox"/>		0.49	9.5	0.36	2.4	-2.0	23.3	77	-36	-1.2	-15	-2		2.7	
			NFS 150319	DNS	77	70	56	49	43	48	45	41	49	49	48	6.86		
		SP	20.09.17		29											47.4	1	
94 A	SERNICK BONSMARA STOET	NFS 170056	JRP 120081	NS365	88	126	109	83	109	129	107	109	112	108	113	-	261	3-5 Mnde dragtig van MS ;NAT NFS 17-341 (02/12/19-24/02/20) ;KI CEF 13-548 (12/12/19)
			<input checked="" type="checkbox"/>		2.25	24.9	-0.58	-1.0	20.0	41.9	127	-65	19.0	8	32		3.1	
			NFS 120177	DNS	78	72	62	58	44	58	54	56	56	57	56	5.62		
		SP	23.04.17		34											36.4	1	
94 B	SERNICK BONSMARA STOET	NFS 170317	NFS 140154	NS365	90	120	100	96	132	128	119	122	107	109	114	-	225	3-5 Mnde dragtig van MS ;NAT NFS 17-207 (02/12/19-24/02/20) ;KI NFS 15-069 (12/12/19)
			<input checked="" type="checkbox"/>		2.05	22.3	-0.17	2.7	44.0	41.6	183	-93	15.1	9	33		2.6	
			NFS 140189	DNS	78	73	58	56	46	59	52	54	54	55	54	7.35		
		SP	29.09.17		36											43.2	1	
95 A	SERNICK BONSMARA STOET	NFS 170205	LMR 130094	NS365	97	103	93	92	99	105	89	90	89	93	99	-	221	3-5 Mnde dragtig van MS ;NAT NFS 17-207 (02/12/19-24/02/20) ;KI NFS 16-296 (12/12/19)
			<input checked="" type="checkbox"/>		1.29	14.8	0.14	1.6	9.0	25.3	46	-25	1.1	-4	12		2.7	
			NFS 150302	DNS	77	70	55	49	36	54	48	47	51	52	51	7.16		
		SP	01.09.17		29											46.7	1	

KONINKRIJK DER NEDERLANDEN SAAMGESTEL DEUR DIE SUID-AFRIKAANSE STAMBOEK- EN VEEVERBETERINGSVERENIGING

Veilingsdatum: 05/06/2020

Data soos op 22/05/2020 14:33:43

Lot 92B 3-5 Mnde dragtig van MS
NAT ABB 16-508 (02/12/19-24/02/20)
KI MCU 17-037 (12/12/19)

AG 040077
SPN Mat. 77
HJB 020092
SPN Mat. 94
LAR 070304
SPN Mat. 109
LAR 000092
SPN Mat. 108
RGR 030116
SPN Mat. 83
T 030095
SPN Mat. 117
VV 030159
SPN Mat. 94
NFS 040104
SPN Mat. 109

AG 070457
SPN Mat. 83

LAR 100153
OEK 36 SPN Mat. 107
TKP 401 Oud/Kalw. 10/7
Gem. SI/Kalf 106/6

NFS 080168
SPN Mat. 88
Brons

NFS 070181
SPN Mat. 101
Oud/Kalw. 7/5
Gem. SI/Kalf 100/5

LAR 130207
SPN Mat. 87


NFS 110012

NFS 170283
SPN Mat. 93
OEK 24
TKP
RI 128
Oud/Kalw. 2/1
Gem. SI/Kalf 94/1

LAR 130207
SPN Mat. 87

NFS 110012

OEK 36 SPN Mat. 101
TKP 401 Oud/Kalw. 8/6
RI 102 Gem. SI/Kalf 99/6



Lot 93A 3-5 Mnde dragtig van MS
NAT NFS 17-341 (02/12/19-24/02/20)
KI CEF 13-548 (12/12/19)

AG 040088
SPN Mat. 112
LAR 040160
SPN Mat. 80
BP 960054
SPN Mat. 88
HES 930020
SPN Mat. 75
RCO 980037
SPN Mat. 68
MMJ 060053
SPN Mat. 113
HJS 970048
SPN Mat. 115
HJS 940148
SPN Mat. 82

LAR 070055
SPN Mat. 81

JRP 010030
Elite-Goud
SPN Mat. 89
Oud/Kalw. 17/15
Gem. SI/Kalf 101/14

MMJ 080153
SPN Mat. 88

HJS 010266
SPN Mat. 96
Oud/Kalw. 15/12
Gem. SI/Kalf 101/12


JRP 120081
SPN Mat. 59

NFS 170215
SPN Mat. 88
OEK 25
TKP
RI 125
Oud/Kalw. 2/1
Gem. SI/Kalf 104/1

ZVJ 130043
SPN Mat. 113
Oud/Kalw. 6/5
Gem. SI/Kalf 109/5

OEK 32 SPN Mat. 89
TKP 382 Oud/Kalw. 17/15
Gem. SI/Kalf 101/14

OEK 36 SPN Mat. 96
TKP 385 Oud/Kalw. 15/12
Gem. SI/Kalf 101/12



Lot 93B 3-5 Mnde dragtig van MS
NAT AJF 16-574 (02/12/19-24/02/20)
KI NFS 16-296 (12/12/19)

VV 040046
SPN Mat. 113
GJN 060003
SPN Mat. 99
RCO 980082
SPN Mat. 63
GJN 010030
SPN Mat. 111
CEF 080426
SPN Mat. 62
CEF 080204
SPN Mat. 74
NFS 060368
SPN Mat. 121
NFS 040126
SPN Mat. 90

GJN 080021
SPN Mat. 99

GJN 040239
OEK 23 SPN Mat. 85
TKP 364 Oud/Kalw. 12/11
Gem. SI/Kalf 95/11

CEF 120418
SPN Mat. 54

NFS 090048
SPN Mat. 112
Oud/Kalw. 11/9
Gem. SI/Kalf 101/8

GJN 140292
SPN Mat. 100


NFS 150319

NFS 170261
SPN Mat. 95
OEK 24
TKP
RI 126
Oud/Kalw. 2/1
Gem. SI/Kalf 110/1

GJN 140292
SPN Mat. 100

NFS 150319

OEK 23 SPN Mat. 89
TKP 396 Oud/Kalw. 4/3
RI 121 Gem. SI/Kalf 101/3



Lot 94A 3-5 Mnde dragtig van MS
NAT NFS 17-341 (02/12/19-24/02/20)
KI CEF 13-548 (12/12/19)

AG 040088
SPN Mat. 112
LAR 040160
SPN Mat. 80
BP 960054
SPN Mat. 88
HES 930020
SPN Mat. 75
NFS 060184
SPN Mat. 105
NFS 070084
SPN Mat. 79
NFS 060243
SPN Mat. 136
NFS 070026
SPN Mat. 93

LAR 070055
SPN Mat. 81

JRP 010030
Elite-Goud
SPN Mat. 89
Oud/Kalw. 17/15
Gem. SI/Kalf 101/14

NFS 090028
SPN Mat. 91
Brons

NFS 090067
SPN Mat. 111
Oud/Kalw. 7/6
Gem. SI/Kalf 103/4


JRP 120081
SPN Mat. 59

NFS 170056
SPN Mat. 83
OEK 28
TKP
RI 114
Oud/Kalw. 2/1
Gem. SI/Kalf 110/1

NFS 120177
SPN Mat. 106
Oud/Kalw. 7/5
Gem. SI/Kalf 105/4

OEK 32 SPN Mat. 89
TKP 382 Oud/Kalw. 17/15
Gem. SI/Kalf 101/14

OEK 26 SPN Mat. 111
TKP 360 Oud/Kalw. 7/6
Gem. SI/Kalf 103/4



Lot 94B 3-5 Mnde dragtig van MS
NAT NFS 17-207 (02/12/19-24/02/20)
KI NFS 15-069 (12/12/19)

NFS 080032
SPN Mat. 119
NFS 000257
SPN Mat. 108
NFS 070163
SPN Mat. 84
NFS 060301
SPN Mat. 99
NFS 050325
SPN Mat. 122
NFS 060055
SPN Mat. 139
NFS 060368
SPN Mat. 121
NFS 040126
SPN Mat. 90

NFS 110101
SPN Mat. 100
Silver

NFS 100204
OEK 29 SPN Mat. 85
TKP 369 Oud/Kalw. 10/8
Gem. SI/Kalf 95/7

NFS 080032
SPN Mat. 119
Goud

NFS 090048
SPN Mat. 112
Oud/Kalw. 11/9
Gem. SI/Kalf 101/8

NFS 140154
SPN Mat. 85


NFS 140189

NFS 170317
SPN Mat. 96
OEK 24
TKP
RI 126
Oud/Kalw. 2/1
Gem. SI/Kalf 107/1

NFS 140154
SPN Mat. 85

NFS 140189

OEK 24 SPN Mat. 110
TKP 366 Oud/Kalw. 5/4
RI 121 Gem. SI/Kalf 103/3



Lot 95A 3-5 Mnde dragtig van MS
NAT NFS 17-207 (02/12/19-24/02/20)
KI NFS 16-296 (12/12/19)

AG 060481
SPN Mat. 91
AG 970106
SPN Mat. 80
AG 990166
SPN Mat. 79
LMR 020195
SPN Mat. 107
LAR 070055
SPN Mat. 81
JRP 030022
SPN Mat. 75
NFS 030031
SPN Mat. 115
JHO 020051
SPN Mat. 113

AG 100008
SPN Mat. 93

LMR 070093
OEK 35 SPN Mat. 94
TKP 366 Oud/Kalw. 12/10
Gem. SI/Kalf 95/10

JRP 120062
SPN Mat. 59

NFS 060309
SPN Mat. 125
Oud/Kalw. 13/11
Gem. SI/Kalf 101/9


LMR 130094
SPN Mat. 89

NFS 170205
SPN Mat. 92
OEK 25
TKP
RI 123
Oud/Kalw. 2/1
Gem. SI/Kalf 101/1

NFS 150302
SPN Mat. 93
Oud/Kalw. 4/3
Gem. SI/Kalf 96/3

OEK 35 SPN Mat. 94
TKP 366 Oud/Kalw. 12/10
Gem. SI/Kalf 95/10


OEK 35 SPN Mat. 125
TKP 364 Oud/Kalw. 13/11
Gem. SI/Kalf 101/9



Lot 95B 3-5 Mnde dragtig van MS
 NAT NFS 17-341 (02/12/19-24/02/20)
 KI CEF 13-548 (12/12/19)

NFS 170296
 SPN Mat. 76
 AFC 24
 ICP
 RI 129
 Age/Calv. 2/1
 Avg. WI/Calf 99/1

JRP 120081
 SPN Mat. 59



NFS 100059
 SPN Mat. 89
 Age/Calv. 10/8
 Avg. WI/Calf 97/7

LAR 070055
 SPN Mat. 81

Elite-Gold

JRP 010030
 SPN Mat. 89
 Age/Calv. 17/15
 Avg. WI/Calf 101/14

ZAK 030082
 SPN Mat. 65


NFS 060207
 SPN Mat. 117
 Age/Calv. 6/4
 Avg. WI/Calf 111/4

BG 040088
 SPN Mat. 112
LAR 040160
 SPN Mat. 80
BP 960054
 SPN Mat. 88
HES 930020
 SPN Mat. 75
LAR 000017
 SPN Mat. 69
ZAK 990036
 SPN Mat. 104
RCO 980053
 SPN Mat. 83
T 020036
 SPN Mat. 107

Lot 96A 3-5 Mnde dragtig van MS
 NAT NFS 17-341 (02/12/19-24/02/20)
 KI CEF 14-311 (12/12/19)

NFS 170108
 SPN Mat. 92
 AFC 28
 ICP
 RI 114
 Age/Calv. 2/1
 Avg. WI/Calf 104/1

NFS 110101
 SPN Mat. 100
 Silver



ZVJ 130104
 SPN Mat. 84
 Age/Calv. 5/4
 Avg. WI/Calf 99/3

NFS 080032
 SPN Mat. 119
 Gold

NFS 000257
 SPN Mat. 108
 Age/Calv. 14/12
 Avg. WI/Calf 98/12

ZVJ 110072
 SPN Mat. 73
 Bronze
 Elite-Silver


ZVJ 110059
 SPN Mat. 124
 Age/Calv. 8/7
 Avg. WI/Calf 108/7

NFS 050325
 SPN Mat. 122
NFS 060055
 SPN Mat. 139
NFS 960350
 SPN Mat. 117
NFS 960197
 SPN Mat. 109
AG 060481
 SPN Mat. 91
SSK 070001
 SPN Mat. 87
ZVJ 090005
 SPN Mat. 135
SSK 080015
 SPN Mat. 114

Lot 96B 3-5 Mnde dragtig van MS
 NAT NFS 17-341 (02/12/19-24/02/20)
 KI CEF 13-548 (12/12/19)

NFS 170413
 SPN Mat. 69
 AFC 22
 ICP
 RI 132
 Age/Calv. 2/1
 Avg. WI/Calf 100/2

JRP 120081
 SPN Mat. 59



ZVJ 110132
 SPN Mat. 95
 Age/Calv. 7/5
 Avg. WI/Calf 95/5

LAR 070055
 SPN Mat. 81

Elite-Gold

JRP 010030
 SPN Mat. 89
 Age/Calv. 17/15
 Avg. WI/Calf 101/14

PHR 070200
 SPN Mat. 132


AG 030402
 SPN Mat. 87
 Age/Calv. 8/5
 Avg. WI/Calf 101/5

BG 040088
 SPN Mat. 112
LAR 040160
 SPN Mat. 80
BP 960054
 SPN Mat. 88
HES 930020
 SPN Mat. 75
PHR 030036
 SPN Mat. 117
PHR 030097
 SPN Mat. 112
AG 990153
 SPN Mat. 69
AG 990209
 SPN Mat. 90

Lot 97A 3-5 Mnde dragtig van MS
 NAT AJF 16-574 (02/12/19-24/02/20)
 KI MCU 17-037 (12/12/19)

NFS 170076
 SPN Mat. 98
 AFC 28
 ICP
 RI 114
 Age/Calv. 2/1
 Avg. WI/Calf 98/1

NFS 140154
 SPN Mat. 85



SSK 090021
 SPN Mat. 113
 Age/Calv. 9/7
 Avg. WI/Calf 108/5

NFS 110101
 SPN Mat. 100
 Silver

NFS 100204
 SPN Mat. 85
 Age/Calv. 10/8
 Avg. WI/Calf 95/7


SSK 970031
 SPN Mat. 71
 Age/Calv. 16/12
 Avg. WI/Calf 93/12

NFS 080032
 SPN Mat. 119
NFS 000257
 SPN Mat. 108
NFS 070163
 SPN Mat. 84
NFS 060301
 SPN Mat.
 SPN Mat.
SSK 940004
 SPN Mat. 52
SSK 900042
 SPN Mat. 88

Lot 97B 3-5 Mnde dragtig van MS
 NAT NFS 17-341 (02/12/19-24/02/20)
 KI CEF 13-548 (12/12/19)

NFS 170150
 SPN Mat. 71
 AFC 28
 ICP
 RI 116
 Age/Calv. 2/1
 Avg. WI/Calf 97/1

NFS 140056
 SPN Mat. 77
 Bronze



NFS 140109
 SPN Mat. 76
 Age/Calv. 4/3
 Avg. WI/Calf 99/2

NFS 110101
 SPN Mat. 100
 Silver

NFS 100230
 SPN Mat. 65
 Age/Calv. 9/7
 Avg. WI/Calf 92/6

FCT 120035
 SPN Mat. 100


ZVJ 090106
 SPN Mat. 66
 Age/Calv. 5/4
 Avg. WI/Calf 93/4

NFS 080032
 SPN Mat. 119
NFS 000257
 SPN Mat. 108
NFS 070151
 SPN Mat. 79
NFS 080228
 SPN Mat. 87
FCT 090080
 SPN Mat. 104
FCT 090202
 SPN Mat. 85
FCT 010228
 SPN Mat. 37
HJS 050331
 SPN Mat. 100

Lot 98A 3-5 Mnde dragtig van AJF 16-574 (02/12/19-24/02/20)

NFS 170197
 SPN Mat. 104
 AFC 25
 ICP
 RI 125
 Age/Calv. 2/1
 Avg. WI/Calf 95/1

PER 130086
 SPN Mat. 100
 Gold



NFS 150051
 SPN Mat. 108
 Age/Calv. 2/1
 Avg. WI/Calf 104/1

PHR 100348
 SPN Mat. 127

PER 100046
 SPN Mat. 75
 Age/Calv. 9/7
 Avg. WI/Calf 99/6

JMP 100228
 SPN Mat. 86
 Bronze




ZVJ 120105
 SPN Mat. 122
 Age/Calv. 8/6
 Avg. WI/Calf 104/5

PHR 060150
 SPN Mat. 118
PHR 060301
 SPN Mat. 117
PER 060117
 SPN Mat. 64
PER 040080
 SPN Mat. 78
JMP 060278
 SPN Mat. 86
JMP 060079
 SPN Mat. 95
ZVJ 090005
 SPN Mat. 135
ZVJ 100020
 SPN Mat. 101


VROULIKE DIERE

Lot	Verkoper	ID	POENA	Gen	OUERS		Toets	Teelwaarde indekse										Dae Oop	Oud	Gebruiker Eie Opmerkings	
					VADER GV OV	MOEDER GV OV		Geb Dir	Speen Dir	Geb Mat	Speen Mat	Volw Gew	Naspeen	GDT	VOV	SO	Hgt				Lgt


Lot 98B 3-5 Mnde dragtig van AJF 16-574 (02/12/19-24/02/20)

<p>NFS 170244 SPN Mat. 93 OEK 25 TKP RI 123 Oud/Kalw. 2/1 Gem. Sl/Kalf 97/1</p>	 <p>GJN 140292 SPN Mat. 100</p>	 <p>GJN 080021 SPN Mat. 99</p>	 <p>VV 040046 SPN Mat. 113 GJN 060003 SPN Mat. 99 RCO 980082 SPN Mat. 63 GJN 010030 SPN Mat. 111 FCT 080201 SPN Mat. 110 FCT 080094 SPN Mat. 83 ZAK 030082 SPN Mat. 65 NFS 060207 SPN Mat. 117</p>
<p>NFS 150298 OEK 23 SPN Mat. 83 TKP 365 Oud/Kalw. 4/3 RI 124 Gem. Sl/Kalf 94/3</p>	<p>NFS 100059 OEK 29 SPN Mat. 89 TKP 395 Oud/Kalw. 10/8 Gem. Sl/Kalf 97/7</p>	<p>AG 040077 SPN Mat. 77 HJB 020092 SPN Mat. 94 LAR 070304 SPN Mat. 109 LAR 000092 SPN Mat. 108 NFS 050325 SPN Mat. 122 NFS 060055 SPN Mat. 139 ZAK 030013 SPN Mat. 94 NFS 940381 SPN Mat. 114</p>	


Lot 99A 3-5 Mnde dragtig van MS
NAT NFS 17-207 (02/12/19-24/02/20)
KI NFS 15-069 (12/12/19)

<p>NFS 170198 SPN Mat. 102 OEK 25 TKP RI 124 Oud/Kalw. 2/1 Gem. Sl/Kalf 92/1</p>	 <p>PER 130086 SPN Mat. 100 Goud</p>	<p>PHR 100348 SPN Mat. 127</p>	<p>PHR 060150 SPN Mat. 118 PHR 060301 SPN Mat. 117 PER 060117 SPN Mat. 64 PER 040080 SPN Mat. 78 BEI 060124 SPN Mat. 78 FDS 070024 SPN Mat. 94 NFS 080168 SPN Mat. 88 NFS 070286 SPN Mat. 124</p>
<p>NFS 110062 OEK 30 SPN Mat. 109 TKP 557 Oud/Kalw. 4/2 Gem. Sl/Kalf 104/2</p>	<p>WAT 050078 SPN Mat. 86 HJB 020112 SPN Mat. 103 NFS 050252 SPN Mat. 82 T 030035 SPN Mat. 95 RGR 970055 SPN Mat. 121 RGR 960015 SPN Mat. 75 DFP 000173 SPN Mat. 124 NFS 990329 SPN Mat. 148</p>		


Lot 99B 3-5 Mnde dragtig van MS
NAT ABB 16-508 (02/12/19-24/02/20)
KI NFS 16-296 (12/12/19)

<p>NFS 170293 SPN Mat. 102 OEK 24 TKP RI 128 Oud/Kalw. 2/1 Gem. Sl/Kalf 100/1</p>	 <p>LAR 130207 SPN Mat. 87</p>	<p>AG 070457 SPN Mat. 83</p>	<p>AG 040077 SPN Mat. 77 HJB 020092 SPN Mat. 94 LAR 070304 SPN Mat. 109 LAR 000092 SPN Mat. 108 NFS 050325 SPN Mat. 122 NFS 060055 SPN Mat. 139 ZAK 030013 SPN Mat. 94 NFS 940381 SPN Mat. 114</p>
<p>NFS 130146 OEK 24 SPN Mat. 116 TKP 657 Oud/Kalw. 6/3 RI 92 Gem. Sl/Kalf 99/3</p>	<p>NFS 060173 OEK 28 SPN Mat. 123 TKP 364 Oud/Kalw. 12/11 Gem. Sl/Kalf 103/10</p>	<p>FCT 080201 SPN Mat. 110 FCT 080094 SPN Mat. 83 BHE 010114 SPN Mat. 80 SSK 010016 SPN Mat. 116 NFS 060039 SPN Mat. 114 NFS 070290 SPN Mat. 103 NFS 060368 SPN Mat. 121 NFS 000181 SPN Mat. 109</p>	

Lot 100A 3-5 Mnde dragtig van MS
NAT NFS 17-207 (02/12/19-24/02/20)
KI CEF 14-311 (12/12/19)

<p>NFS 170019 SPN Mat. 94 OEK 30 TKP RI 109 Oud/Kalw. 2/1 Gem. Sl/Kalf 99/1</p>	 <p>ABB 140515 SPN Mat. 89</p>	<p>ABB 100076 SPN Mat. 78</p>	<p>WAT 050078 SPN Mat. 86 HJB 020112 SPN Mat. 103 NFS 050252 SPN Mat. 82 T 030035 SPN Mat. 95 RGR 970055 SPN Mat. 121 RGR 960015 SPN Mat. 75 DFP 000173 SPN Mat. 124 NFS 990329 SPN Mat. 148</p>
<p>NFS 050296 OEK 22 SPN Mat. 132 TKP 397 Oud/Kalw. 9/8 Gem. Sl/Kalf 105/7</p>	<p>NFS 050296 OEK 22 SPN Mat. 132 TKP 397 Oud/Kalw. 9/8 Gem. Sl/Kalf 105/7</p>	<p>NFS 050296 OEK 22 SPN Mat. 132 TKP 397 Oud/Kalw. 9/8 Gem. Sl/Kalf 105/7</p>	

Lot 100B 3-5 Mnde dragtig van MS
NAT NFS 17-207 (02/12/19-24/02/20)
KI NFS 16-296 (12/12/19)

<p>NFS 170328 SPN Mat. 95 OEK 24 TKP RI 127 Oud/Kalw. 2/1 Gem. Sl/Kalf 117/1</p>	 <p>NFS 150069 SPN Mat. 98</p>	<p>FCT 120053 SPN Mat. 85</p>	<p>FCT 080201 SPN Mat. 110 FCT 080094 SPN Mat. 83 BHE 010114 SPN Mat. 80 SSK 010016 SPN Mat. 116 NFS 060039 SPN Mat. 114 NFS 070290 SPN Mat. 103 NFS 060368 SPN Mat. 121 NFS 000181 SPN Mat. 109</p>
<p>NFS 110205 OEK 29 SPN Mat. 94 TKP 402 Oud/Kalw. 8/6 RI 109 Gem. Sl/Kalf 97/6</p>	<p>NFS 090052 OEK 30 SPN Mat. 107 TKP Oud/Kalw. 3/1 Gem. Sl/Kalf 92/1</p>	<p>FCT 080201 SPN Mat. 110 FCT 080094 SPN Mat. 83 BHE 010114 SPN Mat. 80 SSK 010016 SPN Mat. 116 NFS 060039 SPN Mat. 114 NFS 070290 SPN Mat. 103 NFS 060368 SPN Mat. 121 NFS 000181 SPN Mat. 109</p>	