

EXPLANATION OF ABBREVIATIONS IN CATALOGUE
VERDUIDELIKING VAN AFKORTINGS IN KATALOGUS



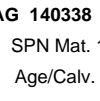
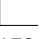
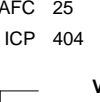

Calf traits	DIRECT CALF TRAITS	DIREKTE KALF EIENSKAPPE	Kalf eienskappe
Daughter traits	DAUGHTER TRAITS	DOGTER EIENSKAPPE	Dogter eienskappe
Growth traits	GROWTH	GROEI	Groei eienskappe
Efficiency traits	EFF	DOEL	Doeltreffendheids eienskappe
Reproduction traits	REPRODUCTION	REPRODUKSIE	Reproduksie eienskappe
Body measurements	MEASURE	MATES	Liggaamsmates
Lot number	Lot	Lot	Lotnommer
Ratio	R:	V:	Verhouding
Identification number	ID	ID	Identifikasienommer
Generation/Section of Herdbook	Gen	Gen	Generasie/Afdeling van kuddeboek
Weight in kilogram	Wgt kg	Gew kg	Gewig in kilogram
Index	Ind	Ind	Indeks
Accuracy of breeding value	Acc	Akk	Akkuraatheid van teelwaarde
Birth direct (kg)	Birth Dir	Geb Dir	Geboorte direk (kg)
Birth maternal (kg)	Birth Mat	Geb Mat	Geboorte maternaal (kg)
Wean direct (kg)	Wean Dir	Speen Dir	Speen direk (kg)
Wean maternal (kg)	Wean Mat	Speen Mat	Speen maternaal (kg)
Mature weight (kg)	Mature Wgt	Volw Gew	Volwasse gewig (kg)
365 Days (kg)	365d	365d	365 Dae (kg)
540 Days (kg)	540d	540d	540 Dae (kg)
Average daily gain (g/day)	ADG	GDT	Gemiddelde daaglikse toename (g/dag)
Feed conversion ratio	FCR	VOV	Voeromsetverhouding
Scrotal circumference (mm)	SC	SO	Skrotum omvang (mm)
Age First Calving	AFC	OEK	Ouderdom Eerste Kalwing
Inter Calving Period	ICP	TKP	Tussen Kalf Periode
Height (mm)	Hgt	Hgt	Hoogte (mm)
Length (mm)	Lgt	Lgt	Lengte (mm)
Length : Height ratio	LHR	HLV	Lengte : Hoogte verhouding
Birth weight : Cow weight ratio	BWR	GGV	Geboortegewig : Koeigewig verhouding
Wean weight : Cow weight ratio	WWR	SGV	Speengewig : Koeigewig verhouding
Age in years and months / Number of calvings	Age / Calv	Oud / Kalw	Ouderdom in jare en maande / Aantal kalwings
Average Wean index / Number of calves	Ave WI / Calf	Gem SI / Kalf	Gemiddelde Speenindeks / Aantal kalwers
Reproduction index	R.I.	R.I.	Reproduksie Indeks
Polled	Polled	Poena	Poena
Post Wean 365 days & Post Wean 540 days	PW365 & PW540	NS365 & NS540	Naspeen 365 dae & Naspeen 540 dae
Growth test & Growth test group	GT & GTg	GT & GTg	Groei Toets & Groeitoets groep
Central test	CT	ST	Sentrale toets
Ouerskap Verifikasie	OV	PV	Parentage Verification
Genomies Getoets	GT	GT	Genomically Tested
Homosigoties Poena (Celtic Toets)	PP(c)	PP(c)	Homozygous Polled (Celtic Test)
Heterosigoties Poena (Celtic Toets)	Pp(c)	Pp(c)	Heterozygous Polled (Celtic Test)
Beide Ouers Geverifieer	PV	PV	Both Parents Verified
Sire Geverifieer	SV	SV	Sire Verified
Dam Geverifieer	DV	DV	Dam Verified

Lot	Seller	ID POLLED Gen	PARENTS		Test	Breeding Value Indexes											R:	Semen Users	Breeder Own Remarks
			SIRE GV PV	DAM GV PV		Genomic Tested	Birth Dir	Wean Dir	Birth Mat	Wean Mat	Mat Wgt	Post Wean	ADG	FCR	SC	Hgt			
Acc	Acc	Acc	Acc	Acc	Acc	Acc	Acc	Acc	Acc	Acc	Acc	Acc	Acc	Acc	BWR				
Birth Date	Wgt kg	Wgt kg	Ind	kg	kg	kg	365d Ind	540d Ind	Ind	Ind	(mm)	(mm)	(mm)	WWR					



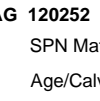
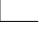
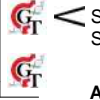

BULLS

1	DE VILLIERS AG & SEUN	AG 170123 SP	AG 140092 <input checked="" type="checkbox"/>	PW540	83	125	118	109	100	122	115	112	121	106	110	-	
			AG 140338 <input checked="" type="checkbox"/>	DNA	2.85 78	24.8 73	-0.99 47	6.4 50	10.0 35	37.1 66	166 47	-72 25	26.9 50	7 51	29 50	8.95	
				24.06.17	34	295	112		114	109	-	-		-	-	-	
2	DE VILLIERS AG & SEUN	AG 170451 SP	ADV 070154 <input checked="" type="checkbox"/>	PW540	92	103	104	104	99	109	102	97	101	95	101	-	
			AG 120252 <input checked="" type="checkbox"/>	DNA	1.85 78	14.7 73	-0.35 58	4.9 59	8.0 48	28.0 69	108 52	-40 33	10.5 54	-3 54	16 53	-	
				14.10.17	34	238	101		117	116	-	-		-	-	54	
3	DE VILLIERS AG & SEUN	AG 170389 SP	AG 110215 <input checked="" type="checkbox"/>	PW540	97	115	134	100	107	111	115	111	121	102	112	-	
			AG 100082 <input checked="" type="checkbox"/>	DNA	1.37 77	20.1 74	-1.75 59	3.9 61	18.0 51	29.3 70	167 46	-69 26	26.2 49	3 50	32 48	-	
				09.10.17	36	251	107		94	108	-	-		-	-	47.7	
4	DE VILLIERS AG & SEUN	AG 170269 SP	AG 120070 <input checked="" type="checkbox"/>	PW540	88	96	103	106	86	97	99	108	94	81	89	-	
			AG 070232 <input checked="" type="checkbox"/>	DNA	2.26 79	11.5 75	-0.35 58	5.5 61	-5.0 46	19.5 69	92 49	-64 32	5.2 52	-14 52	-2 51	-	
				26.09.17	40	257	104		92	100	-	-		-	-	-	
5	NONNA BONSMARAS	AGB 170016 B	AG 130153 <input checked="" type="checkbox"/>	PW540	95	83	83	111	-	84	-	-	-	-	-	-	
			AGB 120164 <input checked="" type="checkbox"/>	DNA	1.56 65	5.5 57	0.60 24	6.9 30	-	10.3 53	-	-	-	-	-	-	
				08.06.17	38	203	97		102	96	-	-		-	-	-	
6	DE VILLIERS AG & SEUN	AG 170447 SP	AG 120556 <input checked="" type="checkbox"/>	PW540	90	107	108	84	112	105	96	102	96	86	97	-	
			AG 130299 <input checked="" type="checkbox"/>	DNA	2.12 77	16.4 73	-0.55 52	-0.6 56	23.0 40	25.6 68	79 48	-50 41	6.2 51	-10 51	10 50	-	
				14.10.17	36	233	98		99	100	-	-		-	-	44.6	





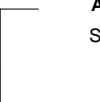

Lot 1

AG 170123 SPN Mat. 109		AG 140092 SPN Mat. 102		AG 080210 SPN Mat. 102	HJS 030016 SPN Mat. 100
				AG 090124 SPN Mat. 110	BZ 020158 SPN Mat. 130
AG 140338 AFC 32 SPN Mat. 121 ICP 417 Age/Calv. 5/3 RI 103 Avg. WI/Calf 108/2		AG 140338		Elite-Bronze AFC 25 SPN Mat. 110 ICP 404 Age/Calv. 6/5 Avg. WI/Calf 110/5	FCT 060109 SPN Mat. 115
				VV 100033 SPN Mat. 126	AG 070081 SPN Mat. 89
AG 080281 AFC 24 SPN Mat. 94 ICP 370 Age/Calv. 6/5 Avg. WI/Calf 102/5		AG 080281		VV 070012 SPN Mat. 110	VV 070012 SPN Mat. 110
				AG 050272 SPN Mat. 82	VV 010182 SPN Mat. 126
				AG 050272 SPN Mat. 124	JJ 040115 SPN Mat. 124







Lot 2

AG 170451 SPN Mat. 104		ADV 070154 SPN Mat. 105		LAR 030398 SPN Mat. 70	LAR 010297 SPN Mat. 72
				LAR 990031 SPN Mat. 85	AG 980338 SPN Mat. 87
AG 120252 AFC 37 SPN Mat. 100 ICP 465 Age/Calv. 7/4 RI 91 Avg. WI/Calf 101/4		AG 120252		ADV 030008 SPN Mat. 122	AG 990103 SPN Mat. 103
				MBT 070136 SPN Mat. 111 Silver	CEG 050021 SPN Mat. 121
AG 040102 AFC 25 SPN Mat. 85 ICP 367 Age/Calv. 13/12 Avg. WI/Calf 99/13		AG 040102		AG 040102 SPN Mat. 89	CEG 040233 SPN Mat. 95
				AG 950033 SPN Mat. 82	RAI 990034 SPN Mat. 89





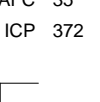

Lot 3

AG 170389 SPN Mat. 100		AG 110215 SPN Mat. 93		VV 070012 SPN Mat. 110	VV 040046 SPN Mat. 114
				Gold Elite-Gold AFC 23 SPN Mat. 89 ICP 413 Age/Calv. 11/9 Avg. WI/Calf 108/9	VV 040214 SPN Mat. 112
AG 100082 AFC 30 SPN Mat. 109 ICP 372 Age/Calv. 9/7 RI 113 Avg. WI/Calf 106/7		AG 100082 Elite-Silver		AG 020297 SPN Mat. 89	AG 960184 SPN Mat. 113
				AG 060027 SPN Mat. 91	AG 930179 SPN Mat. 75
AG 050128 AFC 25 SPN Mat. 95 ICP 457 Age/Calv. 7/5 Avg. WI/Calf 107/4		AG 050128		LAR 010176 SPN Mat. 80	LAR 010176 SPN Mat. 80
				AG 020147 SPN Mat. 129	AG 000100 SPN Mat. 92
				AG 030367 SPN Mat. 101	AG 030367 SPN Mat. 101





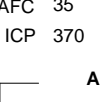

Lot 4

AG 170269 SPN Mat. 106		AG 120070 SPN Mat. 111		AG 070742 SPN Mat. 75	WAT 030085 SPN Mat. 97
				AG 080719 SPN Mat. 99	AG 030216 SPN Mat. 103
AG 070232 AFC 26 SPN Mat. 101 ICP 363 Age/Calv. 12/11 RI 118 Avg. WI/Calf 101/10		AG 070232 Elite-Silver		LAR 030398 SPN Mat. 70	LAR 030398 SPN Mat. 70
				AG 010257 SPN Mat. 104	AG 010257 SPN Mat. 104
AG 030120 AFC 24 SPN Mat. 124 ICP 375 Age/Calv. 7/6 Avg. WI/Calf 106/6		AG 030120		AG 980338 SPN Mat. 87	AG 980338 SPN Mat. 87
				AG 960246 SPN Mat. 96	AG 000010 SPN Mat. 125
				AG 000106 SPN Mat. 103	AG 000106 SPN Mat. 103

Lot 5

AGB 170016 SPN Mat. 111		AG 130153 SPN Mat. 106		AG 020251 SPN Mat. 120	AG 020251 SPN Mat. 120
				AG 010239 SPN Mat. 91	AG 010239 SPN Mat. 91
AGB 120164 AFC * SPN Mat. 114 ICP 482 Age/Calv. */2 RI 89 Avg. WI/Calf 104/2		AGB 120164		ZAK 050093 SPN Mat. 85	ZAK 050093 SPN Mat. 85
				AG 050318 SPN Mat. 80	AG 050318 SPN Mat. 80
AGB 170016 AFC * SPN Mat. 114 ICP 482 Age/Calv. */2 RI 89 Avg. WI/Calf 104/2		AGB 170016		AG 080204 SPN Mat. 124	AG 080204 SPN Mat. 124
				AG 100294 SPN Mat. 88	AG 100294 SPN Mat. 88
				AG 050318 SPN Mat. 80	AG 050318 SPN Mat. 80
				SPN Mat.	SPN Mat.
				SPN Mat.	SPN Mat.
				SPN Mat.	SPN Mat.

Lot 6



AG 170447 SPN Mat. 84		AG 120556 SPN Mat. 78		LAR 030398 SPN Mat. 70	LAR 030398 SPN Mat. 70
				AG 020165 SPN Mat. 110	AG 020165 SPN Mat. 110
AG 130299 AFC 23 SPN Mat. 88 ICP 378 Age/Calv. 6/5 RI 120 Avg. WI/Calf 105/5		AG 130299		AG 090586 SPN Mat. 96	AG 050263 SPN Mat. 115
				AG 050581 SPN Mat. 102	AG 050581 SPN Mat. 102
AG 080090 AFC 30 SPN Mat. 118 ICP 369 Age/Calv. 12/10 Avg. WI/Calf 105/10		AG 080090		ADV 100068 SPN Mat. 42	SYF 070036 SPN Mat. 73
				ADV 070142 SPN Mat. 50	ADV 070142 SPN Mat. 50
				AG 040158 SPN Mat. 109	AG 040158 SPN Mat. 109
				HTC 010028 SPN Mat. 124	HTC 010028 SPN Mat. 124

Lot	Verkoper	ID POENA Gen	OUERS VADER GV OV MOEDER GV OV	Toets Genomies Getoets DNS Geb. dat.	DIREKTE KALF EIENSKAPPE		DOGTER EIENSKAPPE			GROEI		DOEL	REP	MATES		V:	Semen Gebruikers	Gebruiker Eie Opmerkings
					Nageslag Geboorte- gewig	Nageslag Speengewig	Gemak van Kalwing	Melk prod.	Volwas- se Gewig	Naspeen- gewig	Daaglikse Toename			Voer- omset	Hoogte & Lengte			
Teelwaarde indekse																		
					Geb Dir	Speen Dir		Geb Mat	Speen Mat	Volw Gew	Naspeen		GDT	VOV	SO	Hgt	Lgt	LHV
					Akk	Akk		Akk	Akk	Akk	Akk		Akk	Akk	Akk	Akk	Akk	GGV
					Gew kg	Gew kg	Ind	kg	kg	kg	365d Ind	540d Ind	Ind	Ind	(mm)	(mm)	(mm)	SGV



BULLE

7	DE VILLIERS AG & SEUN	AG 170335	GJN 150096 <input checked="" type="checkbox"/>	NS540	93	117		106	86	109	118		112	106	104	104	111	-	
			AG 130382 <input checked="" type="checkbox"/>	DNS	1.77 77	21.1 70		-0.45 48	0.0 50	20.0 42	34.5 64		152 41	-60 22	12.7 46	5 46	30 45	-	
				03.10.17	36	258	110			117	107	-	-	-	-	-	-	-	54
8	DE VILLIERS AG & SEUN	AG 170871	AG 130024 <input checked="" type="checkbox"/>	NS540	102	107		99	108	85	110		116	110	113	97	104	-	
			AG 130385 <input checked="" type="checkbox"/>	DNS	0.85 77	16.4 74		-0.15 58	6.1 60	-7.0 45	28.5 70		174 53	-68 24	20.4 55	-1 55	21 55	-	
				06.11.17	38	259	110			112	105	-	-	-	-	-	-	-	50.2
9	DE VILLIERS AG & SEUN	AG 170766	AG 130312 <input checked="" type="checkbox"/>	NS540	121	96		107	107	100	94		104	102	105	94	98	-	
			AG 140421 <input checked="" type="checkbox"/>	DNS	-1.25 78	11.7 73		-0.52 47	6.0 50	10.0 35	17.9 58		114 41	-51 20	13.8 45	-3 46	12 45	-	
				24.10.17	29	252	98			91	96	-	-	-	-	-	-	-	
10	DE VILLIERS AG & SEUN	AG 171004	AG 140046 <input checked="" type="checkbox"/>	NS540	99	106		109	98	97	108		104	105	109	101	105	-	
			AG 140163 <input checked="" type="checkbox"/>	DNS	1.08 76	15.9 71		-0.58 47	3.4 50	7.0 33	27.2 67		116 35	-57 20	16.6 36	2 37	22 36	-	
				03.12.17	32	235	111			101	106	-	-	-	-	-	-	-	
11	DE VILLIERS AG & SEUN	AG 170846	AG 110215 <input checked="" type="checkbox"/>	NS540	97	106		122	102	97	108		112	105	124	112	112	-	
			AG 060005 <input checked="" type="checkbox"/>	DNS	1.32 79	16.2 76		-1.19 60	4.5 62	6.0 48	27.5 70		155 47	-56 26	29.4 50	11 51	31 49	-	
				31.10.17	34	333	112			93	95	-	-	-	-	-	-	-	
12	DE VILLIERS AG & SEUN	AG 160242	AG 130115 <input checked="" type="checkbox"/>	NS540	132	83		101	105	81	96		104	102	95	97	101	-	
			PP(c) <input checked="" type="checkbox"/>	DNS	-2.38 90	5.7 82		-0.22 53	5.3 57	-12.0 41	18.9 68		116 35	-51 20	6.0 36	-1 36	15 35	7	
			AG 130726 <input checked="" type="checkbox"/>	23.09.16	28	278	115			119	106	-	-	-	-	-	-	-	



Lot 7

<p>AG 170335 SPN Mat. 86</p>		<p>GJN 150096 SPN Mat. 83</p> <p>AG 130382 SPN Mat. 91 Oud/Kalw. 6/5 Gem. SI/Kalf 100/4</p> <p>OEK 24 TKP 373 RI 120</p>		<p>AG 110231 SPN Mat. 83</p> <p>GJN 110379 SPN Mat. 84 Oud/Kalw. 4/2 Gem. SI/Kalf 91/2</p> <p>AG 080263 SPN Mat. 100 Oud/Kalw. 12/10 Gem. SI/Kalf 100/8</p> <p>OEK 24 TKP 574 OEK 26 TKP 385</p>	<p>AG 070745 SPN Mat. 94</p> <p>AG 070467 SPN Mat. 108</p> <p>AG 070480 SPN Mat. 110</p> <p>GJN 060033 SPN Mat. 84</p> <p>AG 060033 SPN Mat. 84</p> <p>AG 070468 SPN Mat. 93</p> <p>AG 070171 SPN Mat. 96</p> <p>AG 060160 SPN Mat. 99</p> <p>AG 060118 SPN Mat. 97</p>
---	---	--	---	---	--



Lot 8

<p>AG 170871 SPN Mat. 108</p>		<p>AG 130024 SPN Mat. 100</p> <p>AG 130385 SPN Mat. 114 Oud/Kalw. 6/5 Gem. SI/Kalf 104/5</p> <p>OEK 25 TKP 351 RI 121</p>		<p>AG 090751 SPN Mat. 113</p> <p>HJB 030230 SPN Mat. 93 Oud/Kalw. 12/9 Gem. SI/Kalf 99/8</p> <p>AG 090310 SPN Mat. 113</p> <p>Elite-Silwer</p> <p>AG 100082 SPN Mat. 109 Oud/Kalw. 9/7 Gem. SI/Kalf 106/7</p> <p>OEK 38 TKP 407 OEK 30 TKP 372</p>	<p>CEF 040431 SPN Mat. 91</p> <p>AG 980250 SPN Mat. 128</p> <p>LA 980044 SPN Mat. 89</p> <p>HJB 000239 SPN Mat. 93</p> <p>HJS 030016 SPN Mat. 100</p> <p>AG 040253 SPN Mat. 105</p> <p>AG 060027 SPN Mat. 91</p> <p>AG 050128 SPN Mat. 95</p>
--	---	---	---	--	---



Lot 9

<p>AG 170766 SPN Mat. 107</p>		<p>AG 130312 SPN Mat. 100</p> <p>AG 140421 SPN Mat. 110 Oud/Kalw. 5/3 Gem. SI/Kalf 106/3</p> <p>OEK 36 TKP 395 RI 100</p>		<p>AG 080249 SPN Mat. 104</p> <p>AG 090122 SPN Mat. 94 Oud/Kalw. 10/9 Gem. SI/Kalf 103/9</p> <p>HCO 090044 SPN Mat. 117</p> <p>Elite-Goud</p> <p>AG 040442 SPN Mat. 104 Oud/Kalw. 15/14 Gem. SI/Kalf 103/13</p> <p>OEK 26 TKP 374 OEK 22 TKP 374</p>	<p>EI 940339 SPN Mat. 116</p> <p>AG 060044 SPN Mat. 86</p> <p>CEW 060021 SPN Mat. 101</p> <p>LMR 050132 SPN Mat. 107</p> <p>VV 030346 SPN Mat. 116</p> <p>HJB 060044 SPN Mat. 95</p> <p>AG 020145 SPN Mat. 91</p> <p>AG 970190 SPN Mat. 101</p>
--	---	---	---	--	---



Lot 10

<p>AG 171004 SPN Mat. 98</p>		<p>AG 140046 SPN Mat. 100</p> <p>AG 140163 SPN Mat. 99 Oud/Kalw. 5/3 Gem. SI/Kalf 108/3</p> <p>OEK 32 TKP 379 RI 108</p>		<p>AG 100080 SPN Mat. 110</p> <p>AG 100783 SPN Mat. 97 Oud/Kalw. 9/6 Gem. SI/Kalf 103/5</p> <p>WBB 080049 SPN Mat. 76</p> <p>AG 080103 SPN Mat. 109 Oud/Kalw. 12/9 Gem. SI/Kalf 103/9</p> <p>OEK 38 TKP 429 OEK 31 TKP 419</p>	<p>LAR 040233 SPN Mat. 88</p> <p>AG 050239 SPN Mat. 98</p> <p>AJF 040075 SPN Mat. 119</p> <p>AG 070025 SPN Mat. 90</p> <p>AG 020172 SPN Mat. 75</p> <p>WBB 060009 SPN Mat. 91</p> <p>AG 020251 SPN Mat. 120</p> <p>AG 020164 SPN Mat. 97</p>
---	---	--	---	--	--

Lot 11

<p>AG 170846 SPN Mat. 102</p>		<p>AG 110215 SPN Mat. 93</p> <p>AG 060005 SPN Mat. 115 Oud/Kalw. 13/10 Gem. SI/Kalf 105/10</p> <p>OEK 33 TKP 405 RI 106</p>		<p>VV 070012 SPN Mat. 110 Goud Elite-Goud</p> <p>AG 020297 SPN Mat. 89 Oud/Kalw. 11/9 Gem. SI/Kalf 108/9</p> <p>FAN 000010 SPN Mat. 103</p> <p>AG 030422 SPN Mat. 97 Oud/Kalw. 3/2 Gem. SI/Kalf 102/2</p> <p>OEK 23 TKP 413 OEK 26 TKP 372</p>	<p>VV 040046 SPN Mat. 114</p> <p>VV 040214 SPN Mat. 112</p> <p>AG 960184 SPN Mat. 113</p> <p>AG 930179 SPN Mat. 75</p> <p>AMF 970431 SPN Mat. 96</p> <p>FAN 970043 SPN Mat. 92</p> <p>AG 990104 SPN Mat. 60</p> <p>AG 000031 SPN Mat. 126</p>
--	---	---	---	--	---

Lot 12

<p>AG 160242 SPN Mat. 105</p>		<p>AG 130115 PP(c) SPN Mat. 96</p> <p>AG 130726 SPN Mat. 116 Oud/Kalw. 6/4 Gem. SI/Kalf 106/4</p> <p>OEK 34 TKP 395 RI 104</p>		<p>MCU 070007 P SPN Mat. 99</p> <p>MCU 100005 P SPN Mat. 107 Oud/Kalw. 10/7 Gem. SI/Kalf 103/7</p> <p>AG 100080 SPN Mat. 110</p> <p>AG 090223 SPN Mat. 88 Oud/Kalw. 11/8 Gem. SI/Kalf 95/7</p> <p>OEK 38 TKP 400 OEK 36 TKP 393</p>	<p>JPL 040139 P SPN Mat. 82</p> <p>MCU 030040 P SPN Mat. 135</p> <p>MCU 060034 P SPN Mat. 123</p> <p>MCU 050023 SPN Mat. 78</p> <p>LAR 040233 SPN Mat. 88</p> <p>AG 050239 SPN Mat. 98</p> <p>AG 030256 SPN Mat. 86</p> <p>AG 060403 SPN Mat. 96</p>
--	---	--	---	---	--

Lot	Seller	ID POLLED Gen	PARENTS		Test	Breeding Value Indexes											LHR BWR WWR	Semen Users	Breeder Own Remarks
			SIRE GV PV	DAM GV PV		Genomic Tested DNA	Birth Dir Acc	Wean Dir Acc	Birth Mat Acc	Wean Mat Acc	Mat Wgt Acc	Post Wean Acc	ADG Acc	FCR Acc	SC Acc	Hgt Acc			
					Birth Date	Wgt kg	Wgt kg	Ind	kg	kg	kg	365d Ind	540d Ind	Ind	Ind	(mm)	(mm)	(mm)	

BULLS

13	DE VILLIERS AG & SEUN	AG 170809 SP	AG 090751 <input checked="" type="checkbox"/>	PW540	102	101	115	97	93	94	94	98	100	95	100	-	
			AG 070128 <input checked="" type="checkbox"/>	DNA	0.85 79	13.6 76	-0.86 61	3.1 63	2.0 46	17.5 71	71 53	-41 34	9.9 56	-2 56	15 55	-	
14	DE VILLIERS AG & SEUN	AG 140311 SP	AG 110038 <input checked="" type="checkbox"/>	PW540	111	95	86	108	100	102	90	86	104	83	100	-	
			JMP 080335 <input checked="" type="checkbox"/> P	DNA	-0.11 94	10.9 89	0.45 56	6.1 61	10.0 42	23.1 80	51 48	-17 29	12.6 51	-12 52	15 51	10 46.4	
15	DE VILLIERS AG & SEUN	AG 170831 SP	AG 090751 <input checked="" type="checkbox"/>	PW540	111	95	93	94	83	94	94	97	104	87	95	-	
			AG 050212 <input checked="" type="checkbox"/>	DNA	-0.19 78	11.2 75	0.14 62	2.3 64	-9.0 50	17.9 70	67 54	-39 30	13.1 57	-10 58	7 57	-	
16	DE VILLIERS AG & SEUN	AG 160386 SP	AG 130115 <input checked="" type="checkbox"/>	PW540	122	93	112	98	96	99	110	99	109	104	108	-	
			PP(c) <input checked="" type="checkbox"/> AG 140129 <input checked="" type="checkbox"/>	DNA	-1.28 84	9.9 73	-0.74 52	3.3 56	5.0 38	21.1 67	142 36	-44 20	16.6 38	5 38	26 37	8.57	
17	NONNA BONSMARAS	AGB 170023 B	AG 060431 <input checked="" type="checkbox"/>	PW540	100	66	111	118	84	74	87	83	99	101	102	-	
			AGB 110162 <input checked="" type="checkbox"/>	DNA	1.03 68	-2.5 58	-0.71 33	8.9 33	-8.0 14	3.2 54	38 17	-10 7	8.5 19	2 19	17 18	-	
18	DE VILLIERS AG & SEUN	AG 160808 SP	CEW 110234 <input checked="" type="checkbox"/>	PW540	128	79	104	86	84	81	83	95	105	72	77	-	
			AG 050212 <input checked="" type="checkbox"/>	DNA	-1.93 86	3.7 78	-0.39 59	0.0 62	-8.0 50	8.5 70	16 53	-36 27	13.8 57	-22 57	-17 56	7.39 37.9	


Breed Average

1.02	13.4	-0.19	3.9	10	21.9	97	-46	9.6	2	14
------	------	-------	-----	----	------	----	-----	-----	---	----


08/2020: SA Stud Book

Version 1.075 - Generated by logix


Lot 13

<p>AG 170809 SPN Mat. 97</p> 	<p>AG 090751 SPN Mat. 113</p>	<p>AG 070128 SPN Mat. 83</p>	<p>AG 980250 SPN Mat. 128</p>	<p>AG 940258 SPN Mat. 111</p>	<p>AG J 0008 SPN Mat. 88</p>	<p>AG 960059 SPN Mat. 80</p>	<p>AG 940161 SPN Mat. 99</p>	
	<p>AFC 30 ICP 415 RI 105</p>	<p>Age/Calv. 13/10 Avg. Wl/Calf 101/9</p>	<p>AFC 26 ICP 401</p>	<p>Age/Calv. 7/5 Avg. Wl/Calf 101/5</p>	<p>AFC 35 ICP 443</p>	<p>Age/Calv. 15/11 Avg. Wl/Calf 106/10</p>	<p>SPN Mat. 89 SPN Mat. 86</p>	<p>SPN Mat. 109 SPN Mat. 99</p>
	<p>CEC 040431 SPN Mat. 91</p>	<p>AG 000126 SPN Mat. 95</p>	<p>CEC 020328 SPN Mat. 89</p>	<p>CEC 950055 SPN Mat. 86</p>	<p>AG 950059 SPN Mat. 102</p>	<p>AG 940258 SPN Mat. 111</p>	<p>AG 960059 SPN Mat. 80</p>	<p>AG 940161 SPN Mat. 99</p>


Lot 14

<p>AG 140311 SPN Mat. 108</p> 	<p>AG 110038 SPN Mat. 95</p>	<p>JMP 080335 P SPN Mat. 116</p>	<p>AG 060106 SPN Mat. 85</p>	<p>AG 040176 SPN Mat. 92</p>	<p>JMP 030268 SPN Mat. 88</p>	<p>JMP 040101 SPN Mat. 100</p>	<p>MMJ 020150 SPN Mat. 92</p>	<p>JMP 030328 SPN Mat. 100</p>	
	<p>AFC 31 ICP 394 RI 109</p>	<p>Age/Calv. 10/8 Avg. Wl/Calf 105/8</p>	<p>AFC 26 ICP 421</p>	<p>Age/Calv. 10/8 Avg. Wl/Calf 104/7</p>	<p>AFC 24 ICP 357</p>	<p>Age/Calv. 8/7 Avg. Wl/Calf 102/7</p>	<p>SPN Mat. 80 SPN Mat. 129</p>	<p>SPN Mat. 85 SPN Mat. 92</p>	<p>SPN Mat. 88 SPN Mat. 100</p>
	<p>AG 060027 SPN Mat. 91</p>	<p>AG 060106 SPN Mat. 85</p>	<p>AG 040176 SPN Mat. 92</p>	<p>JMP 030268 SPN Mat. 88</p>	<p>JMP 040101 SPN Mat. 100</p>	<p>MMJ 020150 SPN Mat. 92</p>	<p>JMP 030328 SPN Mat. 100</p>	<p>LAR 010176 SPN Mat. 80</p>	<p>AG 020147 SPN Mat. 129</p>


Lot 15

<p>AG 170831 SPN Mat. 94</p> 	<p>AG 090751 SPN Mat. 113</p>	<p>AG 050212 SPN Mat. 79</p>	<p>AG 980250 SPN Mat. 128</p>	<p>AG 940258 SPN Mat. 111</p>	<p>AMF 970431 SPN Mat. 96</p>	<p>FAN 970043 SPN Mat. 92</p>	<p>AG 980200 SPN Mat. 101</p>	<p>AG 980238 SPN Mat. 77</p>	
	<p>AFC 26 ICP 363 RI 117</p>	<p>Age/Calv. 12/11 Avg. Wl/Calf 97/11</p>	<p>AFC 24 ICP 378</p>	<p>Age/Calv. 13/12 Avg. Wl/Calf 93/11</p>	<p>AFC 35 ICP 443</p>	<p>Age/Calv. 15/11 Avg. Wl/Calf 106/10</p>	<p>SPN Mat. 89 SPN Mat. 86</p>	<p>SPN Mat. 102 SPN Mat. 111</p>	<p>SPN Mat. 96 SPN Mat. 92</p>
	<p>CEC 040431 SPN Mat. 91</p>	<p>AG 030174 SPN Mat. 62</p>	<p>CEC 020328 SPN Mat. 89</p>	<p>CEC 950055 SPN Mat. 86</p>	<p>AG 950059 SPN Mat. 102</p>	<p>AG 940258 SPN Mat. 111</p>	<p>AMF 970431 SPN Mat. 96</p>	<p>FAN 970043 SPN Mat. 92</p>	<p>AG 980200 SPN Mat. 101</p>


Lot 16

<p>AG 160386 SPN Mat. 98</p> 	<p>AG 130115 PP(c) SPN Mat. 96</p>	<p>AG 140129 SPN Mat. 105</p>	<p>MCU 070007 P SPN Mat. 99</p>	<p>MCU 030040 P SPN Mat. 135</p>	<p>MCU 060034 P SPN Mat. 123</p>	<p>MCU 050023 SPN Mat. 78</p>	<p>HJS 030016 SPN Mat. 100</p>	<p>AG 040253 SPN Mat. 105</p>	<p>AG 060411 SPN Mat. 118</p>	<p>AG 060173 SPN Mat. 85</p>
	<p>AFC 32 ICP 367 RI 111</p>	<p>Age/Calv. 6/4 Avg. Wl/Calf 103/4</p>	<p>AFC 25 ICP 401</p>	<p>Age/Calv. 6/5 Avg. Wl/Calf 97/5</p>	<p>AFC 38 ICP 400</p>	<p>Age/Calv. 10/7 Avg. Wl/Calf 103/7</p>	<p>SPN Mat. 107 SPN Mat. 78</p>	<p>SPN Mat. 100 SPN Mat. 105</p>	<p>SPN Mat. 118 SPN Mat. 85</p>	<p>JPL 040139 P SPN Mat. 82</p>
	<p>AG 090310 SPN Mat. 113</p>	<p>AG 090181 SPN Mat. 97</p>	<p>MCU 100005 P SPN Mat. 107</p>	<p>MCU 070007 P SPN Mat. 99</p>	<p>MCU 030040 P SPN Mat. 135</p>	<p>MCU 060034 P SPN Mat. 123</p>	<p>MCU 050023 SPN Mat. 78</p>	<p>HJS 030016 SPN Mat. 100</p>	<p>AG 040253 SPN Mat. 105</p>	<p>AG 060411 SPN Mat. 118</p>

Lot 17

<p>AGB 170023 SPN Mat. 118</p> 	<p>AG 060431 SPN Mat. 86</p>	<p>AGB 110162 SPN Mat. 133</p>	<p>AG 010197 SPN Mat. 74</p>	<p>AG 960284 SPN Mat. 83</p>	<p>AG 000100 SPN Mat. 92</p>	<p>AG 030352 SPN Mat. 113</p>	<p>SPN Mat.</p>	<p>SPN Mat.</p>	
	<p>AFC * ICP 491 RI 87</p>	<p>Age/Calv. */4 Avg. Wl/Calf 102/2</p>	<p>AFC ICP</p>	<p>Age/Calv. / Avg. Wl/Calf /</p>	<p>AFC 24 ICP 427</p>	<p>Age/Calv. 9/7 Avg. Wl/Calf 99/7</p>	<p>SPN Mat. 87 SPN Mat. 108</p>	<p>SPN Mat. 87 SPN Mat. 108</p>	<p>SPN Mat. 87 SPN Mat. 108</p>
	<p>AG 010258 SPN Mat. 96</p>	<p>AG 950251 SPN Mat. 108</p>	<p>AG 980012 SPN Mat. 68</p>	<p>AG 960284 SPN Mat. 83</p>	<p>AG 000100 SPN Mat. 92</p>	<p>AG 030352 SPN Mat. 113</p>	<p>AG 980338 SPN Mat. 87</p>	<p>AG 950251 SPN Mat. 108</p>	<p>AG 980012 SPN Mat. 68</p>

Lot 18

<p>AG 160808 SPN Mat. 86</p> 	<p>CEW 110234 SPN Mat. 96</p>	<p>AG 050212 SPN Mat. 79</p>	<p>CEW 080156 SPN Mat. 107</p>	<p>CEW 040033 SPN Mat. 100</p>	<p>WAT 050081 SPN Mat. 120</p>	<p>CEW 060077 SPN Mat. 94</p>	<p>AMF 970431 SPN Mat. 96</p>	<p>FAN 970043 SPN Mat. 92</p>	<p>AG 980200 SPN Mat. 101</p>	<p>AG 980238 SPN Mat. 77</p>
	<p>AFC 26 ICP 363 RI 117</p>	<p>Age/Calv. 12/11 Avg. Wl/Calf 97/11</p>	<p>AFC 24 ICP 378</p>	<p>Age/Calv. 13/12 Avg. Wl/Calf 93/11</p>	<p>AFC 24 ICP 409</p>	<p>Age/Calv. 10/8 Avg. Wl/Calf 100/8</p>	<p>SPN Mat. 91 SPN Mat. 94</p>	<p>SPN Mat. 96 SPN Mat. 92</p>	<p>SPN Mat. 92 SPN Mat. 101</p>	<p>SPN Mat. 114 SPN Mat. 100</p>
	<p>CEW 080220 SPN Mat. 91</p>	<p>FAN 000010 SPN Mat. 103</p>	<p>AG 030174 SPN Mat. 62</p>	<p>CEW 080156 SPN Mat. 107</p>	<p>CEW 040033 SPN Mat. 100</p>	<p>WAT 050081 SPN Mat. 120</p>	<p>CEW 060077 SPN Mat. 94</p>	<p>AMF 970431 SPN Mat. 96</p>	<p>FAN 970043 SPN Mat. 92</p>	<p>AG 980200 SPN Mat. 101</p>

Lot	Verkoper	ID POENA Gen	OUERS VADER GV OV MOEDER GV OV	Toets Genomies Getoets DNS Geb. dat.	DIREKTE KALF EIENSKAPPE		DOGTER EIENSKAPPE			GROEI		DOEL	REP	MATES		V:	LHV GGV SGV	Semen Gebruikers	Gebruiker Eie Opmerkings		
					Nageslag Geboorte- gewig	Nageslag Speengewig	Gemak van Kalwing	Melk prod.	Volwas- se Gewig	Naspeen- gewig	Daaglikse Toename			Voer- omset	Hoogte & Lengte						
					Teelwaarde indekse																
					Geb Dir	Speen Dir		Geb Mat	Speen Mat	Volw Gew	Naspeen	GDT	VOV	SO	Hgt	Lgt					
					Akk	Akk		Akk	Akk	Akk	Akk	Akk	Akk	Akk	Akk	Akk	Akk				
					Gew kg	Gew kg	Ind	kg	kg	kg	365d Ind	540d Ind	Ind	Ind	(mm)	(mm)	(mm)				

BULLE

19	DE VILLIERS AG & SEUN	AG 170889	AG 110231	NS540	94	95	100	92	95	96	106	107	98	92	98	-			
			<input checked="" type="checkbox"/>			1.62	11.1	-0.19	1.6	5.0	18.7	125	-61	8.3	-5	12	-		
			AG 060445	DNS	79	64	61	62	53	60	51	40	53	54	53	-	-	-	
		SP	<input checked="" type="checkbox"/>	08.11.17	38	322	106			93	93	-	-	-	-	-			
20	DE VILLIERS AG & SEUN	AG 170153	AG 140051	NS540	115	101	121	93	73	93	103	111	108	81	92	-			
			<input checked="" type="checkbox"/>			-0.53	13.8	-1.14	2.0	-21.0	17.2	111	-69	15.8	-14	4	8.29		
			AG 140384	DNS	76	72	48	51	37	66	45	20	48	49	48	-	-	-	
		SP	<input checked="" type="checkbox"/>	18.07.17	29	285	110			105	104	-	-	-	-	-			
21	DE VILLIERS AG & SEUN	AG 170918	AG 110215	NS540	81	126	122	103	112	125	120	113	125	107	115	-			
			<input checked="" type="checkbox"/>			3.08	25.3	-1.18	4.7	23.0	39.1	192	-73	29.7	7	36	-		
			AG 110056	DNS	78	73	57	58	48	69	44	26	47	48	47	-	-	-	
		SP	<input checked="" type="checkbox"/>	12.11.17	38	242	118			114	118	-	-	-	-	45.3			
22	DE VILLIERS AG & SEUN	AG 170192	AG 130115	NS540	112	89	99	104	86	105	100	96	94	96	101	-			
			<input checked="" type="checkbox"/>			-0.30	8.4	-0.14	4.9	-6.0	25.3	95	-38	5.0	-2	15	7.59		
			AG 150110	DNS	76	71	49	53	39	68	36	22	37	38	37	-	-	-	
		SP	<input checked="" type="checkbox"/>	15.08.17	30	248	94			112	102	-	-	-	-	-			
23	DE VILLIERS AG & SEUN	AG 170936	ADV 070154	NS540	98	93	91	100	95	94	102	105	98	96	99	-			
			<input checked="" type="checkbox"/>			1.23	10.0	0.21	3.9	5.0	17.8	108	-56	8.1	-2	13	-		
			JMP 120210	DNS	78	75	57	59	44	69	51	35	53	53	53	-	-	-	
		SP	<input checked="" type="checkbox"/>	15.11.17	34	207	100			106	97	-	-	-	-	49.9			
24	DE VILLIERS AG & SEUN	AG 170235	BBP 130257	NS540	90	114	110	89	96	115	106	100	109	102	105	-			
			<input checked="" type="checkbox"/>			2.09	19.7	-0.65	0.9	5.0	32.1	126	-46	16.7	3	21	-		
			AG 130486	DNS	78	71	52	53	40	68	44	33	48	48	47	-	-	-	
		SP	<input checked="" type="checkbox"/>	20.09.17	34	218	91			112	96	-	-	-	-	45.8			

CONTOESKEMA VAN 'N STAMBOEK


Saamgestel deur die Suid-Afrikaanse Stamboek- en Veeverbeteringsvereniging

Veilingsdatum: 17/09/2020
Data soos op 20/08/2020 09:30:39

Lot 19

AG 170889
SPN Mat. 92

AG 110231
SPN Mat. 83



AG 070745
SPN Mat. 94

AG 070467
OEK 34 SPN Mat. 108
TKP 370 Oud/Kalw. 10/8
Gem. SI/Kalf 104/8

AG 020251
SPN Mat. 120
Goud

AG 060445
OEK 23 SPN Mat. 100
TKP 367 Oud/Kalw. 13/12
RI 118 Gem. SI/Kalf 99/12


AG 000408
OEK 34 SPN Mat. 106
TKP 372 Oud/Kalw. 10/8
Gem. SI/Kalf 103/7

WAT 030085
SPN Mat. 97
AG 030221
SPN Mat. 111
LAR 030312
SPN Mat. 104
AG 040150
SPN Mat. 110
AG 980338
SPN Mat. 87
AG 950206
SPN Mat. 126
AG 970304
SPN Mat. 119
AG 970356
SPN Mat. 96

Lot 20

AG 170153
SPN Mat. 93

AG 140051
SPN Mat. 88



AG 080210
SPN Mat. 102

AG 090052
OEK 31 SPN Mat. 86
TKP 425 Oud/Kalw. 9/6
Gem. SI/Kalf 97/5

AG 110317
SPN Mat. 108

AG 140384
OEK 33 SPN Mat. 103
TKP 413 Oud/Kalw. 5/3
RI 103 Gem. SI/Kalf 99/3


AG 090314
OEK 34 SPN Mat. 97
TKP 379 Oud/Kalw. 9/7
Gem. SI/Kalf 98/6

HJS 030016
SPN Mat. 100
BZ 020158
SPN Mat. 130
AG 030181
SPN Mat. 74
AG 010052
SPN Mat. 102
VV 070012
SPN Mat. 110
AG 030322
SPN Mat. 109
AG 030256
SPN Mat. 86
AG 060452
SPN Mat. 114

Lot 21

AG 170918
SPN Mat. 103

AG 110215
SPN Mat. 93



AG 110056
OEK 36 SPN Mat. 118
TKP 511 Oud/Kalw. 9/5
RI 86 Gem. SI/Kalf 111/4

AG 020297
OEK 23 SPN Mat. 89
TKP 413 Oud/Kalw. 11/9
Gem. SI/Kalf 108/9

PAD 070064
SPN Mat. 118

AG 050029
OEK 31 SPN Mat. 90
TKP 405 Oud/Kalw. 8/6
Gem. SI/Kalf 100/5

VV 070012
SPN Mat. 110
Goud
Elite-Goud


AG 020297
SPN Mat. 113
AG 930179
SPN Mat. 75
EI 040038
SPN Mat. 91
CSW 030015
SPN Mat. 108
AG 010245
SPN Mat. 70
AG 990231
SPN Mat. 128

VV 040046
SPN Mat. 114
VV 040214
SPN Mat. 112
AG 960184
AG 930179
EI 040038

Lot 22

AG 170192
SPN Mat. 104

AG 130115 PP(c)
SPN Mat. 96



AG 150110
OEK 30 SPN Mat. 104
TKP Oud/Kalw. 2/1
RI 110 Gem. SI/Kalf 94/1

MCU 070007 P
SPN Mat. 99

MCU 100005 P
OEK 38 SPN Mat. 107
TKP 400 Oud/Kalw. 10/7
Gem. SI/Kalf 103/7

AG 090751
SPN Mat. 113


AG 100390
OEK 37 SPN Mat. 102
TKP 411 Oud/Kalw. 6/4
Gem. SI/Kalf 106/3

JPL 040139 P
SPN Mat. 82
MCU 030040 P
SPN Mat. 135
MCU 060034 P
SPN Mat. 123
MCU 050023
SPN Mat. 78
CEF 040431
SPN Mat. 91
AG 980250
SPN Mat. 128
HJB 050052
SPN Mat. 112
AG 070390
SPN Mat. 74

Lot 23

AG 170936
SPN Mat. 100

ADV 070154
SPN Mat. 105



JMP 120210
OEK 36 SPN Mat. 97
TKP 445 Oud/Kalw. 7/4
RI 95 Gem. SI/Kalf 102/4

LAR 030398
SPN Mat. 70

ADV 030008
OEK 31 SPN Mat. 122
TKP 377 Oud/Kalw. 16/13
Gem. SI/Kalf 107/11

JMP 080002
SPN Mat. 103
Silver


JMP 080430
OEK 29 SPN Mat. 81
TKP 530 Oud/Kalw. 5/3
Gem. SI/Kalf 99/3

LAR 010297
SPN Mat. 72
LAR 990031
SPN Mat. 85
AG 980338
SPN Mat. 87
AG 990103
SPN Mat. 103
AG 020338
SPN Mat. 111
JMP 010184
SPN Mat. 101
JMP 050311
SPN Mat. 80
JMP 060350
SPN Mat. 94

Lot 24

AG 170235
SPN Mat. 89

BBP 130257
SPN Mat. 111



AG 130486
OEK 33 SPN Mat. 62
TKP 432 Oud/Kalw. 6/4
RI 100 Gem. SI/Kalf 97/3

WBB 060002
SPN Mat. 100
Goud

CRV 110122
OEK 28 SPN Mat. 126
TKP 414 Oud/Kalw. 9/6
Gem. SI/Kalf 104/5

ADV 100068
SPN Mat. 42

AG 080172
OEK 25 SPN Mat. 95
TKP 372 Oud/Kalw. 5/4
Gem. SI/Kalf 112/4

LAR 010176
SPN Mat. 80
AG 020103
SPN Mat. 107
WBB 060002
SPN Mat. 100
HJB 990288
SPN Mat. 126
SYF 070036
SPN Mat. 73
ADV 070142
SPN Mat. 50
AG 020251
SPN Mat. 120
AG 060148
SPN Mat. 59

Lot	Seller	ID POLLED Gen	PARENTS		Test	Breeding Value Indexes											Semen Users	Breeder Own Remarks			
			SIRE GV PV	DAM GV PV		Genomic Tested DNA	Birth Dir Acc	Wean Dir Acc	Birth Mat Acc	Wean Mat Acc	Mat Wgt Acc	Post Wean Acc	ADG Acc	FCR Acc	SC Acc	Hgt Acc			Lgt Acc	LHR	BWR
					Birth Date	Wgt kg	Wgt kg	Ind	kg	kg	kg	365d Ind	540d Ind	Ind	Ind	(mm)	(mm)	(mm)			

BULLS


25	DE VILLIERS AG & SEUN	AG 170949 SP	AG 130080 <input checked="" type="checkbox"/>	PW540	108	105	111	100	94	98	101	100	104	97	103	-		
			AG 080764 <input checked="" type="checkbox"/>	DNA	0.13 79	15.8 75	-0.71 53	3.8 55	3.0 40	20.4 68	103 39	-46 22	12.5 42	-1 42	19 41	-		
				17.11.17	34	221	108				91	94	-	-	-	-	37.6	
26	DE VILLIERS AG & SEUN	AG 170250 SP	JL 100198 <input checked="" type="checkbox"/>	PW540	93	93	113	105	85	99	101	97	103	99	99	-		
			AG 130310 <input checked="" type="checkbox"/>	DNA	1.79 76	10.3 72	-0.76 54	5.3 57	-7.0 48	21.3 69	100 50	-40 24	11.7 53	0 53	13 52	-		
				23.09.17	36	227	95				106	95	-	-	-	-	46.7	
27	DE VILLIERS AG & SEUN	AG 171017 SP	AG 120225 <input checked="" type="checkbox"/>	PW540	104	102	109	97	104	108	101	102	108	93	98	-		
			AG 140361 <input checked="" type="checkbox"/>	DNA	0.56 78	14.1 72	-0.60 52	2.9 54	14.0 41	27.4 68	103 41	-50 19	15.7 43	-4 44	11 43	-		
				07.12.17	30	207	97				100	108	-	-	-	-	-	
28	DE VILLIERS AG & SEUN	AG 170254 SP	BBP 130257 <input checked="" type="checkbox"/>	PW540	93	109	106	104	101	102	104	102	107	106	104	-		
			AG 090241 <input checked="" type="checkbox"/>	DNA	1.75 77	17.6 72	-0.45 54	4.9 56	11.0 40	23.2 54	117 45	-51 32	15.4 49	7 50	20 48	-		
				24.09.17	30	210	96				91	93	-	-	-	-	35.2	
29	DE VILLIERS AG & SEUN	AG 171020 SP	AG 110317 <input checked="" type="checkbox"/>	PW540	110	89	119	109	64	87	89	97	109	86	90	-		
			AG 110021 <input checked="" type="checkbox"/>	DNA	-0.05 76	8.1 72	-1.05 55	6.5 58	-31.0 41	12.8 69	44 44	-39 25	17.2 47	-10 48	1 47	-		
				07.12.17	36	198	94				104	103	-	-	-	-	35.4	
30	DE VILLIERS AG & SEUN	AG 170350 SP	AG 130080 <input checked="" type="checkbox"/>	PW540	120	89	102	99	93	88	96	103	94	85	93	-		
			AG 140003 <input checked="" type="checkbox"/>	DNA	-1.13 77	8.4 72	-0.30 50	3.7 53	2.0 36	13.4 68	80 38	-53 21	5.1 40	-11 41	5 40	-		
				04.10.17	26	245	104				93	95	-	-	-	-	-	

1.02	13.4	-0.19	3.9	10	21.9	97	-46	9.6	2	14
------	------	-------	-----	----	------	----	-----	-----	---	----

Lot 25

AG 170949
SPN Mat. 100

AG 130080
SPN Mat. 105



Elite-Gold

AG 080764

AFC 28 SPN Mat. 100
 ICP 393 Age/Calv. 11/9
 RI 111 Avg. WI/Calf 101/9

AFC 26 SPN Mat. 120
 ICP 476 Age/Calv. 6/4
 Avg. WI/Calf 99/3

AG 080194
SPN Mat. 120

JJ 040115
SPN Mat. 124

AG 050321
SPN Mat. 94
 Age/Calv. 5/4
 Avg. WI/Calf 108/4

AG 100163
SPN Mat. 90

AG 080194
SPN Mat. 120

JJ 040115
SPN Mat. 124

AG 050321
SPN Mat. 94
 Age/Calv. 5/4
 Avg. WI/Calf 108/4

AG 060027
SPN Mat. 91

AG 070467
SPN Mat. 108

AG 020251
SPN Mat. 120

AG 030408
SPN Mat. 125

MMJ 000319
SPN Mat. 113

JJ 000072
SPN Mat. 135


AG 990104
SPN Mat. 60

HTC 990039
SPN Mat. 102

Lot 26

AG 170250
SPN Mat. 105

JL 100198
SPN Mat. 119



AG 130310
SPN Mat. 87
 Age/Calv. 4/2
 Avg. WI/Calf 105/2

AFC 34 SPN Mat. 87
 ICP 406 Age/Calv. 4/2
 RI 99 Avg. WI/Calf 105/2

AFC 30 SPN Mat. 145
 ICP 473 Age/Calv. 18/13
 Avg. WI/Calf 104/12

AG 040310
SPN Mat. 117

EI 940254
SPN Mat. 72

AG 080407
SPN Mat. 72

AG 090087
SPN Mat. 88
 Age/Calv. 11/9
 Avg. WI/Calf 101/10

AFC 31 SPN Mat. 88
 ICP 371 Age/Calv. 11/9
 Avg. WI/Calf 101/10

AG 020251
SPN Mat. 120

AG 930063
SPN Mat. 98

CX N 0029
SPN Mat. 105

EI J 0262
SPN Mat. 117

AG 030029
SPN Mat. 67

AG 030347
SPN Mat. 85


AG 050085
SPN Mat. 84

HJB 030219
SPN Mat. 74

Lot 27

AG 171017
SPN Mat. 97

AG 120225
SPN Mat. 112



AG 140361
SPN Mat. 80
 Age/Calv. 5/3
 Avg. WI/Calf 101/2

AFC 37 SPN Mat. 80
 ICP 348 Age/Calv. 5/3
 RI 102 Avg. WI/Calf 101/2

AFC 26 SPN Mat. 99
 ICP 424 Age/Calv. 15/12
 Avg. WI/Calf 102/11

AG 110215
SPN Mat. 93

AG 050291
SPN Mat. 63
 Age/Calv. 14/12
 Avg. WI/Calf 95/10

AFC 23 SPN Mat. 63
 ICP 402 Age/Calv. 14/12
 Avg. WI/Calf 95/10

LAR 020101
SPN Mat. 94

LAR 980130
SPN Mat. 113

AG 000100
SPN Mat. 92

AG 020201
SPN Mat. 67

VV 070012
SPN Mat. 110

AG 020297
SPN Mat. 89


AEJ 010189
SPN Mat. 62

AG 980153
SPN Mat. 101

Lot 28

AG 170254
SPN Mat. 104

BBP 130257
SPN Mat. 111



AG 090241
SPN Mat. 97
 Age/Calv. 9/7
 Avg. WI/Calf 99/7

AFC 25 SPN Mat. 97
 ICP 426 Age/Calv. 9/7
 RI 108 Avg. WI/Calf 99/7

V

WBB 060002
SPN Mat. 100
 Gold

CRV 110122
SPN Mat. 126
 Age/Calv. 9/6
 Avg. WI/Calf 104/5

MMJ 030227
SPN Mat. 106

Elite-Gold

AG 070064
SPN Mat. 107
 Age/Calv. 13/11
 Avg. WI/Calf 102/10

AFC 31 SPN Mat. 107
 ICP 378 Age/Calv. 13/11
 Avg. WI/Calf 102/10

LAR 010176
SPN Mat. 80

AG 020103
SPN Mat. 107

WBB 060002
SPN Mat. 100

HJB 990288
SPN Mat. 126

MMJ 000319
SPN Mat. 113

MMJ 920211
SPN Mat. 115


AG 020251
SPN Mat. 120

AG 010172
SPN Mat. 94

Lot 29

AG 171020
SPN Mat. 109

AG 110317
SPN Mat. 108



AG 110021
SPN Mat. 107
 Age/Calv. 7/4
 Avg. WI/Calf 101/3

AFC 31 SPN Mat. 107
 ICP 516 Age/Calv. 7/4
 RI 92 Avg. WI/Calf 101/3

V

VV 070012
SPN Mat. 110
 Gold

AG 030322
SPN Mat. 109
 Age/Calv. 9/7
 Avg. WI/Calf 103/7

PAD 070093
SPN Mat. 100

AG 060435
SPN Mat. 103
 Age/Calv. 8/5
 Avg. WI/Calf 99/4

AFC 34 SPN Mat. 103
 ICP 475 Age/Calv. 8/5
 Avg. WI/Calf 99/4

VV 040046
SPN Mat. 114

VV 040214
SPN Mat. 112

RCO 000091
SPN Mat. 69

AG 980145
SPN Mat. 131

CSW 030109
SPN Mat. 95

AG 050042
SPN Mat. 101


AG 030119
SPN Mat. 108

AG 040141
SPN Mat. 99

Lot 30

AG 170350
SPN Mat. 99

AG 130080
SPN Mat. 105



AG 140003
SPN Mat. 99
 Age/Calv. 6/4
 Avg. WI/Calf 100/4

AFC 32 SPN Mat. 99
 ICP 381 Age/Calv. 6/4
 RI 109 Avg. WI/Calf 100/4

AG 100163
SPN Mat. 90

AG 080194
SPN Mat. 120
 Age/Calv. 6/4
 Avg. WI/Calf 99/3

TOR 050216
SPN Mat. 111

AG 100116
SPN Mat. 87
 Age/Calv. 10/8
 Avg. WI/Calf 100/9

AFC 26 SPN Mat. 120
 ICP 476 Age/Calv. 6/4
 Avg. WI/Calf 99/3

AFC 30 SPN Mat. 87
 ICP 370 Age/Calv. 10/8
 Avg. WI/Calf 100/9

AG 060027
SPN Mat. 91

AG 070467
SPN Mat. 108

AG 020251
SPN Mat. 120

AG 030408
SPN Mat. 125

AG 010051
SPN Mat. 107

RAI 020013
SPN Mat. 109

CEF 040431
SPN Mat. 91

AG 980238
SPN Mat. 77

Lot	Verkoper	ID POENA Gen	OUERS VADER GV OV MOEDER GV OV	Toets Genomies Getoets DNS Geb. dat.	DIREKTE KALF EIENSKAPPE					DOGTER EIENSKAPPE			GROEI		DOEL	REP	MATES	V:	Semen Gebruikers	Gebruiker Eie Opmerkings
					Nageslag Geboorte- gewig	Nageslag Speengewig	Gemak van Kalwing	Melk prod.	Volwas- se Gewig	Naspeen- gewig	Daaglikse Toename	Voer- omset	Hoogte & Lengte							
Teelwaarde indekse																				
					Geb Dir	Speen Dir		Geb Mat	Speen Mat	Volw Gew	Naspeen	GDT	VOV	SO	Hgt	Lgt	LHV			
					Akk	Akk		Akk	Akk	Akk	Akk	Akk	Akk	Akk	Akk	Akk	GGV			
					Gew kg	Gew kg	Ind	kg	kg	kg	365d Ind	540d Ind	Ind	Ind	(mm)	(mm)	(mm)	SGV		


BULLE

31	NONNA BONSMARAS	AGB 170148 B	AG 130153 <input checked="" type="checkbox"/>	NS540	119	79	100	100	-	78	-	-	-	-	-	-	-	-				
			AGB 070004	DNS	-0.95 67	3.7 59	-0.18 31	4.0 34	-	6.2 54	-	-	-	-	-	-	-	-	-			
				13.10.17	27	217	102				100	101	-	-	-	-	-	-	-	-		
32	DE VILLIERS AG & SEUN	AG 170426 SP	AG 110231 <input checked="" type="checkbox"/>	NS540	77	109	109	93	109	113	115	108	101	101	108	-	-	-				
			AG 100055 <input checked="" type="checkbox"/>	DNS	3.50 79	17.6 74	-0.58 59	1.8 61	19.0 51	31.0 70	166 50	-63 36	10.5 53	3 54	25 53	-	-	-	-	-		
				12.10.17	42	255	106				113	105	-	-	-	-	-	-	-	42.9		
33	DE VILLIERS AG & SEUN	AG 171056 SP	AG 080409 <input checked="" type="checkbox"/>	NS540	104	93	110	97	98	100	95	99	101	94	97	-	-	-				
			AG 110112 <input checked="" type="checkbox"/>	DNS	0.63 79	10.2 75	-0.66 61	3.0 62	7.0 48	21.6 71	74 53	-44 30	10.3 55	-4 56	10 55	-	-	-	-	-		
				23.12.17	36	205	98				110	115	-	-	-	-	-	-	-	37.5		
34	DE VILLIERS AG & SEUN	AG 170724 SP	GJN 150096 <input checked="" type="checkbox"/>	NS540	80	123	110	78	111	123	116	111	106	104	110	-	-	-				
			AG 130429 <input checked="" type="checkbox"/>	DNS	3.15 75	23.8 70	-0.65 47	-2.3 50	22.0 39	38.0 65	174 42	-69 24	14.6 46	5 47	28 45	-	-	-	-	-		
				20.10.17	37	262	112				115	109	-	-	-	-	-	-	-	51.2		
35	DE VILLIERS AG & SEUN	AG 170984 SP	AG 100438 <input checked="" type="checkbox"/>	NS540	95	90	122	99	80	91	93	95	110	90	95	-	-	-				
			AG 080498 <input checked="" type="checkbox"/>	DNS	1.58 79	8.8 75	-1.19 56	3.7 58	-13.0 43	15.5 69	65 47	-36 26	17.6 50	-6 50	7 49	-	-	-	-	-		
				26.11.17	38	203	96				94	101	-	-	-	-	-	-	-	46.2		
36	DE VILLIERS AG & SEUN	AG 170854 SP	AG 110231 <input checked="" type="checkbox"/>	NS540	98	93	106	93	118	95	112	107	104	101	106	-	-	-				
			AG 110430 <input checked="" type="checkbox"/>	DNS	1.27 77	10.1 73	-0.47 59	1.8 61	30.0 53	18.1 69	154 49	-61 35	13.3 52	3 53	22 52	-	-	-	-	-		
				01.11.17	34	231	98				97	92	-	-	-	-	-	-	-	43.6		

Lot 31

AGB 170148
SPN Mat. 100

AG 130153
SPN Mat. 106



AGB 070004

OEK * SPN Mat. 103
TKP 371 Oud/Kalw. */4
RI 115 Gem. SI/Kalf 103/3

AG 080204
SPN Mat. 124

AG 100294
OEK 35 SPN Mat. 88
TKP 372 Oud/Kalw. 8/6
Gem. SI/Kalf 102/6

SPN Mat.

AG 020251
SPN Mat. 120
AG 010239
SPN Mat. 91
ZAK 050093
SPN Mat. 85
AG 050318
SPN Mat. 80

SPN Mat.

SPN Mat.

SPN Mat.


SPN Mat.

SPN Mat.

Lot 32

AG 170426
SPN Mat. 93

AG 110231
SPN Mat. 83



AG 100055

OEK 32 SPN Mat. 101
TKP 430 Oud/Kalw. 10/7
RI 101 Gem. SI/Kalf 105/6

AG 070745
SPN Mat. 94

AG 070467
OEK 34 SPN Mat. 108
TKP 370 Oud/Kalw. 10/8
Gem. SI/Kalf 104/8

AG 070176
SPN Mat. 96


AG 980309
OEK 24 SPN Mat. 80
TKP 371 Oud/Kalw. 14/13
Gem. SI/Kalf 95/12

WAT 030085
SPN Mat. 97
AG 030221
SPN Mat. 111
LAR 030312
SPN Mat. 104
AG 040150
SPN Mat. 110
AG 030029
SPN Mat. 67
AG 020250
SPN Mat. 115
AG 950059
SPN Mat. 102
MBZ 940067
SPN Mat. 85

Lot 33

AG 171056
SPN Mat. 97

AG 080409
SPN Mat. 72



AG 110112

OEK 31 SPN Mat. 116
TKP 377 Oud/Kalw. 9/7
RI 111 Gem. SI/Kalf 102/7

LAR 030398
SPN Mat. 70

AG 020165
OEK 30 SPN Mat. 110
TKP 422 Oud/Kalw. 15/12
Gem. SI/Kalf 101/12

AG 070413
SPN Mat. 102


AG 010111
OEK 27 SPN Mat. 130
TKP 444 Oud/Kalw. 10/7
Gem. SI/Kalf 113/7

LAR 010297
SPN Mat. 72
LAR 990031
SPN Mat. 85
AG 960059
SPN Mat. 109
AG 930026
SPN Mat. 96
AG 030205
SPN Mat. 84
AG 020165
SPN Mat. 110
EI 940339
SPN Mat. 116
AG 980250
SPN Mat. 128

Lot 34

AG 170724
SPN Mat. 78

GJN 150096
SPN Mat. 83



AG 130429

OEK 36 SPN Mat. 76
TKP 367 Oud/Kalw. 6/4
RI 106 Gem. SI/Kalf 98/4

AG 110231
SPN Mat. 83

GJN 110379
OEK 24 SPN Mat. 84
TKP 574 Oud/Kalw. 4/2
Gem. SI/Kalf 91/2

AG 070742
SPN Mat. 75


AG 070315
OEK 23 SPN Mat. 77
TKP 377 Oud/Kalw. 11/10
Gem. SI/Kalf 94/10

AG 070745
SPN Mat. 94
AG 070467
SPN Mat. 108
AG 070480
SPN Mat. 110
GJN 060033
SPN Mat. 84
WAT 030085
SPN Mat. 97
AG 030216
SPN Mat. 103
AG 030205
SPN Mat. 84
AG 030228
SPN Mat. 89

Lot 35

AG 170984
SPN Mat. 99

AG 100438
SPN Mat. 108



AG 080498

OEK 24 SPN Mat. 89
TKP 482 Oud/Kalw. 11/7
RI 101 Gem. SI/Kalf 99/7

CSW 010014
SPN Mat. 94

AG 990115
OEK 30 SPN Mat. 119
TKP 403 Oud/Kalw. 14/11
Gem. SI/Kalf 102/11

AG 020127
SPN Mat. 77


AG 030206
OEK 23 SPN Mat. 99
TKP 378 Oud/Kalw. 5/4
Gem. SI/Kalf 103/4

BG 960125
SPN Mat. 101
CSW 980048
SPN Mat. 112
AG 920046
SPN Mat. 123
AG 900105
SPN Mat. 103
AG 000264
SPN Mat. 77
AG 990119
SPN Mat. 85
AG 000264
SPN Mat. 77
HTC 010017
SPN Mat. 117

Lot 36

AG 170854
SPN Mat. 93

AG 110231
SPN Mat. 83



AG 110430

OEK 36 SPN Mat. 103
TKP 367 Oud/Kalw. 8/6
RI 107 Gem. SI/Kalf 102/6

AG 070745
SPN Mat. 94

AG 070467
OEK 34 SPN Mat. 108
TKP 370 Oud/Kalw. 10/8
Gem. SI/Kalf 104/8

AG 070138
SPN Mat. 107

AG 050149
OEK 24 SPN Mat. 89
TKP 376 Oud/Kalw. 6/5
Gem. SI/Kalf 93/5

WAT 030085
SPN Mat. 97
AG 030221
SPN Mat. 111
LAR 030312
SPN Mat. 104
AG 040150
SPN Mat. 110
AG 010258
SPN Mat. 96
AG 980250
SPN Mat. 128
AG 000100
SPN Mat. 92
AG 030120
SPN Mat. 124

Lot	Seller	ID POLLED Gen	PARENTS		Test	Breeding Value Indexes											Semen Users	Breeder Own Remarks		
			SIRE GV PV	DAM GV PV		Genomic Tested	Birth Dir	Wean Dir	Birth Mat	Wean Mat	Mat Wgt	Post Wean	ADG	FCR	SC	Hgt			Lgt	LHR
			DNA	Acc	Acc	Acc	Acc	Acc	Acc	Acc	Acc	Acc	Acc	Acc	Acc	Acc			Acc	BWR
					Birth Date	Wgt kg	Wgt kg	Ind	kg	kg	kg	365d Ind	540d Ind	Ind	Ind	(mm)	(mm)	(mm)	WWR	

BULLS


37	DE VILLIERS AG & SEUN	RHJ 170024	AG 140146	PW540	108	92	115	107	89	90	104	107	105	93	99	-	
		SP	<input checked="" type="checkbox"/>	DNA	0.13	9.7	-0.86	5.9	-3.0	14.5	114	-61	13.6	-5	13	-	
			RHJ 150012	DNA	77	70	47	47	33	67	35	23	37	37	37	-	
			<input checked="" type="checkbox"/>	14.10.17	32	232	110			96	99	-	-	-	-	-	
38	DE VILLIERS AG & SEUN	AG 170886	AG 130334	PW540	94	102	101	90	94	99	108	107	93	96	102	-	
		SP	<input checked="" type="checkbox"/>	DNA	1.65	14.2	-0.24	0.9	3.0	20.9	133	-61	4.4	-2	18	-	
			AG 130001	DNA	77	71	52	53	40	67	38	23	40	41	40	-	
			<input checked="" type="checkbox"/>	08.11.17	36	234	98			108	90	-	-	-	-	50.4	
39	DE VILLIERS AG & SEUN	AG 170117	AG 080409	PW540	83	103	100	78	105	101	91	98	92	80	87	-	
		SP	<input checked="" type="checkbox"/>	DNA	2.81	14.9	-0.17	-2.5	16.0	22.2	56	-41	3.4	-15	-4	8.08	
			AG 110324	DNA	79	63	60	61	49	59	53	34	55	56	55	-	
			<input checked="" type="checkbox"/>	02.06.17	42	256	100			92	92	-	-	-	-	-	
40	DE VILLIERS AG & SEUN	AG 171010	BBP 130257	PW540	92	119	117	99	99	106	104	96	112	111	109	-	
		SP	<input checked="" type="checkbox"/>	DNA	1.82	22.1	-0.97	3.6	9.0	25.8	114	-39	19.0	11	27	-	
			HJB 050032	DNA	79	75	57	59	41	69	46	32	50	51	49	-	
			<input checked="" type="checkbox"/>	06.12.17	34	222	109			94	108	-	-	-	-	-	
41	DE VILLIERS AG & SEUN	AG 170279	AG 120720	PW540	104	97	115	101	92	102	101	104	98	84	93	-	
		SP	<input checked="" type="checkbox"/>	DNA	0.58	11.8	-0.86	4.0	1.0	23.5	103	-55	8.1	-12	4	-	
			AG 110211	DNA	78	74	56	58	45	68	45	26	47	48	47	-	
			<input checked="" type="checkbox"/>	27.09.17	34	222	93			102	101	-	-	-	-	40.5	
42	DE VILLIERS AG & SEUN	GZV 160111	AG 120556	GT	105	98	101	89	107	94	97	97	95	79	92	1.23	
		SP	<input checked="" type="checkbox"/>	DNA	0.46	12.4	-0.22	0.8	18.0	17.3	83	-40	5.7	-16	4	-	
			GZV 130075	DNA	86	76	51	54	39	62	69	39	77	78	75	-	
			<input checked="" type="checkbox"/>	16.11.16	35	264	96			-		113	-	350	1090	1340	62.4

1.02	13.4	-0.19	3.9	10	21.9	97	-46	9.6	2	14
------	------	-------	-----	----	------	----	-----	-----	---	----

Lot 37

RHJ 170024
SPN Mat. 107

AG 140146
SPN Mat. 101



RHJ 150012

AFC 32 SPN Mat. 116
ICP 389 Age/Calv. 5/3
RI 107 Avg. WI/Calf 108/3

AG 090751
SPN Mat. 113

AG 100085
AFC 32 SPN Mat. 97
ICP 477 Age/Calv. 4/2
Avg. WI/Calf 108/2

AG 120070
SPN Mat. 111


AG 110112
AFC 31 SPN Mat. 116
ICP 377 Age/Calv. 9/7
Avg. WI/Calf 102/7

CEF 040431
SPN Mat. 91
AG 980250
SPN Mat. 128
AG 060401
SPN Mat. 81
AG 050084
SPN Mat. 97
AG 070742
SPN Mat. 75
AG 080719
SPN Mat. 99
AG 070413
SPN Mat. 102
AG 010111
SPN Mat. 130

Lot 38

AG 170886
SPN Mat. 90

AG 130334
SPN Mat. 85



AG 130001
AFC 34 SPN Mat. 93
ICP 366 Age/Calv. 7/5
RI 109 Avg. WI/Calf 97/5

AG 110231
SPN Mat. 83

AG 110065
AFC 30 SPN Mat. 101
ICP 369 Age/Calv. 9/7
Avg. WI/Calf 103/7

TOR 050216
SPN Mat. 111


AG 070729
AFC 22 SPN Mat. 89
ICP 515 Age/Calv. 10/7
Avg. WI/Calf 100/6

AG 070745
SPN Mat. 94
AG 070467
SPN Mat. 108
AG 060027
SPN Mat. 91
AG 990135
SPN Mat. 117
AG 010051
SPN Mat. 107
RAI 020013
SPN Mat. 109
AG 030205
SPN Mat. 84
BZ 020102
SPN Mat. 99

Lot 39

AG 170117
SPN Mat. 78

AG 080409
SPN Mat. 72



AG 110324
AFC 24 SPN Mat. 80
ICP 450 Age/Calv. 7/5
RI 108 Avg. WI/Calf 98/5

LAR 030398
SPN Mat. 70

AG 020165
AFC 30 SPN Mat. 110
ICP 422 Age/Calv. 15/12
Avg. WI/Calf 101/12

AG 060151
SPN Mat. 98


AG 050291
AFC 23 SPN Mat. 63
ICP 402 Age/Calv. 14/12
Avg. WI/Calf 95/10

LAR 010297
SPN Mat. 72
LAR 990031
SPN Mat. 85
AG 960059
SPN Mat. 109
AG 930026
SPN Mat. 96
AG 020251
SPN Mat. 120
AG 990287
SPN Mat. 88
AEJ 010189
SPN Mat. 62
AG 980153
SPN Mat. 101

Lot 40

AG 171010
SPN Mat. 99

BBP 130257
SPN Mat. 111



HJB 050032
AFC 30 SPN Mat. 92
ICP 365 Age/Calv. 14/12
RI 115 Avg. WI/Calf 104/12

WBB 060002
SPN Mat. 100
Gold

CRV 110122
AFC 28 SPN Mat. 126
ICP 414 Age/Calv. 9/6
Avg. WI/Calf 104/5

LA 970205
SPN Mat. 93


HJB 000383
AFC 33 SPN Mat. 109
ICP 459 Age/Calv. 13/9
Avg. WI/Calf 104/9

LAR 010176
SPN Mat. 80
AG 020103
SPN Mat. 107
WBB 060002
SPN Mat. 100
HJB 990288
SPN Mat. 126
GB 920056
SPN Mat. 111
LA K 0016
SPN Mat. 95
AG 920153
SPN Mat. 92
LA 980003
SPN Mat. 89

Lot 41

AG 170279
SPN Mat. 101

AG 120720
SPN Mat. 109



AG 110211
AFC 23 SPN Mat. 92
ICP 371 Age/Calv. 8/7
RI 119 Avg. WI/Calf 101/7

LAR 060034
SPN Mat. 113

AG 080845
AFC 36 SPN Mat. 106
ICP 457 Age/Calv. 7/4
Avg. WI/Calf 107/2

AG 060401
SPN Mat. 81


AG 050168
AFC 24 SPN Mat. 79
ICP 427 Age/Calv. 9/7
Avg. WI/Calf 91/7

LAR 020101
SPN Mat. 94
LAR 980130
SPN Mat. 113
MMJ 030052
SPN Mat. 117
AG 990322
SPN Mat. 93
AG 010245
SPN Mat. 70
AG 960278
SPN Mat. 97
AG 000100
SPN Mat. 92
AG 030284
SPN Mat. 88

Lot 42

GZV 160111
SPN Mat. 89

AG 120556
SPN Mat. 78



GZV 130075
AFC 25 SPN Mat. 102
ICP 377 Age/Calv. 6/5
RI 118 Avg. WI/Calf 105/4

AG 080409
SPN Mat. 72

AG 090586
AFC 35 SPN Mat. 96
ICP 370 Age/Calv. 6/4
Avg. WI/Calf 98/4

GZV 110171
SPN Mat. 91

GZV 110160
AFC 25 SPN Mat. 98
ICP 461 Age/Calv. 7/5
Avg. WI/Calf 103/5


LAR 030398
SPN Mat. 70
AG 020165
SPN Mat. 110
AG 050263
SPN Mat. 115
AG 050581
SPN Mat. 102
PHR 060062
SPN Mat. 80
GZV 020001
SPN Mat. 106
VV 050036
SPN Mat. 88
GZV 050137
SPN Mat. 96

Lot	Verkoper	ID POENA Gen	OUERS VADER GV OV MOEDER GV OV	Toets Genomies Getoets DNS Geb. dat.	DIREKTE KALF EIENSKAPPE					DOGTER EIENSKAPPE			GROEI		DOEL	REP	MATES	V:	Semen Gebruikers	Gebruiker Eie Opmerkings
					Nageslag Geboorte- gewig	Nageslag Speengewig	Gemak van Kalwing	Melk prod.	Volwas- se Gewig	Naspeen- gewig	Daaglikse Toename	Voer- omset	Hoogte & Lengte							
Teelwaarde indekse																				
Geb Dir	Speen Dir	Geb Mat	Speen Mat	Volw Gew	Naspeen	GDT	VOV	SO	Hgt	Lgt	LHV	GGV	SGV							
Akk	Akk	Akk	Akk	Akk	Akk	Akk	Akk	Akk	Akk	Akk	Akk	Akk	Akk							
Gew kg	Gew kg	Ind	kg	kg	kg	365d Ind	540d Ind	Ind	Ind	(mm)	(mm)	(mm)								


BULLE

43	DE VILLIERS AG & SEUN	AG 170382 SP	AG 140051 <input checked="" type="checkbox"/>	NS540	124	93	116	96	82	89	101	107	100	85	93	-		
			AG 150279 <input checked="" type="checkbox"/>	DNS	-1.51 76	10.0 71	-0.91 47	2.8 46	-11.0 31	13.9 66	102 43	-61 15	10.1 46	-11 47	5 46	-		
				08.10.17	28	259	110		90	102	-	-						
44	DE VILLIERS AG & SEUN	AG 160314 SP	AG 120225 <input checked="" type="checkbox"/>	NS540	142	88	99	105	102	85	110	105	113	100	109	-		
			AG 110122 <input checked="" type="checkbox"/>	DNS	-3.46 91	7.8 80	-0.14 55	5.4 57	12.0 44	11.4 70	143 42	-57 19	20.2 45	1 45	27 44	5.64		
				08.10.16	31	289	118		97	98	-	-						
45	DE VILLIERS AG & SEUN	AG 170982 SP	AG 130115 <input checked="" type="checkbox"/>	NS540	99	100	100	108	97	107	108	98	103	103	110	-		
			PP(c) <input checked="" type="checkbox"/>	DNS	1.14 76	13.2 72	-0.20 51	6.2 55	7.0 40	26.7 68	136 38	-42 23	12.1 40	4 40	28 39	-		
			AG 150700 <input checked="" type="checkbox"/>	25.11.17	33	229	107		99	99	-	-						
46	DE VILLIERS AG & SEUN	AG 170923 SP	AG 120225 <input checked="" type="checkbox"/>	NS540	109	95	101	108	96	97	96	97	109	93	97	-		
			AG 140357 <input checked="" type="checkbox"/>	DNS	0.02 76	11.0 72	-0.23 52	6.0 54	5.0 40	19.5 68	76 41	-39 19	16.7 44	-5 44	11 43	-		
				14.11.17	31	217	102		96	102	-	-						
47	DE VILLIERS AG & SEUN	AG 170150 SP	AG 130115 <input checked="" type="checkbox"/>	NS540	115	104	105	102	95	113	113	103	109	104	111	-		
			PP(c) <input checked="" type="checkbox"/>	DNS	-0.58 76	15.4 72	-0.42 51	4.6 54	4.0 41	30.9 68	156 35	-52 20	16.9 37	5 37	30 37	7		
			AG 140243 <input checked="" type="checkbox"/>	17.07.17	28	266	102		110	110	-	-						
48	DE VILLIERS AG & SEUN	AG 170997 SP	AG 080409 <input checked="" type="checkbox"/>	NS540	109	99	123	78	100	92	100	99	101	97	99	-		
			AG 110233 <input checked="" type="checkbox"/>	DNS	0.06 79	12.7 75	-1.22 60	-2.4 63	10.0 48	16.2 70	98 51	-45 30	10.8 53	-1 54	13 53	-		
				28.11.17	34	209	101		92	98	-	-						


Lot 43

<p>AG 170382 SPN Mat. 96</p>	 <p>AG 140051 SPN Mat. 88</p>	<p>AG 080210 SPN Mat. 102</p> <p>AG 090052 OEK 31 SPN Mat. 86 TKP 425 Oud/Kalw. 9/6 Gem. SI/Kalf 97/5</p> <p>AG 120225 SPN Mat. 112</p> <p>AG 120140 OEK 34 SPN Mat. 103 TKP 442 Oud/Kalw. 4/2 Gem. SI/Kalf 94/2</p>	<p>HJS 030016 SPN Mat. 100 BZ 020158 SPN Mat. 130 AG 030181 SPN Mat. 74 AG 010052 SPN Mat. 102 LAR 060034 SPN Mat. 113 AG 040141 SPN Mat. 99 PAD 070093 SPN Mat. 100 AG 090394 SPN Mat. 118</p>
---	---	--	---


Lot 44

<p>AG 160314 SPN Mat. 105</p>	 <p>AG 120225 SPN Mat. 112</p> <p>Elite-Brons</p>	<p>LAR 060034 SPN Mat. 113</p> <p>AG 040141 OEK 26 SPN Mat. 99 TKP 424 Oud/Kalw. 15/12 Gem. SI/Kalf 102/11</p> <p>AG 060027 SPN Mat. 91</p> <p>VLT 020003 OEK 31 SPN Mat. 88 TKP 377 Oud/Kalw. 12/10 Gem. SI/Kalf 97/10</p>	<p>LAR 020101 SPN Mat. 94 LAR 980130 SPN Mat. 113 AG 000100 SPN Mat. 92 AG 020201 SPN Mat. 67 LAR 010176 SPN Mat. 80 AG 020147 SPN Mat. 129 AG 950306 SPN Mat. 62 AG K 0109 SPN Mat. 77</p>
--	---	---	---


Lot 45

<p>AG 170982 SPN Mat. 108</p>	 <p>AG 130115 PP(c) SPN Mat. 96</p>	<p>MCU 070007 P SPN Mat. 99</p> <p>MCU 100005 P OEK 38 SPN Mat. 107 TKP 400 Oud/Kalw. 10/7 Gem. SI/Kalf 103/7</p> <p>ADV 070154 SPN Mat. 105</p> <p>Elite-Goud</p> <p>AG 050061 OEK 30 SPN Mat. 114 TKP 369 Oud/Kalw. 15/13 Gem. SI/Kalf 103/13</p>	<p>JPL 040139 P SPN Mat. 82 MCU 030040 P SPN Mat. 135 MCU 060034 P SPN Mat. 123 MCU 050023 SPN Mat. 78 LAR 030398 SPN Mat. 70 ADV 030008 SPN Mat. 122 RAI 990034 SPN Mat. 89 AG 990258 SPN Mat. 102</p>
--	---	---	---


Lot 46

<p>AG 170923 SPN Mat. 108</p>	 <p>AG 120225 SPN Mat. 112</p>	<p>LAR 060034 SPN Mat. 113</p> <p>AG 040141 OEK 26 SPN Mat. 99 TKP 424 Oud/Kalw. 15/12 Gem. SI/Kalf 102/11</p> <p>AG 080409 SPN Mat. 72</p> <p>AG 100213 OEK 36 SPN Mat. 138 TKP 375 Oud/Kalw. 9/7 Gem. SI/Kalf 109/7</p>	<p>LAR 020101 SPN Mat. 94 LAR 980130 SPN Mat. 113 AG 000100 SPN Mat. 92 AG 020201 SPN Mat. 67 LAR 030398 SPN Mat. 70 AG 020165 SPN Mat. 110 FCT 060109 SPN Mat. 115 AG 000167 SPN Mat. 117</p>
--	--	---	--

Lot 47

<p>AG 170150 SPN Mat. 102</p>	 <p>AG 130115 PP(c) SPN Mat. 96</p>	<p>MCU 070007 P SPN Mat. 99</p> <p>MCU 100005 P OEK 38 SPN Mat. 107 TKP 400 Oud/Kalw. 10/7 Gem. SI/Kalf 103/7</p> <p>AG 090094 SPN Mat. 99</p> <p>GZV 110191 OEK 34 SPN Mat. 100 TKP 391 Oud/Kalw. 8/6 Gem. SI/Kalf 99/6</p>	<p>JPL 040139 P SPN Mat. 82 MCU 030040 P SPN Mat. 135 MCU 060034 P SPN Mat. 123 MCU 050023 SPN Mat. 78 WBB 070035 SPN Mat. 96 AG 020194 SPN Mat. 75 VV 050036 SPN Mat. 88 GZV 020020 SPN Mat. 92</p>
--	---	--	--

Lot 48

<p>AG 170997 SPN Mat. 78</p>	 <p>AG 080409 SPN Mat. 72</p>	<p>LAR 030398 SPN Mat. 70</p> <p>AG 020165 OEK 30 SPN Mat. 110 TKP 422 Oud/Kalw. 15/12 Gem. SI/Kalf 101/12</p> <p>PAD 070100 SPN Mat. 99</p> <p>AG 990048 OEK 29 SPN Mat. 87 TKP 410 Oud/Kalw. 12/10 Gem. SI/Kalf 97/10</p>	<p>LAR 010297 SPN Mat. 72 LAR 990031 SPN Mat. 85 AG 960059 SPN Mat. 109 AG 930026 SPN Mat. 96 EI 040038 SPN Mat. 91 AG 910197 SPN Mat. 113 AG 930109 SPN Mat. 74 AG 940006 SPN Mat. 93</p>
---	---	---	--

Lot	Seller	ID POLLED Gen	PARENTS		Test	Breeding Value Indexes											LHR BWR WWR	Semen Users	Breeder Own Remarks
			SIRE GV PV	DAM GV PV		Genomic Tested DNA	Birth Dir Acc	Wean Dir Acc	Birth Mat Acc	Wean Mat Acc	Mat Wgt Acc	Post Wean Acc	ADG Acc	FCR Acc	SC Acc	Hgt Acc			
					Birth Date	Wgt kg	Wgt kg	Ind	kg	kg	kg	365d Ind	540d Ind	Ind	Ind	(mm)	(mm)	(mm)	

BULLS


49	DE VILLIERS AG & SEUN	AG 170236	GZV 120062	PW540	90	106	100	106	101	102	100	102	102	100	104	-		
			<input checked="" type="checkbox"/>		2.13	16.2	-0.18	5.6	10.0	23.4	96	-51	11.3	1	20	-		
		SP	JHK 110133	DNA	78	73	52	55	41	57	43	32	47	48	46	-		
			<input checked="" type="checkbox"/>	21.09.17	36	232	104			96	103	-	-	-	-	40.1		
50	DE VILLIERS AG & SEUN	AG 170356	JL 100198	PW540	100	96	108	94	89	100	98	97	113	96	97	-		
			<input checked="" type="checkbox"/>		1.04	11.6	-0.55	2.3	-2.0	22.1	87	-40	20.3	-2	10	-		
		SP	AG 120784	DNA	77	73	55	58	46	68	49	24	52	52	51	-		
			<input checked="" type="checkbox"/>	05.10.17	36	221	92			99	101	-	-	-	-	49.4		
51	DE VILLIERS AG & SEUN	AG 170295	AG 120225	PW540	93	106	104	113	94	105	106	106	107	105	104	-		
			<input checked="" type="checkbox"/>		1.76	16.1	-0.38	7.6	3.0	25.4	127	-60	15.4	6	20	8.78		
		SP	AG 140290	DNA	78	74	52	54	38	69	39	19	42	42	41	-		
			<input checked="" type="checkbox"/>	28.09.17	36	259	106			94	110	-	-	-	-	-		
52	DE VILLIERS AG & SEUN	AG 170280	BBP 120187	PW540	93	108	123	95	105	110	124	116	108	107	113	-		
			<input checked="" type="checkbox"/>		1.78	17.0	-1.22	2.5	15.0	29.1	211	-80	15.7	7	32	-		
		SP	AG 130490	DNA	75	70	49	50	41	64	42	31	46	46	45	-		
			<input checked="" type="checkbox"/>	27.09.17	33	244	105			107	95	-	-	-	-	48		
53	DE VILLIERS AG & SEUN	AG 170357	AG 090751	PW540	110	103	113	95	92	96	96	91	105	100	104	-		
			<input checked="" type="checkbox"/>		-0.01	14.7	-0.80	2.4	1.0	18.9	76	-28	13.9	2	20	-		
		SP	JMP 100046	DNA	79	75	60	62	50	70	51	38	54	54	53	-		
			<input checked="" type="checkbox"/>	05.10.17	34	255	110			100	103	-	-	-	-	55.7		
54	DE VILLIERS AG & SEUN	AG 170306	AG 130115	PW540	105	105	100	91	92	109	106	96	111	107	110	-		
			<input checked="" type="checkbox"/>		0.45	15.8	-0.20	1.3	0.0	28.4	126	-38	18.3	7	28	8.83		
		SP	AG 150028	DNA	76	71	52	53	39	68	36	22	37	38	37	-		
			<input checked="" type="checkbox"/>	01.10.17	34	263	109			99	106	-	-	-	-	-		

1.02	13.4	-0.19	3.9	10	21.9	97	-46	9.6	2	14
------	------	-------	-----	----	------	----	-----	-----	---	----

Lot 49

AG 170236
SPN Mat. 106

GZV 120062
SPN Mat. 111



JHK 110133

AFC 20 SPN Mat. 102
 ICP 360 Age/Calv. 9/8
 RI 122 Avg. WI/Calf 100/9

AFC 26 SPN Mat. 129
 ICP 510 Age/Calv. 9/6
 Avg. WI/Calf 103/6

AG 090483
SPN Mat. 100

AG 080251
SPN Mat. 120

NFS 070326
SPN Mat. 101

NFS 040172
SPN Mat. 105

AFC 31 SPN Mat. 105
 ICP 353 Age/Calv. 15/14
 Avg. WI/Calf 102/14

FCT 060109
SPN Mat. 115

AG 060123
SPN Mat. 97

AG 020251
SPN Mat. 120

AG 980250
SPN Mat. 128

NFS 030268
SPN Mat. 102

NFS 050274
SPN Mat. 75


FCT 960024
SPN Mat. 83

T 960041
SPN Mat. 103

Lot 50

AG 170356
SPN Mat. 94

JL 100198
SPN Mat. 119



AG 120784

AFC 33 SPN Mat. 70
 ICP 398 Age/Calv. 6/4
 RI 105 Avg. WI/Calf 92/4

AFC 30 SPN Mat. 145
 ICP 473 Age/Calv. 18/13
 Avg. WI/Calf 104/12

AG 040310
SPN Mat. 117

EI 940254
SPN Mat. 68

JPL 090116 P
SPN Mat. 68

AG 100463
SPN Mat. 92

AFC 25 SPN Mat. 92
 ICP Age/Calv. 2/1
 Avg. WI/Calf 109/1

AG 020251
SPN Mat. 120

AG 930063
SPN Mat. 98

CX N 0029
SPN Mat. 105

EI J 0262
SPN Mat. 117

GJN 060212
SPN Mat. 73

JPL 070039 P
SPN Mat. 58


AG 070040
SPN Mat. 97

AG 080489
SPN Mat. 79

Lot 51

AG 170295
SPN Mat. 113

AG 120225
SPN Mat. 112



AG 140290

AFC 36 SPN Mat. 116
 ICP 340 Age/Calv. 4/2
 RI 101 Avg. WI/Calf 106/2

AFC 26 SPN Mat. 99
 ICP 424 Age/Calv. 15/12
 Avg. WI/Calf 102/11

TOR 050216
SPN Mat. 111

MCU 100005 P

AFC 38 SPN Mat. 107
 ICP 400 Age/Calv. 10/7
 Avg. WI/Calf 103/7

LAR 020101
SPN Mat. 94

LAR 980130
SPN Mat. 113

AG 000100
SPN Mat. 92

AG 020201
SPN Mat. 67

AG 010051
SPN Mat. 107

RAI 020013
SPN Mat. 109


MCU 060034 P
SPN Mat. 123

MCU 050023
SPN Mat. 78

Lot 52

AG 170280
SPN Mat. 95

BBP 120187
SPN Mat. 102



AG 130490

AFC 22 SPN Mat. 91
 ICP 493 Age/Calv. 6/4
 RI 106 Avg. WI/Calf 100/3

AFC 36 SPN Mat. 89
 ICP 452 Age/Calv. 8/5
 Avg. WI/Calf 93/4

AG 040289
SPN Mat. 122

RKB 060011
SPN Mat. 83

AG 110231
SPN Mat. 83

AG 100390
SPN Mat. 102

AFC 37 SPN Mat. 102
 ICP 411 Age/Calv. 6/4
 Avg. WI/Calf 106/3

AG 020193
SPN Mat. 109

AG 950012
SPN Mat. 120

PER 000077
SPN Mat. 98

RKB 040043
SPN Mat. 87

AG 070745
SPN Mat. 94

AG 070467
SPN Mat. 108


HJB 050052
SPN Mat. 112

AG 070390
SPN Mat. 74

Lot 53

AG 170357
SPN Mat. 95

AG 090751
SPN Mat. 113



JMP 100046 P

AFC 29 SPN Mat. 84
 ICP 368 Age/Calv. 7/6
 RI 114 Avg. WI/Calf 101/6

AFC 35 SPN Mat. 128
 ICP 443 Age/Calv. 15/11
 Avg. WI/Calf 106/10

JMP 040076
SPN Mat. 99

JMP 040390 P
SPN Mat. 82

AFC 28 SPN Mat. 82
 ICP 378 Age/Calv. 10/8
 Avg. WI/Calf 93/8

CEF 020328
SPN Mat. 89

CEF 950055
SPN Mat. 86

AG 950059
SPN Mat. 102

AG 940258
SPN Mat. 111

JMP 010117
SPN Mat. 93

JMP 970203
SPN Mat. 94


JMP 010116
SPN Mat. 91

JMP 000098
SPN Mat. 94

Lot 54

AG 170306
SPN Mat. 91

AG 130115 PP(c)
SPN Mat. 96



AG 150028 P

AFC 32 SPN Mat. 88
 ICP 423 Age/Calv. 5/3
 RI 103 Avg. WI/Calf 109/2

AFC 38 SPN Mat. 107
 ICP 400 Age/Calv. 10/7
 Avg. WI/Calf 103/7

MCU 070007 P
SPN Mat. 99

MCU 100005 P
SPN Mat. 68

JPL 090116 P
SPN Mat. 68

AG 150028 P
Elite-Gold

AFC 23 SPN Mat. 93
 ICP 374 Age/Calv. 14/13
 Avg. WI/Calf 94/13

JPL 040139 P
SPN Mat. 82

MCU 030040 P
SPN Mat. 135

MCU 060034 P
SPN Mat. 123

MCU 050023
SPN Mat. 78

GJN 060212
SPN Mat. 73

JPL 070039 P
SPN Mat. 58

AG 960184
SPN Mat. 113

AG 950103
SPN Mat. 108

Lot	Verkoper	ID POENA Gen	OUERS VADER GV OV MOEDER GV OV	Toets Genomies Getoets DNS Geb. dat.	DIREKTE KALF EIENSKAPPE		DOGTER EIENSKAPPE			GROEI		DOEL	REP	MATES		V:	Semen Gebruikers	Gebruiker Eie Opmerkings
					Nageslag Geboorte- gewig	Nageslag Speengewig	Gemak van Kalwing	Melk prod.	Volwas- se Gewig	Naspeen- gewig	Daaglikse Toename			Voer- omset	Hoogte & Lengte			
Teelwaarde indekse																		
Geb Dir	Speen Dir	Geb Mat	Speen Mat	Volw Gew	Naspeen	GDT	VOV	SO	Hgt	Lgt	LHV	GGV	SGV					
Akk	Akk	Akk	Akk	Akk	Akk	Akk	Akk	Akk	Akk	Akk	Akk	Akk	Akk	Akk	Akk	Akk		
Gew kg	Gew kg	Ind	kg	kg	kg	365d Ind	540d Ind	Ind	Ind	(mm)	(mm)	(mm)	(mm)	(mm)	(mm)	(mm)		

BULLE

55	DE VILLIERS AG & SEUN	AG 170490	GJN 150096 <input checked="" type="checkbox"/>	NS540	83	119	97	92	124	122	116	107	109	109	115	-		
					2.80	21.9	-0.07	1.7	37.0	37.0	174	-61	16.5	9	36	-		
		SP	MGH 130061 <input checked="" type="checkbox"/>	DNS	77	72	48	50	42	65	40	23	45	45	44	-		
				17.10.17	36	259	111			119	110	-	-	-	-	46.1		
56	DE VILLIERS AG & SEUN	AG 170312	JL 100198 <input checked="" type="checkbox"/>	NS540	93	102	130	109	82	106	97	95	106	96	101	-		
					1.78	14.4	-1.54	6.3	-11.0	26.1	85	-36	14.8	-1	16	-		
		SP	AG 120486 <input checked="" type="checkbox"/>	DNS	79	73	57	59	48	70	51	27	53	53	53	-		
				01.10.17	34	232	98			109	115	-	-	-	-	53.1		
57	NONNA BONSMARAS	AGB 170033	AG 070593 <input checked="" type="checkbox"/>	NS540	90	99	90	111	-	98	-	-	-	-	-	-		
					2.12	13.0	0.25	6.9	-	20.5	-	-	-	-	-	-	-	
		B	AGB 140197 <input checked="" type="checkbox"/>	DNS	66	57	28	30	-	53	-	-	-	-	-	-	-	
				28.06.17	38	238	118			112	114	-	-	-	-	-		
58	DE VILLIERS AG & SEUN	AG 170342	BBP 130257 <input checked="" type="checkbox"/>	NS540	93	115	112	97	108	107	114	107	113	104	108	-		
					1.78	20.4	-0.73	2.9	18.0	26.7	163	-62	20.3	5	26	-		
		SP	AG 080312 <input checked="" type="checkbox"/>	DNS	79	74	56	58	43	70	48	34	52	52	51	-		
				03.10.17	34	256	110			97	92	-	-	-	-	45.4		
59	DE VILLIERS AG & SEUN	AG 170499	AG 130334 <input checked="" type="checkbox"/>	NS540	94	112	100	101	108	112	120	108	111	107	116	-		
					1.62	19.1	-0.20	4.2	18.0	30.6	190	-63	18.3	7	37	-		
		SP	AG 130459 <input checked="" type="checkbox"/>	DNS	76	72	49	51	37	68	35	21	38	38	37	-		
				18.10.17	36	264	113			111	102	-	-	-	-	52.2		
60	DE VILLIERS AG & SEUN	AG 170355	AG 130147 <input checked="" type="checkbox"/>	NS540	88	124	117	97	105	115	117	112	123	105	108	-		
					2.24	24.5	-0.95	3.1	15.0	32.6	175	-73	28.0	6	26	-		
		SP	AG 150233 <input checked="" type="checkbox"/>	DNS	75	71	45	48	35	68	37	21	39	40	39	-		
				05.10.17	35	263	109			92	105	-	-	-	-	-		

BONSDAK BEESTERINGSNOOTSKAP VAN SA


Saamgestel deur die Suid-Afrikaanse Stamboek- en Veeverbeteringsvereniging

Veilingsdatum: 17/09/2020
Data soos op 20/08/2020 09:31:01

Lot 55

AG 170490
SPN Mat. 92

GJN 150096
SPN Mat. 83



MGH 130061

OEK 25 SPN Mat. 102
TKP 373 Oud/Kalw. 6/5
RI 118 Gem. SI/Kalf 108/4

AG 110231
SPN Mat. 83

GJN 110379
OEK 24 SPN Mat. 84
TKP 574 Oud/Kalw. 4/2
Gem. SI/Kalf 91/2

AG 080455
SPN Mat. 89

CEF 040065
OEK 28 SPN Mat. 92
TKP 417 Oud/Kalw. 11/9
Gem. SI/Kalf 99/9

AG 070745
SPN Mat. 94

AG 070467
SPN Mat. 108

AG 070480
SPN Mat. 110

GJN 060033
SPN Mat. 84

LAR 030398
SPN Mat. 70

AG 020180
SPN Mat. 97


CEF 990259
SPN Mat. 85

CEF 960122
SPN Mat. 95

Lot 56

AG 170312
SPN Mat. 109

JL 100198
SPN Mat. 119



AG 120486

OEK 33 SPN Mat. 98
TKP 484 Oud/Kalw. 7/4
RI 94 Gem. SI/Kalf 101/3

AG 040310
SPN Mat. 117

EI 940254
OEK 30 SPN Mat. 145
TKP 473 Oud/Kalw. 18/13
Gem. SI/Kalf 104/12

FCT 060109
SPN Mat. 115

Elite-Silwer

AG 080467
OEK 25 SPN Mat. 87
TKP 378 Oud/Kalw. 11/10
Gem. SI/Kalf 102/9

AG 020251
SPN Mat. 120

AG 930063
SPN Mat. 98

CX N 0029
SPN Mat. 105

EI J 0262
SPN Mat. 117

FCT 040101
SPN Mat. 90

FCT 980024
SPN Mat. 110


AG 060481
SPN Mat. 90

AG 980309
SPN Mat. 80

Lot 57

AGB 170033
SPN Mat. 111

AG 070593
SPN Mat. 86



AGB 140197

OEK * SPN Mat. 121
TKP 430 Oud/Kalw. */3
RI 101 Gem. SI/Kalf 114/2

AG 040160
SPN Mat. 74

AG 030592
OEK 36 SPN Mat. 99
TKP 361 Oud/Kalw. 11/9
Gem. SI/Kalf 105/9

SPN Mat.

SPN Mat.

SPN Mat.

SPN Mat.

RCO 000091
SPN Mat. 69

AG 010239
SPN Mat. 91


AG 960184
SPN Mat. 113

AG 940547
SPN Mat. 96

Lot 58

AG 170342
SPN Mat. 97

BBP 130257
SPN Mat. 111



AG 080312

OEK 24 SPN Mat. 91
TKP 369 Oud/Kalw. 11/10
RI 118 Gem. SI/Kalf 107/9

WBB 060002
SPN Mat. 100
Goud

CRV 110122
OEK 28 SPN Mat. 126
TKP 414 Oud/Kalw. 9/6
Gem. SI/Kalf 104/5

LAR 030398
SPN Mat. 70

AG 020188
OEK 30 SPN Mat. 89
TKP 409 Oud/Kalw. 14/11
Gem. SI/Kalf 96/11

LAR 010176
SPN Mat. 80

AG 020103
SPN Mat. 107

WBB 060002
SPN Mat. 100

HJB 990288
SPN Mat. 126

LAR 010297
SPN Mat. 72

LAR 990031
SPN Mat. 85


AG 980338
SPN Mat. 87

AG 950038
SPN Mat. 102

Lot 59

AG 170499
SPN Mat. 101

AG 130334
SPN Mat. 85



AG 130459

OEK 35 SPN Mat. 121
TKP 393 Oud/Kalw. 6/4
RI 102 Gem. SI/Kalf 107/4

AG 110231
SPN Mat. 83

AG 110065
OEK 30 SPN Mat. 101
TKP 369 Oud/Kalw. 9/7
Gem. SI/Kalf 103/7

AG 090094
SPN Mat. 99

AG 110352
OEK 24 SPN Mat. 121
TKP 438 Oud/Kalw. 8/6
Gem. SI/Kalf 105/6

AG 070745
SPN Mat. 94

AG 070467
SPN Mat. 108

AG 060027
SPN Mat. 91

AG 990135
SPN Mat. 117

WBB 070035
SPN Mat. 96

AG 020194
SPN Mat. 75


PAD 070093
SPN Mat. 100

AG 090423
SPN Mat. 116

Lot 60

AG 170355
SPN Mat. 97

AG 130147
SPN Mat. 101



AG 150233

OEK 29 SPN Mat. 94
TKP Oud/Kalw. 2/1
RI 112 Gem. SI/Kalf 109/1

AG 080210
SPN Mat. 102

AG 100156
OEK 36 SPN Mat. 101
TKP 486 Oud/Kalw. 7/4
Gem. SI/Kalf 106/3

HCO 090044
SPN Mat. 117

AG 010288
OEK 28 SPN Mat. 73
TKP 440 Oud/Kalw. 17/13
Gem. SI/Kalf 99/11

HJS 030016
SPN Mat. 100

BZ 020158
SPN Mat. 130

CSW 010014
SPN Mat. 94

AG 040166
SPN Mat. 94

VV 030346
SPN Mat. 116

HJB 060044
SPN Mat. 95

RCO 980035
SPN Mat. 66

AG 970106
SPN Mat. 81

Lot	Seller	ID POLLED Gen	PARENTS		Test	Breeding Value Indexes											Semen Users	Breeder Own Remarks			
			SIRE GV PV	DAM GV PV		Genomic Tested DNA	Birth Dir Acc	Wean Dir Acc	Birth Mat Acc	Wean Mat Acc	Mat Wgt Acc	Post Wean Acc	ADG Acc	FCR Acc	SC Acc	Hgt Acc			Lgt Acc	LHR	BWR
					Birth Date	Wgt kg	Wgt kg	Ind	kg	kg	kg	365d Ind	540d Ind	Ind	Ind	(mm)	(mm)	(mm)			

BULLS


61	DE VILLIERS AG & SEUN	AG 170743 SP	AG 090751 <input checked="" type="checkbox"/>	PW540	101	104	104	99	90	99	99	102	105	93	101	-		
			AG 040372 <input checked="" type="checkbox"/>	DNA	0.88 78	15.3 75	-0.37 63	3.7 64	-1.0 51	20.8 71	94 56	-51 35	13.6 58	-4 59	16 58	-		
				21.10.17	38	335	111			93	90	-	-	-	-	-		
62	DE VILLIERS AG & SEUN	AG 170392 SP	AG 120225 <input checked="" type="checkbox"/>	PW540	103	99	101	106	93	98	105	109	103	100	99	-		
			AG 150046 <input checked="" type="checkbox"/>	DNA	0.70 78	13.1 72	-0.25 53	5.6 53	2.0 39	20.4 69	123 41	-65 23	12.2 44	1 44	13 43	-		
				10.10.17	33	257	107			92	104	-	-	-	-	-		
63	DE VILLIERS AG & SEUN	AG 170873 SP	BBP 120187 <input checked="" type="checkbox"/>	PW540	100	102	115	98	86	111	104	109	100	88	96	-		
			AG 100827 <input checked="" type="checkbox"/>	DNA	0.97 76	14.2 70	-0.86 50	3.2 52	-6.0 42	29.7 64	116 42	-66 28	10.1 46	-9 46	9 45	-		
				06.11.17	34	223	94			116	116	-	-	-	-	51.5		
64	DE VILLIERS AG & SEUN	AG 170393 SP	AG 130115 <input checked="" type="checkbox"/>	PW540	124	90	101	92	89	99	99	95	98	93	99	-		
			PP(c) <input checked="" type="checkbox"/>	DNA	-1.58 76	8.9 71	-0.25 52	1.5 53	-2.0 35	21.0 68	94 34	-35 18	7.7 36	-4 36	13 35	-		
			AG 150518 <input checked="" type="checkbox"/>	10.10.17	26	221	93			95	104	-	-	-	-	-		
65	DE VILLIERS AG & SEUN	AG 171051 SP	AG 080409 <input checked="" type="checkbox"/>	PW540	93	104	105	86	102	102	104	103	99	90	101	-		
			AG 110065 <input checked="" type="checkbox"/>	DNA	1.73 79	15.3 76	-0.43 61	-0.1 62	12.0 49	23.4 72	116 54	-53 30	8.9 56	-7 56	16 56	-		
				21.12.17	37	227	110			112	101	-	-	-	-	41.7		
66	DE VILLIERS AG & SEUN	AG 170416 SP	SYF 120293 <input checked="" type="checkbox"/>	PW540	92	98	111	79	107	101	86	83	102	72	87	-		
			AG 060249 <input checked="" type="checkbox"/>	DNA	1.91 77	12.4 73	-0.68 54	-2.2 57	18.0 43	22.7 66	29 46	-11 23	11.5 49	-22 50	-4 49	-		
				11.10.17	38	284	92			93	100	-	-	-	-	-		

1.02	13.4	-0.19	3.9	10	21.9	97	-46	9.6	2	14
------	------	-------	-----	----	------	----	-----	-----	---	----

Lot 61

AG 170743
SPN Mat. 99

AG 090751
SPN Mat. 113



AG 040372
SPN Mat. 90
Age/Calv. 13/11
Avg. Wl/Calf 100/10

AFC 22 ICP 406 RI 112

AG 040431
SPN Mat. 91

AG 980250
SPN Mat. 128
Age/Calv. 15/11
Avg. Wl/Calf 106/10

AFC 35 ICP 443

AG 020145
SPN Mat. 91
Gold

AFC 36 ICP 415

AG 950083
SPN Mat. 92
Age/Calv. 15/12
Avg. Wl/Calf 102/11

AFC 36 ICP 415

AG 020328
SPN Mat. 89

AG 950055
SPN Mat. 86

AG 950059
SPN Mat. 102

AG 940258
SPN Mat. 111

AG 980338
SPN Mat. 87

AG 950012
SPN Mat. 120


AG 910138
SPN Mat. 73

AG 910205
SPN Mat. 108

Lot 62

AG 170392
SPN Mat. 106

AG 120225
SPN Mat. 112



AG 150046
SPN Mat. 103
Age/Calv. 5/3
Avg. Wl/Calf 107/2

AFC 32 ICP 384 RI 107

LAR 060034
SPN Mat. 113

AG 040141
SPN Mat. 99
Age/Calv. 15/12
Avg. Wl/Calf 102/11

AFC 26 ICP 424

TOR 050216
SPN Mat. 111

AFC 25 ICP 365

JMP 050338 P
SPN Mat. 88
Age/Calv. 13/12
Avg. Wl/Calf 95/11

AFC 25 ICP 365

LAR 020101
SPN Mat. 94

LAR 980130
SPN Mat. 113

AG 000100
SPN Mat. 92

AG 020201
SPN Mat. 67

AG 010051
SPN Mat. 107

RAI 020013
SPN Mat. 109


FCT 970024
SPN Mat. 91

JMP 020203
SPN Mat. 87

Lot 63

AG 170873
SPN Mat. 98

BBP 120187
SPN Mat. 102



AG 100827
SPN Mat. 86
Age/Calv. 8/6
Avg. Wl/Calf 95/5

AFC 34 ICP 396 RI 106

AG 040289
SPN Mat. 122

RKB 060011
SPN Mat. 89
Age/Calv. 8/5
Avg. Wl/Calf 93/4

AFC 36 ICP 452

AG 070249
SPN Mat. 87

AFC 27 ICP 407

AG 080288
SPN Mat. 100
Age/Calv. 11/9
Avg. Wl/Calf 103/9

AFC 27 ICP 407

AG 020193
SPN Mat. 109

AG 950012
SPN Mat. 120

PER 000077
SPN Mat. 98

RKB 040043
SPN Mat. 87

LAR 030312
SPN Mat. 104

AG 040372
SPN Mat. 90


JJ 040115
SPN Mat. 124

AG 050026
SPN Mat. 91

Lot 64

AG 170393
SPN Mat. 92

AG 130115 PP(c)
SPN Mat. 96



AG 150518
SPN Mat. 86
Age/Calv. 4/3
Avg. Wl/Calf 95/3

AFC 24 ICP 393 RI 119

MCU 070007 P
SPN Mat. 99

MCU 100005 P
SPN Mat. 107
Age/Calv. 10/7
Avg. Wl/Calf 103/7

AFC 38 ICP 400

HART090122
SPN Mat. 84
Elite-Gold

AFC 31 ICP 384

AG 050518
SPN Mat. 96
Age/Calv. 14/12
Avg. Wl/Calf 104/12

AFC 31 ICP 384

JPL 040139 P
SPN Mat. 82

MCU 030040 P
SPN Mat. 135

MCU 060034 P
SPN Mat. 123

MCU 050023
SPN Mat. 78

AG 030353
SPN Mat. 94

BHE 050033
SPN Mat. 88


AG 020224
SPN Mat. 80

AG 950510
SPN Mat. 99

Lot 65

AG 171051
SPN Mat. 86

AG 080409
SPN Mat. 72



AG 110065
SPN Mat. 101
Age/Calv. 9/7
Avg. Wl/Calf 103/7

AFC 30 ICP 369 RI 113

LAR 030398
SPN Mat. 70

AG 020165
SPN Mat. 110
Age/Calv. 15/12
Avg. Wl/Calf 101/12

AFC 30 ICP 422

AG 060027
SPN Mat. 91

AFC 24 ICP 392

AG 990135
SPN Mat. 117
Age/Calv. 14/12
Avg. Wl/Calf 101/10

AFC 24 ICP 392

LAR 010297
SPN Mat. 72

LAR 990031
SPN Mat. 85

AG 960059
SPN Mat. 109

AG 930026
SPN Mat. 96

LAR 010176
SPN Mat. 80

AG 020147
SPN Mat. 129


AG 920046
SPN Mat. 123

AG N 0045
SPN Mat. 104

Lot 66

AG 170416
SPN Mat. 79

SYF 120293
SPN Mat. 80



AG 060249
SPN Mat. 71
Age/Calv. 11/9
Avg. Wl/Calf 96/9

AFC 24 ICP 414 RI 110

SYF 090010
SPN Mat. 77

SYF 090036
SPN Mat. 90
Age/Calv. 11/8
Avg. Wl/Calf 100/7

AFC 30 ICP 418

RAI 990034
SPN Mat. 89

AFC 24 ICP 404

AG 030207
SPN Mat. 71
Age/Calv. 13/11
Avg. Wl/Calf 94/11

AFC 24 ICP 404

SYF 040160
SPN Mat. 68

SYF 060173
SPN Mat. 99

ADV 010011
SPN Mat. 79

SYF 060175
SPN Mat. 96

VV 950353
SPN Mat. 106

RAI 950048
SPN Mat. 92

AG 000264
SPN Mat. 77

AG 000118
SPN Mat. 102

Lot	Verkoper	ID POENA Gen	OUERS VADER GV OV MOEDER GV OV	Toets Genomies Getoets DNS Geb. dat.	DIREKTE KALF EIENSKAPPE					DOGTER EIENSKAPPE			GROEI		DOEL	REP	MATES	V:	Semen Gebruikers	Gebruiker Eie Opmerkings
					Nageslag Geboorte- gewig	Nageslag Speengewig	Gemak van Kalwing	Melk prod.	Volwas- se Gewig	Naspeen- gewig	Daaglikse Toename	Voer- omset	Hoogte & Lengte							
Teelwaarde indekse																				
				Geb Dir	Speen Dir		Geb Mat	Speen Mat	Volw Gew	Naspeen	GDT	VOV	SO	Hgt	Lgt	LHV	GGV	SGV		
				Akk	Akk		Akk	Akk	Akk	Akk	Akk	Akk	Akk	Akk	Akk	Akk	Akk	Akk		
				Gew kg	Gew kg	Ind	kg	kg	kg	365d Ind	540d Ind	Ind	Ind	(mm)	(mm)	(mm)				


BULLE

67	DE VILLIERS AG & SEUN	AG 171054 SP	AG 130115 PP(c) <input checked="" type="checkbox"/>	NS540	119	87	102	102	80	94	93	87	108	94	100	-				
			AG 130203 <input checked="" type="checkbox"/>	DNS	-1.01 78	7.4 74	-0.27 53	4.5 57	-12.0 45	17.7 68	64 36	-20 22	15.9 37	-3 37	14 37	-				
				23.12.17	32	220	109			117	96	-	-					46.2		
68	DE VILLIERS AG & SEUN	AG 170427 SP	AG 110231 <input checked="" type="checkbox"/>	NS540	96	93	98	93	96	95	108	104	105	100	101	-				
			AG 070226 <input checked="" type="checkbox"/>	DNS	1.46 78	10.2 74	-0.10 61	1.9 63	5.0 52	18.3 70	136 50	-54 35	13.6 53	1 53	16 52	-				
				12.10.17	37	300	98			93	91	-	-							
69	DE VILLIERS AG & SEUN	AG 170955 SP	AG 130334 <input checked="" type="checkbox"/>	NS540	101	100	104	86	97	106	107	105	96	93	100	-				
			AG 130330 <input checked="" type="checkbox"/>	DNS	0.94 78	13.5 72	-0.36 52	-0.1 51	6.0 42	25.9 68	131 35	-57 21	6.4 37	-4 37	15 36	-				
				18.11.17	34	191	91			109	96	-	-					40.2		
70	DE VILLIERS AG & SEUN	AG 170466 SP	AG 110231 <input checked="" type="checkbox"/>	NS540	100	92	105	85	108	95	113	104	102	108	109	-				
			AG 100306 <input checked="" type="checkbox"/>	DNS	1.03 77	9.8 73	-0.42 58	-0.3 60	19.0 50	18.0 69	160 50	-55 35	11.0 52	8 53	26 52	-				
				15.10.17	36	237	100			99	97	-	-					45.9		
71	DE VILLIERS AG & SEUN	NFS 160058 SP	CEF 110493 <input checked="" type="checkbox"/>	C32	67	117	106	99	100	109	88	83	107	95	102	1.2				
			NFS 100010 <input checked="" type="checkbox"/>	DNS	4.50 86	21.0 80	-0.47 54	3.5 57	10.0 47	28.0 56	40 66	-11 73	15.2 75	-3 76	17 73	6.18				
				24.04.16	44	263	101			-		99	98	357	1149	1379	39.3			
72	DE VILLIERS AG & SEUN	AG 170719 SP	AG 140168 <input checked="" type="checkbox"/>	NS540	90	102	109	89	82	96	106	107	102	85	96	-				
			AG 050292 <input checked="" type="checkbox"/>	DNS	2.09 78	14.1 74	-0.62 50	0.8 54	-10.0 40	18.8 66	125 41	-61 22	11.0 44	-11 44	8 43	-				
				19.10.17	34	314	105			93	90	-	-							

Lot 67

AG 171054
SPN Mat. 102

AG 130115 PP(c)
SPN Mat. 96



AG 130203
OEK 25 SPN Mat. 107
TKP 372 Oud/Kalw. 6/5
RI 118 Gem. SI/Kalf 107/5

MCU 070007 P
SPN Mat. 99

MCU 100005 P
OEK 38 SPN Mat. 107
TKP 400 Oud/Kalw. 10/7
Gem. SI/Kalf 103/7

JPL 090116 P
SPN Mat. 68

AG 110722
OEK 22 SPN Mat. 103
TKP 524 Oud/Kalw. 3/2
Gem. SI/Kalf 97/2

JPL 040139 P
SPN Mat. 82

MCU 030040 P
SPN Mat. 135

MCU 060034 P
SPN Mat. 123

MCU 050023
SPN Mat. 78

GJN 060212
SPN Mat. 73

JPL 070039 P
SPN Mat. 58


FCT 060109
SPN Mat. 115

AG 080467
SPN Mat. 87

Lot 68

AG 170427
SPN Mat. 93

AG 110231
SPN Mat. 83



AG 070226
OEK 24 SPN Mat. 102
TKP 419 Oud/Kalw. 10/8
RI 109 Gem. SI/Kalf 102/8

AG 070745
SPN Mat. 94

AG 070467
OEK 34 SPN Mat. 108
TKP 370 Oud/Kalw. 10/8
Gem. SI/Kalf 104/8

FAN 000010
SPN Mat. 103

AG 050361
OEK 23 SPN Mat. 89
TKP 362 Oud/Kalw. 3/2
Gem. SI/Kalf 97/1

WAT 030085
SPN Mat. 97

AG 030221
SPN Mat. 111

LAR 030312
SPN Mat. 104

AG 040150
SPN Mat. 110

AMF 970431
SPN Mat. 96

FAN 970043
SPN Mat. 92


AG 010152
SPN Mat. 99

AG 030217
SPN Mat. 87

Lot 69

AG 170955
SPN Mat. 86

AG 130334
SPN Mat. 85



AG 130330
OEK 26 SPN Mat. 82
TKP 357 Oud/Kalw. 6/5
RI 120 Gem. SI/Kalf 97/4

AG 110231
SPN Mat. 83

AG 110065
OEK 30 SPN Mat. 101
TKP 369 Oud/Kalw. 9/7
Gem. SI/Kalf 103/7

AG 100080
SPN Mat. 110

AG 090197
OEK 36 SPN Mat. 70
TKP 406 Oud/Kalw. 10/7
Gem. SI/Kalf 93/7

AG 070745
SPN Mat. 94

AG 070467
SPN Mat. 108

AG 060027
SPN Mat. 91

AG 990135
SPN Mat. 117

LAR 040233
SPN Mat. 88

AG 050239
SPN Mat. 98


MMJ 030227
SPN Mat. 106

AG 070390
SPN Mat. 74

Lot 70

AG 170466
SPN Mat. 85

AG 110231
SPN Mat. 83



AG 100306
OEK 26 SPN Mat. 90
TKP 427 Oud/Kalw. 8/6
RI 108 Gem. SI/Kalf 97/4

AG 070745
SPN Mat. 94

AG 070467
OEK 34 SPN Mat. 108
TKP 370 Oud/Kalw. 10/8
Gem. SI/Kalf 104/8

HJB 050052
SPN Mat. 112

AG 070030
OEK 31 SPN Mat. 84
TKP 375 Oud/Kalw. 5/3
Gem. SI/Kalf 95/2

WAT 030085
SPN Mat. 97

AG 030221
SPN Mat. 111

LAR 030312
SPN Mat. 104

AG 040150
SPN Mat. 110

NPT 910022
SPN Mat. 106

LA 980114
SPN Mat. 108


LAR 010176
SPN Mat. 80

AG 960131
SPN Mat. 97

Lot 71

NFS 160058
SPN Mat. 99

CEF 110493
SPN Mat. 81



NFS 100010
OEK 37 SPN Mat. 117
TKP 392 Oud/Kalw. 10/7
RI 104 Gem. SI/Kalf 98/7

CEF 090485
SPN Mat. 104

CEF 080084
OEK 27 SPN Mat. 78
TKP 369 Oud/Kalw. 11/10
Gem. SI/Kalf 99/10

NFS 060243
SPN Mat. 137
Goud Elite-Goud

NFS 070060
OEK 24 SPN Mat. 103
TKP 384 Oud/Kalw. 11/10
Gem. SI/Kalf 97/8

LAR 050023
SPN Mat. 98

CEF 030160
SPN Mat. 114

CEF 040462
SPN Mat. 80

CEF 000125
SPN Mat. 86

AG 020338
SPN Mat. 111

T 030046
SPN Mat. 150


VV 030159
SPN Mat. 94

T 030069
SPN Mat. 112

Lot 72

AG 170719
SPN Mat. 89

AG 140168
SPN Mat. 99



AG 050292
OEK 35 SPN Mat. 84
TKP 413 Oud/Kalw. 13/10
RI 103 Gem. SI/Kalf 96/10

AG 080210
SPN Mat. 102

AG 090371
OEK 24 SPN Mat. 94
TKP 432 Oud/Kalw. 4/3
Gem. SI/Kalf 109/3

AG 980012
SPN Mat. 68

AG 990288
OEK 35 SPN Mat. 110
TKP 387 Oud/Kalw. 10/8
Gem. SI/Kalf 97/7

HJS 030016
SPN Mat. 100

BZ 020158
SPN Mat. 130

AG 050085
SPN Mat. 84

AG 050217
SPN Mat. 97

TBR 910704
SPN Mat. 77

AG 950167
SPN Mat. 92

AG 920046
SPN Mat. 123

AG 910185
SPN Mat. 112

Lot	Seller	ID POLLED Gen	PARENTS		Test	Breeding Value Indexes											R:	Semen Users	Breeder Own Remarks		
			SIRE GV PV	DAM GV PV		Genomic Tested DNA	Birth Dir Acc	Wean Dir Acc	Birth Mat Acc	Wean Mat Acc	Mat Wgt Acc	Post Wean Acc	ADG Acc	FCR Acc	SC Acc	Hgt Acc				Lgt Acc	LHR
					Birth Date	Wgt kg	Wgt kg	Ind	kg	kg	kg	365d Ind	540d Ind	Ind	Ind	(mm)	(mm)	(mm)			




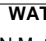
BULLS

73	DE VILLIERS AG & SEUN	AG 170827 SP	AG 110231 <input checked="" type="checkbox"/>	PW540	83	107	103	93	114	103	113	107	109	106	111	-		
			AJF 100092 <input checked="" type="checkbox"/>	DNA	2.84 79	16.5 75	-0.30 59	1.8 61	26.0 50	24.0 70	156 49	-62 34	17.0 52	6 53	29 52	-		
				30.10.17	38	267	114		107	102	-	-		-	-	52.4		
74	DE VILLIERS AG & SEUN	AG 170742 SP	AG 110231 <input checked="" type="checkbox"/>	PW540	87	105	106	93	115	106	112	108	109	98	107	-		
			LAR 070213 <input checked="" type="checkbox"/>	DNA	2.36 79	15.7 76	-0.49 61	1.8 63	26.0 50	26.4 71	153 52	-62 36	17.1 55	0 55	24 54	-		
				21.10.17	39	313	102		94	94	-	-		-	-	-		
75	DE VILLIERS AG & SEUN	AG 170746 SP	AG 110301 <input checked="" type="checkbox"/>	PW540	96	105	118	115	109	105	109	101	113	112	113	-		
			AG 130236 <input checked="" type="checkbox"/>	DNA	1.39 77	15.8 72	-0.99 55	8.1 56	20.0 43	25.7 68	138 43	-49 27	20.2 46	12 47	32 46	-		
				21.10.17	36	262	112		106	105	-	-		-	-	49.4		




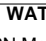
Breed Average

1.02	13.4	-0.19	3.9	10	21.9	97	-46	9.6	2	14
------	------	-------	-----	----	------	----	-----	-----	---	----

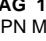



Lot 73

<p>AG 170827 SPN Mat. 93</p>	 <p>AG 110231 SPN Mat. 83</p> 	<p>AFC 35 ICP 435 RI 98</p>	<p>SPN Mat. 108 Age/Calv. 8/5 Avg. Wl/Calf 104/5</p>	 <p>AJF 100092</p>	<p>AFC 34 ICP 370</p>	<p>AG 070745 SPN Mat. 94</p> <p>AG 070467 SPN Mat. 108 Age/Calv. 10/8 Avg. Wl/Calf 104/8</p> <p>AG 050426 SPN Mat. 89</p> <p>Elite-Gold AJF 020005</p>	<p>AFC 28 ICP 394</p>	<p>SPN Mat. 107 Age/Calv. 13/11 Avg. Wl/Calf 100/10</p>	 <p>WAT 030085</p>	<p>SPN Mat. 97 AG 030221 SPN Mat. 111 LAR 030312 SPN Mat. 104 AG 040150 SPN Mat. 110 RCO 000091 SPN Mat. 69 AG 010123 SPN Mat. 107 KTB 960047 SPN Mat. 116 AJF 950272 SPN Mat. 110</p>
---	--	-------------------------------------	--	---	---------------------------	--	---------------------------	---	--	---

Lot 74

<p>AG 170742 SPN Mat. 93</p>	 <p>AG 110231 SPN Mat. 83</p> 	<p>AFC 37 ICP 410 RI 102</p>	<p>SPN Mat. 100 Age/Calv. 12/9 Avg. Wl/Calf 106/8</p>	 <p>LAR 070213</p>	<p>AFC 34 ICP 370</p>	<p>AG 070745 SPN Mat. 94</p> <p>AG 070467 SPN Mat. 108 Age/Calv. 10/8 Avg. Wl/Calf 104/8</p> <p>LAR 010297 SPN Mat. 72</p> <p>LAR 960077</p>	<p>AFC 35 ICP 372</p>	<p>SPN Mat. 74 Age/Calv. 11/9 Avg. Wl/Calf 99/9</p>	 <p>WAT 030085</p>	<p>SPN Mat. 97 AG 030221 SPN Mat. 111 LAR 030312 SPN Mat. 104 AG 040150 SPN Mat. 110 AG 920097 SPN Mat. 50 LAR 960332 SPN Mat. 113 AG N 0081 SPN Mat. 71 LAR 930082 SPN Mat. 85</p>
---	--	--------------------------------------	---	---	---------------------------	--	---------------------------	---	--	--

Lot 75

<p>AG 170746 SPN Mat. 115</p>	 <p>AG 110301 SPN Mat. 111</p> 	<p>AFC 25 ICP 363 RI 119</p>	<p>SPN Mat. 121 Age/Calv. 6/5 Avg. Wl/Calf 106/5</p>	 <p>AG 130236</p>	<p>AFC 24 ICP 363</p>	<p>VV 070012 SPN Mat. 110 Gold Elite-Gold AG 040253 SPN Mat. 105 Age/Calv. 12/10 Avg. Wl/Calf 105/10 TOR 050216 SPN Mat. 111 Elite-Gold AG 080798 SPN Mat. 117 Age/Calv. 10/9 Avg. Wl/Calf 107/8</p>	<p>AFC 24 ICP 363</p>	<p>SPN Mat. 114 VV 040214 SPN Mat. 112 RAI 990034 SPN Mat. 89 AG 980005 SPN Mat. 100 AG 010051 SPN Mat. 107 RAI 020013 SPN Mat. 109 CEF 040431 SPN Mat. 91 AG 010117 SPN Mat. 113</p>	 <p>VV 040046</p>
--	---	--------------------------------------	--	--	---------------------------	--	---------------------------	--	--