

EXPLANATION OF ABBREVIATIONS IN CATALOGUE

VERDUIDELIKING VAN AFKORTINGS IN KATALOGUS

	DIRECT CALF TRAITS	DIREKTE KALF EIENSKAPPE	Kalf eienskappe
Calf traits	DIRECT CALF TRAITS	DIREKTE KALF EIENSKAPPE	Kalf eienskappe
Daughter traits	DAUGHTER TRAITS	DOGTER EIENSKAPPE	Dogter eienskappe
Growth traits	GROWTH	GROEI	Groei eienskappe
Efficiency traits	EFF	DOEL	Doeltreffendheids eienskappe
Reproduction traits	REPRODUCTION	REPRODUKSIE	Reproduksie eienskappe
Body measurements	MEASURE	MATES	Liggaamsmates
Lot number	Lot	Lot	Lotnommer
Ratio	R:	V:	Verhouding
Identification number	ID	ID	Identifikasienommer
Generation/Section of Herdbook	Gen	Gen	Generasie/Afdeling van kuddeboek
Weight in kilogram	Wgt kg	Gew kg	Gewig in kilogram
Index	Ind	Ind	Indeks
Accuracy of breeding value	Acc	Akk	Akkuraatheid van teelwaarde
Birth direct (kg)	Birth Dir	Geb Dir	Geboorte direk (kg)
Birth maternal (kg)	Birth Mat	Geb Mat	Geboorte maternaal (kg)
Wean direct (kg)	Wean Dir	Speen Dir	Speen direk (kg)
Wean maternal (kg)	Wean Mat	Speen Mat	Speen maternaal (kg)
Mature weight (kg)	Mature Wgt	Volw Gew	Volwasse gewig (kg)
365 Days (kg)	365d	365d	365 Dae (kg)
540 Days (kg)	540d	540d	540 Dae (kg)
Average daily gain (g/day)	ADG	GDT	Gemiddelde daaglikse toename (g/dag)
Feed conversion ratio	FCR	VOV	Voeromsetverhouding
Scrotal circumference (mm)	SC	SO	Skrotum omvang (mm)
Age First Calving	AFC	OEK	Ouderdom Eerste Kalwing
Inter Calving Period	ICP	TKP	Tussen Kalf Periode
Height (mm)	Hgt	Hgt	Hoogte (mm)
Length (mm)	Lgt	Lgt	Lengte (mm)
Length : Height ratio	LHR	HLV	Lengte : Hoogte verhouding
Birth weight : Cow weight ratio	BWR	GGV	Geboortegewig : Koeigewig verhouding
Wean weight : Cow weight ratio	WWR	SGV	Speengewig : Koeigewig verhouding
Age in years and months / Number of calvings	Age / Calv	Oud / Kalw	Ouderdom in jare en maande / Aantal kalwings
Average Wean index / Number of calves	Ave WI / Calf	Gem SI / Kalf	Gemiddelde Speenindeks / Aantal kalwers
Reproduction index	R.I.	R.I.	Reproduksie Indeks
Polled	Polled	Poena	Poena
Post Wean 365 days & Post Wean 540 days	PW365 & PW540	NS365 & NS540	Naspeen 365 dae & Naspeen 540 dae
Growth test & Growth test group	GT & GTg	GT & GTg	Groei Toets & Groeitoets groep
Central test	CT	ST	Sentrale toets
Parentage Verification	PV	OV	Ouerskap Verifikasie
Sire Verification	SV	VV	Vaderskap Verifikasie
Dam Verification	DV	MV	Moederskap Verifikasie
Genomically Tested	GT	GT	Genomies Getoets
Homozygous Polled (Celtic Test)	PP(c)	PP(c)	Homosigoties Poena (Celtic Toets)
Heterozygous Polled (Celtic Test)	Pp(c)	Pp(c)	Heterosigoties Poena (Celtic Toets)

FEMALE ANIMALS


Lot	Seller	ID	PARENTS	Test	Breeding Value Indexes											Days Open	Breeder Own Remarks												
					DIRECT CALF TRAITS		DAUGHTER TRAITS			GROWTH		EFF.	REP	MEASURE-MENTS				R:											
		POLLED		SIRE		Genomic Tested		Birth Dir		Wean Dir		Birth Mat		Wean Mat		Mat Wgt		Post Wean		ADG	FCR	SC	Hgt	Lgt	LHR				
		Gen		DAM		DNA		Acc		Acc		Acc		Acc		Acc		Acc		Acc	Acc	Acc	Acc	Acc	Acc	BWR			
				GV		PV		Birth Date		Wgt kg		Wgt kg		Ind		kg		kg		kg		365d Ind	540d Ind	Ind	Ind	(mm)	(mm)	(mm)	WWR

Pregnant Cows


82	ARTHUR DE VILLIERS & SEUN	AG 160131	CEF 100450	PW540	114	95	97	93	94	102	100	98	101	92	95	-	474		
			<input checked="" type="checkbox"/>																
			AG 130179	DNA	-0.40	10.9	-0.05	2.0	4.0	22.9	97	-47	10.8	-5	7	8.11	4.7		
83	ARTHUR DE VILLIERS & SEUN	AG 160345	AG 120720	PW540	107	101	115	96	93	99	99	101	96	94	95	-	480		
			<input checked="" type="checkbox"/>																
			AG 090498	DNA	0.30	13.8	-0.86	2.8	3.0	21.0	93	-56	6.7	-4	7	6.4	4.4		
84	ARTHUR DE VILLIERS & SEUN	AG 160417	AG 110215	PW540	98	113	118	99	98	111	109	106	113	100	107	-	481		
			<input checked="" type="checkbox"/>																
			AG 080069	DNA	1.20	19.6	-1.03	3.5	8.0	29.8	141	-68	20.0	2	25	6.73	4.4		
85	ARTHUR DE VILLIERS & SEUN	AG 160114	AG 080409	PW365	102	101	88	88	105	100	95	99	104	88	95	-	489		
			<input checked="" type="checkbox"/>																
			AG 110332	DNA	0.85	13.9	0.35	0.5	15.0	22.1	72	-52	12.9	-9	8	5.96	4.9		
86	ARTHUR DE VILLIERS & SEUN	AG 160461	AG 110215	PW540	93	116	117	104	101	111	111	102	126	108	112	-	453		
			<input checked="" type="checkbox"/>																
			AG 100272	DNA	1.71	21.0	-0.95	5.1	11.0	29.6	148	-58	31.1	8	31	7.91	4.4		
87	ARTHUR DE VILLIERS & SEUN	GZV 160141	AG 120556	PW540	90	100	90	97	110	97	95	96	97	83	95	-	498		
			<input checked="" type="checkbox"/>																
			GZV 130009	DNA	2.09	13.2	0.26	3.1	21.0	19.6	73	-44	7.5	-12	8	-	4.2		

1.03	13.4	-0.19	3.9	10	21.8	97	-53	9.8	1	14
------	------	-------	-----	----	------	----	-----	-----	---	----


Lot 82

<p>AG 160131 SPN Mat. 93 AFC 28 ICP 391 RI 114 Age/Calv. 3/2 Avg. WI/Calf 97/2</p>	<p>CEF 100450 SPN Mat. 107</p> 	<p>CEF 080439 SPN Mat. 90</p> <p>CEF 080019 AFC 30 SPN Mat. 117 ICP 363 Age/Calv. 10/9 Avg. WI/Calf 101/8</p> <p>JPL 090116 P SPN Mat. 67</p> <p>GZV 110053 AFC 23 SPN Mat. 89 ICP 378 Age/Calv. 9/8 Avg. WI/Calf 100/6</p>	<p>CEF 040458 SPN Mat. 94</p> <p>CEF 010198 SPN Mat. 84</p> <p>VV 040046 SPN Mat. 114</p> <p>CEF 010036 SPN Mat. 134</p> <p>GJN 060212 SPN Mat. 73</p> <p>JPL 070039 P SPN Mat. 57</p> <p>GZV 080367 SPN Mat. 81</p> <p>GZV 060255 SPN Mat. 91</p>
---	--	---	--


Lot 83

<p>AG 160345 SPN Mat. 96 AFC 25 ICP 390 RI 121 Age/Calv. 3/2 Avg. WI/Calf 97/2</p>	<p>AG 120720 SPN Mat. 102</p> 	<p>LAR 060034 SPN Mat. 110</p> <p>AG 080845 AFC 36 SPN Mat. 102 ICP 457 Age/Calv. 7/4 Avg. WI/Calf 107/2</p> <p>LAR 040233 SPN Mat. 86</p> <p>AG 090498 AFC 36 SPN Mat. 96 ICP 448 Age/Calv. 8/5 RI 95 Avg. WI/Calf 100/5</p>	<p>LAR 020101 SPN Mat. 92</p> <p>LAR 980130 SPN Mat. 111</p> <p>MMJ 030052 SPN Mat. 117</p> <p>AG 990322 SPN Mat. 91</p> <p>LAR 000084 SPN Mat. 102</p> <p>LAR 960212 SPN Mat. 87</p> <p>AG 960059 SPN Mat. 110</p> <p>AG 900175 SPN Mat. 109</p>
---	---	---	---


Lot 84

<p>AG 160417 SPN Mat. 99 AFC 24 ICP 390 RI 122 Age/Calv. 3/2 Avg. WI/Calf 99/2</p>	<p>AG 110215 SPN Mat. 95</p>  <p>Elite-Gold</p>	<p>VV 070012 SPN Mat. 110 Gold Elite-Gold</p> <p>AG 020297 AFC 23 SPN Mat. 89 ICP 413 Age/Calv. 11/9 Avg. WI/Calf 108/9</p> <p>AG 020251 SPN Mat. 121 Gold</p> <p>AG 960246 AFC 36 SPN Mat. 96 ICP 422 Age/Calv. 16/12 Avg. WI/Calf 100/11</p>	<p>VV 040046 SPN Mat. 114</p> <p>VV 040214 SPN Mat. 112</p> <p>AG 960184 SPN Mat. 112</p> <p>AG 930179 SPN Mat. 75</p> <p>AG 980338 SPN Mat. 86</p> <p>AG 950206 SPN Mat. 126</p> <p>AG 920282 SPN Mat. 112</p> <p>AG C 0002 SPN Mat. 101</p>
---	--	---	---


Lot 85

<p>AG 160114 P SPN Mat. 88 AFC 29 ICP 419 RI 109 Age/Calv. 4/2 Avg. WI/Calf 96/2</p>	<p>AG 080409 SPN Mat. 69</p>  <p>Elite-Gold</p>	<p>LAR 030398 SPN Mat. 70</p> <p>AG 020165 AFC 30 SPN Mat. 110 ICP 422 Age/Calv. 15/12 Avg. WI/Calf 101/12</p> <p>AG 090094 SPN Mat. 95</p> <p>AG 110332 AFC 23 SPN Mat. 114 ICP 374 Age/Calv. 9/8 RI 118 Avg. WI/Calf 107/7</p>	<p>LAR 010297 SPN Mat. 72</p> <p>LAR 990031 SPN Mat. 85</p> <p>AG 960059 SPN Mat. 110</p> <p>AG 930026 SPN Mat. 95</p> <p>WBB 070035 SPN Mat. 95</p> <p>AG 020194 SPN Mat. 74</p> <p>MRW 040198 P SPN Mat. 82</p> <p>AG 070013 SPN Mat. 102</p>
---	--	--	---

Lot 86

<p>AG 160461 SPN Mat. 104 AFC 24 ICP 413 RI 120 Age/Calv. 3/2 Avg. WI/Calf 106/2</p>	<p>AG 110215 SPN Mat. 95</p> 	<p>VV 070012 SPN Mat. 110 Gold Elite-Gold</p> <p>AG 020297 AFC 23 SPN Mat. 89 ICP 413 Age/Calv. 11/9 Avg. WI/Calf 108/9</p> <p>FCT 060109 SPN Mat. 113</p> <p>AG 990228 AFC 28 SPN Mat. 110 ICP 387 Age/Calv. 14/12 Avg. WI/Calf 105/12</p>	<p>VV 040046 SPN Mat. 114</p> <p>VV 040214 SPN Mat. 112</p> <p>AG 960184 SPN Mat. 112</p> <p>AG 930179 SPN Mat. 75</p> <p>FCT 040101 SPN Mat. 90</p> <p>FCT 980024 SPN Mat. 110</p> <p>HJL 960006 SPN Mat. 88</p> <p>AG 970162 SPN Mat. 97</p>
---	--	---	--


Lot 87

<p>GZV 160141 SPN Mat. 97 AFC 34 ICP RI 96 Age/Calv. 3/1 Avg. WI/Calf 93/1</p>	<p>AG 120556 SPN Mat. 77</p> 	<p>AG 080409 SPN Mat. 69</p> <p>AG 090586 AFC 35 SPN Mat. 95 ICP 370 Age/Calv. 6/4 Avg. WI/Calf 98/4</p> <p>AG 090483 SPN Mat. 99</p> <p>GZV 130009 AFC 33 SPN Mat. 116 ICP 378 Age/Calv. 5/3 RI 107 Avg. WI/Calf 113/3</p>	<p>LAR 030398 SPN Mat. 70</p> <p>AG 020165 SPN Mat. 110</p> <p>AG 050263 SPN Mat. 113</p> <p>AG 050581 SPN Mat. 102</p> <p>FCT 060109 SPN Mat. 113</p> <p>AG 060123 SPN Mat. 97</p> <p>VV 050036 SPN Mat. 87</p> <p>GZV 050140 SPN Mat. 99</p>
---	--	---	--


VROULIKE DIERE

Lot	Verkoper	ID	POENA	Gen	OEUERS		Toets	Teelwaarde indekse										Dae Oop	Oud	Kalwers	Gebruiker Eie Opmerkings
					VADER GV OV	MOEDER GV OV		Geb Dir	Speen Dir	Geb Mat	Speen Mat	Volw Gew	Naspeen	GDT	VOV	SO	Hgt				


Lot 88

<p>AG 110189 SPN Mat. 75 OEK 37 TKP 439 RI 96 Oud/Kalw. 9/6 Gem. SI/Kalf 99/4</p>		<p>AG 070742 SPN Mat. 76</p> <p>AG 070354 SPN Mat. 69 Oud/Kalw. 12/11 Gem. SI/Kalf 96/11</p>	<p>WAT 030085 SPN Mat. 96</p> <p>AG 030216 OEK 25 SPN Mat. 105 TKP 373 Oud/Kalw. 13/12 Gem. SI/Kalf 106/12</p> <p>AG 030205 SPN Mat. 84</p> <p>AG 030272 OEK 23 SPN Mat. 83 TKP 380 Oud/Kalw. 12/11 Gem. SI/Kalf 96/11</p>	<p>WAT 000200 SPN Mat. 113 WAT 980109 SPN Mat. 112 AG 980200 SPN Mat. 101 AG 980133 SPN Mat. 91 AG 980338 SPN Mat. 86 AG 960246 SPN Mat. 96 FAN 000010 SPN Mat. 103 AG 010158 SPN Mat. 78</p>
--	---	--	--	---


Lot 89

<p>AG 110430 SPN Mat. 105 OEK 36 TKP 376 RI 107 Oud/Kalw. 9/7 Gem. SI/Kalf 102/6</p>		<p>AG 070138 SPN Mat. 106</p> <p>AG 050149 SPN Mat. 89 Oud/Kalw. 6/5 Gem. SI/Kalf 93/5</p>	<p>AG 010258 SPN Mat. 97</p> <p>AG 980250 OEK 35 SPN Mat. 126 TKP 443 Oud/Kalw. 15/11 Gem. SI/Kalf 106/10</p> <p>AG 000100 SPN Mat. 91</p> <p>AG 030120 OEK 24 SPN Mat. 124 TKP 375 Oud/Kalw. 7/6 Gem. SI/Kalf 106/6</p>	<p>AG 980338 SPN Mat. 86 AG 950251 SPN Mat. 108 AG 950059 SPN Mat. 102 AG 940258 SPN Mat. 110 AG 970264 SPN Mat. 62 AG 980128 SPN Mat. 105 AG 000010 SPN Mat. 125 AG 000106 SPN Mat. 104</p>
---	---	--	--	--


Lot 90

<p>AG 110211 SPN Mat. 90 OEK 23 TKP 369 RI 119 Oud/Kalw. 9/8 Gem. SI/Kalf 101/8</p>		<p>AG 060401 SPN Mat. 78</p> <p>AG 050168 SPN Mat. 79 Oud/Kalw. 9/7 Gem. SI/Kalf 91/7</p>	<p>AG 010245 SPN Mat. 70</p> <p>AG 960278 OEK 26 SPN Mat. 96 TKP 415 Oud/Kalw. 17/14 Gem. SI/Kalf 100/12</p> <p>AG 000100 SPN Mat. 91</p> <p>AG 030284 OEK 23 SPN Mat. 88 TKP 368 Oud/Kalw. 8/7 Gem. SI/Kalf 96/6</p>	<p>AG 980338 SPN Mat. 86 AG 960015 SPN Mat. 80 AG J 0008 SPN Mat. 88 AG 940027 SPN Mat. 112 AG 970264 SPN Mat. 62 AG 980128 SPN Mat. 105 AG 990153 SPN Mat. 70 AG 990231 SPN Mat. 129</p>
--	---	---	---	---


Lot 91

<p>AG 110332 SPN Mat. 114 OEK 23 TKP 374 RI 118 Oud/Kalw. 9/8 Gem. SI/Kalf 107/7</p>		<p>AG 090094 SPN Mat. 95</p> <p>AG 090150 SPN Mat. 108 Oud/Kalw. 11/9 Gem. SI/Kalf 104/7</p>	<p>WBB 070035 SPN Mat. 95</p> <p>AG 020194 OEK 25 SPN Mat. 74 TKP 374 Oud/Kalw. 14/13 Gem. SI/Kalf 97/11</p> <p>MRW 040198 P SPN Mat. 82</p> <p>AG 070013 OEK 31 SPN Mat. 102 TKP 511 Oud/Kalw. 12/8 Gem. SI/Kalf 105/8</p>	<p>AG 020135 SPN Mat. 124 LMR 030012 SPN Mat. 99 AG 980338 SPN Mat. 86 AG 960249 SPN Mat. 90 JJF 970098 P SPN Mat. 92 MRW 980256 SPN Mat. 85 AG 030205 SPN Mat. 84 AG 030357 SPN Mat. 89</p>
---	---	--	---	--

Lot 92

<p>AG 110070 SPN Mat. 117 OEK 31 TKP 437 RI 102 Oud/Kalw. 10/7 Gem. SI/Kalf 105/7</p>		<p>FCT 060109 SPN Mat. 113</p> <p>AG 040372 SPN Mat. 93 Oud/Kalw. 13/11 Gem. SI/Kalf 100/10</p>	<p>FCT 040101 SPN Mat. 90</p> <p>FCT 980024 OEK 30 SPN Mat. 110 TKP 362 Oud/Kalw. 11/10 Gem. SI/Kalf 100/10</p> <p>AG 020145 SPN Mat. 92 Goud</p> <p>AG 950083 OEK 36 SPN Mat. 94 TKP 415 Oud/Kalw. 15/12 Gem. SI/Kalf 102/11</p>	<p>BG 960125 SPN Mat. 101 FCT 020046 SPN Mat. 109 ROM 920141 SPN Mat. 107 RE 910118 SPN Mat. 116 AG 980338 SPN Mat. 86 AG 950012 SPN Mat. 120 AG 910138 SPN Mat. 73 AG 910205 SPN Mat. 110</p>
--	---	---	---	--

Lot 93

<p>AG 110445 SPN Mat. 95 OEK 24 TKP 424 RI 109 Oud/Kalw. 9/7 Gem. SI/Kalf 96/6</p>		<p>PAD 070100 SPN Mat. 99</p> <p>BZ 030125 SPN Mat. 100 Oud/Kalw. 14/12 Gem. SI/Kalf 102/11</p>	<p>EI 040038 SPN Mat. 91</p> <p>AG 910197 OEK 25 SPN Mat. 113 TKP 391 Oud/Kalw. 17/15 Gem. SI/Kalf 100/15</p> <p>JDB 990028 SPN Mat. 85</p> <p>DB 970001 OEK 30 SPN Mat. 83 TKP 428 Oud/Kalw. 10/7 Gem. SI/Kalf 91/5</p>	<p>EI 980080 SPN Mat. 88 EI 990057 SPN Mat. 100 AG J 0008 SPN Mat. 88 AG H 0036 SPN Mat. 113 AG 940016 SPN Mat. 98 JIK L 0026 SPN Mat. 92 CBB 920037 SPN Mat. 68 DB 950001 SPN Mat. 92</p>
---	---	---	--	--

FEMALE ANIMALS


Lot	Seller	ID	PARENTS	Test	Breeding Value Indexes											Days Open	Breeder Own Remarks						
					SIRE GV PV	Genomic Tested	Birth Dir		Wean Dir		Birth Mat	Wean Mat	Mat Wgt	Post Wean				ADG	FCR	SC	Hgt	Lgt	LHR
							DNA	Acc	Acc	Acc	Acc	Acc	Acc	Acc	Acc			Acc	Acc	Acc	Acc	Acc	Acc

Pregnant Cows


Lot	Seller	ID	PARENTS	Test	Birth Dir	Wean Dir	Birth Mat	Wean Mat	Mat Wgt	Post Wean		ADG	FCR	SC	Hgt	Lgt	LHR	Days Open	Breeder Own Remarks
										365d Ind	540d Ind								
94	ARTHUR DE VILLIERS & SEUN	AG 160411 SP	AG 090751 <input checked="" type="checkbox"/>	PW540	91	102	119	104	98	93	93	98	87	84	93	-	447		
				DNA	1.94	14.3	-1.04	5.1	8.0	17.0	65	-48	-0.6	-12	4	6.55	4.4		
				AG 050317 <input checked="" type="checkbox"/>	23.10.16	81	76	70	65	52	71	54	34	56	56	55	35.1	2	
95	ARTHUR DE VILLIERS & SEUN	AG 160237 P SP	AG 130115 <input checked="" type="checkbox"/>	PW540	115	84	100	99	67	87	95	93	93	95	97	-	288		
				DNA	-0.58	5.9	-0.19	3.5	-27.0	12.6	74	-35	4.3	-3	10	10.3	4.5		
				AG 130148 <input checked="" type="checkbox"/>	22.09.16	79	74	65	64	40	68	35	22	37	37	37	-	2	
96	ARTHUR DE VILLIERS & SEUN	AG 160097 P SP	AG 130115 <input checked="" type="checkbox"/>	PW365	114	88	111	91	86	93	96	93	87	96	98	-	471		
				DNA	-0.42	7.9	-0.69	1.3	-6.0	17.0	78	-36	-0.5	-2	12	7.33	5		
				AG 100412 <input checked="" type="checkbox"/>	22.03.16	79	74	65	64	47	62	39	23	41	41	41	-	2	
97	ARTHUR DE VILLIERS & SEUN	AG 160266 SP	AG 100438 <input checked="" type="checkbox"/>	PW540	92	93	113	85	91	86	92	91	104	84	92	-	499		
				DNA	1.87	10.3	-0.80	-0.2	0.0	11.9	58	-31	13.1	-12	4	7.73	4.5		
				AG 120290 <input checked="" type="checkbox"/>	28.09.16	78	73	60	56	43	68	48	26	50	51	50	44.1	1	
98	ARTHUR DE VILLIERS & SEUN	AG 160156 SP	CEF 100450 <input checked="" type="checkbox"/>	PW540	93	113	98	102	101	115	108	104	104	100	107	-	507		
				DNA	1.73	19.5	-0.08	4.6	11.0	32.5	135	-64	13.2	2	24	8.5	4.6		
				AG 130364 <input checked="" type="checkbox"/>	14.08.16	79	72	65	55	43	67	49	18	52	52	52	-	2	
99	ARTHUR DE VILLIERS & SEUN	AG 160962 SP	AG 100438 <input checked="" type="checkbox"/>	PW540	101	98	113	100	101	96	93	94	108	89	97	-	241		
				DNA	0.94	12.3	-0.79	4.0	11.0	19.0	62	-37	16.6	-8	10	6.2	4.2		
				MGH 130104 <input checked="" type="checkbox"/>	21.12.16	80	75	65	64	51	70	45	26	48	48	47	-	2	

1.03	13.4	-0.19	3.9	10	21.8	97	-53	9.8	1	14
------	------	-------	-----	----	------	----	-----	-----	---	----


Lot 94

<p>AG 160411 SPN Mat. 104 AFC 25 ICP 404 RI 120 Age/Calv. 3/2 Avg. WI/Calf 109/2</p>	<p>AG 090751 SPN Mat. 109</p> 	<p>AG 050317 SPN Mat. 104 Age/Calv. 14/12 Avg. WI/Calf 100/12</p>	<p>AG 980250 AFC 35 ICP 443 SPN Mat. 126 Age/Calv. 15/11 Avg. WI/Calf 106/10</p>	<p>AG 980012 SPN Mat. 67</p>	<p>AG 950151 SPN Mat. 124 Age/Calv. 14/11 Avg. WI/Calf 108/11</p>	<p>AG 950059 SPN Mat. 102 AG 940258 SPN Mat. 110 TBR 910704 SPN Mat. 76 AG 950167 SPN Mat. 92 AG L 0157 SPN Mat. 97 AG Y 0013 SPN Mat. 128</p>	<p>CEF 020328 SPN Mat. 89 CEF 950055 SPN Mat. 84 AG 950059 SPN Mat. 102 AG 940258 SPN Mat. 110 TBR 910704 SPN Mat. 76 AG 950167 SPN Mat. 92 AG L 0157 SPN Mat. 97 AG Y 0013 SPN Mat. 128</p>
---	---	---	--	--	---	---	---


Lot 95

<p>AG 160237 P SPN Mat. 99 AFC 33 ICP 346 RI 106 Age/Calv. 4/2 Avg. WI/Calf 93/1</p>	<p>AG 130115 PP(c) SPN Mat. 99</p> 	<p>AG 130148 SPN Mat. 104 Age/Calv. 7/5 Avg. WI/Calf 104/4</p>	<p>MCU 070007 P SPN Mat. 97</p>	<p>MCU 100005 P AFC 38 ICP 400 SPN Mat. 109 Age/Calv. 10/7 Avg. WI/Calf 103/7</p>	<p>AG 110354 SPN Mat. 89 Age/Calv. 8/7 Avg. WI/Calf 98/6</p>	<p>JPL 040139 P SPN Mat. 81 MCU 030040 P SPN Mat. 137 MCU 060034 P SPN Mat. 124 MCU 050023 SPN Mat. 78 AG 020338 SPN Mat. 110 LMR 040059 SPN Mat. 109 PAD 070093 SPN Mat. 101 AG 090064 SPN Mat. 84</p>
---	--	--	---	---	--	--


Lot 96

<p>AG 160097 P SPN Mat. 91 AFC 31 ICP 417 RI 106 Age/Calv. 4/2 Avg. WI/Calf 102/2</p>	<p>AG 130115 PP(c) SPN Mat. 99</p> 	<p>AG 100412 SPN Mat. 84 Age/Calv. 5/4 Avg. WI/Calf 102/4</p>	<p>MCU 070007 P SPN Mat. 97</p>	<p>MCU 100005 P AFC 38 ICP 400 SPN Mat. 109 Age/Calv. 10/7 Avg. WI/Calf 103/7</p>	<p>AG 070111 SPN Mat. 68</p>	<p>AG 990204 SPN Mat. 87 Age/Calv. 14/13 Avg. WI/Calf 100/13</p>	<p>JPL 040139 P SPN Mat. 81 MCU 030040 P SPN Mat. 137 MCU 060034 P SPN Mat. 124 MCU 050023 SPN Mat. 78 AG 030029 SPN Mat. 68 AG 020134 SPN Mat. 99 AG 960318 SPN Mat. 62 AG 960278 SPN Mat. 96</p>
--	--	---	---	---	--	--	---


Lot 97

<p>AG 160266 SPN Mat. 85 AFC 37 ICP RI 87 Age/Calv. 3/1 Avg. WI/Calf 93/1</p>	<p>AG 100438 SPN Mat. 107</p> 	<p>AG 120290 SPN Mat. 64 Age/Calv. 5/3 Avg. WI/Calf 92/3</p>	<p>CSW 010014 SPN Mat. 94</p>	<p>AG 990115 AFC 30 ICP 403 SPN Mat. 119 Age/Calv. 14/11 Avg. WI/Calf 102/11</p>	<p>AG 070742 SPN Mat. 76</p>	<p>AG 050377 SPN Mat. 70 Age/Calv. 14/12 Avg. WI/Calf 96/11</p>	<p>BG 960125 SPN Mat. 101 CSW 980048 SPN Mat. 112 AG 920046 SPN Mat. 123 AG 900105 SPN Mat. 104 WAT 030085 SPN Mat. 96 AG 030216 SPN Mat. 105 AEJ 010189 SPN Mat. 61 AG 940006 SPN Mat. 91</p>
--	---	--	---	--	--	---	---




Lot 98

<p>AG 160156 SPN Mat. 102 AFC 26 ICP 364 RI 119 Age/Calv. 3/2 Avg. WI/Calf 99/2</p>	<p>CEF 100450 SPN Mat. 107</p> 	<p>AG 130364 SPN Mat. 103 Age/Calv. 7/5 Avg. WI/Calf 107/4</p>	<p>CEF 080439 SPN Mat. 90</p>	<p>CEF 080019 AFC 30 ICP 363 SPN Mat. 117 Age/Calv. 10/9 Avg. WI/Calf 101/8</p>	<p>AG 080407 SPN Mat. 75</p>	<p>Elite-Gold AG 090150 SPN Mat. 108 Age/Calv. 11/9 Avg. WI/Calf 104/7</p>	<p>CEF 040458 SPN Mat. 94 CEF 010198 SPN Mat. 84 VV 040046 SPN Mat. 114 CEF 010036 SPN Mat. 134 AG 030029 SPN Mat. 68 AG 030347 SPN Mat. 85 MRW 040198 P SPN Mat. 82 AG 070013 SPN Mat. 102</p>
--	--	--	---	---	--	---	--




Lot 99

<p>AG 160962 SPN Mat. 100 AFC 30 ICP 394 RI 109 Age/Calv. 4/2 Avg. WI/Calf 98/1</p>	<p>AG 100438 SPN Mat. 107</p> 	<p>MGH 130104 SPN Mat. 90 Age/Calv. 6/4 Avg. WI/Calf 105/3</p>	<p>CSW 010014 SPN Mat. 94</p>	<p>AG 990115 AFC 30 ICP 403 SPN Mat. 119 Age/Calv. 14/11 Avg. WI/Calf 102/11</p>	<p>AG 080455 SPN Mat. 84</p>	<p>MGH 060069 SPN Mat. 87 Age/Calv. 9/7 Avg. WI/Calf 101/7</p>	<p>BG 960125 SPN Mat. 101 CSW 980048 SPN Mat. 112 AG 920046 SPN Mat. 123 AG 900105 SPN Mat. 104 LAR 030398 SPN Mat. 70 AG 020180 SPN Mat. 95 AG J 0008 SPN Mat. 88 HJB 030317 SPN Mat. 104</p>
--	---	--	---	--	--	--	---




Lot 100

<p>AG 110065 SPN Mat. 98 OEK 30 TKP 366 RI 114 Oud/Kalw. 10/8 Gem. Si/Kalf 103/8</p>		<p>AG 060027 SPN Mat. 89</p> <p>OEK 24 TKP 392 RI 113</p>		<p>LAR 010176 SPN Mat. 80</p> <p>OEK 25 TKP 404</p> <p>AG 020147 SPN Mat. 125 Oud/Kalw. 13/11 Gem. Si/Kalf 110/11</p> <p>AG 920046 SPN Mat. 123</p> <p>AG N 0045 SPN Mat. 104 Oud/Kalw. 13/12 Gem. Si/Kalf 106/12</p>		<p>AG 970048 SPN Mat. 87 LAR 980262 SPN Mat. 92 AG 980200 SPN Mat. 101 AG 990256 SPN Mat. 138 JRB H 0247 SPN Mat. 124 AG N 0171 SPN Mat. 111 AG J 0008 SPN Mat. 88 AG H 0061 SPN Mat. 85</p>
---	---	--	---	---	---	--




Lot 101

<p>AG 110220 SPN Mat. 121 OEK 24 TKP 434 RI 108 Oud/Kalw. 9/7 Gem. Si/Kalf 106/7</p>		<p>FCT 060109 SPN Mat. 113</p> <p>OEK 31 TKP 404 RI 107</p>		<p>FCT 040101 SPN Mat. 90</p> <p>OEK 30 TKP 362</p> <p>FCT 980024 SPN Mat. 110 Oud/Kalw. 11/10 Gem. Si/Kalf 100/10</p> <p>AG 040310 SPN Mat. 118</p> <p>AG 080051 SPN Mat. 128 Oud/Kalw. 11/9 Gem. Si/Kalf 109/8</p>		<p>BG 960125 SPN Mat. 101 FCT 020046 SPN Mat. 109 ROM 920141 SPN Mat. 107 RE 910118 SPN Mat. 116 AG 020251 SPN Mat. 121 AG 930063 SPN Mat. 98 AG 920046 SPN Mat. 123 AG L 0098 SPN Mat. 103</p>
---	---	--	---	--	---	---




Lot 102

<p>AG 110194 SPN Mat. 124 OEK 24 TKP 367 RI 118 Oud/Kalw. 9/8 Gem. Si/Kalf 105/7</p>		<p>FCT 060109 SPN Mat. 113</p> <p>OEK 31 TKP 381 RI 111</p>		<p>FCT 040101 SPN Mat. 90</p> <p>OEK 30 TKP 362</p> <p>FCT 980024 SPN Mat. 110 Oud/Kalw. 11/10 Gem. Si/Kalf 100/10</p> <p>AG 040158 SPN Mat. 109</p> <p>BZ 010096 SPN Mat. 119 Oud/Kalw. 15/9 Gem. Si/Kalf 106/8</p>		<p>BG 960125 SPN Mat. 101 FCT 020046 SPN Mat. 109 ROM 920141 SPN Mat. 107 RE 910118 SPN Mat. 116 AG 980338 SPN Mat. 86 AG 990187 SPN Mat. 116 JJF 950071 SPN Mat. 127 FDEV950085 SPN Mat. 86</p>
---	---	--	---	--	---	--



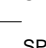
Lot 103

<p>AG 110376 SPN Mat. 112 OEK 24 TKP 426 RI 109 Oud/Kalw. 9/7 Gem. Si/Kalf 102/7</p>		<p>PAD 070064 SPN Mat. 119</p> <p>OEK 23 TKP 382 RI 115</p>		<p>EI 040038 SPN Mat. 91</p> <p>OEK 34 TKP 526</p> <p>AG 040401 SPN Mat. 86</p> <p>AG 040112 SPN Mat. 74 Oud/Kalw. 3/2 Gem. Si/Kalf 92/1</p>		<p>EI 980080 SPN Mat. 88 EI 990057 SPN Mat. 100 BG 960125 SPN Mat. 101 CSW 990091 SPN Mat. 108 AG 020145 SPN Mat. 92 AG 980133 SPN Mat. 91 AG 990153 SPN Mat. 70 AG 010119 SPN Mat. 81</p>
---	---	--	---	---	---	--

Lot 104

<p>AG 110407 SPN Mat. 98 OEK 23 TKP 369 RI 119 Oud/Kalw. 9/8 Gem. Si/Kalf 103/8</p>		<p>PAD 070100 SPN Mat. 99</p> <p>OEK 33 TKP 401 RI 106</p>		<p>EI 040038 SPN Mat. 91</p> <p>OEK 25 TKP 391</p> <p>AG 910197 SPN Mat. 113 Oud/Kalw. 17/15 Gem. Si/Kalf 100/15</p> <p>HJB 000391 SPN Mat. 122</p> <p>HJB 970251 SPN Mat. 71 Oud/Kalw. 14/12 Gem. Si/Kalf 94/12</p>		<p>EI 980080 SPN Mat. 88 EI 990057 SPN Mat. 100 AG J 0008 SPN Mat. 88 AG H 0036 SPN Mat. 113 LA 900195 SPN Mat. 102 IVY 900014 SPN Mat. 109 HJL 940147 SPN Mat. 105 HES 910005 SPN Mat. 83</p>
--	---	---	---	--	---	--

Lot 105

<p>AG 110039 SPN Mat. 111 OEK 36 TKP 405 RI 102 Oud/Kalw. 10/7 Gem. Si/Kalf 103/6</p>		<p>FCT 060109 SPN Mat. 113</p> <p>OEK 24 TKP 401 RI 113</p>		<p>FCT 040101 SPN Mat. 90</p> <p>OEK 30 TKP 362</p> <p>FCT 980024 SPN Mat. 110 Oud/Kalw. 11/10 Gem. Si/Kalf 100/10</p> <p>AG 980338 SPN Mat. 86</p> <p>AG 030176 SPN Mat. 94 Oud/Kalw. 9/7 Gem. Si/Kalf 96/7</p>		<p>BG 960125 SPN Mat. 101 FCT 020046 SPN Mat. 109 ROM 920141 SPN Mat. 107 RE 910118 SPN Mat. 116 AG 930210 SPN Mat. 103 AG 920184 SPN Mat. 102 AG 910130 SPN Mat. 93 AG 900246 SPN Mat. 104</p>
--	---	--	---	--	---	---

FEMALE ANIMALS

Lot	Seller	ID	PARENTS	Test	Breeding Value Indexes											Days Open	Breeder Own Remarks		
					DIRECT CALF TRAITS		DAUGHTER TRAITS			GROWTH		EFF.	REP	MEASURE-MENTS				R:	
					Progeny Birth Weight	Progeny Wean Weight	Ease of Calving	Milk prod.	Mature Weight	Post Wean Weight	Daily Gain	Feed Conv			Height & Length				
POLLED	Gen	SIRE GV PV	DAM GV PV	Genomic Tested	Birth Dir	Wean Dir	Birth Mat	Wean Mat	Mat Wgt	Post Wean	ADG	FCR	SC	Hgt	Lgt	LHR	Age		
				DNA	Acc	Acc	Acc	Acc	Acc	Acc	Acc	Acc	Acc	Acc	Acc	Acc		Acc	BWR
				Birth Date	Wgt kg	Wgt kg	Ind	kg	kg	kg	365d Ind	540d Ind	Ind	Ind	Ind	(mm)		(mm)	(mm)



Pregnant Cows

106	ARTHUR DE VILLIERS & SEUN	AG 110287	VV 080492	PW365	105	108	95	96	79	110	107	106	100	96	104	-	124
			AG 090398	DNA	0.49	17.0	0.02	2.8	-13.0	28.8	129	-68	10.0	-2	20	7.3	9.4
			SP	11.10.11	27												
107	ARTHUR DE VILLIERS & SEUN	AG 170913	ADV 070154	PW540	94	96	103	97	81	98	92	91	95	88	96	-	483
			AG 120270	DNA	1.64	11.3	-0.35	3.2	-11.0	20.6	61	-31	5.5	-8	9	-	3.3
			SP	11.11.17	34												
108	ARTHUR DE VILLIERS & SEUN	AG 170818	AG 120070	PW540	91	98	117	117	85	99	105	104	105	88	94	-	485
			AG 110352	DNA	1.95	12.6	-0.96	8.7	-7.0	21.4	121	-63	13.6	-9	6	-	3.4
			SP	28.10.17	37												
109	ARTHUR DE VILLIERS & SEUN	AG 120295	AG 070176	PW540	93	101	112	99	105	104	99	100	96	88	100	-	470
			AG 080786	DNA	1.78	14.0	-0.73	3.5	15.0	24.7	94	-54	6.8	-8	14	7.25	8.4
			SP	09.10.12	37												
110	ARTHUR DE VILLIERS & SEUN	AG 130230	ADV 100068	PW540	94	120	124	85	92	119	116	108	108	107	113	-	459
			AG 080051	DNA	1.65	22.6	-1.29	-0.3	1.0	35.1	172	-74	16.0	7	32	7.23	7.5
			SP	26.09.13	34												


Cows with Calves

111	ARTHUR DE VILLIERS & SEUN	AG 130449	AG 080454	PW540	93	109	96	93	103	104	104	104	103	94	99	-	BONMAG 200616
			AG 020279	DNA	1.79	17.3	-0.02	1.9	13.0	24.8	116	-65	12.1	-3	13	7.06	10.11.20 (34)
			SP	31.10.13	36												
																	36.6


Lot 106

<p>AG 110287 SPN Mat. 96 AFC 23 ICP 373 RI 118 Age/Calv. 9/8 Avg. WI/Calf 99/8</p>	<p>VV 080492 SPN Mat. 90</p> 	<p>VV 060054 SPN Mat. 100 Gold Elite-Silver</p> 	<p>VV 040282 AFC 35 SPN Mat. 101 ICP 391 Age/Calv. 13/10 Avg. WI/Calf 102/9</p>	<p>VV 030346 SPN Mat. 115 VV 990217 SPN Mat. 97 VV 010388 SPN Mat. 113 VV 010118 SPN Mat. 79 CEF 020328 SPN Mat. 89 CEF 950055 SPN Mat. 84 NFS 950146 P SPN Mat. 125 HJB 000282 SPN Mat. 89</p>


Lot 107

<p>AG 170913 SPN Mat. 97 AFC 24 ICP RI 126 Age/Calv. 2/1 Avg. WI/Calf 101/1</p>	<p>ADV 070154 SPN Mat. 103</p> 	<p>LAR 030398 SPN Mat. 70</p>	<p>ADV 030008 AFC 31 SPN Mat. 123 ICP 377 Age/Calv. 16/13 Avg. WI/Calf 107/11</p>	<p>AG 120270 AFC 38 SPN Mat. 89 ICP 363 Age/Calv. 8/6 RI 107 Avg. WI/Calf 96/5</p>	<p>LAR 010297 SPN Mat. 72 LAR 990031 SPN Mat. 85 AG 980338 SPN Mat. 86 AG 990103 SPN Mat. 104 CSW 030109 SPN Mat. 96 AG 050042 SPN Mat. 101 FCT 060109 SPN Mat. 113 AG 070180 SPN Mat. 86</p>


Lot 108

<p>AG 170818 SPN Mat. 117 AFC 25 ICP RI 125 Age/Calv. 2/1 Avg. WI/Calf 94/1</p>	<p>AG 120070 SPN Mat. 116</p> 	<p>AG 070742 SPN Mat. 76</p>	<p>AG 080719 AFC 24 SPN Mat. 101 ICP 411 Age/Calv. 12/10 Avg. WI/Calf 100/9</p>	<p>WAT 030085 SPN Mat. 96 AG 030216 SPN Mat. 105 LAR 030398 SPN Mat. 70 AG 010257 SPN Mat. 104 CSW 030109 SPN Mat. 96 AG 050042 SPN Mat. 101 CEF 040431 SPN Mat. 88 AG 980005 SPN Mat. 100</p>


Lot 109

<p>AG 120295 SPN Mat. 99 AFC 37 ICP 492 RI 87 Age/Calv. 7/4 Avg. WI/Calf 98/4</p>	<p>AG 070176 SPN Mat. 93</p> 	<p>AG 030029 SPN Mat. 68</p>	<p>AG 020250 AFC 23 SPN Mat. 114 ICP 472 Age/Calv. 8/6 Avg. WI/Calf 103/5</p>	<p>AG 080786 AFC 24 SPN Mat. 108 ICP 421 Age/Calv. 10/8 RI 109 Avg. WI/Calf 106/7</p>	<p>AG 990142 SPN Mat. 91 AG 970109 SPN Mat. 77 AG 980338 SPN Mat. 86 AG 950309 SPN Mat. 109 KTB 960047 SPN Mat. 116 AJF 990292 SPN Mat. 115 AG 980012 SPN Mat. 67 AG 990159 SPN Mat. 104</p>

Lot 110

<p>AG 130230 SPN Mat. 85 AFC 24 ICP 518 RI 102 Age/Calv. 6/4 Avg. WI/Calf 102/4</p>	<p>ADV 100068 SPN Mat. 47</p> 	<p>SYF 070036 SPN Mat. 70</p>	<p>ADV 070142 AFC 30 SPN Mat. 52 ICP 387 Age/Calv. 5/3 Avg. WI/Calf 98/3</p>	<p>AG 020251 SPN Mat. 121 SYF 990070 SPN Mat. 86 LAR 030398 SPN Mat. 70 ADV 040060 SPN Mat. 89 AG 020251 SPN Mat. 121 AG 930063 SPN Mat. 98 AG 920046 SPN Mat. 123 AG L 0098 SPN Mat. 103</p>

Lot 111

<p>AG 130449 SPN Mat. 93 AFC 35 ICP 379 RI 106 Age/Calv. 7/5 Avg. WI/Calf 99/4</p>	<p>AG 080454 SPN Mat. 87</p> 	<p>LAR 030398 SPN Mat. 70</p>	<p>AG 990115 AFC 30 SPN Mat. 119 ICP 403 Age/Calv. 14/11 Avg. WI/Calf 102/11</p>	<p>AG 020279 AFC 28 SPN Mat. 105 ICP 433 Age/Calv. 15/12 RI 103 Avg. WI/Calf 101/11</p>	<p>LAR 010297 SPN Mat. 72 LAR 990031 SPN Mat. 85 AG 920046 SPN Mat. 123 AG 990105 SPN Mat. 104 RCO 910097 SPN Mat. 113 GTH 900043 SPN Mat. 109 AG 910130 SPN Mat. 93 AG 910027 SPN Mat. 99</p>


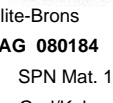
VROULIKE DIERE

Lot	Verkoper	ID	POENA	Gen	OUERS		Toets	Teelwaarde indekse										Kalf ID	Gebruiker Eie Opmerkings	
					VADER GV OV	MOEDER GV OV		Genomies Getoets	Geb Dir	Speen Dir	Geb Mat	Speen Mat	Volwas- se Gewig	Naspeen	GDT	VOV	SO			Hgt
					DNS	Akk	Akk	Akk	Akk	Akk	Akk	Akk	Akk	Akk	Akk	Akk	Akk	GGV	Vaar	
					Geb. dat.	Gew kg	Gew kg	Ind	kg	kg	kg	365dM	540d Ind	Ind	Ind	(mm)	(mm)	(mm)	SGV	GT / POLLED



Koeie met Kalwers

112	ARTHUR DE VILLIERS & SEUN	AG 120495	AG 070361	NS540	115	89	149	68	89	86	88	96	99	68	81	-	BONMAG 200255
			<input checked="" type="checkbox"/>	DNS	-0.53	8.3	-2.44	-5.1	-2.0	11.5	41	-44	9.1	-25	-12	6.6	12.10.20 (19)
			AG 080184	06.11.12	84	79	79	79	59	72	56	29	58	58	57	47.4	BONMAG 160050
113	ARTHUR DE VILLIERS & SEUN	AG 110164	MBT 070136	NS540	79	113	99	106	89	107	96	98	109	95	98	-	BONFAG 200371
			<input checked="" type="checkbox"/>	DNS	3.29	19.4	-0.13	5.5	-2.0	26.9	78	-49	17.0	-3	11	8.98	22.10.20 (33)
			AG 080077	25.09.11	82	78	74	75	56	66	52	45	54	54	53	-	BONMAG 150758
114	ARTHUR DE VILLIERS & SEUN	AG 110091	PAD 070093	NS540	101	97	104	98	73	92	97	94	108	107	104	-	BONMAG 200700
			<input checked="" type="checkbox"/>	DNS	0.95	12.0	-0.39	3.3	-20.0	16.4	83	-38	16.3	7	20	6.18	20.11.20 (45)
			AG 060140	05.03.11	84	79	78	80	54	72	46	20	50	50	49	-	BONMAG 140046
115	ARTHUR DE VILLIERS & SEUN	AG 150760	BPJ 080013	NS365	101	104	97	128	79	104	101	101	103	95	106	-	BONFAG 200230
			<input checked="" type="checkbox"/>	DNS	0.92	15.2	-0.05	11.8	-13.0	24.7	102	-56	12.5	-3	22	9.33	09.10.20 (30)
			AG 130081	25.10.15	81	76	70	71	55	64	49	29	51	52	51	48.1	BONMAG 160239
116	ARTHUR DE VILLIERS & SEUN	AG 150312	AG 120219	NS365	111	98	88	93	109	101	109	103	107	103	110	-	BONMAG 200185
			<input checked="" type="checkbox"/>	DNS	-0.18	12.6	0.35	2.1	20.0	22.6	138	-62	15.3	4	28	5.78	28.09.20 (36)
			AG 120236	27.08.15	79	73	66	67	45	60	37	20	40	41	40	-	BONMAJF 130331
117	ARTHUR DE VILLIERS & SEUN	AG 110108	FCT 060109	NS540	115	93	123	107	79	86	82	83	108	93	98	-	BONMAG 200800
			<input checked="" type="checkbox"/>	DNS	-0.56	9.9	-1.24	5.9	-13.0	12.0	14	-9	16.5	-4	11	5	22.12.20 (34)
			AG 050321	14.03.11	85	81	83	84	66	74	55	30	57	58	57	-	BONMAG 150758


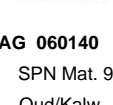
Lot 112

<p>AG 120495 SPN Mat. 68 OEK 35 TKP 367 RI 109 Oud/Kalw. 8/6 Gem. SI/Kalf 92/5</p>	<p>AG 070361 SPN Mat. 52</p>  <p>Elite-Brons</p> <p>AG 080184</p> 	<p>LAR 010176 SPN Mat. 80</p> <p>AG 030421 SPN Mat. 71 Oud/Kalw. 5/3 Gem. SI/Kalf 96/3</p> <p>EI 940339 SPN Mat. 116</p> <p>AG 060193 SPN Mat. 106 Oud/Kalw. 2/1 Gem. SI/Kalf 100/1</p>
<p>OEK 26 TKP 396 RI 112</p>	<p>OEK 27 TKP 490</p> <p>OEK 24 TKP</p>	<p>SPN Mat. 87 LAR 980262 SPN Mat. 92 AG 990104 SPN Mat. 61 AG 000126 SPN Mat. 95 EI 920079 SPN Mat. 128 EI 920048 SPN Mat. 104 LAR 000084 SPN Mat. 102 HJB 940208 SPN Mat. 118</p>



Lot 113

<p>AG 110164 SPN Mat. 106 OEK 28 TKP 493 RI 96 Oud/Kalw. 9/6 Gem. SI/Kalf 98/3</p>	<p>MBT 070136 SPN Mat. 110 Silver</p>  <p>AG 080077</p> 	<p>CEG 050021 SPN Mat. 119 Silver</p> <p>CEG 040233 SPN Mat. 95 Oud/Kalw. 5/4 Gem. SI/Kalf 96/4</p> <p>AG 020251 SPN Mat. 121 Goud</p> <p>AG 990258 SPN Mat. 102 Oud/Kalw. 14/12 Gem. SI/Kalf 102/12</p>
<p>OEK 31 TKP 448 RI 99</p>	<p>OEK 27 TKP 369</p> <p>OEK 24 TKP 382</p>	<p>SPN Mat. 104 CEG 930080 SPN Mat. 117 LA 980044 SPN Mat. 89 CEG 990251 SPN Mat. 105 AG 980338 SPN Mat. 86 AG 950206 SPN Mat. 126 AG 950284 SPN Mat. 58 AG 930073 SPN Mat. 102</p>


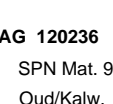
Lot 114

<p>AG 110091 SPN Mat. 98 OEK 31 TKP 436 RI 102 Oud/Kalw. 10/7 Gem. SI/Kalf 99/6</p>	<p>PAD 070093 SPN Mat. 101</p>  <p>AG 060140</p> 	<p>CSW 990118 SPN Mat. 81 CSW 010103 SPN Mat. 102 RAI 990034 SPN Mat. 88 AG 960148 SPN Mat. 125 AG 970264 SPN Mat. 62 AG 980128 SPN Mat. 105 AG 990104 SPN Mat. 61 AG 000229 SPN Mat. 88</p>
<p>OEK 24 TKP 445 RI 113</p>	<p>OEK 29 TKP 377</p> <p>OEK 33 TKP 446</p>	<p>SPN Mat. 96 AG 050042 SPN Mat. 101 Oud/Kalw. 10/8 Gem. SI/Kalf 101/7 AG 000100 SPN Mat. 91 AG 030412 SPN Mat. 85 Oud/Kalw. 5/3 Gem. SI/Kalf 102/3</p>


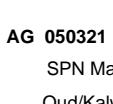
Lot 115

<p>AG 150760 P SPN Mat. 128 OEK 33 TKP 411 RI 103 Oud/Kalw. 5/3 Gem. SI/Kalf 105/2</p>	<p>BPJ 080013 SPN Mat. 148</p>  <p>Elite-Brons</p> <p>AG 130081</p> 	<p>BG 020058 SPN Mat. 113</p> <p>RCO 990248 SPN Mat. 150 Oud/Kalw. 21/14 Gem. SI/Kalf 107/14</p> <p>AG 100247 SPN Mat. 100</p> <p>Elite-Silwer</p> <p>AG 080350 SPN Mat. 93 Oud/Kalw. 12/10 Gem. SI/Kalf 103/9</p>
<p>OEK 32 TKP 371 RI 111</p>	<p>OEK 34 TKP 499</p> <p>OEK 25 TKP 406</p>	<p>SPN Mat. 121 B 930207 SPN Mat. 111 RCO 930139 SPN Mat. 130 RCO 920247 SPN Mat. 101 FCT 060109 SPN Mat. 113 AG 990119 SPN Mat. 85 AG 030181 SPN Mat. 73 AG 050217 SPN Mat. 97</p>

Lot 116

<p>AG 150312 SPN Mat. 93 OEK 35 TKP 398 RI 101 Oud/Kalw. 5/3 Gem. SI/Kalf 100/2</p>	<p>AG 120219 SPN Mat. 73</p>  <p>AG 120236</p> 	<p>AG 030029 SPN Mat. 68 AG 020250 SPN Mat. 114 WAT 030085 SPN Mat. 96 AG 030216 SPN Mat. 105 VV 060054 SPN Mat. 100 VV 040282 SPN Mat. 101 HJB 050052 SPN Mat. 113 AG 040339 SPN Mat. 102</p>
<p>OEK 35 TKP 397 RI 99</p>	<p>OEK 24 TKP 440</p> <p>OEK 30 TKP 413</p>	<p>SPN Mat. 93 AG 070176 SPN Mat. 96 Oud/Kalw. 9/7 Gem. SI/Kalf 104/5 VV 080492 SPN Mat. 90 AG 090105 SPN Mat. 111 Oud/Kalw. 12/9 Gem. SI/Kalf 103/8</p>

Lot 117

<p>AG 110108 SPN Mat. 107 OEK 35 TKP 357 RI 112 Oud/Kalw. 10/8 Gem. SI/Kalf 108/6</p>	<p>FCT 060109 SPN Mat. 113</p>  <p>AG 050321</p> 	<p>FCT 040101 SPN Mat. 90</p> <p>FCT 980024 SPN Mat. 110 Oud/Kalw. 11/10 Gem. SI/Kalf 100/10</p> <p>AG 990104 SPN Mat. 61</p> <p>HTC 990039 SPN Mat. 101 Oud/Kalw. 13/10 Gem. SI/Kalf 101/10</p>
<p>OEK 24 TKP 421 RI 114</p>	<p>OEK 30 TKP 362</p> <p>OEK 29 TKP 434</p>	<p>SPN Mat. 101 FCT 020046 SPN Mat. 109 ROM 920141 SPN Mat. 107 RE 910118 SPN Mat. 116 AG 950023 SPN Mat. 96 AG 970036 SPN Mat. 76 AG 940040 SPN Mat. 119 HTC 910006 SPN Mat. 79</p>

FEMALE ANIMALS

Lot	Seller	ID	PARENTS	Test	Breeding Value Indexes											R:	MEASURE- MENTS	Calf ID	Breeder Own Remarks
					DIRECT CALF TRAITS		DAUGHTER TRAITS			GROWTH		EFF.	REP	GROWTH					
POLLED	Gen	SIRE GV PV	DAM GV PV	Genomic Tested DNA	Birth Dir Acc	Wean Dir Acc	Birth Mat Acc	Wean Mat Acc	Mat Wgt Acc	Post Wean Acc	ADG Acc	FCR Acc	SC Acc	Hgt Acc	Lgt Acc	LHR	Birth Date (Weight)		
																		WWR	Sire


Cows with Calves

118	ARTHUR DE VILLIERS & SEUN	AG 110455	AG 080431	PW365	87	103	108	73	92	107	96	94	96	90	94	-	BONMAG 200543
			AG 040103	DNA	2.37	15.0	-0.57	-3.5	1.0	26.6	79	-37	6.9	-7	6	7.2	02.11.20 (36)
				07.11.11	85	81	79	82	56	68	50	30	54	55	53	-	BONMCEF 150479
119	ARTHUR DE VILLIERS & SEUN	AG 110352	PAD 070093	PW365	88	111	97	121	102	107	105	96	103	114	115	-	BONMAG 200756
			AG 090423	DNA	2.30	18.5	-0.07	9.8	12.0	26.8	120	-44	12.4	13	35	8.33	03.12.20 (37)
				21.10.11	85	81	81	82	56	72	47	25	50	50	49	-	BONMAG 150758
120	ARTHUR DE VILLIERS & SEUN	FUZ 110006	HJB 020223	PW540	113	89	100	83	75	87	83	91	91	87	90	-	BONMAG 200755
			FUZ 070134	DNA	-0.37	8.2	-0.18	-0.7	-18.0	12.7	19	-30	2.7	-9	1	-	03.12.20 (34)
				25.08.11	85	80	80	83	66	73	61	29	65	66	64	43.4	BONMAJF 130331
121	ARTHUR DE VILLIERS & SEUN	AG 110267	AG 080057	PW365	75	113	107	114	89	108	104	100	94	92	105	-	BONMAG 200666
			AG 080095	DNA	3.68	19.2	-0.52	7.7	-2.0	27.6	114	-54	4.7	-5	21	8.89	17.11.20 (39)
				09.10.11	84	78	79	78	53	65	52	26	55	56	55	-	BONMAG 150758
122	ARTHUR DE VILLIERS & SEUN	AG 110389	PAD 060055	PW365	114	81	100	93	69	84	75	85	87	80	79	-	BONFAG 200656
			AG 000214	DNA	-0.43	4.5	-0.19	1.9	-25.0	10.5	-23	-15	-0.8	-16	-15	6.96	16.11.20 (34)
				25.10.11	86	81	81	83	55	70	44	25	47	48	46	-	BONMAG 140046


Pregnant Cows

123	ARTHUR DE VILLIERS & SEUN	AG 170733	AG 110215	PW540	101	109	124	113	104	111	112	108	113	101	106	-	161
			AG 080166	DNA	0.95	17.5	-1.29	7.5	14.0	29.5	155	-75	20.7	2	23	-	3.4
				20.10.17	81	75	68	61	52	71	50	34	53	54	53	40.1	2


Lot 118

<p>AG 110455 SPN Mat. 73 AFC 23 ICP 429 RI 109 Age/Calv. 9/7 Avg. WI/Calf 96/6</p>	<p>AG 080431 SPN Mat. 86</p>  <p>AG 040103 SPN Mat. 75 Age/Calv. 13/12 Avg. WI/Calf 97/11</p>	<p>LAR 030398 SPN Mat. 70</p> <p>LA 950129 AFC 35 SPN Mat. 116 ICP 479 Age/Calv. 16/11 Avg. WI/Calf 105/11</p> <p>AG 980338 SPN Mat. 86</p> <p>AG 000105 SPN Mat. 109 Age/Calv. 8/5 Avg. WI/Calf 104/4</p>	<p>LAR 010297 SPN Mat. 72 LAR 990031 SPN Mat. 85 AG 910035 SPN Mat. 97 LA 900164 SPN Mat. 103 AG 930210 SPN Mat. 103 AG 920184 SPN Mat. 102 WAT 970211 SPN Mat. 109 AG 980151 SPN Mat. 110</p>
---	--	--	---


Lot 119

<p>AG 110352 SPN Mat. 121 AFC 24 ICP 431 RI 108 Age/Calv. 9/7 Avg. WI/Calf 105/6</p>	<p>PAD 070093 SPN Mat. 101</p>  <p>AG 090423 SPN Mat. 114 Age/Calv. 6/5 Avg. WI/Calf 109/5</p>	<p>CSW 030109 SPN Mat. 96</p> <p>AG 050042 AFC 29 SPN Mat. 101 ICP 377 Age/Calv. 10/8 Avg. WI/Calf 101/7</p> <p>CEP 040431 SPN Mat. 88</p> <p>Elite-Gold AG 980005 SPN Mat. 100 Age/Calv. 15/14 Avg. WI/Calf 100/14</p>	<p>CSW 990118 SPN Mat. 81 CSW 010103 SPN Mat. 102 RAI 990034 SPN Mat. 88 AG 960148 SPN Mat. 125 CEF 020328 SPN Mat. 89 CEF 950055 SPN Mat. 84 TBR 910704 SPN Mat. 76 AG 950143 SPN Mat. 106</p>
---	---	--	--


Lot 120

<p>FUZ 110006 SPN Mat. 83 AFC 26 ICP 373 RI 116 Age/Calv. 9/8 Avg. WI/Calf 97/7</p>	<p>HJB 020223 SPN Mat. 90</p>  <p>FUZ 070134 SPN Mat. 78 Age/Calv. 4/2 Avg. WI/Calf 97/2</p>	<p>GB 920056 SPN Mat. 111</p> <p>HJB 990118 AFC 29 SPN Mat. 92 ICP 378 Age/Calv. 12/10 Avg. WI/Calf 104/10</p> <p>AG 020263 SPN Mat. 68</p> <p>FUZ 990076 AFC 35 SPN Mat. 83 ICP 369 Age/Calv. 10/8 Avg. WI/Calf 99/9</p>	<p>GB N 0004 SPN Mat. 114 GB K 0032 SPN Mat. 93 AG 920282 SPN Mat. 112 HES 960157 SPN Mat. 98 AG 980338 SPN Mat. 86 AG N 0045 SPN Mat. 104 LDW 920204 SPN Mat. 91 FUZ N 0116 SPN Mat. 74</p>
--	---	---	---


Lot 121

<p>AG 110267 SPN Mat. 114 AFC 33 ICP 386 RI 108 Age/Calv. 9/7 Avg. WI/Calf 104/6</p>	<p>AG 080057 SPN Mat. 85</p>  <p>AG 080095 SPN Mat. 122 Age/Calv. 4/2 Avg. WI/Calf 112/2</p>	<p>AG 030177 SPN Mat. 86</p> <p>AG 020124 AFC 24 SPN Mat. 87 ICP 452 Age/Calv. 8/6 Avg. WI/Calf 99/6</p> <p>AG 050085 SPN Mat. 83</p> <p>AG 990243 AFC 24 SPN Mat. 136 ICP 463 Age/Calv. 16/12 Avg. WI/Calf 104/11</p>	<p>AG 980338 SPN Mat. 86 AG 940027 SPN Mat. 112 AG 960184 SPN Mat. 112 AG 960075 SPN Mat. 100 AG 980012 SPN Mat. 67 AG 010049 SPN Mat. 93 AG 960233 SPN Mat. 104 AG 950147 SPN Mat. 121</p>
---	---	--	--



Lot 122

<p>AG 110389 SPN Mat. 93 AFC 24 ICP 370 RI 118 Age/Calv. 9/8 Avg. WI/Calf 97/7</p>	<p>PAD 060055 SPN Mat. 100</p>  <p>AG 000214 SPN Mat. 90 Age/Calv. 16/12 Avg. WI/Calf 94/11</p>	<p>AEK 040007 SPN Mat. 127</p> <p>AEK 040005 AFC 31 SPN Mat. 93 ICP 428 Age/Calv. 13/10 Avg. WI/Calf 101/10</p> <p>AG 980037 SPN Mat. 84</p> <p>AG 980300 AFC 24 SPN Mat. 91 ICP 366 Age/Calv. 7/6 Avg. WI/Calf 100/5</p>	<p>AG 960059 SPN Mat. 110 AEK 010164 SPN Mat. 105 AG 960059 SPN Mat. 110 AEK 010080 SPN Mat. 77 RCO 930012 SPN Mat. 94 AG 920314 SPN Mat. 73 AG 930210 SPN Mat. 103 AG 930026 SPN Mat. 95</p>
---	--	---	--



Lot 123

<p>AG 170733 SPN Mat. 113 AFC 25 ICP 328 RI 125 Age/Calv. 3/2 Avg. WI/Calf 112/2</p>	<p>AG 110215 SPN Mat. 95</p>  <p>AG 080166 SPN Mat. 129 Age/Calv. 11/8 Avg. WI/Calf 107/6</p>	<p>VV 070012 SPN Mat. 110 Gold Elite-Gold</p> <p>AG 020297 AFC 23 SPN Mat. 89 ICP 413 Age/Calv. 11/9 Avg. WI/Calf 108/9</p> <p>AG 020251 SPN Mat. 121 Gold</p> <p>AG 020147 AFC 25 SPN Mat. 125 ICP 404 Age/Calv. 13/11 Avg. WI/Calf 110/11</p>	<p>VV 040046 SPN Mat. 114 VV 040214 SPN Mat. 112 AG 960184 SPN Mat. 112 AG 930179 SPN Mat. 75 AG 980338 SPN Mat. 86 AG 950206 SPN Mat. 126 AG 980200 SPN Mat. 101 AG 990256 SPN Mat. 138</p>
---	--	--	---



Lot 124

<p>AG 170938 SPN Mat. 95 OEK 31 TKP RI 106 Oud/Kalw. 3/1 Gem. Si/Kalf 97/1</p>		<p>AG 130334 SPN Mat. 83</p>		<p>AG 110231 SPN Mat. 89</p> <p>AG 110065 OEK 30 SPN Mat. 98 TKP 366 Oud/Kalw. 10/8 Gem. Si/Kalf 103/8</p> <p>AG 090310 SPN Mat. 113</p> <p>AG 080384 OEK 23 SPN Mat. 90 TKP 429 Oud/Kalw. 11/9 Gem. Si/Kalf 100/6</p>	<p>AG 070745 SPN Mat. 95 AG 070467 SPN Mat. 115 AG 060027 SPN Mat. 89 AG 990135 SPN Mat. 115 HJS 030016 SPN Mat. 102 AG 040253 SPN Mat. 104 HJB 040296 SPN Mat. 83 AG 010259 SPN Mat. 113</p>
---	---	---	---	--	---



Lot 125

<p>AG 170191 SPN Mat. 107 OEK 26 TKP 385 RI 119 Oud/Kalw. 3/2 Gem. Si/Kalf 106/2</p>		<p>AG 130147 SPN Mat. 96</p>		<p>AG 080210 SPN Mat. 96</p> <p>AG 100156 OEK 36 SPN Mat. 101 TKP 486 Oud/Kalw. 7/4 Gem. Si/Kalf 106/3</p> <p>AG 110215 SPN Mat. 95</p> <p>AG 090208 OEK 36 SPN Mat. 102 TKP 493 Oud/Kalw. 7/4 Gem. Si/Kalf 98/4</p>	<p>HJS 030016 SPN Mat. 102 BZ 020158 SPN Mat. 127 CSW 010014 SPN Mat. 94 AG 040166 SPN Mat. 94 VV 070012 SPN Mat. 110 AG 020297 SPN Mat. 89 AG 060411 SPN Mat. 118 AG 060189 SPN Mat. 114</p>
---	---	---	---	--	---



Lot 126

<p>AG 170985 SPN Mat. 95 OEK 31 TKP RI 106 Oud/Kalw. 3/1 Gem. Si/Kalf 111/1</p>		<p>AG 130334 SPN Mat. 83</p>		<p>AG 110231 SPN Mat. 89</p> <p>AG 110065 OEK 30 SPN Mat. 98 TKP 366 Oud/Kalw. 10/8 Gem. Si/Kalf 103/8</p> <p>PAD 070093 SPN Mat. 101</p> <p>AG 090324 OEK 36 SPN Mat. 92 TKP 360 Oud/Kalw. 10/8 Gem. Si/Kalf 98/6</p>	<p>AG 070745 SPN Mat. 95 AG 070467 SPN Mat. 115 AG 060027 SPN Mat. 89 AG 990135 SPN Mat. 115 CSW 030109 SPN Mat. 96 AG 050042 SPN Mat. 101 RGR 030186 SPN Mat. 89 AG 050191 SPN Mat. 105</p>
--	---	---	---	--	--



Lot 127

<p>AG 170441 SPN Mat. 101 OEK 33 TKP RI 101 Oud/Kalw. 3/1 Gem. Si/Kalf 106/1</p>		<p>GZV 120062 SPN Mat. 113</p>		<p>AG 090483 SPN Mat. 99</p> <p>AG 080251 OEK 26 SPN Mat. 128 TKP 510 Oud/Kalw. 9/6 Gem. Si/Kalf 103/6</p> <p>AJF 040075 SPN Mat. 117</p> <p>AG 010315 OEK 35 SPN Mat. 60 TKP 378 Oud/Kalw. 11/9 Gem. Si/Kalf 94/9</p>	<p>FCT 060109 SPN Mat. 113 AG 060123 SPN Mat. 97 AG 020251 SPN Mat. 121 AG 980250 SPN Mat. 126 KTB 960047 SPN Mat. 116 AJF 990292 SPN Mat. 115 RCO 980035 SPN Mat. 65 AG 970248 SPN Mat. 81</p>
---	---	---	---	--	---

Lot 128

<p>AG 170380 SPN Mat. 120 OEK 33 TKP RI 100 Oud/Kalw. 3/1 Gem. Si/Kalf 112/1</p>		<p>AG 120225 SPN Mat. 120</p>		<p>LAR 060034 SPN Mat. 110</p> <p>AG 040141 OEK 26 SPN Mat. 104 TKP 424 Oud/Kalw. 15/12 Gem. Si/Kalf 102/12</p> <p>AG 090310 SPN Mat. 113</p> <p>AG 010107 OEK 26 SPN Mat. 94 TKP 395 Oud/Kalw. 15/13 Gem. Si/Kalf 100/13</p>	<p>LAR 020101 SPN Mat. 92 LAR 980130 SPN Mat. 111 AG 000100 SPN Mat. 91 AG 020201 SPN Mat. 68 HJS 030016 SPN Mat. 102 AG 040253 SPN Mat. 104 AG 960059 SPN Mat. 110 AG 950033 SPN Mat. 83</p>
---	---	--	---	---	---

Lot 129

<p>AG 171025 SPN Mat. 95 OEK 29 TKP RI 111 Oud/Kalw. 2/1 Gem. Si/Kalf 106/1</p>		<p>AG 080409 SPN Mat. 69</p>		<p>LAR 030398 SPN Mat. 70</p> <p>AG 020165 OEK 30 SPN Mat. 110 TKP 422 Oud/Kalw. 15/12 Gem. Si/Kalf 101/12</p> <p>FCT 060109 SPN Mat. 113</p> <p>AG 030228 OEK 23 SPN Mat. 89 TKP 412 Oud/Kalw. 15/13 Gem. Si/Kalf 100/13</p>	<p>LAR 010297 SPN Mat. 72 LAR 990031 SPN Mat. 85 AG 960059 SPN Mat. 110 AG 930026 SPN Mat. 95 FCT 040101 SPN Mat. 90 FCT 980024 SPN Mat. 110 RCO 980035 SPN Mat. 65 AG 950083 SPN Mat. 94</p>
--	---	---	---	---	---

FEMALE ANIMALS


Lot	Seller	ID	PARENTS	Test	Breeding Value Indexes												Days Open	Breeder Own Remarks	
					DIRECT CALF TRAITS		DAUGHTER TRAITS			GROWTH		EFF.	REP	MEASURE-MENTS					R:
					Progeny Birth Weight	Progeny Wean Weight	Ease of Calving	Milk prod.	Mature Weight	Post Wean Weight	Daily Gain	Feed Conv			Height & Length				
POLLED	SIRE GV PV	DAM GV PV	Genomic Tested DNA	Birth Dir		Wean Dir		Birth Mat	Wean Mat	Mat Wgt	Post Wean		ADG	FCR	SC	Hgt	Lgt	LHR	
				Acc	Acc	Acc	Acc	Acc	365d Ind	540d Ind	Ind	Ind	(mm)	(mm)	(mm)		Age		
				Wgt kg	Wgt kg	Ind	kg	kg	kg								Calves		

Pregnant Cows


130	ARTHUR DE VILLIERS & SEUN	AG 170790	ADV 100285	PW540	77	98	115	92	75	94	92	96	89	73	82	-	146
			<input checked="" type="checkbox"/>		3.47	12.6	-0.90	1.8	-18.0	17.9	58	-43	0.7	-21	-11	-	3.4
			AG 070736	DNA	80	75	67	67	45	68	48	25	51	52	51	-	2
131	ARTHUR DE VILLIERS & SEUN	AG 170383	AG 120556	PW540	83	105	102	95	106	99	94	100	90	84	94	-	269
			<input checked="" type="checkbox"/>		2.77	15.6	-0.28	2.7	17.0	20.8	68	-53	1.4	-12	6	-	3.4
			AG 130243	DNA	78	74	60	63	41	68	48	39	51	51	50	50.6	1
132	ARTHUR DE VILLIERS & SEUN	AG 170283 P SP	JL 100198	PW540	97	102	106	115	95	112	107	102	106	96	101	-	418
			<input checked="" type="checkbox"/>		1.34	14.4	-0.45	8.2	5.0	30.1	131	-60	14.7	-2	16	-	3.5
			AG 120139	DNA	78	75	64	67	48	70	49	29	52	52	51	46.2	1
133	ARTHUR DE VILLIERS & SEUN	AG 180135	AG 150143	PW365	82	104	89	97	82	109	94	96	97	87	97	-	125
			<input checked="" type="checkbox"/>		2.98	15.4	0.32	3.2	-10.0	28.6	69	-43	7.5	-9	10	9.37	2.6
			AG 150456	DNA	77	70	56	49	36	57	37	22	39	39	39	-	1
134	ARTHUR DE VILLIERS & SEUN	AG 180131	AG 150143	PW365	81	117	95	92	108	119	101	103	107	90	98	-	133
			<input checked="" type="checkbox"/>		3.08	21.4	0.02	1.8	18.0	35.5	101	-61	15.8	-7	12	6.6	2.6
			AG 150749	DNA	77	70	57	49	37	57	38	24	40	40	40	-	1
135	ARTHUR DE VILLIERS & SEUN	AG 180373	AG 120225	PW365	110	97	116	110	101	98	96	96	107	93	97	-	260
			<input checked="" type="checkbox"/>		-0.06	12.2	-0.91	6.8	10.0	20.2	79	-44	15.1	-5	10	6.06	2.4
			AG 100341	DNA	80	75	63	65	43	64	42	24	44	44	44	38	1

1.03	13.4	-0.19	3.9	10	21.8	97	-53	9.8	1	14
------	------	-------	-----	----	------	----	-----	-----	---	----


Lot 130

<p>AG 170790 SPN Mat. 92 AFC 23 ICP 379 RI 124 Age/Calv. 3/2 Avg. WI/Calf 103/2</p>	<p>ADV 100285 SPN Mat. 91</p>  <p>AG 070736 SPN Mat. 76 Age/Calv. 10/8 Avg. WI/Calf 99/8</p>	<p>ADV 040182 SPN Mat. 73</p> <p>AG 970118 AFC 26 SPN Mat. 110 ICP 402 Age/Calv. 13/11 Avg. WI/Calf 100/9</p> <p>EI 040038 SPN Mat. 91</p> <p>AG 040074 AFC 32 SPN Mat. 68 ICP 364 Age/Calv. 10/8 Avg. WI/Calf 95/8</p>	<p>AG 980012 SPN Mat. 67</p> <p>AG 980111 SPN Mat. 101</p> <p>AG J 0008 SPN Mat. 88</p> <p>AG 930155 SPN Mat. 110</p> <p>EI 980080 SPN Mat. 88</p> <p>EI 990057 SPN Mat. 100</p> <p>RCO 000091 SPN Mat. 68</p> <p>AG 010306 SPN Mat. 87</p>
--	---	---	---


Lot 131

<p>AG 170383 SPN Mat. 95 AFC 32 ICP RI 102 Age/Calv. 3/1 Avg. WI/Calf 103/1</p>	<p>AG 120556 SPN Mat. 77</p>  <p>AG 130243 SPN Mat. 110 Age/Calv. 7/5 Avg. WI/Calf 100/4</p>	<p>AG 080409 SPN Mat. 69</p> <p>AG 090586 AFC 35 SPN Mat. 95 ICP 370 Age/Calv. 6/4 Avg. WI/Calf 98/4</p> <p>TOR 050216 SPN Mat. 111</p> <p>AG 100104 AFC 30 SPN Mat. 101 ICP 372 Age/Calv. 9/7 Avg. WI/Calf 99/7</p>	<p>LAR 030398 SPN Mat. 70</p> <p>AG 020165 SPN Mat. 110</p> <p>AG 050263 SPN Mat. 113</p> <p>AG 050581 SPN Mat. 102</p> <p>AG 010051 SPN Mat. 107</p> <p>RAI 020013 SPN Mat. 109</p> <p>AG 060027 SPN Mat. 89</p> <p>BFB 000102 SPN Mat. 109</p>
--	---	--	--


Lot 132

<p>AG 170283 P SPN Mat. 115 AFC 28 ICP RI 116 Age/Calv. 2/1 Avg. WI/Calf 93/1</p>	<p>JL 100198 SPN Mat. 117</p>  <p>Elite-Bronze</p> <p>AG 120139 SPN Mat. 122 Age/Calv. 8/6 Avg. WI/Calf 108/5</p>	<p>AG 040310 SPN Mat. 118</p> <p>EI 940254 AFC 30 SPN Mat. 145 ICP 473 Age/Calv. 18/13 Avg. WI/Calf 104/12</p> <p>AG 090094 SPN Mat. 95</p> <p>AG 100184 AFC 24 SPN Mat. 120 ICP 381 Age/Calv. 9/8 Avg. WI/Calf 104/8</p>	<p>AG 020251 SPN Mat. 121</p> <p>AG 930063 SPN Mat. 98</p> <p>CX N 0029 SPN Mat. 105</p> <p>EI J 0262 SPN Mat. 117</p> <p>WBB 070035 SPN Mat. 95</p> <p>AG 020194 SPN Mat. 74</p> <p>VV 070122 SPN Mat. 126</p> <p>AG 040442 SPN Mat. 104</p>
--	--	---	---


Lot 133

<p>AG 180135 SPN Mat. 97 AFC 27 ICP RI 117 Age/Calv. 2/1 Avg. WI/Calf 94/1</p>	<p>AG 150143 SPN Mat. 74</p>  <p>AG 150456 SPN Mat. 114 Age/Calv. 5/3 Avg. WI/Calf 98/2</p>	<p>AG 080409 SPN Mat. 69</p> <p>AG 070115 AFC 31 SPN Mat. 76 ICP 368 Age/Calv. 11/9 Avg. WI/Calf 97/8</p> <p>BPJ 080013 SPN Mat. 148</p> <p>AG 130076 AFC 31 SPN Mat. 88 ICP 372 Age/Calv. 8/6 Avg. WI/Calf 96/5</p>	<p>LAR 030398 SPN Mat. 70</p> <p>AG 020165 SPN Mat. 110</p> <p>RCO 000091 SPN Mat. 68</p> <p>AG 000350 SPN Mat. 83</p> <p>BG 020058 SPN Mat. 113</p> <p>RCO 990248 SPN Mat. 150</p> <p>AG 070434 SPN Mat. 96</p> <p>AG 070097 SPN Mat. 113</p>
---	--	--	--

Lot 134

<p>AG 180131 SPN Mat. 92 AFC 27 ICP RI 117 Age/Calv. 2/1 Avg. WI/Calf 91/1</p>	<p>AG 150143 SPN Mat. 74</p>  <p>AG 150749 SPN Mat. 106 Age/Calv. 5/3 Avg. WI/Calf 109/2</p>	<p>AG 080409 SPN Mat. 69</p> <p>AG 070115 AFC 31 SPN Mat. 76 ICP 368 Age/Calv. 11/9 Avg. WI/Calf 97/8</p> <p>HCO 090044 SPN Mat. 115</p> <p>HJB 040130 AFC 34 SPN Mat. 76 ICP 369 Age/Calv. 13/11 Avg. WI/Calf 100/12</p>	<p>LAR 030398 SPN Mat. 70</p> <p>AG 020165 SPN Mat. 110</p> <p>RCO 000091 SPN Mat. 68</p> <p>AG 000350 SPN Mat. 83</p> <p>VV 030346 SPN Mat. 115</p> <p>HJB 060044 SPN Mat. 94</p> <p>AG J 0008 SPN Mat. 88</p> <p>RCO 000245 SPN Mat. 72</p>
---	---	---	---

Lot 135

<p>AG 180373 SPN Mat. 110 AFC 21 ICP RI 137 Age/Calv. 2/1 Avg. WI/Calf 101/1</p>	<p>AG 120225 SPN Mat. 120</p>  <p>AG 100341 SPN Mat. 101 Age/Calv. 10/8 Avg. WI/Calf 102/6</p>	<p>LAR 060034 SPN Mat. 110</p> <p>AG 040141 AFC 26 SPN Mat. 104 ICP 424 Age/Calv. 15/12 Avg. WI/Calf 102/12</p> <p>MBT 070136 SPN Mat. 110 Silver</p> <p>AG 080323 AFC 25 SPN Mat. 84 ICP 365 Age/Calv. 12/11 Avg. WI/Calf 98/10</p>	<p>LAR 020101 SPN Mat. 92</p> <p>LAR 980130 SPN Mat. 111</p> <p>AG 000100 SPN Mat. 91</p> <p>AG 020201 SPN Mat. 68</p> <p>CEG 050021 SPN Mat. 119</p> <p>CEG 040233 SPN Mat. 95</p> <p>JJ 040115 SPN Mat. 121</p> <p>AG 050386 SPN Mat. 65</p>
---	---	---	--

VROULIKE DIERE

Lot	Verkoper	ID	OUERS	Toets	Teelwaarde indekse											Dae Oop	Gebruiker Eie Opmerkings	
					DIREKTE KALF EIENSKAPPE		DOGTER EIENSKAPPE			GROEI		DOEL	REP	MATES				V:
		POENA	VADER GV OV	Genomies Getoets	Geb Dir	Speen Dir	Geb Mat	Speen Mat	Volwas- se Gewig	Naspeen- gewig	GDT	VOV	SO	Hgt	Lgt	LHV	Oud	
		Gen	MOEDER GV OV	DNS	Akk	Akk	Akk	Akk	Akk	Akk	Akk	Akk	Akk	Akk	Akk	GGV		Kalwers
				Geb. dat.	Gew kg	Gew kg	Ind	kg	kg	kg	365d Ind	540d Ind	Ind	Ind	(mm)	(mm)		



Dragtige Koeie

136	ARTHUR DE VILLIERS & SEUN	AG 180025	AG 120720	NS540	87	116	105	101	108	115	110	104	94	99	103	-	120	
			<input checked="" type="checkbox"/>			2.44	20.9	-0.44	4.1	18.0	32.8	146	-63	5.2	0	19	-	3.2
			AG 080786	DNS	80	75	67	66	44	70	47	17	49	50	49	-		
		SP	<input checked="" type="checkbox"/>	17.01.18	36											-	2	
137	ARTHUR DE VILLIERS & SEUN	AG 180713	AG 140090	NS365	106	101	109	101	90	105	95	95	100	88	97	-	116	
			<input checked="" type="checkbox"/>			0.41	13.9	-0.61	4.3	-1.0	25.6	73	-40	9.8	-9	9	6.19	
			AG 120151	DNS	78	73	58	53	37	62	37	20	39	40	39	-		
		SP	<input checked="" type="checkbox"/>	19.10.18	30											40.4	1	



Koeie met Kalwers

138	ARTHUR DE VILLIERS & SEUN	AG 160099	AG 130115	NS365	101	107	106	77	100	112	101	88	99	98	104	-	BONFAG 200200	
			PP(c) <input checked="" type="checkbox"/>			0.96	16.8	-0.46	-2.5	10.0	30.4	100	-22	9.4	0	20	5.88	02.10.20 (36)
			AG 060249	DNS	81	77	70	71	52	64	41	26	43	43	43	-	BONMAG 150202	
		SP	<input checked="" type="checkbox"/>	22.03.16	36											-		
139	ARTHUR DE VILLIERS & SEUN	AG 160378	CEW 110234	NS540	95	95	106	101	100	100	92	98	100	87	89	-	BONFAG 200594	
			<input checked="" type="checkbox"/>			1.56	10.9	-0.47	4.2	10.0	21.7	58	-49	9.4	-9	-1	7.87	07.11.20 (34)
			AG 100271	DNS	82	74	70	60	48	68	51	29	53	54	53	-	BONMBBP 130257	
		SP	<input checked="" type="checkbox"/>	18.10.16	37											47.6		
140	ARTHUR DE VILLIERS & SEUN	AG 150285	LMR 080164	NS365	108	88	101	99	81	84	98	98	97	98	101	-	BONMAG 200248	
			<input checked="" type="checkbox"/>			0.15	7.8	-0.24	3.7	-11.0	10.3	89	-48	7.6	-1	16	7.07	11.10.20 (34)
			AG 120216	DNS	81	77	69	71	49	64	43	31	47	47	46	-	BONMAG 160239	
		SP	<input checked="" type="checkbox"/>	22.07.15	29											-		
141	ARTHUR DE VILLIERS & SEUN	AG 130204	AG 090310	NS540	102	104	111	87	91	108	104	100	116	87	96	-	BONFAG 200749	
			<input checked="" type="checkbox"/>			0.80	15.2	-0.69	0.4	0.0	27.4	116	-53	22.8	-10	8	8	30.11.20 (34)
			AG 030174	DNS	83	78	77	77	57	69	55	27	58	59	58	-	BONMCEF 150479	
		SP	<input checked="" type="checkbox"/>	22.09.13	36											37.6		



Lot 136

<p>AG 180025 SPN Mat. 101 OEK 21 TKP 390 RI 128 Oud/Kalw. 3/2 Gem. Sl/Kalf 99/2</p>		<p>AG 120720 SPN Mat. 102</p> <p>AG 080786 SPN Mat. 108 Oud/Kalw. 10/8 Gem. Sl/Kalf 106/7</p>		<p>LAR 060034 SPN Mat. 110</p> <p>AG 080845 OEK 36 SPN Mat. 102 TKP 457 Oud/Kalw. 7/4 Gem. Sl/Kalf 107/2</p> <p>AJF 040075 SPN Mat. 117</p> <p>AG 050387 OEK 24 SPN Mat. 101 TKP 441 Oud/Kalw. 4/3 Gem. Sl/Kalf 112/3</p>	<p>LAR 020101 SPN Mat. 92 LAR 980130 SPN Mat. 111 MMJ 030052 SPN Mat. 117 AG 990322 SPN Mat. 91 KTB 960047 SPN Mat. 116 AJF 990292 SPN Mat. 115 AG 980012 SPN Mat. 67 AG 990159 SPN Mat. 104</p>
--	---	---	---	---	--



Lot 137

<p>AG 180713 SPN Mat. 101 OEK 25 TKP RI 124 Oud/Kalw. 2/1 Gem. Sl/Kalf 102/1</p>		<p>AG 140090 SPN Mat. 107</p> <p>AG 120151 OEK 35 SPN Mat. 97 TKP 378 Oud/Kalw. 8/6 RI 107 Gem. Sl/Kalf 100/5</p>		<p>AG 090751 SPN Mat. 109</p> <p>AG 100055 OEK 32 SPN Mat. 101 TKP 430 Oud/Kalw. 10/7 Gem. Sl/Kalf 105/6</p> <p>AG 070299 SPN Mat. 91</p> <p>AG 090289 OEK 35 SPN Mat. 86 TKP 380 Oud/Kalw. 9/7 Gem. Sl/Kalf 93/6</p>	<p>CEF 040431 SPN Mat. 88 AG 980250 SPN Mat. 126 AG 070176 SPN Mat. 93 AG 980309 SPN Mat. 81 LAR 030312 SPN Mat. 108 AG 040285 SPN Mat. 70 AG 040158 SPN Mat. 109 AG 060377 SPN Mat. 68</p>
---	---	---	---	---	---



Lot 138

<p>AG 160099 SPN Mat. 77 OEK 28 TKP 400 RI 112 Oud/Kalw. 5/3 Gem. Sl/Kalf 96/2</p>		<p>AG 130115 PP(c) SPN Mat. 99</p> <p>AG 060249 OEK 24 SPN Mat. 71 TKP 414 Oud/Kalw. 11/9 RI 110 Gem. Sl/Kalf 96/9</p>		<p>MCU 070007 P SPN Mat. 97</p> <p>MCU 100005 P OEK 38 SPN Mat. 109 TKP 400 Oud/Kalw. 10/7 Gem. Sl/Kalf 103/7</p> <p>RAI 990034 SPN Mat. 88</p> <p>AG 030207 OEK 24 SPN Mat. 71 TKP 404 Oud/Kalw. 13/11 Gem. Sl/Kalf 94/11</p>	<p>JPL 040139 P SPN Mat. 81 MCU 030040 P SPN Mat. 137 MCU 060034 P SPN Mat. 124 MCU 050023 SPN Mat. 78 VV 950353 SPN Mat. 106 RAI 950048 SPN Mat. 91 AG 000264 SPN Mat. 76 AG 000118 SPN Mat. 102</p>
---	---	--	---	--	---



Lot 139

<p>AG 160378 SPN Mat. 101 OEK 24 TKP 371 RI 121 Oud/Kalw. 4/3 Gem. Sl/Kalf 95/3</p>		<p>CEW 110234 SPN Mat. 96</p> <p>AG 100271 OEK 36 SPN Mat. 106 TKP 366 Oud/Kalw. 10/8 RI 110 Gem. Sl/Kalf 95/7</p>		<p>CEW 080156 SPN Mat. 107</p> <p>CEW 080220 OEK 24 SPN Mat. 91 TKP 409 Oud/Kalw. 10/8 Gem. Sl/Kalf 100/8</p> <p>HJB 050052 SPN Mat. 113</p> <p>AG 070294 OEK 25 SPN Mat. 118 TKP 369 Oud/Kalw. 10/8 Gem. Sl/Kalf 102/8</p>	<p>LAR 040172 SPN Mat. 114 CEW 040033 SPN Mat. 99 WAT 050081 SPN Mat. 121 CEF 060077 SPN Mat. 97 NPT 910022 SPN Mat. 106 LA 980114 SPN Mat. 109 AG 020251 SPN Mat. 121 AG 010154 SPN Mat. 110</p>
--	---	--	---	---	---

Lot 140

<p>AG 150285 SPN Mat. 99 OEK 37 TKP 386 RI 98 Oud/Kalw. 5/3 Gem. Sl/Kalf 98/2</p>		<p>LMR 080164 SPN Mat. 105</p> <p>AG 120216 OEK 34 SPN Mat. 98 TKP 393 Oud/Kalw. 8/6 RI 106 Gem. Sl/Kalf 103/5</p>		<p>AG 020338 SPN Mat. 110</p> <p>LMR 040059 OEK 29 SPN Mat. 109 TKP 431 Oud/Kalw. 6/4 Gem. Sl/Kalf 102/3</p> <p>AG 070745 SPN Mat. 95</p> <p>AG 070340 OEK 23 SPN Mat. 90 TKP 367 Oud/Kalw. 13/12 Gem. Sl/Kalf 102/9</p>	<p>AG 980338 SPN Mat. 86 AG 950155 SPN Mat. 133 AG 990017 SPN Mat. 98 LMR 980188 SPN Mat. 107 WAT 030085 SPN Mat. 96 AG 030221 SPN Mat. 112 AG 030256 SPN Mat. 85 AG 980011 SPN Mat. 84</p>
--	---	--	---	--	---

Lot 141

<p>AG 130204 SPN Mat. 87 OEK 35 TKP 394 RI 104 Oud/Kalw. 7/5 Gem. Sl/Kalf 98/4</p>		<p>AG 090310 SPN Mat. 113</p> <p>AG 030174 OEK 24 SPN Mat. 62 TKP 378 Oud/Kalw. 13/12 RI 115 Gem. Sl/Kalf 93/11</p>		<p>HJS 030016 SPN Mat. 102 Elite-Goud</p> <p>AG 040253 OEK 24 SPN Mat. 104 TKP 406 Oud/Kalw. 12/10 Gem. Sl/Kalf 105/10</p> <p>AG 980200 SPN Mat. 101</p> <p>AG 980238 OEK 24 SPN Mat. 77 TKP 371 Oud/Kalw. 14/13 Gem. Sl/Kalf 98/12</p>	<p>RCO 980037 SPN Mat. 69 HJS 000068 SPN Mat. 114 RAI 990034 SPN Mat. 88 AG 980005 SPN Mat. 100 AG 950059 SPN Mat. 102 AG 950008 SPN Mat. 96 AG 930210 SPN Mat. 103 AG 930051 SPN Mat. 75</p>
---	---	---	---	---	---

FEMALE ANIMALS


Lot	Seller	ID	PARENTS	Test	Breeding Value Indexes											R:	Calf ID	Breeder Own Remarks
					DIRECT CALF TRAITS		DAUGHTER TRAITS			GROWTH		EFF.	REP	MEASUREMENTS				
		Gen	SIRE GV PV	Genomic Tested	Birth Dir	Wean Dir	Birth Mat	Wean Mat	Mat Wgt	Post Wean	ADG	FCR	SC	Hgt	Lgt	LHR	Birth Date (Weight)	
			DAM GV PV	DNA	Acc	Acc	Acc	Acc	Acc	Acc	Acc	Acc	Acc	Acc	Acc	BWR	Sire	
				Birth Date	Wgt kg	Wgt kg Ind	kg	kg	kg	365dM Ind	540d Ind	Ind	Ind	(mm)	(mm)	(mm)	GT / POLLED	

Cows with Calves


142	ARTHUR DE VILLIERS & SEUN	AG 120254 SP	AG 080407	PW540	92	89	80	92	101	97	99	101	99	99	104	-	BONMAG 200355
			<input checked="" type="checkbox"/>	DNA	1.90	8.2	0.72	1.8	11.0	19.6	90	-55	8.9	0	20	8	21.10.20 (45)
			AG 060290	02.10.12	85	80	78	79	64	68	53	28	56	56	55	40.3	BONMCEF 150479
143	ARTHUR DE VILLIERS & SEUN	AG 130567 SP	AG 070494	PW540	90	103	126	78	108	95	98	97	98	94	94	-	BONMAG 200331
			<input checked="" type="checkbox"/>	DNA	2.12	14.8	-1.36	-2.2	19.0	18.5	86	-46	8.4	-3	6	-	19.10.20 (35)
			AG 050652	02.10.13	84	79	77	79	49	68	41	22	44	45	43	-	BONMCEF 150479
144	ARTHUR DE VILLIERS & SEUN	AG 110152 SP	AG 070111	PW540	97	113	123	82	92	115	107	100	83	102	106	-	BONFAG 200276
			<input checked="" type="checkbox"/>	DNA	1.38	19.2	-1.23	-1.1	1.0	32.6	132	-53	-3.6	3	23	8.25	14.10.20 (34)
			AG 080844	17.09.11	85	80	80	82	64	66	58	30	63	64	62	-	BONMCEF 150479
145	ARTHUR DE VILLIERS & SEUN	AG 110110 SP	AG 060401	PW540	113	91	107	85	84	90	102	107	95	90	94	-	BONFAG 200690
			<input checked="" type="checkbox"/>	DNA	-0.40	9.1	-0.52	-0.3	-8.0	14.4	105	-71	5.8	-7	6	6.14	19.11.20 (34)
			AG 050206	14.03.11	86	82	83	85	64	76	56	45	59	59	58	-	BONMCEF 150479
146	ARTHUR DE VILLIERS & SEUN	AG 110031 SP	AJF 040075	PW540	110	95	117	112	67	93	101	96	100	108	105	-	BONMAG 200763
			<input checked="" type="checkbox"/>	DNA	-0.07	11.2	-0.97	7.2	-27.0	16.6	101	-43	9.9	8	22	6	04.12.20 (42)
			HJB 030230	21.02.11	86	82	82	85	63	75	56	29	59	59	58	-	BONMAG 140046
147	ARTHUR DE VILLIERS & SEUN	AG 150486 SP	AG 110275	PW365	98	107	97	92	106	103	97	97	103	84	98	-	BONMAG 200632
			<input checked="" type="checkbox"/>	DNA	1.28	16.4	-0.07	1.6	17.0	23.9	85	-45	12.6	-12	11	7.32	12.11.20 (38)
			MGH 130039	15.10.15	81	74	66	61	42	57	43	25	48	49	47	39.8	BONMAG 160083

1.03	13.4	-0.19	3.9	10	21.8	97	-53	9.8	1	14
------	------	-------	-----	----	------	----	-----	-----	---	----


Lot 142

<p>AG 120254 SPN Mat. 92 AFC 36 ICP 371 RI 107 Age/Calv. 8/6 Avg. WI/Calf 96/5</p>	<p>AG 080407 SPN Mat. 75</p>  <p>Elite-Gold</p> <p>AG 060290 SPN Mat. 115 Age/Calv. 13/11 Avg. WI/Calf 105/11</p>	<p>AG 030029 SPN Mat. 68</p> <p>AG 030347 AFC 23 SPN Mat. 85 ICP 485 Age/Calv. 10/7 Avg. WI/Calf 95/7</p> <p>AG 010258 SPN Mat. 97</p> <p>AG 010013 AFC 29 SPN Mat. 134 ICP 400 Age/Calv. 9/7 Avg. WI/Calf 110/7</p>	<p>AG 990142 SPN Mat. 91 AG 970109 SPN Mat. 77 AG 980338 SPN Mat. 86 AG 970202 SPN Mat. 102 AG 980338 SPN Mat. 86 AG 950251 SPN Mat. 108 AG 960184 SPN Mat. 112 AG 900041 SPN Mat. 104</p>
---	--	--	---


Lot 143

<p>AG 130567 SPN Mat. 78 AFC 26 ICP 358 RI 119 Age/Calv. 7/6 Avg. WI/Calf 99/5</p>	<p>AG 070494 SPN Mat. 83</p>  <p>AG 050652 SPN Mat. 92 Age/Calv. 14/12 Avg. WI/Calf 100/11</p>	<p>WAT 030085 SPN Mat. 96</p> <p>AG 020002 AFC 32 SPN Mat. 60 ICP 368 Age/Calv. 7/5 Avg. WI/Calf 82/6</p> <p>AG 000264 SPN Mat. 76</p> <p>AG 990581 AFC * SPN Mat. 120 ICP 424 Age/Calv. *7/7 Avg. WI/Calf 106/7</p>	<p>WAT 000200 SPN Mat. 113 WAT 980109 SPN Mat. 112 EI 940339 SPN Mat. 116 AG 990006 SPN Mat. 79 AG 970194 SPN Mat. 87 AG 950151 SPN Mat. 124</p>
---	---	--	---


Lot 144

<p>AG 110152 SPN Mat. 82 AFC 24 ICP 367 RI 118 Age/Calv. 9/8 Avg. WI/Calf 105/7</p>	<p>AG 070111 SPN Mat. 68</p>  <p>AG 080844 SPN Mat. 75 Age/Calv. 5/3 Avg. WI/Calf 87/3</p>	<p>AG 030029 SPN Mat. 68</p> <p>AG 020134 AFC 25 SPN Mat. 99 ICP 434 Age/Calv. 12/9 Avg. WI/Calf 103/9</p> <p>LAR 030398 SPN Mat. 70</p> <p>AG 020021 AFC 36 SPN Mat. 93 ICP 346 Age/Calv. 10/8 Avg. WI/Calf 100/7</p>	<p>AG 990142 SPN Mat. 91 AG 970109 SPN Mat. 77 AG 980200 SPN Mat. 101 AG 990159 SPN Mat. 104 LAR 010297 SPN Mat. 72 LAR 990031 SPN Mat. 85 AG 980338 SPN Mat. 86 AG 990149 SPN Mat. 100</p>
--	---	--	--


Lot 145

<p>AG 110110 SPN Mat. 85 AFC 30 ICP 374 RI 113 Age/Calv. 10/8 Avg. WI/Calf 97/7</p>	<p>AG 060401 SPN Mat. 78</p>  <p>AG 050206 SPN Mat. 95 Age/Calv. 8/6 Avg. WI/Calf 100/6</p>	<p>AG 010245 SPN Mat. 70</p> <p>AG 960278 AFC 26 SPN Mat. 96 ICP 415 Age/Calv. 17/14 Avg. WI/Calf 100/12</p> <p>AG 000100 SPN Mat. 91</p> <p>AG 030222 AFC 23 SPN Mat. 114 ICP 368 Age/Calv. 8/7 Avg. WI/Calf 105/7</p>	<p>AG 980338 SPN Mat. 86 AG 960015 SPN Mat. 80 AG J 0008 SPN Mat. 88 AG 940027 SPN Mat. 112 AG 970264 SPN Mat. 62 AG 980128 SPN Mat. 105 AG 000010 SPN Mat. 125 AG 010039 SPN Mat. 104</p>
--	--	---	---

Lot 146

<p>AG 110031 SPN Mat. 112 AFC 31 ICP 377 RI 112 Age/Calv. 10/8 Avg. WI/Calf 105/7</p>	<p>AJF 040075 SPN Mat. 117</p>  <p>HJB 030230 SPN Mat. 90 Age/Calv. 12/9 Avg. WI/Calf 99/8</p>	<p>KTB 960047 SPN Mat. 116</p> <p>AJF 990292 AFC 36 SPN Mat. 115 ICP 473 Age/Calv. 6/3 Avg. WI/Calf 109/3</p> <p>LA 980044 SPN Mat. 89</p> <p>HJB 000239 AFC 33 SPN Mat. 92 ICP 426 Age/Calv. 11/8 Avg. WI/Calf 102/8</p>	<p>KTB 920139 SPN Mat. 94 GTH K 0046 SPN Mat. 133 AJF 960288 SPN Mat. 112 AJF 950272 SPN Mat. 109 LA 900195 SPN Mat. 102 LA 950070 SPN Mat. 88 GB 920056 SPN Mat. 111 LA N 0146 SPN Mat. 76</p>
--	---	---	--

Lot 147

<p>AG 150486 SPN Mat. 92 AFC 35 ICP 391 RI 101 Age/Calv. 5/3 Avg. WI/Calf 105/2</p>	<p>AG 110275 SPN Mat. 86</p>  <p>MGH 130039 SPN Mat. 98 Age/Calv. 6/4 Avg. WI/Calf 105/4</p>	<p>AG 070458 SPN Mat. 85</p> <p>AG 050399 AFC 24 SPN Mat. 83 ICP 369 Age/Calv. 12/11 Avg. WI/Calf 99/11</p> <p>AG 080455 SPN Mat. 84</p> <p>MGH 070164 AFC 37 SPN Mat. 123 ICP 446 Age/Calv. 9/6 Avg. WI/Calf 112/5</p>	<p>AG 010245 SPN Mat. 70 AG 000415 SPN Mat. 112 LAR 010176 SPN Mat. 80 AG 000238 SPN Mat. 75 LAR 030398 SPN Mat. 70 AG 020180 SPN Mat. 95 TOR 030017 SPN Mat. 109 AG 020122 SPN Mat. 129</p>
--	---	---	---

VROULIKE DIERE

Lot	Verkoper	ID	POENA	Gen	OUERS		Toets	Teelwaarde indekse										Kalf ID	Gebruiker Eie Opmerkings	
					VADER GV OV	MOEDER GV OV		Genomies Getoets	Geb Dir	Speen Dir	Geb Mat	Speen Mat	Volwas- se Gewig	Naspeen- gewig	GDT	VOV	SO			Hgt
					DNS	Akk	Akk	Akk	Akk	Akk	Akk	Akk	Akk	Akk	Akk	Akk	Akk	GGV	Vaar	
					Geb. dat.	Gew kg	Gew kg	Ind	kg	kg	kg	365dM Ind	540d Ind	Ind	Ind	(mm)	(mm)	(mm)	SGV	GT / POLLED


Koeie met Kalwers

148	ARTHUR DE VILLIERS & SEUN	AG 150716	AG 110224	NS365	118	84	102	84	81	81	78	88	97	64	76	-	BONMAG 200437
			<input checked="" type="checkbox"/>	DNS	-0.87	5.9	-0.27	-0.5	-12.0	8.3	-6	-23	7.5	-28	-19	5.8	26.10.20 (33)
			AG 090493	19.10.15	80	75	69	70	50	60	45	20	48	49	48	37.7	BONMAG 160087
149	ARTHUR DE VILLIERS & SEUN	RHJ 160012	AG 080409	NS365	98	95	102	79	96	96	93	101	105	85	90	-	BONMAG 200662
			<input checked="" type="checkbox"/>	DNS	1.21	10.9	-0.29	-1.9	6.0	19.0	65	-55	14.0	-11	1	6.67	16.11.20 (34)
			AG 110403	11.03.16	81	75	72	68	55	66	53	33	55	55	55	-	BONMMCU 180096


Dragtige Koeie

150	ARTHUR DE VILLIERS & SEUN	AG 110295	AG 050263	NS365	91	106	73	99	117	103	95	97	84	86	95	-	143
			<input checked="" type="checkbox"/>	DNS	1.98	16.4	1.02	3.5	29.0	24.1	74	-46	-2.9	-10	8	6.73	9.4
			AG 030387	13.10.11	85	81	81	82	57	72	56	33	59	59	58	-	7
151	ARTHUR DE VILLIERS & SEUN	AG 110112	AG 070413	NS540	111	97	119	117	88	100	101	98	106	102	106	-	130
			<input checked="" type="checkbox"/>	DNS	-0.12	12.1	-1.05	8.6	-3.0	21.7	100	-47	14.9	3	23	5.5	10
			AG 010111	15.03.11	86	81	82	83	61	76	59	34	61	60	60	-	8
152	ARTHUR DE VILLIERS & SEUN	AG 110137	FCT 060109	NS540	92	114	104	115	101	109	101	95	119	101	107	-	128
			<input checked="" type="checkbox"/>	DNS	1.91	19.7	-0.40	8.0	11.0	28.0	100	-40	25.6	2	24	5.67	9.9
			AG 030228	20.04.11	86	82	84	85	61	76	57	31	59	60	59	-	8
153	ARTHUR DE VILLIERS & SEUN	AG 110780	AG 070458	NS365	83	108	103	117	98	105	103	99	95	102	106	-	145
			<input checked="" type="checkbox"/>	DNS	2.84	17.0	-0.34	8.7	8.0	25.7	109	-50	5.9	3	22	8.86	9.3
			AG 060105	26.11.11	85	81	80	83	58	72	55	42	57	57	56	-	7


Lot 148

<p>AG 150716 SPN Mat. 84 OEK 35 TKP 390 RI 102 Oud/Kalw. 5/3 Gem. SI/Kalf 95/2</p>	<p>AG 110224 SPN Mat. 95</p> 	<p>AG 070361 SPN Mat. 52</p> <p>AG 070097 OEK 31 SPN Mat. 113 TKP 425 Oud/Kalw. 11/8 Gem. SI/Kalf 105/7</p> <p>AG 060003 SPN Mat. 93</p> <p>AG 060142 OEK 24 SPN Mat. 80 TKP 385 Oud/Kalw. 5/4 Gem. SI/Kalf 101/4</p>	<p>LAR 010176 SPN Mat. 80 AG 030421 SPN Mat. 71 LAR 010176 SPN Mat. 80 AG 990243 SPN Mat. 136 AG 030327 SPN Mat. 85 AG 990301 SPN Mat. 107 AG 030181 SPN Mat. 73 AG 040206 SPN Mat. 90</p>
---	---	---	--


Lot 149

<p>RHJ 160012 SPN Mat. 79 OEK 33 TKP 357 RI 109 Oud/Kalw. 5/3 Gem. SI/Kalf 106/2</p>	<p>AG 080409 SPN Mat. 69</p> 	<p>LAR 030398 SPN Mat. 70</p> <p>AG 020165 OEK 30 SPN Mat. 110 TKP 422 Oud/Kalw. 15/12 Gem. SI/Kalf 101/12</p> <p>VV 070012 SPN Mat. 110 Goud</p> <p>AG 050203 OEK 24 SPN Mat. 97 TKP 381 Oud/Kalw. 12/11 Gem. SI/Kalf 103/11</p>	<p>LAR 010297 SPN Mat. 72 LAR 990031 SPN Mat. 85 AG 960059 SPN Mat. 110 AG 930026 SPN Mat. 95 VV 040046 SPN Mat. 114 VV 040214 SPN Mat. 112 AG 010152 SPN Mat. 100 AG 030021 SPN Mat. 94</p>
---	---	---	--


Lot 150

<p>AG 110295 SPN Mat. 99 OEK 24 TKP 426 RI 109 Oud/Kalw. 9/7 Gem. SI/Kalf 98/7</p>	<p>AG 050263 SPN Mat. 113</p> 	<p>AG 030256 SPN Mat. 85</p> <p>AG 950255 OEK 29 SPN Mat. 128 TKP 416 Oud/Kalw. 16/13 Gem. SI/Kalf 105/12</p> <p>AG 000264 SPN Mat. 76</p> <p>AG 000252 OEK 37 SPN Mat. 84 TKP 373 Oud/Kalw. 12/10 Gem. SI/Kalf 99/10</p>	<p>AG 980338 SPN Mat. 86 AG 930063 SPN Mat. 98 AG 920282 SPN Mat. 112 AG 900152 SPN Mat. 100 AG 970194 SPN Mat. 87 AG 950151 SPN Mat. 124 AG 970264 SPN Mat. 62 AG 980157 SPN Mat. 116</p>
---	--	---	--


Lot 151

<p>AG 110112 SPN Mat. 117 OEK 31 TKP 369 RI 113 Oud/Kalw. 10/8 Gem. SI/Kalf 101/8</p>	<p>AG 070413 SPN Mat. 105</p> 	<p>AG 030205 SPN Mat. 84</p> <p>AG 020165 OEK 30 SPN Mat. 110 TKP 422 Oud/Kalw. 15/12 Gem. SI/Kalf 101/12</p> <p>EI 940339 SPN Mat. 116</p> <p>AG 980250 OEK 35 SPN Mat. 126 TKP 443 Oud/Kalw. 15/11 Gem. SI/Kalf 106/10</p>	<p>AG 980338 SPN Mat. 86 AG 960246 SPN Mat. 96 AG 960059 SPN Mat. 110 AG 930026 SPN Mat. 95 EI 920079 SPN Mat. 128 EI 920048 SPN Mat. 104 AG 950059 SPN Mat. 102 AG 940258 SPN Mat. 110</p>
--	--	--	---

Lot 152

<p>Elite-Goud AG 110137 SPN Mat. 115 OEK 29 TKP 371 RI 114 Oud/Kalw. 10/8 Gem. SI/Kalf 106/8</p>	<p>FCT 060109 SPN Mat. 113</p> 	<p>FCT 040101 SPN Mat. 90</p> <p>FCT 980024 OEK 30 SPN Mat. 110 TKP 362 Oud/Kalw. 11/10 Gem. SI/Kalf 100/10</p> <p>RCO 980035 SPN Mat. 65</p> <p>AG 950083 OEK 36 SPN Mat. 94 TKP 415 Oud/Kalw. 15/12 Gem. SI/Kalf 102/11</p>	<p>BG 960125 SPN Mat. 101 FCT 020046 SPN Mat. 109 ROM 920141 SPN Mat. 107 RE 910118 SPN Mat. 116 TBR 910704 SPN Mat. 76 RCO 950062 SPN Mat. 78 AG 910138 SPN Mat. 73 AG 910205 SPN Mat. 110</p>
---	---	---	---

Lot 153

<p>AG 110780 SPN Mat. 117 OEK 22 TKP 429 RI 110 Oud/Kalw. 9/7 Gem. SI/Kalf 107/7</p>	<p>AG 070458 SPN Mat. 85</p> 	<p>AG 010245 SPN Mat. 70</p> <p>AG 000415 OEK 33 SPN Mat. 112 TKP 444 Oud/Kalw. 17/13 Gem. SI/Kalf 104/14</p> <p>WAT 030085 SPN Mat. 96</p> <p>AG 030304 OEK 22 SPN Mat. 82 TKP 376 Oud/Kalw. 8/7 Gem. SI/Kalf 97/5</p>	<p>AG 980338 SPN Mat. 86 AG 960015 SPN Mat. 80 AG 950023 SPN Mat. 96 AG 980005 SPN Mat. 100 WAT 000200 SPN Mat. 113 WAT 980109 SPN Mat. 112 RCO 980035 SPN Mat. 65 AG 970092 SPN Mat. 119</p>
---	---	---	---


FEMALE ANIMALS

Lot	Seller	ID	PARENTS	Test	Breeding Value Indexes											Days Open	Breeder Own Remarks		
					DIRECT CALF TRAITS		DAUGHTER TRAITS			GROWTH		EFF.	REP	MEASURE-MENTS				R:	
					Progeny Birth Weight	Progeny Wean Weight	Ease of Calving	Milk prod.	Mature Weight	Post Wean Weight	Daily Gain	Feed Conv			Height & Length				
			SIRE GV PV	Genomic Tested	Birth Dir	Wean Dir	Birth Mat	Wean Mat	Mat Wgt	Post Wean	ADG	FCR	SC	Hgt	Lgt	LHR	Age		
		POLLED	DAM GV PV	DNA	Acc	Acc	Acc	Acc	Acc	Acc	Acc	Acc	Acc	Acc	Acc	BWR		Calves	
		Gen	Birth Date	Wgt kg	Wgt kg	Ind	kg	kg	kg	365d Ind	540d Ind	Ind	Ind	(mm)	(mm)	(mm)			WWR


Pregnant Cows

154	ARTHUR DE VILLIERS & SEUN	AG 110286 SP	FCT 060109	PW365	102	89	113	97	75	86	84	87	95	85	93	-	152
				DNA	0.87	8.4	-0.78	3.2	-18.0	11.5	22	-20	6.1	-11	5	8.04	9.4
			AG 080058	11.10.11	37												
155	ARTHUR DE VILLIERS & SEUN	FUZ 110096 SP	AG 020263	PW540	91	86	99	98	96	83	97	101	92	88	94	-	75
				DNA	1.94	6.8	-0.16	3.2	5.0	9.8	84	-57	2.9	-8	6	-	9.4
			FUZ 980080	27.10.11	41												
156	ARTHUR DE VILLIERS & SEUN	AG 160828 SP	AG 130233	PW540	90	116	68	109	99	117	101	97	113	93	104	-	156
				DNA	2.11	20.8	1.24	6.5	9.0	34.0	102	-45	20.6	-5	19	10.65	4.3
			AG 140363	17.11.16	33												
157	ARTHUR DE VILLIERS & SEUN	AG 160313 SP	AG 090751	PW540	78	111	93	100	93	105	98	96	98	99	102	-	499
				DNA	3.35	18.4	0.10	4.0	2.0	25.3	86	-43	8.0	0	17	8	4.4
			AG 080735	08.10.16	40												
158	ARTHUR DE VILLIERS & SEUN	AG 160452 SP	AG 110231	PW540	81	107	89	86	104	108	110	106	93	98	102	-	474
				DNA	3.02	16.7	0.29	0.0	14.0	27.8	142	-70	3.9	0	16	6.94	4.4
			AG 070253	28.10.16	34												
159	ARTHUR DE VILLIERS & SEUN	AG 160049 SP	MCU 100109	PW365	113	90	139	80	82	82	73	85	83	72	82	-	134
				DNA	-0.35	8.6	-1.96	-1.7	-10.0	9.3	-29	-15	-4.0	-22	-12	7.03	5.1
			AG 080418	06.02.16	37												


Lot 154

<p>AG 110286 SPN Mat. 97 AFC 24 ICP 368 RI 119 Age/Calv. 9/8 Avg. WI/Calf 97/8</p>	<p>FCT 060109 SPN Mat. 113</p> 	<p>FCT 040101 SPN Mat. 90</p>	<p>BG 960125 SPN Mat. 101 FCT 020046 SPN Mat. 109 ROM 920141 SPN Mat. 107 RE 910118 SPN Mat. 116 AG 020251 SPN Mat. 121 AG 930063 SPN Mat. 98 AG 920046 SPN Mat. 123 AG 910027 SPN Mat. 99</p>
<p>AFC 31 SPN Mat. 112 ICP 424 Age/Calv. 12/9 RI 103 Avg. WI/Calf 101/9</p>	<p>AG 080058</p>	<p>AG 040310 SPN Mat. 118</p>	<p>AG 000031 SPN Mat. 127 Age/Calv. 11/9 Avg. WI/Calf 105/8</p>


Lot 155

<p>FUZ 110096 SPN Mat. 98 AFC 25 ICP 369 RI 117 Age/Calv. 9/8 Avg. WI/Calf 97/6</p>	<p>AG 020263 SPN Mat. 68</p> 	<p>AG 980338 SPN Mat. 86</p>	<p>AG 930210 SPN Mat. 103 AG 920184 SPN Mat. 102 AG J 0008 SPN Mat. 88 AG H 0061 SPN Mat. 85 LDW N 0001 SPN Mat. 92 LDW L 0002 SPN Mat. 83 RE H 0502 SPN Mat. 128 FUZ 0098 SPN Mat. 112</p>
<p>AFC 34 SPN Mat. 126 ICP 370 Age/Calv. 13/11 RI 111 Avg. WI/Calf 104/11</p>	<p>FUZ 980080</p>	<p>LDW 920204 SPN Mat. 91</p>	<p>FUZ 920114 AFC 36 SPN Mat. 132 ICP 371 Age/Calv. 6/4 Avg. WI/Calf 109/4</p>


Lot 156

<p>AG 160828 SPN Mat. 109 AFC 32 ICP 445 RI 101 Age/Calv. 4/2 Avg. WI/Calf 98/2</p>	<p>AG 130233 SPN Mat. 92</p> 	<p>AG 090094 SPN Mat. 95</p>	<p>WBB 070035 SPN Mat. 95 AG 020194 SPN Mat. 74 AG 070040 SPN Mat. 95 AG 080717 SPN Mat. 87 AG 060027 SPN Mat. 89 AG 060106 SPN Mat. 97 AG 000010 SPN Mat. 125 AG 950558 SPN Mat. 125</p>
<p>AFC 25 SPN Mat. 112 ICP 343 Age/Calv. 5/4 RI 123 Avg. WI/Calf 107/4</p>	<p>AG 140363</p>	<p>AG 030551 AFC 35 SPN Mat. 132 ICP 410 Age/Calv. 13/10 Avg. WI/Calf 112/10</p>	


Lot 157

<p>AG 160313 SPN Mat. 100 AFC 37 ICP RI 88 Age/Calv. 3/1 Avg. WI/Calf 93/1</p>	<p>AG 090751 SPN Mat. 109</p> 	<p>CEF 040431 SPN Mat. 88</p>	<p>CEF 020328 SPN Mat. 89 CEF 950055 SPN Mat. 84 AG 950059 SPN Mat. 102 AG 940258 SPN Mat. 110 AG 980338 SPN Mat. 86 AG 930063 SPN Mat. 98 JDB 990028 SPN Mat. 85 DB 970001 SPN Mat. 83</p>
<p>AFC 24 SPN Mat. 96 ICP 363 Age/Calv. 11/10 RI 119 Avg. WI/Calf 98/9</p>	<p>AG 080735</p>	<p>AG 030256 SPN Mat. 85</p>	<p>BZ 030125 AFC 35 SPN Mat. 100 ICP 371 Age/Calv. 14/12 Avg. WI/Calf 102/11</p>

Lot 158

<p>AG 160452 SPN Mat. 86 AFC 24 ICP 408 RI 122 Age/Calv. 3/2 Avg. WI/Calf 96/2</p>	<p>AG 110231 SPN Mat. 89</p> 	<p>AG 070745 SPN Mat. 95</p>	<p>WAT 030085 SPN Mat. 96 AG 030221 SPN Mat. 112 LAR 030312 SPN Mat. 108 AG 040150 SPN Mat. 113 AG 980338 SPN Mat. 86 AG 960246 SPN Mat. 96 AG 950284 SPN Mat. 58 HJB 000160 SPN Mat. 88</p>
<p>AFC 25 SPN Mat. 84 ICP 366 Age/Calv. 11/10 RI 118 Avg. WI/Calf 99/10</p>	<p>AG 070253</p>	<p>AG 030205 SPN Mat. 84</p>	<p>HJB 030235 AFC 37 SPN Mat. 74 ICP 425 Age/Calv. 14/10 Avg. WI/Calf 94/10</p>

Lot 159

<p>AG 160049 SPN Mat. 80 AFC 30 ICP 403 RI 108 Age/Calv. 5/3 Avg. WI/Calf 96/2</p>	<p>MCU 100109 Pp(c) SPN Mat. 93</p> 	<p>JJ 040115 SPN Mat. 121</p>	<p>MMJ 000319 SPN Mat. 112 JJ 000072 SPN Mat. 134 DFJ 000029 P SPN Mat. 71 MCU 970028 SPN Mat. 108 AG 980338 SPN Mat. 86 AG 960246 SPN Mat. 96 AG J 0008 SPN Mat. 88 AG 950003 SPN Mat. 71</p>
<p>AFC 25 SPN Mat. 83 ICP 370 Age/Calv. 10/9 RI 117 Avg. WI/Calf 99/9</p>	<p>AG 080418</p>	<p>AG 030205 SPN Mat. 84</p>	<p>AG 970197 AFC 25 SPN Mat. 74 ICP 380 Age/Calv. 15/13 Avg. WI/Calf 96/13</p>





VROULIKE DIERE

Lot	Verkoper	ID	OUERS	Toets	Teelwaarde indekse											Dae Oop	Gebruiker Eie Opmerkings		
					DIREKTE KALF EIENSKAPPE		DOGTER EIENSKAPPE			GROEI		DOEL	REP	MATES				V:	
		VADER GV OV		Genomies Getoets	Geb Dir	Speen Dir	Geb Mat	Speen Mat	Volwas- se Gewig	Naspeen- gewig	Daaglikse Toename	Voer- omset		Hoogte & Lengte		LHV			
		MOEDER GV OV		DNS	Akk	Akk	Akk	Akk	Akk	Akk	Akk	Akk	Akk	Akk	Akk	GGV			
		Gen		Geb. dat.	Gew kg	Gew kg	Ind	kg	kg	kg	365d Ind	540d Ind	Ind	Ind	(mm)	(mm)	(mm)	SGV	Kalwers





Dragtige Koeie

160	ARTHUR DE VILLIERS & SEUN	AG 160117	AG 110215	NS365	91	106	123	96	94	111	112	114	114	99	101	-	528		
			<input checked="" type="checkbox"/>			2.02	16.3	-1.22	2.9	3.0	29.4	155	-89	20.8	0	16		6.62	4.9
			AG 020245	DNS	81	77	69	73	58	66	52	36	55	56	55				
		SP	<input checked="" type="checkbox"/>	17.04.16	36													2	
161	ARTHUR DE VILLIERS & SEUN	AG 160884	AG 110215	NS540	94	105	132	86	89	110	104	100	110	94	99	-	475		
			<input checked="" type="checkbox"/>			1.64	15.7	-1.63	-0.1	-3.0	29.0	116	-54	18.1	-3	13		6.8	4.3
			AG 070347	DNS	80	74	69	62	47	70	47	29	50	51	50				
		SP	<input checked="" type="checkbox"/>	01.12.16	34													40.5	2
162	ARTHUR DE VILLIERS & SEUN	AG 160272	AG 110317	NS540	107	88	142	93	48	87	78	88	106	73	82	-	508		
			<input checked="" type="checkbox"/>			0.26	7.7	-2.11	2.0	-48.0	12.3	-8	-23	14.5	-21	-10		8.05	4.5
			AG 120486	DNS	81	74	67	66	52	69	46	29	49	50	49				
		SP	<input checked="" type="checkbox"/>	29.09.16	33													51.9	2
163	ARTHUR DE VILLIERS & SEUN	AG 160508	AG 130410	NS540	100	96	118	95	73	86	92	100	93	80	84	-	595		
			<input checked="" type="checkbox"/>			1.03	11.4	-1.02	2.4	-21.0	11.7	59	-52	4.3	-15	-8			
			AG 130584	DNS	77	73	57	62	43	54	32	17	34	35	34				
		SP	<input checked="" type="checkbox"/>	26.09.16	30														1
164	ARTHUR DE VILLIERS & SEUN	AG 160766	AG 110192	NS540	103	95	113	86	79	92	93	98	107	83	90	-	126		
			<input checked="" type="checkbox"/>			0.68	11.1	-0.78	0.1	-13.0	16.3	65	-49	15.6	-13	1		7.5	4.3
			AG 070067	DNS	81	74	71	61	43	69	47	29	51	52	50				
		SP	<input checked="" type="checkbox"/>	10.11.16	33													33.2	3
165	ARTHUR DE VILLIERS & SEUN	AG 170701	JL 100198	NS540	107	94	129	104	87	95	100	99	104	98	97	-	519		
			<input checked="" type="checkbox"/>			0.31	10.4	-1.52	5.1	-4.0	18.1	99	-51	12.8	-1	10			
			AG 120214	DNS	79	75	64	67	47	70	50	29	53	53	52				
		SP	<input checked="" type="checkbox"/>	18.10.17	33													47.9	1





Lot 160

AG 160117 SPN Mat. 96 OEK 29 TKP 371 RI 112 Oud/Kalw. 3/2 Gem. SI/Kalf 101/2	 AG 110215 SPN Mat. 95		AG 020297 OEK 23 TKP 413 SPN Mat. 89 Oud/Kalw. 11/9 Gem. SI/Kalf 108/9		VV 070012 SPN Mat. 110 Goud Elite-Goud		VV 040046 SPN Mat. 114 VV 040214 SPN Mat. 112 AG 960184 SPN Mat. 112 AG 930179 SPN Mat. 75 AG 930210 SPN Mat. 103 AG 920184 SPN Mat. 102 AG J 0008 SPN Mat. 88 AG 930123 SPN Mat. 77





Lot 161

AG 160884 SPN Mat. 86 OEK 23 TKP 383 RI 124 Oud/Kalw. 3/2 Gem. SI/Kalf 103/2	 AG 110215 SPN Mat. 95		AG 020297 OEK 23 TKP 413 SPN Mat. 89 Oud/Kalw. 11/9 Gem. SI/Kalf 108/9		VV 070012 SPN Mat. 110 Goud Elite-Goud		VV 040046 SPN Mat. 114 VV 040214 SPN Mat. 112 AG 960184 SPN Mat. 112 AG 930179 SPN Mat. 75 EI 980080 SPN Mat. 88 EI 990057 SPN Mat. 100 AG 980338 SPN Mat. 86 AG 000105 SPN Mat. 109





Lot 162

AG 160272 SPN Mat. 93 OEK 25 TKP 367 RI 122 Oud/Kalw. 3/2 Gem. SI/Kalf 97/2	 AG 110317 SPN Mat. 103		AG 030322 OEK 24 TKP 424 SPN Mat. 108 Oud/Kalw. 9/7 Gem. SI/Kalf 103/7		VV 070012 SPN Mat. 110 Goud		VV 040046 SPN Mat. 114 VV 040214 SPN Mat. 112 RCO 000091 SPN Mat. 68 AG 980145 SPN Mat. 131 FCT 040101 SPN Mat. 90 FCT 980024 SPN Mat. 110 AG 060481 SPN Mat. 90 AG 980309 SPN Mat. 81




Lot 163

AG 160508 SPN Mat. 95 OEK 34 TKP RI 97 Oud/Kalw. 3/1 Gem. SI/Kalf 99/1	 AG 130410 SPN Mat. 95		AG 070404 OEK 35 TKP 369 SPN Mat. 100 Oud/Kalw. 10/8 Gem. SI/Kalf 101/7		AG 080210 SPN Mat. 96		HJS 030016 SPN Mat. 102 BZ 020158 SPN Mat. 127 AG 010289 SPN Mat. 112 AG 050377 SPN Mat. 70 WAT 030085 SPN Mat. 96 AG 020002 SPN Mat. 60 CAM 040223 SPN Mat. 74 AG 030590 SPN Mat. 105

Lot 164

AG 160766 SPN Mat. 86 OEK 24 TKP 360 RI 122 Oud/Kalw. 4/3 Gem. SI/Kalf 93/2	 AG 110192 SPN Mat. 84		AG 030031 OEK 30 TKP 475 SPN Mat. 87 Oud/Kalw. 12/8 Gem. SI/Kalf 99/8		VV 070012 SPN Mat. 110 Goud		VV 040046 SPN Mat. 114 VV 040214 SPN Mat. 112 AG 990142 SPN Mat. 91 AG 980093 SPN Mat. 90 AG 960233 SPN Mat. 104 AG 980186 SPN Mat. 97 AG 920282 SPN Mat. 112 AG L 0038 SPN Mat. 94

Lot 165

AG 170701 P SPN Mat. 104 OEK 24 TKP RI 128 Oud/Kalw. 2/1 Gem. SI/Kalf 94/1	 JL 100198 SPN Mat. 117		AG 040310 SPN Mat. 118 EI 940254 OEK 30 TKP 473 SPN Mat. 145 Oud/Kalw. 18/13 Gem. SI/Kalf 104/12		AG 020251 SPN Mat. 121 AG 930063 SPN Mat. 98 CX N 0029 SPN Mat. 105 EI J 0262 SPN Mat. 117 EI 040038 SPN Mat. 91 AG 910197 SPN Mat. 113 AG 960097 SPN Mat. 68 AG 920060 SPN Mat. 85

FEMALE ANIMALS

Lot	Seller	ID	PARENTS	Test	Breeding Value Indexes											Days Open	Breeder Own Remarks						
					SIRE GV PV	Genomic Tested	Birth Dir		Wean Dir		Birth Mat	Wean Mat	Mat Wgt	Post Wean				ADG	FCR	SC	Hgt	Lgt	LHR
							DNA	Acc	Acc	Acc	Acc	Acc	Acc	Acc	Acc			Acc	Acc	Acc	Acc	Acc	Acc
		Gen	DAM GV PV	Birth Date	Wgt kg	Wgt kg	Ind	kg	kg	kg	365d Ind	540d Ind	Ind	Ind	(mm)	(mm)	(mm)	WWR	Age	Calves			

Pregnant Cows


166	ARTHUR DE VILLIERS & SEUN	AG 171068 SP	AG 080409	PW540	93	97	86	93	98	97	88	95	103	82	90	-	269
			<input checked="" type="checkbox"/>		1.72	12.0	0.45	2.1	7.0	19.8	40	-42	11.9	-13	1	-	3.2
			AG 110070	DNA	80	76	66	68	49	66	53	30	55	55	55	-	3.2
167	ARTHUR DE VILLIERS & SEUN	AG 150762 SP	SYF 120100	PW365	98	92	85	114	89	97	98	100	94	81	92	-	430
			<input checked="" type="checkbox"/>		1.23	9.6	0.47	7.7	-3.0	19.5	90	-53	4.7	-15	4	6.8	
			AG 070467	DNA	80	75	66	65	43	62	49	28	53	54	52	35.9	
168	ARTHUR DE VILLIERS & SEUN	AG 150330 SP	AG 110301	PW365	108	107	116	100	95	102	99	91	121	104	106	-	606
			<input checked="" type="checkbox"/>		0.24	16.7	-0.93	3.9	5.0	23.1	93	-29	26.5	4	22	8.57	
			AG 120113	DNA	79	75	64	69	49	62	43	26	46	47	45	-	
169	ARTHUR DE VILLIERS & SEUN	AG 150724 SP	AG 090751	PW365	95	108	117	102	99	104	96	96	99	91	101	-	516
			<input checked="" type="checkbox"/>		1.58	16.9	-0.97	4.4	9.0	24.8	77	-42	9.0	-6	15	7.39	
			AG 100104	DNA	80	76	69	73	55	66	52	31	54	55	54	40.5	
170	ARTHUR DE VILLIERS & SEUN	AG 150372 SP	EMH 100077	PW365	80	107	85	108	117	105	95	103	100	96	98	-	543
			<input checked="" type="checkbox"/>		3.17	16.5	0.47	6.1	29.0	25.1	76	-60	9.8	-2	12	6.8	
			AG 080468	DNA	80	76	65	70	48	64	44	22	48	49	47	35.6	
171	ARTHUR DE VILLIERS & SEUN	AG 150021 SP	AG 080409	PW540	104	92	122	81	87	91	87	94	92	82	86	-	192
			<input checked="" type="checkbox"/>		0.64	9.4	-1.21	-1.4	-5.0	15.0	36	-39	3.2	-13	-5	6.47	
			AG 070347	DNA	83	78	76	77	55	72	53	31	56	56	55	-	

Breed Average


1.03	13.4	-0.19	3.9	10	21.8	97	-53	9.8	1	14
------	------	-------	-----	----	------	----	-----	-----	---	----

02/2021: SA Stud Book


Lot 166

<p>AG 171068 SPN Mat. 93 AFC 30 ICP RI 110 Age/Calv. 2/1 Avg. WI/Calf 94/1</p>	<p>AG 080409 SPN Mat. 69</p> 	<p>AG 110070 SPN Mat. 117 Age/Calv. 10/7 Avg. WI/Calf 105/7</p>	<p>LAR 030398 SPN Mat. 70</p> <p>AG 020165 AFC 30 SPN Mat. 110 ICP 422 Age/Calv. 15/12 Avg. WI/Calf 101/12</p> <p>FCT 060109 SPN Mat. 113</p> <p>AG 040372 AFC 22 SPN Mat. 93 ICP 406 Age/Calv. 13/11 Avg. WI/Calf 100/10</p>	<p>LAR 010297 SPN Mat. 72 LAR 990031 SPN Mat. 85 AG 960059 SPN Mat. 110 AG 930026 SPN Mat. 95 FCT 040101 SPN Mat. 90 FCT 980024 SPN Mat. 110 AG 020145 SPN Mat. 92 AG 950083 SPN Mat. 94</p>
---	--	---	---	---


Lot 167

<p>AG 150762 SPN Mat. 114 AFC 36 ICP 428 RI 93 Age/Calv. 4/2 Avg. WI/Calf 108/2</p>	<p>SYF 120100 SPN Mat. 95</p> 	<p>AG 070467 SPN Mat. 115 Age/Calv. 10/8 Avg. WI/Calf 104/8</p>	<p>ADV 070154 SPN Mat. 103</p> <p>SYF 070176 AFC 29 SPN Mat. 84 ICP 364 Age/Calv. 10/9 Avg. WI/Calf 97/9</p> <p>LAR 030312 SPN Mat. 108</p> <p>AG 040150 AFC 25 SPN Mat. 113 ICP 493 Age/Calv. 6/4 Avg. WI/Calf 106/4</p>	<p>LAR 030398 SPN Mat. 70 ADV 030008 SPN Mat. 123 LAR 030398 SPN Mat. 70 SYF 040011 SPN Mat. 103 LAR 010297 SPN Mat. 72 LAR 990317 SPN Mat. 87 AG 010289 SPN Mat. 112 AG 020199 SPN Mat. 98</p>
--	---	---	---	--


Lot 168

<p>AG 150330 SPN Mat. 100 AFC 34 ICP 378 RI 102 Age/Calv. 4/2 Avg. WI/Calf 100/2</p>	<p>AG 110301 SPN Mat. 111</p> 	<p>AG 120113 SPN Mat. 91 Age/Calv. 5/3 Avg. WI/Calf 107/3</p>	<p>VV 070012 SPN Mat. 110 Gold Elite-Gold</p> <p>AG 040253 AFC 24 SPN Mat. 104 ICP 406 Age/Calv. 12/10 Avg. WI/Calf 105/10</p> <p>JPL 090116 P SPN Mat. 67</p> <p>AG 090166 AFC 36 SPN Mat. 91 ICP 437 Age/Calv. 5/3 Avg. WI/Calf 98/3</p>	<p>VV 040046 SPN Mat. 114 VV 040214 SPN Mat. 112 RAI 990034 SPN Mat. 88 AG 980005 SPN Mat. 100 GJN 060212 SPN Mat. 73 JPL 070039 P SPN Mat. 57 MMJ 030227 SPN Mat. 106 AG 070096 SPN Mat. 79</p>
---	---	---	--	---


Lot 169

<p>AG 150724 SPN Mat. 102 AFC 35 ICP 385 RI 99 Age/Calv. 4/2 Avg. WI/Calf 98/2</p>	<p>AG 090751 SPN Mat. 109</p> 	<p>AG 100104 SPN Mat. 101 Age/Calv. 9/7 Avg. WI/Calf 99/7</p>	<p>CEF 040431 SPN Mat. 88</p> <p>AG 980250 AFC 35 SPN Mat. 126 ICP 443 Age/Calv. 15/11 Avg. WI/Calf 106/10</p> <p>AG 060027 SPN Mat. 89</p> <p>BFB 000102 AFC 37 SPN Mat. 109 ICP 464 Age/Calv. 9/6 Avg. WI/Calf 108/5</p>	<p>CEF 020328 SPN Mat. 89 CEF 950055 SPN Mat. 84 AG 950059 SPN Mat. 102 AG 940258 SPN Mat. 110 LAR 010176 SPN Mat. 80 AG 020147 SPN Mat. 125 AG 960315 SPN Mat. 97 FDEV940002 SPN Mat. 101</p>
---	---	---	--	---


Lot 170

<p>AG 150372 SPN Mat. 108 AFC 35 ICP 401 RI 98 Age/Calv. 4/2 Avg. WI/Calf 103/2</p>	<p>EMH 100077 SPN Mat. 119</p> 	<p>EMH 990140 AFC 26 SPN Mat. 111 ICP 400 Age/Calv. 11/9 Avg. WI/Calf 106/9</p> <p>LAR 030398 SPN Mat. 70</p> <p>AG 080468 AFC 25 SPN Mat. 88 ICP 416 Age/Calv. 10/8 RI 109 Avg. WI/Calf 100/7</p> <p>AG 020189 AFC 29 SPN Mat. 100 ICP 404 Age/Calv. 10/8 Avg. WI/Calf 102/7</p>	<p>HCO 080026 SPN Mat. 111</p> <p>EMH 960139 SPN Mat. 85 LAR 010297 SPN Mat. 72 LAR 990031 SPN Mat. 85 AG 980338 SPN Mat. 86 AG 950013 SPN Mat. 101</p>	<p>AG 040422 SPN Mat. 93 EI 050139 SPN Mat. 112 AG 950183 SPN Mat. 107 EMH 960139 SPN Mat. 85 LAR 010297 SPN Mat. 72 LAR 990031 SPN Mat. 85 AG 980338 SPN Mat. 86 AG 950013 SPN Mat. 101</p>
--	--	---	---	---

Lot 171


<p>AG 150021 SPN Mat. 81 AFC 30 ICP 375 RI 112 Age/Calv. 6/4 Avg. WI/Calf 104/3</p>	<p>AG 080409 SPN Mat. 69</p> 	<p>AG 070347 SPN Mat. 78 Age/Calv. 10/9 Avg. WI/Calf 98/9</p>	<p>LAR 030398 SPN Mat. 70</p> <p>AG 020165 AFC 30 SPN Mat. 110 ICP 422 Age/Calv. 15/12 Avg. WI/Calf 101/12</p> <p>EI 040038 SPN Mat. 91</p> <p>AG 040103 AFC 25 SPN Mat. 75 ICP 373 Age/Calv. 13/12 Avg. WI/Calf 97/11</p>	<p>LAR 010297 SPN Mat. 72 LAR 990031 SPN Mat. 85 AG 960059 SPN Mat. 110 AG 930026 SPN Mat. 95 EI 980080 SPN Mat. 88 EI 990057 SPN Mat. 100 AG 980338 SPN Mat. 86 AG 000105 SPN Mat. 109</p>
--	--	---	--	--

Lot 172

<p>AG 150882 SPN Mat. 105 OEK 33 TKP 426 RI 101 Oud/Kalw. 4/2 Gem. Sl/Kalf 105/2</p>	<p>AG 090751 SPN Mat. 109</p> 	<p>AG 110465 SPN Mat. 95 Oud/Kalw. 9/7 Gem. Sl/Kalf 101/7</p>
---	--	--


<p>AG 040431 SPN Mat. 88</p>	<p>AG 980250 SPN Mat. 126 Oud/Kalw. 15/11 Gem. Sl/Kalf 106/10</p>	<p>AG 950059 SPN Mat. 84 AG 950059 SPN Mat. 102 AG 940258 SPN Mat. 110 CSW 030109 SPN Mat. 96 AG 050042 SPN Mat. 101 CEF 050503 SPN Mat. 87 AG 050183 SPN Mat. 56</p>
---	--	--

Lot 173

<p>AG 140342 SPN Mat. 88 OEK 36 TKP 358 RI 106 Oud/Kalw. 6/4 Gem. Sl/Kalf 94/3</p>	<p>HCO 090044 SPN Mat. 115</p> 	<p>AG 050297 SPN Mat. 81 Oud/Kalw. 13/12 Gem. Sl/Kalf 100/12</p>
---	---	---


<p>AG 030346 SPN Mat. 115 Elite-Goud HJB 060044 SPN Mat. 94 Oud/Kalw. 11/9 Gem. Sl/Kalf 101/9</p>	<p>AG 000263 SPN Mat. 84 Oud/Kalw. 14/11 Gem. Sl/Kalf 96/9</p>	<p>VV 000318 SPN Mat. 87 VV 970265 SPN Mat. 136 RCO 010162 SPN Mat. 69 HJB 010959 SPN Mat. 111 AG 970048 SPN Mat. 87 LAR 980262 SPN Mat. 92 AG 970194 SPN Mat. 87 AG 950167 SPN Mat. 92</p>
---	---	---

Lot 174

<p>AG 130494 SPN Mat. 96 OEK 33 TKP 397 RI 105 Oud/Kalw. 6/4 Gem. Sl/Kalf 103/4</p>	<p>AG 090751 SPN Mat. 109</p> 	<p>AG 060087 SPN Mat. 67 Oud/Kalw. 12/11 Gem. Sl/Kalf 96/11</p>
--	--	--


<p>AG 040431 SPN Mat. 88</p>	<p>AG 980250 SPN Mat. 126 Oud/Kalw. 15/11 Gem. Sl/Kalf 106/10</p>	<p>AG 950059 SPN Mat. 84 AG 950059 SPN Mat. 102 AG 940258 SPN Mat. 110 AG 980338 SPN Mat. 86 AG 930049 SPN Mat. 81 AG 980338 SPN Mat. 86 AG 950091 SPN Mat. 87</p>
---	--	---

Lot 175

<p>AG 140273 SPN Mat. 110 OEK 35 TKP 425 RI 98 Oud/Kalw. 5/3 Gem. Sl/Kalf 106/3</p>	<p>TOR 050216 SPN Mat. 111</p> 	<p>AG 080374 SPN Mat. 89 Oud/Kalw. 12/10 Gem. Sl/Kalf 103/8</p>
--	---	--


<p>AG 010051 SPN Mat. 107</p>	<p>RAI 020013 SPN Mat. 109 Oud/Kalw. 3/2 Gem. Sl/Kalf 110/2</p>	<p>AG 960059 SPN Mat. 110 AG 920184 SPN Mat. 102 EI 940339 SPN Mat. 116 RAI 910021 SPN Mat. 93 VV 010230 SPN Mat. 59 VV 000463 SPN Mat. 113 AG 980311 SPN Mat. 88 AG 980013 SPN Mat. 83</p>
--	--	---

Lot 176

<p>AG 170284 SPN Mat. 104 OEK 25 TKP 345 RI 122 Oud/Kalw. 3/2 Gem. Sl/Kalf 106/2</p>	<p>JL 100198 SPN Mat. 117</p> 	<p>AG 120182 SPN Mat. 95 Oud/Kalw. 8/6 Gem. Sl/Kalf 101/5</p>
---	--	--

<p>AG 040310 SPN Mat. 118</p>	<p>EI 940254 SPN Mat. 145 Oud/Kalw. 18/13 Gem. Sl/Kalf 104/12</p>	<p>AG 020251 SPN Mat. 121 AG 930063 SPN Mat. 98 CX N 0029 SPN Mat. 105 EI J 0262 SPN Mat. 117 LAR 030312 SPN Mat. 108 AG 040285 SPN Mat. 70 VV 040146 SPN Mat. 68 AG 030322 SPN Mat. 108</p>
--	--	--

Lot 177

<p>AG 170137 SPN Mat. 107 OEK 27 TKP 381 RI 117 Oud/Kalw. 3/2 Gem. Sl/Kalf 107/2</p>	<p>AG 130456 SPN Mat. 101</p> 	<p>AG 140380 SPN Mat. 115 Oud/Kalw. 6/4 Gem. Sl/Kalf 103/3</p>
---	--	---

<p>AG 080204 SPN Mat. 120</p>	<p>AG 040418 SPN Mat. 87 Oud/Kalw. 14/13 Gem. Sl/Kalf 100/13</p>	<p>AG 020251 SPN Mat. 121 AG 010239 SPN Mat. 89 AG 020251 SPN Mat. 121 AG 950095 SPN Mat. 84 PAD 070131 SPN Mat. 82 AG 990231 SPN Mat. 129 PAD 070093 SPN Mat. 101 AG 090301 SPN Mat. 66</p>
--	---	--

FEMALE ANIMALS

Lot	Seller	ID	POLLED	Gen	PARENTS		Test	Breeding Value Indexes										Days Open	Breeder Own Remarks		
					SIRE	PV		Genomic Tested	Birth Dir	Wean Dir	Birth Mat	Wean Mat	Mat Wgt	Post Wean	ADG	FCR	SC			Hgt	Lgt
				DAM		DNA	Acc	Acc	Acc	Acc	Acc	Acc	Acc	Acc	Acc	Acc	Acc	Acc	Acc	Acc	Age
				GV	PV		Birth Date	Wgt kg	Wgt kg	Ind	kg	kg	kg	365d Ind	540d Ind	Ind	Ind	(mm)	(mm)	(mm)	Calves

Pregnant Cows

178	ARTHUR DE VILLIERS & SEUN	AG 171042	AG 110215	PW540	85	112	125	106	106	116	114	103	111	100	109	-	180	
			<input checked="" type="checkbox"/>		2.63	18.8	-1.34	5.6	17.0	33.4	163	-60	18.8	1	26	-	3.2	
			AG 110002	DNA	81	73	67	60	46	68	46	29	49	50	48	-		
		SP	<input checked="" type="checkbox"/>	17.12.17	38												39.7	2


Cows with Calves

179	ARTHUR DE VILLIERS & SEUN	AG 110815	AG 080431	PW365	80	105	107	108	107	111	115	103	100	102	106	-	BONFAG 210012	
			<input checked="" type="checkbox"/>		3.18	15.9	-0.52	6.1	17.0	29.9	167	-62	9.7	3	23	6.91	26.01.21 (40)	
			AG 040065	DNA	84	80	78	83	64	70	52	31	55	56	55	-	BONMAJF 130331	
		SP	<input checked="" type="checkbox"/>	13.12.11	38												-	
180	ARTHUR DE VILLIERS & SEUN	AG 110759	PAD 060055	PW365	119	80	131	99	84	83	92	93	88	90	87	-	BONFAG 210016	
			<input checked="" type="checkbox"/>		-0.99	3.9	-1.62	3.7	-8.0	9.3	60	-34	0.1	-7	-4	6.6	16.02.21 (33)	
			AG 060183	DNA	84	80	79	82	60	68	43	25	46	47	46	-	-	
		SP	<input checked="" type="checkbox"/>	23.11.11	33												-	
181	ARTHUR DE VILLIERS & SEUN	AG 110251	PAD 070093	PW365	100	112	115	103	82	100	96	97	98	96	102	-	BONMAG 210027	
			<input checked="" type="checkbox"/>		1.05	18.9	-0.90	4.8	-10.0	22.0	77	-45	8.0	-2	16	7.25	05.03.21 (36)	
			AG 090024	DNA	84	81	78	83	51	71	44	19	48	48	47	-	-	
		SP	<input checked="" type="checkbox"/>	07.10.11	29												-	


Pregnant Cows

181 A	ARTHUR DE VILLIERS & SEUN	AG 110058	FCT 060109	PW540	109	85	107	113	76	80	83	87	108	83	93	-	87	
			<input checked="" type="checkbox"/>		0.06	6.4	-0.52	7.6	-17.0	7.6	17	-21	16.5	-12	4	5.67	10	
			BZ 010096	DNA	87	82	82	84	58	78	55	31	57	58	57	-	8	
		SP	<input checked="" type="checkbox"/>	27.02.11	34												-	
181 B	ARTHUR DE VILLIERS & SEUN	AG 110465	PAD 070093	PW365	112	92	112	95	89	94	93	87	100	91	95	-	157	
			<input checked="" type="checkbox"/>		-0.22	9.8	-0.74	2.5	-2.0	17.2	62	-20	9.8	-6	7	7.89	9.4	
			AG 090301	DNA	85	82	81	84	61	70	45	20	49	49	48	-	7	
		SP	<input checked="" type="checkbox"/>	08.11.11	28												-	7


Lot 178

<p>AG 171042 SPN Mat. 106 AFC 23 ICP 312 RI 130 Age/Calv. 3/2 Avg. WI/Calf 102/2</p>	<p>AG 110215 SPN Mat. 95</p>  <p>AG 110002 SPN Mat. 118 Age/Calv. 9/6 Avg. WI/Calf 105/5</p>	<p>VV 070012 SPN Mat. 110 Gold Elite-Gold AG 020297 AFC 23 SPN Mat. 89 ICP 413 Age/Calv. 11/9 Avg. WI/Calf 108/9 PAD 070131 SPN Mat. 82 AG 000005 AFC 32 SPN Mat. 132 ICP 372 Age/Calv. 14/12 Avg. WI/Calf 105/11</p>	<p>VV 040046 SPN Mat. 114 VV 040214 SPN Mat. 112 AG 960184 SPN Mat. 112 AG 930179 SPN Mat. 75 EI 040038 SPN Mat. 91 SLH 960053 SPN Mat. 88 AG 920046 SPN Mat. 123 AG 910184 SPN Mat. 139</p>
---	---	--	---


Lot 179

<p>Elite-Silver AG 110815 SPN Mat. 108 AFC 33 ICP 387 RI 108 Age/Calv. 9/7 Avg. WI/Calf 105/6</p>	<p>AG 080431 SPN Mat. 86</p>  <p>AG 040065 SPN Mat. 114 Age/Calv. 13/11 Avg. WI/Calf 103/10</p>	<p>LAR 030398 SPN Mat. 70 LA 950129 AFC 35 SPN Mat. 116 ICP 479 Age/Calv. 16/11 Avg. WI/Calf 105/11 AG 010245 SPN Mat. 70 AG 930183 AFC 30 SPN Mat. 131 ICP 406 Age/Calv. 15/12 Avg. WI/Calf 103/12</p>	<p>LAR 010297 SPN Mat. 72 LAR 990031 SPN Mat. 85 AG 910035 SPN Mat. 97 LA 900164 SPN Mat. 103 AG 980338 SPN Mat. 86 AG 960015 SPN Mat. 80 AG H 0001 SPN Mat. 104 AG L 0049 SPN Mat. 111</p>
---	--	--	--


Lot 180

<p>AG 110759 SPN Mat. 99 AFC 35 ICP 384 RI 107 Age/Calv. 9/7 Avg. WI/Calf 100/6</p>	<p>PAD 060055 SPN Mat. 100</p>  <p>AG 060183 SPN Mat. 109 Age/Calv. 13/12 Avg. WI/Calf 104/11</p>	<p>AEK 040007 SPN Mat. 127 AEK 040005 AFC 31 SPN Mat. 93 ICP 428 Age/Calv. 13/10 Avg. WI/Calf 101/10 LAR 010315 SPN Mat. 87 LA 950129 AFC 35 SPN Mat. 116 ICP 479 Age/Calv. 16/11 Avg. WI/Calf 105/11</p>	<p>AG 960059 SPN Mat. 110 AEK 010164 SPN Mat. 105 AG 960059 SPN Mat. 110 AEK 010080 SPN Mat. 77 RCO 980039 SPN Mat. 66 LAR 960272 SPN Mat. 92 AG 910035 SPN Mat. 97 LA 900164 SPN Mat. 103</p>
--	--	--	---


Lot 181

<p>Elite-Gold AG 110251 SPN Mat. 103 AFC 23 ICP 389 RI 115 Age/Calv. 9/8 Avg. WI/Calf 104/7</p>	<p>PAD 070093 SPN Mat. 101</p>  <p>AG 090024 SPN Mat. 91 Age/Calv. 3/1 Avg. WI/Calf 115/1</p>	<p>CSW 030109 SPN Mat. 96 AG 050042 AFC 29 SPN Mat. 101 ICP 377 Age/Calv. 10/8 Avg. WI/Calf 101/7 AG 030181 SPN Mat. 73 AG 050324 AFC 24 SPN Mat. 75 ICP 454 Age/Calv. 8/6 Avg. WI/Calf 94/5</p>	<p>CSW 990118 SPN Mat. 81 CSW 010103 SPN Mat. 102 RAI 990034 SPN Mat. 88 AG 960148 SPN Mat. 125 AG 000264 SPN Mat. 76 AG 000212 SPN Mat. 66 LAR 010176 SPN Mat. 80 AG 000121 SPN Mat. 82</p>
---	--	---	---




Lot 181A

<p>AG 110058 SPN Mat. 113 AFC 31 ICP 379 RI 112 Age/Calv. 10/8 Avg. WI/Calf 98/8</p>	<p>FCT 060109 SPN Mat. 113</p>  <p>BZ 010096 SPN Mat. 119 Age/Calv. 15/9 Avg. WI/Calf 106/8</p>	<p>FCT 040101 SPN Mat. 90 FCT 980024 AFC 30 SPN Mat. 110 ICP 362 Age/Calv. 11/10 Avg. WI/Calf 100/10 JJF 950071 SPN Mat. 127 FDEV950085 AFC 34 SPN Mat. 86 ICP 472 Age/Calv. 12/8 Avg. WI/Calf 93/7</p>	<p>BG 960125 SPN Mat. 101 FCT 020046 SPN Mat. 109 ROM 920141 SPN Mat. 107 RE 910118 SPN Mat. 116 HJL K 0002 SPN Mat. 127 JJF 900084 SPN Mat. 85 AM J 0126 SPN Mat. 79 FDEVN 0340 SPN Mat. 105</p>
---	--	--	--




Lot 181B

<p>AG 110465 SPN Mat. 95 AFC 36 ICP 362 RI 110 Age/Calv. 9/7 Avg. WI/Calf 101/7</p>	<p>PAD 070093 SPN Mat. 101</p>  <p>AG 090301 SPN Mat. 66 Age/Calv. 7/5 Avg. WI/Calf 87/5</p>	<p>CSW 030109 SPN Mat. 96 AG 050042 AFC 29 SPN Mat. 101 ICP 377 Age/Calv. 10/8 Avg. WI/Calf 101/7 CEF 050503 SPN Mat. 87 AG 050183 AFC 23 SPN Mat. 56 ICP 399 Age/Calv. 10/8 Avg. WI/Calf 91/8</p>	<p>CSW 990118 SPN Mat. 81 CSW 010103 SPN Mat. 102 RAI 990034 SPN Mat. 88 AG 960148 SPN Mat. 125 CEF 030453 SPN Mat. 103 CEF 030001 SPN Mat. 94 AEJ 010189 SPN Mat. 61 AG 960284 SPN Mat. 82</p>
--	---	---	--




Lot 181C

<p>AG 110394 SPN Mat. 98 OEK 23 TKP 430 RI 109 Oud/Kalw. 9/7 Gem. Sl/Kalf 103/7</p>		<p>VV 070012 SPN Mat. 110 Goud</p> <p>AG 060446 SPN Mat. 81 Oud/Kalw. 12/11 Gem. Sl/Kalf 93/11</p>		<p>VV 040046 SPN Mat. 114</p> <p>VV 040214 SPN Mat. 112 Oud/Kalw. 7/5 Gem. Sl/Kalf 102/5</p> <p>BZ 010154 SPN Mat. 77</p> <p>BZ 010192 SPN Mat. 110 Oud/Kalw. 8/6 Gem. Sl/Kalf 101/6</p>		<p>VV 010292 SPN Mat. 130 VV 000092 SPN Mat. 100 VV 020021 SPN Mat. 95 VV 020053 SPN Mat. 112 AG 980311 SPN Mat. 88 GBS 910072 SPN Mat. 98 AG 960315 SPN Mat. 97 GBS 920101 SPN Mat. 123</p>
--	---	--	---	--	---	--



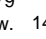
Lot 181D

<p>JHK 110133 SPN Mat. 101 OEK 20 TKP 363 RI 121 Oud/Kalw. 10/9 Gem. Sl/Kalf 101/10</p>		<p>NFS 070326 SPN Mat. 100</p> <p>NFS 040172 SPN Mat. 105 Oud/Kalw. 16/15 Gem. Sl/Kalf 101/14</p>		<p>NFS 030268 SPN Mat. 102 Silver Elite-Silwer</p> <p>NFS 050274 SPN Mat. 73 Oud/Kalw. 10/9 Gem. Sl/Kalf 93/9</p> <p>FCT 960024 SPN Mat. 82</p> <p>T 960041 SPN Mat. 103 Oud/Kalw. 10/7 Gem. Sl/Kalf 99/7</p>		<p>NFS 970243 SPN Mat. 78 NFS 980103 SPN Mat. 115 NFS 020188 SPN Mat. 93 NFS 010300 SPN Mat. 81 AG 910130 SPN Mat. 93 FCT 910099 SPN Mat. 92 AG K 0084 SPN Mat. 137 T 930053 SPN Mat. 69</p>
--	---	---	---	---	---	--




Lot 182

<p>AG 120182 SPN Mat. 95 OEK 35 TKP 408 RI 103 Oud/Kalw. 8/6 Gem. Sl/Kalf 101/5</p>		<p>AG 070299 SPN Mat. 91</p> <p>AG 090340 SPN Mat. 95 Oud/Kalw. 4/2 Gem. Sl/Kalf 107/2</p>		<p>LAR 030312 SPN Mat. 108</p> <p>AG 040285 SPN Mat. 70 Oud/Kalw. 11/11 Gem. Sl/Kalf 100/9</p> <p>VV 040146 SPN Mat. 68</p> <p>AG 030322 SPN Mat. 108 Oud/Kalw. 9/7 Gem. Sl/Kalf 103/7</p>		<p>LAR 010297 SPN Mat. 72 LAR 990317 SPN Mat. 87 RAI 990034 SPN Mat. 88 AG 960341 SPN Mat. 75 VV 010230 SPN Mat. 59 VV 000463 SPN Mat. 113 RCO 000091 SPN Mat. 68 AG 980145 SPN Mat. 131</p>
--	---	--	---	--	---	--




Lot 183

<p>AG 160328 SPN Mat. 101 OEK 25 TKP 420 RI 115 Oud/Kalw. 4/3 Gem. Sl/Kalf 105/2</p>		<p>AG 110813 SPN Mat. 102</p> <p>AG 040246 SPN Mat. 103 Oud/Kalw. 13/12 Gem. Sl/Kalf 107/12</p>		<p>VV 080492 SPN Mat. 90</p> <p>AG 080421 SPN Mat. 98 Oud/Kalw. 12/9 Gem. Sl/Kalf 101/9</p> <p>RCO 990110 SPN Mat. 116</p> <p>AG 990331 SPN Mat. 79 Oud/Kalw. 14/12 Gem. Sl/Kalf 95/11</p>		<p>VV 060054 SPN Mat. 100 VV 040282 SPN Mat. 101 AB 050001 SPN Mat. 98 AG 040114 SPN Mat. 102 RCO 910097 SPN Mat. 113 GTH 900043 SPN Mat. 109 LA 950141 SPN Mat. 66 AG 960026 SPN Mat. 107</p>
---	---	---	---	--	---	--

Lot 184

<p>AG 150262 SPN Mat. 84 OEK 39 TKP 445 RI 89 Oud/Kalw. 6/3 Gem. Sl/Kalf 102/2</p>		<p>LMR 080164 SPN Mat. 105</p> <p>AG 120715 SPN Mat. 73 Oud/Kalw. 8/6 Gem. Sl/Kalf 97/5</p>		<p>AG 020338 SPN Mat. 110</p> <p>LMR 040059 SPN Mat. 109 Oud/Kalw. 6/4 Gem. Sl/Kalf 102/3</p> <p>AG 070742 SPN Mat. 76</p> <p>AG 070109 SPN Mat. 65 Oud/Kalw. 7/5 Gem. Sl/Kalf 93/5</p>		<p>AG 980338 SPN Mat. 86 AG 950155 SPN Mat. 133 AG 990017 SPN Mat. 98 LMR 980188 SPN Mat. 107 WAT 030085 SPN Mat. 96 AG 030216 SPN Mat. 105 RCO 000091 SPN Mat. 68 MCH 020030 SPN Mat. 86</p>
---	---	---	---	---	---	---

Lot 185

<p>AG 170362 SPN Mat. 87 OEK 24 TKP 353 RI 124 Oud/Kalw. 3/2 Gem. Sl/Kalf 101/2</p>		<p>SYF 120293 SPN Mat. 78</p> <p>AG 090063 SPN Mat. 84 Oud/Kalw. 11/8 Gem. Sl/Kalf 100/8</p>		<p>SYF 090010 SPN Mat. 76</p> <p>SYF 090036 SPN Mat. 89 Oud/Kalw. 12/9 Gem. Sl/Kalf 100/7</p> <p>AG 050085 SPN Mat. 83</p> <p>AG 030261 SPN Mat. 94 Oud/Kalw. 12/11 Gem. Sl/Kalf 100/11</p>		<p>SYF 040160 SPN Mat. 65 SYF 060173 SPN Mat. 100 ADV 010011 SPN Mat. 79 SYF 060175 SPN Mat. 96 AG 980012 SPN Mat. 67 AG 010049 SPN Mat. 93 AG 980338 SPN Mat. 86 AG 970277 SPN Mat. 111</p>
--	---	--	---	---	---	--


FEMALE ANIMALS

Lot	Seller	ID	PARENTS	Test	Breeding Value Indexes											Days Open	Breeder Own Remarks										
					DIRECT CALF TRAITS		DAUGHTER TRAITS			GROWTH		EFF.	REP	MEASURE-MENTS				R:									
					Progeny Birth Weight	Progeny Wean Weight	Ease of Calving	Milk prod.	Mature Weight	Post Wean Weight	Daily Gain	Feed Conv			Height & Length												
POLLED	SIRE GV PV	Genomic Tested	DNA	Birth Dir	Wean Dir		Birth Mat	Wean Mat	Mat Wgt	Post Wean	ADG	FCR	SC	Hgt	Lgt	LHR	Age										
					Acc	Acc												Acc	Acc	Acc	Acc	Acc	Acc	Acc	Acc	WWR	Calves
					DAM GV PV	Birth Date												Wgt kg	Wgt kg	Ind	kg	kg	kg	365d Ind	540d Ind		


Pregnant Cows

186	ARTHUR DE VILLIERS & SEUN	AG 170992	AG 140141	PW540	114	103	144	86	81	96	97	101	106	88	96	-	173	
			<input checked="" type="checkbox"/>			-0.43	15.0	-2.18	0.2	-12.0	18.7	84	-55	14.4	-9	8	-	3.3
			AG 120031	DNA	79	72	63	53	38	67	40	18	43	43	42	-	3.3	
187	ARTHUR DE VILLIERS & SEUN	AG 170267	SYF 120293	PW540	93	102	107	74	95	99	88	91	104	78	88	-	143	
			<input checked="" type="checkbox"/>			1.78	14.2	-0.51	-3.4	5.0	21.0	41	-31	13.0	-17	-3	-	3.5
			TEW 060024	DNA	81	75	64	56	43	69	48	20	51	52	51	-	3.5	
188	ARTHUR DE VILLIERS & SEUN	AG 170185	AG 140146	PW540	113	92	103	82	95	93	91	96	97	87	91	-	94	
			<input checked="" type="checkbox"/>			-0.39	9.7	-0.31	-1.0	4.0	16.7	56	-43	7.7	-10	1	7.5	
			AG 150013	DNA	77	73	57	61	38	67	38	23	39	39	39	7.5	3.6	
189	ARTHUR DE VILLIERS & SEUN	AG 170265	JL 100198	PW540	97	97	114	109	88	100	98	98	104	93	95	-	178	
			<input checked="" type="checkbox"/>			1.36	11.9	-0.83	6.4	-3.0	22.1	87	-48	13.3	-5	7	-	3.5
			AG 120151	DNA	79	73	64	60	48	69	50	27	52	53	52	-	3.5	
190	ARTHUR DE VILLIERS & SEUN	AG 170432	AG 110215	PW540	87	114	127	103	96	115	104	103	117	99	104	-	205	
			<input checked="" type="checkbox"/>			2.44	19.8	-1.43	4.8	5.0	32.6	116	-61	23.5	0	20	-	3.4
			AG 080090	DNA	81	77	69	68	48	72	48	29	52	53	51	-	3.4	
191	ARTHUR DE VILLIERS & SEUN	AG 170160	AG 130147	PW540	113	87	116	95	59	81	87	101	101	72	79	-	135	
			<input checked="" type="checkbox"/>			-0.31	7.1	-0.90	2.7	-36.0	7.9	36	-55	10.9	-22	-15	6.05	
			AG 140218	DNA	78	70	61	47	36	67	38	19	40	40	39	6.05	3.6	


Lot 186

<p>AG 170992 SPN Mat. 86 AFC 24 ICP 311 RI 128 Age/Calv. 3/2 Avg. WI/Calf 93/2</p>	<p>AG 140141 SPN Mat. 80</p> 	<p>AG 080210 SPN Mat. 96</p>	<p>AG 090377 AFC 25 ICP 407 SPN Mat. 83 Age/Calv. 10/8 Avg. WI/Calf 100/7</p>	<p>HJS 030016 SPN Mat. 102 BZ 020158 SPN Mat. 127 AJF 040075 SPN Mat. 117 AG 030387 SPN Mat. 73 FCT 040101 SPN Mat. 90 FCT 980024 SPN Mat. 110 AG 030281 SPN Mat. 95 AG 020284 SPN Mat. 84</p>


Lot 187

<p>AG 170267 SPN Mat. 74 AFC 25 ICP 361 RI 122 Age/Calv. 3/2 Avg. WI/Calf 101/2</p>	<p>SYF 120293 SPN Mat. 78</p> 	<p>SYF 090010 SPN Mat. 76</p>	<p>SYF 090036 AFC 30 ICP 411 SPN Mat. 89 Age/Calv. 12/9 Avg. WI/Calf 100/7</p>	<p>SYF 040160 SPN Mat. 65 SYF 060173 SPN Mat. 100 ADV 010011 SPN Mat. 79 SYF 060175 SPN Mat. 96 SAS 980132 SPN Mat. 42 TEW 990020 SPN Mat. 119 V 900206 SPN Mat. 87 TEW 900034 SPN Mat. 119</p>


Lot 188

<p>AG 170185 SPN Mat. 82 AFC 26 ICP 428 RI 115 Age/Calv. 3/2 Avg. WI/Calf 94/2</p>	<p>AG 140146 SPN Mat. 101</p> 	<p>AG 090751 SPN Mat. 109</p>	<p>AG 100085 AFC 32 ICP 477 SPN Mat. 97 Age/Calv. 4/2 Avg. WI/Calf 108/2</p>	<p>CEF 040431 SPN Mat. 88 AG 980250 SPN Mat. 126 AG 060401 SPN Mat. 78 AG 050084 SPN Mat. 97 LAR 030398 SPN Mat. 70 AG 020165 SPN Mat. 110 AEJ 010189 SPN Mat. 61 AG 990336 SPN Mat. 84</p>


Lot 189

<p>AG 170265 P SPN Mat. 109 AFC 36 ICP RI 92 Age/Calv. 3/1 Avg. WI/Calf 98/1</p>	<p>JL 100198 SPN Mat. 117</p> 	<p>AG 040310 SPN Mat. 118</p>	<p>EI 940254 AFC 30 ICP 473 SPN Mat. 145 Age/Calv. 18/13 Avg. WI/Calf 104/12</p>	<p>AG 020251 SPN Mat. 121 AG 930063 SPN Mat. 98 CX N 0029 SPN Mat. 105 EI J 0262 SPN Mat. 117 LAR 030312 SPN Mat. 108 AG 040285 SPN Mat. 70 AG 040158 SPN Mat. 109 AG 060377 SPN Mat. 68</p>

Lot 190

<p>AG 170432 SPN Mat. 103 AFC 24 ICP 311 RI 127 Age/Calv. 3/2 Avg. WI/Calf 99/2</p>	<p>AG 110215 SPN Mat. 95</p> 	<p>VV 070012 SPN Mat. 110 Gold Elite-Gold</p>	<p>AG 020297 AFC 23 ICP 413 SPN Mat. 89 Age/Calv. 11/9 Avg. WI/Calf 108/9</p>	<p>VV 040046 SPN Mat. 114 VV 040214 SPN Mat. 112 AG 960184 SPN Mat. 112 AG 930179 SPN Mat. 75 AG 980338 SPN Mat. 86 AG 990187 SPN Mat. 116 AG 970005 SPN Mat. 118 HTC 980051 SPN Mat. 118</p>

Lot 191

<p>AG 170160 SPN Mat. 95 AFC 28 ICP 347 RI 117 Age/Calv. 3/2 Avg. WI/Calf 94/2</p>	<p>AG 130147 SPN Mat. 96</p> 	<p>AG 080210 SPN Mat. 96</p>	<p>AG 100156 AFC 36 ICP 486 SPN Mat. 101 Age/Calv. 7/4 Avg. WI/Calf 106/3</p>	<p>HJS 030016 SPN Mat. 102 BZ 020158 SPN Mat. 127 CSW 010014 SPN Mat. 94 AG 040166 SPN Mat. 94 HJS 030016 SPN Mat. 102 BZ 020158 SPN Mat. 127 FCT 060109 SPN Mat. 113 AG 060200 SPN Mat. 90</p>



VROULIKE DIERE

Lot	Verkoper	ID	POENA	Gen	OUERS		Toets	Teelwaarde indekse										Dae Oop	Gebruiker Eie Opmerkings					
					VADER	MOEDER		Geb Dir		Speen Dir		Geb Mat	Speen Mat	Volwas Gew	Naspeen		GDT			VOV	SO	Hgt	Lgt	LHV
					GV	OV		Akk	Akk	Akk	Akk	Akk	365d Ind	540d Ind	Ind	Ind	(mm)			(mm)	(mm)	GGV	SGV	



Dragtige Koeie

192	ARTHUR DE VILLIERS & SEUN	AG 170208	AG 120225	NS540	110	89	106	95	85	97	84	93	96	68	81	-	164
			<input checked="" type="checkbox"/>		-0.01	8.4	-0.45	2.5	-7.0	19.9	22	-35	6.9	-25	-13	8.7	3.5
			AG 140310	DNS	78	71	62	51	36	66	40	16	43	43	42		
		SP	<input checked="" type="checkbox"/>	03.09.17	30											-	2
193	ARTHUR DE VILLIERS & SEUN	AG 170792	AG 120720	NS540	106	104	96	98	103	98	106	98	99	98	100	-	221
			<input checked="" type="checkbox"/>		0.42	15.2	0.00	3.3	13.0	20.2	124	-48	8.7	0	14	-	3.4
			AG 090122	DNS	80	76	63	65	42	69	47	20	50	51	50		
		SP	<input checked="" type="checkbox"/>	25.10.17	34											39.9	1
194	ARTHUR DE VILLIERS & SEUN	AG 170811	AG 110231	NS540	93	99	117	94	105	97	123	112	95	102	106	-	150
			<input checked="" type="checkbox"/>		1.75	12.7	-0.95	2.2	16.0	19.4	205	-85	5.7	3	22	-	3.4
			AG 080092	DNS	81	76	69	63	51	70	53	43	56	57	56		
		SP	<input checked="" type="checkbox"/>	27.10.17	33											39.6	2
195	ARTHUR DE VILLIERS & SEUN	AG 171048 P	AG 120225	NS540	103	100	102	113	90	98	92	92	102	88	97	-	136
			<input checked="" type="checkbox"/>		0.76	13.2	-0.27	7.5	-1.0	20.6	61	-33	11.7	-9	10	-	3.2
			AG 150119	DNS	79	69	65	51	35	58	41	17	43	44	43		
		SP	<input checked="" type="checkbox"/>	18.12.17	34											-	2
196	ARTHUR DE VILLIERS & SEUN	AG 171038	AG 110317	NS540	126	78	112	105	61	86	83	92	104	75	80	-	75
			<input checked="" type="checkbox"/>		-1.68	3.1	-0.73	5.4	-34.0	12.0	17	-32	13.3	-19	-13	-	3.3
			AG 090101	DNS	80	74	69	61	45	70	49	28	52	53	51		
		SP	<input checked="" type="checkbox"/>	13.12.17	32											33.6	2
197	ARTHUR DE VILLIERS & SEUN	AG 170429	AG 130024	NS540	108	95	102	70	69	90	92	98	90	74	81	-	145
			<input checked="" type="checkbox"/>		0.15	10.9	-0.27	-4.5	-24.0	14.7	61	-49	1.4	-20	-13	-	3.4
			AG 130482	DNS	80	73	67	59	44	70	53	26	54	54	54		
		SP	<input checked="" type="checkbox"/>	12.10.17	32											39.6	2



Lot 192

<p>AG 170208 SPN Mat. 95 OEK 26 TKP 334 RI 122 Oud/Kalw. 3/2 Gem. SI/Kalf 98/2</p>		<p>AG 120225 SPN Mat. 120</p> <p>AG 140310 SPN Mat. 69 Oud/Kalw. 3/1 Gem. SI/Kalf 93/1</p>		<p>LAR 060034 SPN Mat. 110</p> <p>AG 040141 SPN Mat. 104 Oud/Kalw. 15/12 Gem. SI/Kalf 102/12</p> <p>AG 110362 SPN Mat. 77</p> <p>AG 110800 SPN Mat. 63 Oud/Kalw. 6/4 Gem. SI/Kalf 92/4</p>	<p>LAR 020101 SPN Mat. 92 LAR 980130 SPN Mat. 111 AG 000100 SPN Mat. 91 AG 020201 SPN Mat. 68 AG 070361 SPN Mat. 52 LAR 070196 SPN Mat. 99 AG 070361 SPN Mat. 52 AG 020241 SPN Mat. 94</p>
---	---	--	---	--	--



Lot 193

<p>AG 170792 SPN Mat. 98 OEK 33 TKP RI 99 Oud/Kalw. 3/1 Gem. SI/Kalf 94/1</p>		<p>AG 120720 SPN Mat. 102</p> <p>AG 090122 SPN Mat. 97</p>		<p>LAR 060034 SPN Mat. 110</p> <p>AG 080845 SPN Mat. 102 Oud/Kalw. 7/4 Gem. SI/Kalf 107/2</p> <p>CEW 060021 SPN Mat. 101</p> <p>LMR 050132 SPN Mat. 108 Oud/Kalw. 4/2 Gem. SI/Kalf 110/2</p>	<p>LAR 020101 SPN Mat. 92 LAR 980130 SPN Mat. 111 MMJ 030052 SPN Mat. 117 AG 990322 SPN Mat. 91 RB 010003 SPN Mat. 114 CEW 030091 Pp(c) SPN Mat. 115 AG 970223 SPN Mat. 93 LMR 990124 SPN Mat. 107</p>
--	---	--	---	--	--



Lot 194

<p>AG 170811 SPN Mat. 94 OEK 25 TKP 334 RI 125 Oud/Kalw. 3/2 Gem. SI/Kalf 96/2</p>		<p>AG 110231 SPN Mat. 89</p> <p>AG 080092 SPN Mat. 99 Oud/Kalw. 13/11 Gem. SI/Kalf 103/10</p>		<p>AG 070745 SPN Mat. 95</p> <p>AG 070467 SPN Mat. 115 Oud/Kalw. 10/8 Gem. SI/Kalf 104/8</p> <p>AG 050085 SPN Mat. 83</p> <p>AG 990135 SPN Mat. 115 Oud/Kalw. 14/12 Gem. SI/Kalf 101/10</p>	<p>WAT 030085 SPN Mat. 96 AG 030221 SPN Mat. 112 LAR 030312 SPN Mat. 108 AG 040150 SPN Mat. 113 AG 980012 SPN Mat. 67 AG 010049 SPN Mat. 93 AG 920046 SPN Mat. 123 AG N 0045 SPN Mat. 104</p>
---	---	---	---	---	---



Lot 195

<p>AG 171048 P SPN Mat. 113 OEK 24 TKP 313 RI 127 Oud/Kalw. 3/2 Gem. SI/Kalf 97/2</p>		<p>AG 120225 SPN Mat. 120</p> <p>AG 150119 SPN Mat. 106</p>		<p>LAR 060034 SPN Mat. 110</p> <p>AG 040141 SPN Mat. 104 Oud/Kalw. 15/12 Gem. SI/Kalf 102/12</p> <p>LAR 100242 SPN Mat. 96</p> <p>AG 090002 SPN Mat. 109 Oud/Kalw. 10/8 Gem. SI/Kalf 107/8</p>	<p>LAR 020101 SPN Mat. 92 LAR 980130 SPN Mat. 111 AG 000100 SPN Mat. 91 AG 020201 SPN Mat. 68 LAR 070304 SPN Mat. 104 LAR 010322 SPN Mat. 94 AG 030029 SPN Mat. 68 AG 980061 SPN Mat. 116</p>
--	---	---	---	--	---

Lot 196

<p>AG 171038 SPN Mat. 105 OEK 24 TKP 394 RI 123 Oud/Kalw. 3/2 Gem. SI/Kalf 91/2</p>		<p>AG 110317 SPN Mat. 103</p> <p>AG 090101 SPN Mat. 107 Oud/Kalw. 10/8 Gem. SI/Kalf 98/8</p>		<p>VV 070012 SPN Mat. 110 Goud</p> <p>AG 030322 SPN Mat. 108 Oud/Kalw. 9/7 Gem. SI/Kalf 103/7</p> <p>HJB 050052 SPN Mat. 113</p> <p>AG 040372 SPN Mat. 93 Oud/Kalw. 13/11 Gem. SI/Kalf 100/10</p>	<p>VV 040046 SPN Mat. 114 VV 040214 SPN Mat. 112 RCO 000091 SPN Mat. 68 AG 980145 SPN Mat. 131 NPT 910022 SPN Mat. 106 LA 980114 SPN Mat. 109 AG 020145 SPN Mat. 92 AG 950083 SPN Mat. 94</p>
--	---	--	---	---	---

Lot 197

<p>AG 170429 SPN Mat. 70 OEK 24 TKP 361 RI 123 Oud/Kalw. 3/2 Gem. SI/Kalf 98/2</p>		<p>AG 130024 SPN Mat. 82</p> <p>AG 130482 SPN Mat. 57</p>		<p>AG 090751 SPN Mat. 109</p> <p>HJB 030230 SPN Mat. 90 Oud/Kalw. 12/9 Gem. SI/Kalf 99/8</p> <p>AG 080311 SPN Mat. 84</p> <p>AG 090206 SPN Mat. 76 Oud/Kalw. 11/9 Gem. SI/Kalf 96/8</p>	<p>CEF 040431 SPN Mat. 88 AG 980250 SPN Mat. 126 LA 980044 SPN Mat. 89 HJB 000239 SPN Mat. 92 JJ 040115 SPN Mat. 121 AG 050224 SPN Mat. 59 AG 030256 SPN Mat. 85 AG 060276 SPN Mat. 97</p>
---	---	---	---	---	--

FEMALE ANIMALS


Lot	Seller	ID	PARENTS	Test	Breeding Value Indexes												Days Open	Breeder Own Remarks					
					SIRE GV PV	Genomic Tested	Birth Dir		Wean Dir		Birth Mat	Wean Mat	Mat Wgt	Post Wean		ADG			FCR	SC	Hgt	Lgt	LHR
							DNA	Acc	Acc	Acc	Acc	Acc	Acc	Acc	Acc	Acc			Acc	Acc	Acc	Acc	Acc

Pregnant Cows


Lot	Seller	ID	PARENTS	Test	Birth Dir	Wean Dir	Birth Mat	Wean Mat	Mat Wgt	Post Wean		ADG	FCR	SC	Hgt	Lgt	LHR	Days Open
										365d Ind	540d Ind							
198	ARTHUR DE VILLIERS & SEUN	AG 170977 SP	AG 130024 AG 130708	PW540	107	89	102	93	74	92	97	105	90	79	83	-	101	
				DNA	0.26	8.4	-0.28	1.9	-19.0	16.4	81	-67	1.3	-16	-10	-	3.3	
				23.11.17	33	74	69	61	47	69	52	24	54	54	53	-	34.1	
199	ARTHUR DE VILLIERS & SEUN	AG 170249 SP	AG 140128 AG 150309	PW540	130	87	136	93	63	81	90	99	105	80	84	-	237	
				DNA	-2.15	7.3	-1.82	2.0	-31.0	7.9	52	-52	14.3	-15	-7	-	3.5	
				23.09.17	23	72	61	66	33	64	34	19	36	36	35	-	2	
200	ARTHUR DE VILLIERS & SEUN	AG 170711 SP	AG 100438 AG 090351	PW540	84	105	112	99	94	98	91	95	100	89	98	-	144	
				DNA	2.74	15.6	-0.75	3.6	4.0	20.3	55	-40	10.0	-8	11	-	3.4	
				19.10.17	38	75	67	59	46	70	49	30	52	52	51	-	47.2	
201	ARTHUR DE VILLIERS & SEUN	AG 170439 SP	AG 110231 AG 110394	PW540	98	99	127	92	101	99	115	109	108	103	103	-	150	
				DNA	1.24	13.0	-1.41	1.8	11.0	20.9	170	-76	16.6	4	19	-	3.4	
				13.10.17	32	74	69	62	52	70	51	44	54	54	53	-	48.3	
202	ARTHUR DE VILLIERS & SEUN	AG 170418 SP	AG 120556 AG 140116	PW540	79	101	94	79	102	95	88	95	88	75	90	-	77	
				DNA	3.19	13.8	0.10	-1.8	12.0	18.0	40	-40	0.5	-19	0	-	3.4	
				11.10.17	37	74	64	54	35	68	47	38	50	51	50	-	2	
203	ARTHUR DE VILLIERS & SEUN	AG 170210 SP	AG 130312 AG 140208	PW540	110	108	101	104	100	107	105	100	106	99	103	-	504	
				DNA	-0.01	17.0	-0.26	5.2	10.0	26.6	119	-53	14.8	1	18	5.51	3.5	
				05.09.17	27	69	53	46	33	53	40	19	43	44	42	-	1	

1.03	13.4	-0.19	3.9	10	21.8	97	-53	9.8	1	14
------	------	-------	-----	----	------	----	-----	-----	---	----


Lot 198

<p>AG 170977 SPN Mat. 93 AFC 25 ICP 356 RI 123 Age/Calv. 3/2 Avg. WI/Calf 92/2</p>	 <p>AG 130024 SPN Mat. 82</p> <p>Elite-Bronze</p> <p>AG 130708 SPN Mat. 101 Age/Calv. 7/6 Avg. WI/Calf 96/6</p>	<p>AG 090751 SPN Mat. 109</p> <p>HJB 030230 AFC 38 SPN Mat. 90 ICP 407 Age/Calv. 12/9 Avg. WI/Calf 99/8</p> <p>AG 100080 SPN Mat. 105</p> <p>AG 090754 SPN Mat. 94 Age/Calv. 10/8 Avg. WI/Calf 103/8</p>	<p>CEF 040431 SPN Mat. 88 AG 980250 SPN Mat. 126 LA 980044 SPN Mat. 89 HJB 000239 SPN Mat. 92 LAR 040233 SPN Mat. 86 AG 050239 SPN Mat. 96 AG 050085 SPN Mat. 83 AG 030308 SPN Mat. 97</p>
---	---	--	---


Lot 199

<p>AG 170249 SPN Mat. 93 AFC 24 ICP 306 RI 128 Age/Calv. 3/2 Avg. WI/Calf 99/2</p>	 <p>AG 140128 SPN Mat. 92</p> <p>AG 150309 SPN Mat. 104 Age/Calv. 5/4 Avg. WI/Calf 100/3</p>	<p>AG 080210 SPN Mat. 96</p> <p>AG 090166 AFC 36 SPN Mat. 91 ICP 437 Age/Calv. 5/3 Avg. WI/Calf 98/3</p> <p>AG 110317 SPN Mat. 103</p> <p>AG 120214 SPN Mat. 100 Age/Calv. 8/6 Avg. WI/Calf 102/5</p>	<p>HJS 030016 SPN Mat. 102 BZ 020158 SPN Mat. 127 MMJ 030227 SPN Mat. 106 AG 070096 SPN Mat. 79 VV 070012 SPN Mat. 110 AG 030322 SPN Mat. 108 PAD 070100 SPN Mat. 99 AG 010121 SPN Mat. 86</p>
---	--	---	---


Lot 200

<p>AG 170711 SPN Mat. 99 AFC 26 ICP 313 RI 124 Age/Calv. 3/2 Avg. WI/Calf 98/1</p>	 <p>AG 100438 SPN Mat. 107</p> <p>AG 090351 SPN Mat. 92 Age/Calv. 11/10 Avg. WI/Calf 105/9</p>	<p>CSW 010014 SPN Mat. 94</p> <p>AG 990115 AFC 30 SPN Mat. 119 ICP 403 Age/Calv. 14/11 Avg. WI/Calf 102/11</p> <p>VV 040146 SPN Mat. 68</p> <p>AG 040045 SPN Mat. 89 Age/Calv. 11/8 Avg. WI/Calf 96/7</p>	<p>BG 960125 SPN Mat. 101 CSW 980048 SPN Mat. 112 AG 920046 SPN Mat. 123 AG 900105 SPN Mat. 104 VV 010230 SPN Mat. 59 VV 000463 SPN Mat. 113 AG 980338 SPN Mat. 86 AG 970041 SPN Mat. 107</p>
---	--	---	--


Lot 201

<p>AG 170439 SPN Mat. 92 AFC 25 ICP 354 RI 124 Age/Calv. 3/2 Avg. WI/Calf 102/2</p>	 <p>AG 110231 SPN Mat. 89</p> <p>AG 110394 SPN Mat. 98 Age/Calv. 9/7 Avg. WI/Calf 103/7</p>	<p>AG 070745 SPN Mat. 95</p> <p>AG 070467 AFC 34 SPN Mat. 115 ICP 370 Age/Calv. 10/8 Avg. WI/Calf 104/8</p> <p>VV 070012 SPN Mat. 110 Gold</p> <p>AG 060446 SPN Mat. 81 Age/Calv. 12/11 Avg. WI/Calf 93/11</p>	<p>WAT 030085 SPN Mat. 96 AG 030221 SPN Mat. 112 LAR 030312 SPN Mat. 108 AG 040150 SPN Mat. 113 VV 040046 SPN Mat. 114 VV 040214 SPN Mat. 112 BZ 010154 SPN Mat. 77 BZ 010192 SPN Mat. 110</p>
--	---	---	---

Lot 202

<p>AG 170418 SPN Mat. 79 AFC 26 ICP 382 RI 118 Age/Calv. 3/2 Avg. WI/Calf 108/1</p>	 <p>AG 120556 SPN Mat. 77</p> <p>AG 140116 SPN Mat. 81 Age/Calv. 6/4 Avg. WI/Calf 97/3</p>	<p>AG 080409 SPN Mat. 69</p> <p>AG 090586 AFC 35 SPN Mat. 95 ICP 370 Age/Calv. 6/4 Avg. WI/Calf 98/4</p> <p>ADV 090172 SPN Mat. 64</p> <p>AG 050203 SPN Mat. 97 Age/Calv. 12/11 Avg. WI/Calf 103/11</p>	<p>LAR 030398 SPN Mat. 70 AG 020165 SPN Mat. 110 AG 050263 SPN Mat. 113 AG 050581 SPN Mat. 102 SYF 070025 SPN Mat. 85 ADV 060167 SPN Mat. 79 AG 010152 SPN Mat. 100 AG 030021 SPN Mat. 94</p>
--	--	---	--

Lot 203

<p>AG 170210 SPN Mat. 104 AFC 26 ICP RI 122 Age/Calv. 2/1 Avg. WI/Calf 99/1</p>	 <p>AG 130312 SPN Mat. 103</p> <p>AG 140208 SPN Mat. 108 Age/Calv. 3/1 Avg. WI/Calf 95/1</p>	<p>AG 080249 SPN Mat. 105</p> <p>AG 090122 AFC 26 SPN Mat. 97 ICP 374 Age/Calv. 10/9 Avg. WI/Calf 103/9</p> <p>AG 090310 SPN Mat. 113</p> <p>AG 090340 SPN Mat. 95 Age/Calv. 4/2 Avg. WI/Calf 107/2</p>	<p>EI 940339 SPN Mat. 116 AG 060044 SPN Mat. 85 CEW 060021 SPN Mat. 101 LMR 050132 SPN Mat. 108 HJS 030016 SPN Mat. 102 AG 040253 SPN Mat. 104 VV 040146 SPN Mat. 68 AG 030322 SPN Mat. 108</p>
--	--	---	--


VROULIKE DIERE

Lot	Verkoper	ID	OUERS	Toets	Teelwaarde indekse											Dae Oop	Gebruiker Eie Opmerkings		
					VADER GV OV	Genomies Getoets	Geb Dir	Speen Dir	Geb Mat	Speen Mat	Volw Gew	Naspeen	GDT	VOV	SO			Hgt	Lgt
		POENA	MOEDER GV OV	DNS	Akk	Akk	Akk	Akk	Akk	Akk	Akk	Akk	Akk	Akk	Akk	Akk	GGV	Oud	
		Gen		Geb. dat.	Gew kg	Gew kg	Ind	kg	kg	kg	365d Ind	540d Ind	Ind	Ind	(mm)	(mm)	(mm)	SGV	Kalwers


Dragtige Koeie

204	ARTHUR DE VILLIERS & SEUN	AG 170252	JL 100198	NS540	100	94	118	102	83	98	103	103	105	92	93	-	268	
			<input checked="" type="checkbox"/>			1.04	10.8	-1.01	4.6	-9.0	20.5	111	-60	14.0	-6	4	-	3.5
			AG 120280	DNS	79	75	64	66	48	70	51	29	53	54	53			
		SP	<input checked="" type="checkbox"/>	24.09.17	33											48.3	1	
205	ARTHUR DE VILLIERS & SEUN	AG 150443	AG 120043	NS365	107	93	118	100	74	90	91	104	91	70	78	-	489	
			<input checked="" type="checkbox"/>			0.30	9.9	-0.99	3.8	-19.0	14.5	52	-63	2.4	-24	-17	5.67	5.4
			AG 050351	DNS	82	76	69	65	47	62	48	23	51	51	50			
		SP	<input checked="" type="checkbox"/>	07.10.15	34											41.5	3	
206	ARTHUR DE VILLIERS & SEUN	AG 150951	AG 110275	NS365	91	107	100	102	87	108	100	101	102	88	98	-	511	
			<input checked="" type="checkbox"/>			2.01	16.8	-0.21	4.5	-4.0	27.3	98	-56	11.2	-9	12	8.05	5.2
			MGH 130084	DNS	79	75	61	67	46	58	40	26	44	45	43			
		SP	<input checked="" type="checkbox"/>	16.12.15	33											-	2	
207	ARTHUR DE VILLIERS & SEUN	RHJ 150021	AG 120020	NS540	90	109	86	98	94	107	100	104	114	85	96	-	544	
			<input checked="" type="checkbox"/>			2.05	17.7	0.44	3.3	3.0	27.0	98	-63	21.3	-11	8	6.55	6
			AG 110070	DNS	81	77	68	73	48	68	40	22	42	42	42			
		SP	<input checked="" type="checkbox"/>	23.03.15	36											43.8	3	
208	ARTHUR DE VILLIERS & SEUN	AG 150867	AG 110317	NS365	119	88	139	95	56	85	84	87	104	80	89	-	531	
			<input checked="" type="checkbox"/>			-0.95	7.8	-1.95	2.6	-39.0	11.3	21	-20	13.4	-15	-2	6.5	5.4
			AG 120506	DNS	81	75	67	71	49	64	42	25	45	46	44			
		SP	<input checked="" type="checkbox"/>	09.11.15	26											-	2	
209	ARTHUR DE VILLIERS & SEUN	AG 150418	BPJ 080013	NS365	110	94	102	112	76	97	98	98	95	93	103	-	492	
			<input checked="" type="checkbox"/>			-0.08	10.4	-0.28	7.4	-17.0	19.5	85	-47	6.1	-5	19	8.67	5.5
			AG 130121	DNS	81	75	70	67	50	63	50	29	52	52	52			
		SP	<input checked="" type="checkbox"/>	03.10.15	26											47.7	3	


Lot 204

<p>AG 170252 SPN Mat. 102 OEK 33 TKP RI 100 Oud/Kalw. 3/1 Gem. SI/Kalf 106/1</p>	<p>JL 100198 SPN Mat. 117</p> 	<p>AG 040310 SPN Mat. 118</p> <p>EI 940254 OEK 30 SPN Mat. 145 TKP 473 Oud/Kalw. 18/13 Gem. SI/Kalf 104/12</p> <p>AG 070742 SPN Mat. 76</p> <p>AG 030272 OEK 23 SPN Mat. 83 TKP 380 Oud/Kalw. 12/11 Gem. SI/Kalf 96/11</p>	<p>AG 020251 SPN Mat. 121 AG 930063 SPN Mat. 98 CX N 0029 SPN Mat. 105 EI J 0262 SPN Mat. 117 WAT 030085 SPN Mat. 96 AG 030216 SPN Mat. 105 FAN 000010 SPN Mat. 103 AG 010158 SPN Mat. 78</p>
---	--	--	---


Lot 205

<p>AG 150443 SPN Mat. 100 OEK 26 TKP 354 RI 120 Oud/Kalw. 4/3 Gem. SI/Kalf 101/3</p>	<p>AG 120043 SPN Mat. 96</p> 	<p>AG 080210 SPN Mat. 96</p> <p>AG 050084 OEK 30 SPN Mat. 97 TKP 380 Oud/Kalw. 12/10 Gem. SI/Kalf 97/9</p> <p>AG 980012 SPN Mat. 67</p> <p>AG 050351 OEK 23 SPN Mat. 94 TKP 408 Oud/Kalw. 13/11 RI 111 Gem. SI/Kalf 98/11</p>	<p>HJS 030016 SPN Mat. 102 BZ 020158 SPN Mat. 127 AG 000100 SPN Mat. 91 AG 020017 SPN Mat. 108 TBR 910704 SPN Mat. 76 AG 950167 SPN Mat. 92 AG 950059 SPN Mat. 102 AG 960240 SPN Mat. 98</p>
---	---	---	--


Lot 206

<p>AG 150951 SPN Mat. 102 OEK 32 TKP 428 RI 102 Oud/Kalw. 4/2 Gem. SI/Kalf 108/2</p>	<p>AG 110275 SPN Mat. 86</p> 	<p>AG 070458 SPN Mat. 85</p> <p>AG 050399 OEK 24 SPN Mat. 83 TKP 369 Oud/Kalw. 12/11 Gem. SI/Kalf 99/11</p> <p>AG 080455 SPN Mat. 84</p> <p>MGH 050094 OEK 33 SPN Mat. 121 TKP 436 Oud/Kalw. 10/7 Gem. SI/Kalf 106/7</p>	<p>AG 010245 SPN Mat. 70 AG 000415 SPN Mat. 112 LAR 010176 SPN Mat. 80 AG 000238 SPN Mat. 75 LAR 030398 SPN Mat. 70 AG 020180 SPN Mat. 95 KHB 020007 SPN Mat. 86 MGH 010017 SPN Mat. 125</p>
---	---	--	--


Lot 207

<p>RHJ 150021 SPN Mat. 98 OEK 28 TKP 390 RI 112 Oud/Kalw. 4/3 Gem. SI/Kalf 93/3</p>	<p>AG 120020 SPN Mat. 79</p> 	<p>AG 080210 SPN Mat. 96</p> <p>AG 070421 OEK 25 SPN Mat. 60 TKP 363 Oud/Kalw. 12/11 Gem. SI/Kalf 93/10</p> <p>FCT 060109 SPN Mat. 113</p> <p>AG 040372 OEK 22 SPN Mat. 93 TKP 406 Oud/Kalw. 13/11 Gem. SI/Kalf 100/10</p>	<p>HJS 030016 SPN Mat. 102 BZ 020158 SPN Mat. 127 AG 020172 SPN Mat. 74 AG 030153 SPN Mat. 75 FCT 040101 SPN Mat. 90 FCT 980024 SPN Mat. 110 AG 020145 SPN Mat. 92 AG 950083 SPN Mat. 94</p>
--	---	--	--

Lot 208

<p>AG 150867 SPN Mat. 95 OEK 34 TKP 399 RI 101 Oud/Kalw. 4/2 Gem. SI/Kalf 101/2</p>	<p>AG 110317 SPN Mat. 103</p> 	<p>VV 070012 SPN Mat. 110 Goud</p> <p>AG 030322 OEK 24 SPN Mat. 108 TKP 424 Oud/Kalw. 9/7 Gem. SI/Kalf 103/7</p> <p>HART100095 SPN Mat. 82</p> <p>AG 060500 OEK 32 SPN Mat. 91 TKP 446 Oud/Kalw. 11/8 Gem. SI/Kalf 101/8</p>	<p>VV 040046 SPN Mat. 114 VV 040214 SPN Mat. 112 RCO 000091 SPN Mat. 68 AG 980145 SPN Mat. 131 WAT 040339 SPN Mat. 107 BHE 000055 SPN Mat. 76 AG 030029 SPN Mat. 68 AG 000694 SPN Mat. 113</p>
--	--	--	--

Lot 209

<p>AG 150418 P SPN Mat. 112 OEK 25 TKP 375 RI 120 Oud/Kalw. 4/3 Gem. SI/Kalf 99/3</p>	<p>BPJ 080013 SPN Mat. 148</p> 	<p>BG 020058 SPN Mat. 113</p> <p>RCO 990248 OEK 34 SPN Mat. 150 TKP 499 Oud/Kalw. 21/14 Gem. SI/Kalf 107/14</p> <p>AG 080407 SPN Mat. 75</p> <p>AG 080701 OEK 36 SPN Mat. 110 TKP 428 Oud/Kalw. 10/7 Gem. SI/Kalf 102/6</p>	<p>FCT 980063 SPN Mat. 121 B 930207 SPN Mat. 111 RCO 930139 SPN Mat. 130 RCO 920247 SPN Mat. 101 AG 030029 SPN Mat. 68 AG 030347 SPN Mat. 85 AG 060065 SPN Mat. 105 AG 060183 SPN Mat. 109</p>
--	---	---	--


FEMALE ANIMALS

Lot	Seller	ID	PARENTS	Test	Breeding Value Indexes											Days Open	Breeder Own Remarks		
					DIRECT CALF TRAITS		DAUGHTER TRAITS			GROWTH		EFF.	REP	MEASURE-MENTS				R:	
					Progeny Birth Weight	Progeny Wean Weight	Ease of Calving	Milk prod.	Mature Weight	Post Wean Weight	Daily Gain	Feed Conv			Height & Length				
			SIRE GV PV	Genomic Tested	Birth Dir	Wean Dir	Birth Mat	Wean Mat	Mat Wgt	Post Wean	ADG	FCR	SC	Hgt	Lgt	LHR	Age		
		POLLED	DAM GV PV	DNA	Acc	Acc	Acc	Acc	Acc	Acc	Acc	Acc	Acc	Acc	Acc	BWR		Calves	
		Gen	Birth Date	Wgt kg	Wgt kg	Ind	kg	kg	kg	365d Ind	540d Ind	Ind	Ind	(mm)	(mm)	(mm)			


Pregnant Cows

210	ARTHUR DE VILLIERS & SEUN	AG 130102 SP	AG 100069 <input checked="" type="checkbox"/>	PW540	94	97	76	100	74	96	96	95	105	86	98	-	62
			<input checked="" type="checkbox"/>	DNA	1.63	11.9	0.89	4.1	-19.0	19.2	76	-40	13.6	-10	12	5.23	8
			AG 080077 <input checked="" type="checkbox"/>	21.03.13	83	79	75	78	55	72	51	32	53	54	53	40.2	6
211	ARTHUR DE VILLIERS & SEUN	AG 140236 SP	TOR 050216 <input checked="" type="checkbox"/>	PW540	92	91	82	86	78	91	97	105	85	88	87	-	441
			<input checked="" type="checkbox"/>	DNA	1.87	9.4	0.62	-0.1	-15.0	15.1	84	-67	-2.0	-9	-4	7	6.8
			GZV 100341 <input checked="" type="checkbox"/>	23.05.14	81	76	72	73	58	68	50	28	53	53	52	37.4	3
212	ARTHUR DE VILLIERS & SEUN	AG 160293 P SP	AG 130115 <input checked="" type="checkbox"/>	PW540	116	101	114	113	78	108	115	101	110	107	113	-	160
			PP(c) <input checked="" type="checkbox"/>	DNA	-0.69	13.7	-0.83	7.4	-14.0	27.5	170	-56	17.9	7	33	7	4.5
			AG 140177 <input checked="" type="checkbox"/>	03.10.16	80	74	65	64	50	69	38	21	39	40	39	-	2
213	ARTHUR DE VILLIERS & SEUN	AG 160831 SP	AG 120720 <input checked="" type="checkbox"/>	PW540	107	106	118	102	84	101	110	103	107	96	101	-	250
			<input checked="" type="checkbox"/>	DNA	0.33	16.0	-1.01	4.5	-8.0	22.6	145	-62	15.4	-2	15	6.67	4.3
			AG 110394 <input checked="" type="checkbox"/>	18.11.16	80	75	67	66	51	69	47	24	50	50	49	41.6	2
214	ARTHUR DE VILLIERS & SEUN	AG 160367 P SP	AG 130115 <input checked="" type="checkbox"/>	PW540	97	102	74	97	89	106	106	103	94	100	103	-	117
			PP(c) <input checked="" type="checkbox"/>	DNA	1.38	14.4	0.98	3.2	-2.0	25.9	127	-62	4.8	1	18	8	4.4
			AG 140013 <input checked="" type="checkbox"/>	16.10.16	81	74	65	64	49	60	38	23	40	40	39	-	2
215	ARTHUR DE VILLIERS & SEUN	AG 170209 SP	AG 140146 <input checked="" type="checkbox"/>	PW540	95	97	96	102	91	94	94	96	95	94	99	-	144
			<input checked="" type="checkbox"/>	DNA	1.55	11.9	-0.02	4.4	0.0	17.4	68	-42	5.4	-3	12	7.82	3.5
			AG 140261 <input checked="" type="checkbox"/>	04.09.17	78	70	60	48	36	64	39	29	40	41	41	-	2


Lot 210

<p>AG 130102 SPN Mat. 100 AFC 27 ICP 409 RI 110 Age/Calv. 8/6 Avg. WI/Calf 94/5</p>	<p>AG 100069 SPN Mat. 112</p>  <p>AG 080077 SPN Mat. 115 Age/Calv. 11/7 Avg. WI/Calf 102/7</p>	<p>AG 060027 SPN Mat. 89</p> <p>AG 990243 AFC 24 SPN Mat. 136 ICP 463 Age/Calv. 16/12 Avg. WI/Calf 104/11</p> <p>AG 020251 SPN Mat. 121 Gold</p> <p>AG 990258 SPN Mat. 102 Age/Calv. 14/12 Avg. WI/Calf 102/12</p>	<p>LAR 010176 SPN Mat. 80 AG 020147 SPN Mat. 125 AG 960233 SPN Mat. 104 AG 950147 SPN Mat. 121 AG 980338 SPN Mat. 86 AG 950206 SPN Mat. 126 AG 950284 SPN Mat. 58 AG 930073 SPN Mat. 102</p>
--	---	---	---


Lot 211

<p>AG 140236 SPN Mat. 86 AFC 38 ICP 448 RI 91 Age/Calv. 6/3 Avg. WI/Calf 97/3</p>	<p>TOR 050216 SPN Mat. 111</p>  <p>GZV 100341 SPN Mat. 65 Age/Calv. 7/5 Avg. WI/Calf 96/4</p>	<p>AG 010051 SPN Mat. 107</p> <p>RAI 020013 AFC 25 SPN Mat. 109 ICP 370 Age/Calv. 3/2 Avg. WI/Calf 110/2</p> <p>PHR 060062 SPN Mat. 76</p> <p>GZV 040118 AFC 23 SPN Mat. 73 ICP 364 Age/Calv. 8/7 Avg. WI/Calf 95/5</p>	<p>AG 960059 SPN Mat. 110 AG 920184 SPN Mat. 102 EI 940339 SPN Mat. 116 RAI 910021 SPN Mat. 93 PHR 030036 SPN Mat. 117 PHR 020091 SPN Mat. 67 KHB 990183 SPN Mat. 82 GZV 000039 SPN Mat. 105</p>
--	--	---	---


Lot 212

<p>AG 160293 P SPN Mat. 113 AFC 33 ICP 475 RI 98 Age/Calv. 4/2 Avg. WI/Calf 104/2</p>	<p>AG 130115 PP(c) SPN Mat. 99</p>  <p>Elite-Bronze AG 140177 SPN Mat. 126 Age/Calv. 7/5 Avg. WI/Calf 107/5</p>	<p>MCU 070007 P SPN Mat. 97</p> <p>MCU 100005 P AFC 38 SPN Mat. 109 ICP 400 Age/Calv. 10/7 Avg. WI/Calf 103/7</p> <p>AG 090310 SPN Mat. 113</p> <p>AG 090292 AFC 35 SPN Mat. 121 ICP 454 Age/Calv. 10/7 Avg. WI/Calf 109/6</p>	<p>JPL 040139 P SPN Mat. 81 MCU 030040 P SPN Mat. 137 MCU 060034 P SPN Mat. 124 MCU 050023 SPN Mat. 78 HJS 030016 SPN Mat. 102 AG 040253 SPN Mat. 104 AG 060027 SPN Mat. 89 AG 060124 SPN Mat. 119</p>
--	---	--	---


Lot 213

<p>AG 160831 SPN Mat. 102 AFC 31 ICP 379 RI 108 Age/Calv. 4/2 Avg. WI/Calf 102/2</p>	<p>AG 120720 SPN Mat. 102</p>  <p>AG 110394 SPN Mat. 98 Age/Calv. 9/7 Avg. WI/Calf 103/7</p>	<p>LAR 060034 SPN Mat. 110</p> <p>AG 080845 AFC 36 SPN Mat. 102 ICP 457 Age/Calv. 7/4 Avg. WI/Calf 107/2</p> <p>VV 070012 SPN Mat. 110 Gold</p> <p>AG 060446 AFC 22 SPN Mat. 81 ICP 368 Age/Calv. 12/11 Avg. WI/Calf 93/11</p>	<p>LAR 020101 SPN Mat. 92 LAR 980130 SPN Mat. 111 MMJ 030052 SPN Mat. 117 AG 990322 SPN Mat. 91 VV 040046 SPN Mat. 114 VV 040214 SPN Mat. 112 BZ 010154 SPN Mat. 77 BZ 010192 SPN Mat. 110</p>
---	---	---	---

Lot 214

<p>AG 160367 P SPN Mat. 97 AFC 33 ICP 489 RI 96 Age/Calv. 4/2 Avg. WI/Calf 100/1</p>	<p>AG 130115 PP(c) SPN Mat. 99</p>  <p>AG 140013 SPN Mat. 94 Age/Calv. 7/5 Avg. WI/Calf 100/4</p>	<p>MCU 070007 P SPN Mat. 97</p> <p>MCU 100005 P AFC 38 SPN Mat. 109 ICP 400 Age/Calv. 10/7 Avg. WI/Calf 103/7</p> <p>TOR 050216 SPN Mat. 111</p> <p>AG 060250 AFC 23 SPN Mat. 76 ICP 413 Age/Calv. 12/10 Avg. WI/Calf 96/10</p>	<p>JPL 040139 P SPN Mat. 81 MCU 030040 P SPN Mat. 137 MCU 060034 P SPN Mat. 124 MCU 050023 SPN Mat. 78 AG 010051 SPN Mat. 107 RAI 020013 SPN Mat. 109 AG 010245 SPN Mat. 70 AG 990240 SPN Mat. 99</p>
---	--	---	--

Lot 215

<p>AG 170209 SPN Mat. 102 AFC 26 ICP 357 RI 120 Age/Calv. 3/2 Avg. WI/Calf 106/2</p>	<p>AG 140146 SPN Mat. 101</p>  <p>AG 140261 SPN Mat. 97 Age/Calv. 3/1 Avg. WI/Calf 98/1</p>	<p>AG 090751 SPN Mat. 109</p> <p>AG 100085 AFC 32 SPN Mat. 97 ICP 477 Age/Calv. 4/2 Avg. WI/Calf 108/2</p> <p>AG 100384 SPN Mat. 83</p> <p>JMP 990045 AFC 27 SPN Mat. 120 ICP 477 Age/Calv. 17/12 Avg. WI/Calf 103/11</p>	<p>CEF 040431 SPN Mat. 88 AG 980250 SPN Mat. 126 AG 060401 SPN Mat. 78 AG 050084 SPN Mat. 97 AG 070458 SPN Mat. 85 AG 030216 SPN Mat. 105 AG 920282 SPN Mat. 112 JMP 960077 SPN Mat. 141</p>
---	--	---	---


VRUOLIKE DIERE

Lot	Verkoper	ID	OUERS	Toets	Teelwaarde indekse											Dae Oop	Gebruiker Eie Opmerkings					
					VADER GV OV	Genomies Getoets	Geb Dir		Speen Dir		Geb Mat	Speen Mat	Volwas- se Gewig	GROEI				DOEL	REP	MATES		V:
							Nageslag Geboorte- gewig	Nageslag Speengewig	Gemak van Kalwing	Melk prod.	Naspeen- gewig	Daaglikse Toename	Voer- omset	Hoogte & Lengte	LHV							
		POENA	MOEDER GV OV	DNS	Akk	Akk	Akk	Akk	Akk	Akk	Akk	Akk	Akk	Akk	Akk	Akk	Akk	GGV	Oud			
		Gen		Geb. dat.	Gew kg	Gew kg	Ind	kg	kg	kg	365d Ind	540d Ind	Ind	Ind	(mm)	(mm)	(mm)	SGV	Kalwers			


Dragtige Koeie

216	ARTHUR DE VILLIERS & SEUN	AG 170669	AG 140334	NS365	114	106	107	81	103	99	96	97	96	90	94	-	259	
			<input checked="" type="checkbox"/>			-0.48	16.0	-0.51	-1.3	13.0	21.1	78	-45	6.3	-7	5	-	3.3
			AG 090577	DNS	78	73	58	63	36	54	32	20	34	34	34	34	-	1
217	ARTHUR DE VILLIERS & SEUN	AG 170851	BBP 120187	NS540	95	95	119	84	79	99	102	102	95	87	94	-	303	
			<input checked="" type="checkbox"/>			1.55	10.8	-1.06	-0.6	-14.0	21.1	106	-58	6.1	-10	5	-	3.4
			AG 070347	DNS	78	74	60	64	42	66	45	31	49	50	48	48	-	1
218	ARTHUR DE VILLIERS & SEUN	AG 180422	AG 130147	NS365	108	100	103	94	76	99	100	105	106	88	94	-	108	
			<input checked="" type="checkbox"/>			0.18	13.5	-0.35	2.3	-17.0	21.3	97	-65	14.7	-9	5	7.42	2.4
			JMP 100185	DNS	80	74	60	54	41	62	39	30	41	41	41	41	45.8	1
219	ARTHUR DE VILLIERS & SEUN	AG 180941	CEF 110362	NS365	86	112	120	92	110	108	91	96	97	85	91	-	157	
			<input checked="" type="checkbox"/>			2.50	19.1	-1.08	1.6	21.0	27.6	54	-42	7.5	-11	1	7.88	2.3
			MGH 140123	DNS	80	74	61	54	42	61	43	21	47	47	46	40.1	1	
220	ARTHUR DE VILLIERS & SEUN	AG 180802	AG 130147	NS365	96	106	119	94	86	101	96	101	109	88	95	-	124	
			<input checked="" type="checkbox"/>			1.41	16.2	-1.03	2.4	-6.0	22.4	80	-56	17.1	-8	7	8	2.4
			AG 120182	DNS	78	72	59	52	38	62	38	19	40	40	40	46.8	1	
221	ARTHUR DE VILLIERS & SEUN	AG 180385	AG 150289	NS365	92	114	117	88	86	109	97	98	102	88	96	-	114	
			<input checked="" type="checkbox"/>			1.88	19.9	-0.98	0.6	-5.0	28.2	84	-47	11.7	-8	9	8.65	2.4
			RHJ 150010	DNS	77	72	46	47	31	52	33	17	34	35	34	-	1	


Lot 216

<p>AG 170669 SPN Mat. 81 OEK 31 TKP RI 107 Oud/Kalw. 3/1 Gem. SI/Kalf 96/1</p>		<p>AG 140334 SPN Mat. 80</p> <p>AG 090577 SPN Mat. 94 Oud/Kalw. 9/7 Gem. SI/Kalf 100/7</p>	<p>AG 080454 SPN Mat. 87</p> <p>AG 090061 OEK 31 SPN Mat. 90 TKP 368 Oud/Kalw. 11/9 Gem. SI/Kalf 101/8</p> <p>AG 040077 SPN Mat. 76</p> <p>AG 980505 OEK * SPN Mat. 108 TKP 363 Oud/Kalw. */8 Gem. SI/Kalf 101/8</p>	<p>LAR 030398 SPN Mat. 70 AG 990115 SPN Mat. 119 AG 030256 SPN Mat. 85 BFB 000021 SPN Mat. 100 AG 980338 SPN Mat. 86 AG 980093 SPN Mat. 90</p>
---	---	--	--	--


Lot 217

<p>AG 170851 SPN Mat. 84 OEK 31 TKP RI 108 Oud/Kalw. 3/1 Gem. SI/Kalf 95/1</p>		<p>BBP 120187 SPN Mat. 94</p> <p>AG 070347 OEK 26 SPN Mat. 78 TKP 361 Oud/Kalw. 10/9 RI 118 Gem. SI/Kalf 98/9</p>	<p>AG 040289 SPN Mat. 120</p> <p>RKB 060011 OEK 36 SPN Mat. 84 TKP 452 Oud/Kalw. 8/5 Gem. SI/Kalf 93/4</p> <p>EI 040038 SPN Mat. 91</p> <p>AG 040103 OEK 25 SPN Mat. 75 TKP 373 Oud/Kalw. 13/12 Gem. SI/Kalf 97/11</p>	<p>AG 020193 SPN Mat. 108 AG 950012 SPN Mat. 120 PER 000077 SPN Mat. 98 RKB 040043 SPN Mat. 83 EI 980080 SPN Mat. 88 EI 990057 SPN Mat. 100 AG 980338 SPN Mat. 86 AG 000105 SPN Mat. 109</p>
---	---	---	--	--


Lot 218

<p>AG 180422 SPN Mat. 94 OEK 25 TKP RI 123 Oud/Kalw. 2/1 Gem. SI/Kalf 102/1</p>		<p>AG 130147 SPN Mat. 96</p> <p>JMP 100185 OEK 26 SPN Mat. 95 TKP 366 Oud/Kalw. 9/8 RI 117 Gem. SI/Kalf 101/8</p>	<p>AG 080210 SPN Mat. 96</p> <p>AG 100156 OEK 36 SPN Mat. 101 TKP 486 Oud/Kalw. 7/4 Gem. SI/Kalf 106/3</p> <p>JMP 060140 SPN Mat. 92 Goud</p> <p>JMP 080071 OEK 28 SPN Mat. 111 TKP Oud/Kalw. 2/1 Gem. SI/Kalf 98/1</p>	<p>HJS 030016 SPN Mat. 102 BZ 020158 SPN Mat. 127 CSW 010014 SPN Mat. 94 AG 040166 SPN Mat. 94 FCT 970024 SPN Mat. 91 JMP 040034 SPN Mat. 105 AG 020338 SPN Mat. 110 JMP 050428 SPN Mat. 110</p>
--	---	---	---	--


Lot 219

<p>AG 180941 SPN Mat. 92 OEK 23 TKP RI 131 Oud/Kalw. 2/1 Gem. SI/Kalf 107/1</p>		<p>CEF 110362 SPN Mat. 104</p> <p>MGH 140123 OEK 25 SPN Mat. 82 TKP 353 Oud/Kalw. 5/4 RI 121 Gem. SI/Kalf 97/3</p>	<p>AG 070480 SPN Mat. 111</p> <p>CEF 060010 OEK 24 SPN Mat. 94 TKP 447 Oud/Kalw. 8/6 Gem. SI/Kalf 98/6</p> <p>AG 080455 SPN Mat. 84</p> <p>FCT 100126 OEK 23 SPN Mat. 81 TKP 373 Oud/Kalw. 7/6 Gem. SI/Kalf 102/5</p>	<p>AG 020251 SPN Mat. 121 BZ 010192 SPN Mat. 110 CEF 030419 SPN Mat. 73 CEF 030177 SPN Mat. 122 LAR 030398 SPN Mat. 70 AG 020180 SPN Mat. 95 HJL 060120 SPN Mat. 86 HJL 040236 SPN Mat. 77</p>
--	---	--	---	--

Lot 220

<p>AG 180802 SPN Mat. 94 OEK 25 TKP RI 126 Oud/Kalw. 2/1 Gem. SI/Kalf 105/1</p>		<p>AG 130147 SPN Mat. 96</p> <p>AG 120182 OEK 35 SPN Mat. 95 TKP 408 Oud/Kalw. 8/6 RI 103 Gem. SI/Kalf 101/5</p>	<p>AG 080210 SPN Mat. 96</p> <p>AG 100156 OEK 36 SPN Mat. 101 TKP 486 Oud/Kalw. 7/4 Gem. SI/Kalf 106/3</p> <p>AG 070299 SPN Mat. 91</p> <p>AG 090340 OEK 35 SPN Mat. 95 TKP 559 Oud/Kalw. 4/2 Gem. SI/Kalf 107/2</p>	<p>HJS 030016 SPN Mat. 102 BZ 020158 SPN Mat. 127 CSW 010014 SPN Mat. 94 AG 040166 SPN Mat. 94 LAR 030312 SPN Mat. 108 AG 040285 SPN Mat. 70 VV 040146 SPN Mat. 68 AG 030322 SPN Mat. 108</p>
--	---	--	--	---

Lot 221

<p>AG 180385 SPN Mat. 88 OEK 25 TKP RI 123 Oud/Kalw. 2/1 Gem. SI/Kalf 100/1</p>		<p>AG 150289 SPN Mat. 108</p> <p>RHJ 150010 OEK 20 SPN Mat. 73 TKP 376 Oud/Kalw. 5/4 RI 125 Gem. SI/Kalf 99/3</p>	<p>AG 120225 SPN Mat. 120</p> <p>AG 120486 OEK 33 SPN Mat. 98 TKP 484 Oud/Kalw. 7/4 Gem. SI/Kalf 101/3</p> <p>AG 120062 SPN Mat. 85</p> <p>AG 110347 OEK 25 SPN Mat. 69 TKP 362 Oud/Kalw. 6/5 Gem. SI/Kalf 96/5</p>	<p>LAR 060034 SPN Mat. 110 AG 040141 SPN Mat. 104 FCT 060109 SPN Mat. 113 AG 080467 SPN Mat. 89 AG 070742 SPN Mat. 76 AG 080435 SPN Mat. 83 AG 070745 SPN Mat. 95 AG 070109 SPN Mat. 65</p>
--	---	---	---	---

FEMALE ANIMALS


Lot	Seller	ID	PARENTS		Test	Breeding Value Indexes											R:	Days Open	Breeder Own Remarks
			SIRE	PV		Birth Dir	Wean Dir	Birth Mat	Wean Mat	Mat Wgt	Post Wean	ADG	FCR	SC	Hgt	Lgt			
			Gen	DAM	DNA	Acc	Acc	Acc	Acc	Acc	Acc	Acc	Acc	Acc	Acc	Acc	Acc	Age	
			Gen	GV	Birth Date	Wgt kg	Wgt kg	Ind	kg	kg	kg	365d Ind	540d Ind	Ind	Ind	(mm)	(mm)	(mm)	Calves

Pregnant Cows


222	ARTHUR DE VILLIERS & SEUN	AG 180954 SP	AG 140090 <input checked="" type="checkbox"/>	PW365	102	99	90	111	84	108	100	97	95	99	102	-	129
			<input checked="" type="checkbox"/>	DNA	0.84	13.1	0.27	7.1	-8.0	27.4	98	-45	5.7	1	17	6.73	2.3
			AG 100802 <input checked="" type="checkbox"/>	16.11.18	33												41.4
223	ARTHUR DE VILLIERS & SEUN	AG 180831 SP	AG 140434 <input checked="" type="checkbox"/>	PW365	82	106	103	91	106	109	94	98	96	91	95	-	124
			<input checked="" type="checkbox"/>	DNA	2.90	16.0	-0.34	1.5	16.0	28.0	69	-49	6.9	-6	7	8.26	2.4
			AG 100034 <input checked="" type="checkbox"/>	31.10.18	38												40.3
224	ARTHUR DE VILLIERS & SEUN	AG 180819 SP	OB 130347 <input checked="" type="checkbox"/>	PW365	85	126	99	96	110	117	104	101	112	119	114	-	114
			<input checked="" type="checkbox"/>	DNA	2.56	25.5	-0.17	2.8	21.0	34.3	116	-56	19.6	17	33	6.67	2.4
			HJB 050032 <input checked="" type="checkbox"/>	28.10.18	34												-

1.03	13.4	-0.19	3.9	10	21.8	97	-53	9.8	1	14
------	------	-------	-----	----	------	----	-----	-----	---	----


Lot 222

<p>AG 180954 SPN Mat. 111 AFC 24 ICP RI 128 Age/Calv. 2/1 Avg. WI/Calf 91/1</p>	<p>AG 140090 SPN Mat. 107</p> 	<p>AG 100802 SPN Mat. 112 Age/Calv. 10/9 Avg. WI/Calf 102/8</p>	<p>AG 090751 SPN Mat. 109</p>	<p>AG 100055 SPN Mat. 101 Age/Calv. 10/7 Avg. WI/Calf 105/6</p>	<p>AG 070706 SPN Mat. 116 Age/Calv. 6/4 Avg. WI/Calf 102/3</p>	<p>CEF 040431 SPN Mat. 88</p>
						<p>AG 980250 SPN Mat. 126</p>
			<p>AG 070176 SPN Mat. 93</p>	<p>AG 980309 SPN Mat. 81</p>	<p>NPT 910022 SPN Mat. 106</p>	<p>LA 980114 SPN Mat. 109</p>
			<p>HJB 050052 SPN Mat. 113</p>	<p>AG 020251 SPN Mat. 121</p>	<p>AG 990048 SPN Mat. 87</p>	
			<p>AFC 32 ICP 430</p>	<p>AFC 25 ICP 477</p>		

Lot 223

<p>AG 180831 SPN Mat. 91 AFC 24 ICP RI 126 Age/Calv. 2/1 Avg. WI/Calf 96/1</p>	<p>AG 140434 SPN Mat. 95</p> 	<p>AG 100034 SPN Mat. 85</p>	<p>AG 080409 SPN Mat. 69</p>	<p>AG 100184 SPN Mat. 120 Age/Calv. 9/8 Avg. WI/Calf 104/8</p>	<p>AJF 040075 SPN Mat. 117</p>	<p>LAR 030398 SPN Mat. 70</p>
						<p>AG 020165 SPN Mat. 110</p>
			<p>AFC 24 ICP 381</p>	<p>AFC 29 ICP 364</p>	<p>AFC 29 ICP 364</p>	<p>VV 070122 SPN Mat. 126</p>
				<p>AG 040442 SPN Mat. 104</p>	<p>KTB 960047 SPN Mat. 116</p>	<p>AJF 990292 SPN Mat. 115</p>
				<p>AG 980338 SPN Mat. 86</p>	<p>AG 950013 SPN Mat. 101</p>	

Lot 224

<p>AG 180819 SPN Mat. 96 AFC 25 ICP RI 125 Age/Calv. 2/1 Avg. WI/Calf 90/1</p>	<p>OB 130347 SPN Mat. 104</p> 	<p>HJB 050032 SPN Mat. 92 Age/Calv. 14/12 Avg. WI/Calf 104/12</p>	<p>OB 100079 SPN Mat. 84</p>	<p>OB 100293 SPN Mat. 133 Age/Calv. 10/8 Avg. WI/Calf 106/6</p>	<p>LA 970205 SPN Mat. 93</p>	<p>OB 070204 SPN Mat. 89</p>
						<p>OB 060282 SPN Mat. 83</p>
			<p>AFC 31 ICP 386</p>	<p>AFC 33 ICP 459</p>	<p>OB 020121 SPN Mat. 123</p>	<p>OB 000382 SPN Mat. 130</p>
					<p>GB 920056 SPN Mat. 111</p>	<p>LA K 0016 SPN Mat. 95</p>
					<p>AG 920153 SPN Mat. 91</p>	<p>LA 980003 SPN Mat. 89</p>

VROULIKE DIERE

Lot	Verkoper	ID	OUERS	Toets	Teelwaarde indekse											LHV	GGV	SGV	Gebruiker Eie Opmerkings					
					VADER GV OV	Genomies Getoets	Geb Dir		Speen Dir		Geb Mat	Speen Mat	Volwas- se Gew	Naspeen						GDT	VOV	SO	Hgt	Lgt
							DNS	Akk	Akk	Akk	Akk	Akk	Akk	Akk	Akk					Akk	Akk	Akk	Akk	Akk
		Gen	MOEDER GV OV	Geb. dat.	Gew kg	Gew kg	Ind	kg	kg	kg	365d Ind	540d Ind	Ind	Ind	(mm)	(mm)	(mm)							


Dragtige Verse

225	ARTHUR DE VILLIERS & SEUN	AG 181023 SP	AG 140090 <input checked="" type="checkbox"/>	NS365	104	96	101	107	80	101	88	91	95	83	95	-	
				DNS	0.62	11.3	-0.26	5.9	-13.0	22.9	40	-29	5.8	-12	7	7.38	
			AG 120375 <input checked="" type="checkbox"/>	30.11.18	31	207	96		112	-						45	
226	ARTHUR DE VILLIERS & SEUN	AG 180707 SP	AG 130080 <input checked="" type="checkbox"/>	NS365	105	108	113	103	90	106	94	99	97	82	92	-	
				DNS	0.50	17.1	-0.79	4.9	-1.0	26.2	71	-50	7.6	-13	4	8.25	
			AG 130151 <input checked="" type="checkbox"/>	19.10.18	33	224	105		113	-						45.6	
227	ARTHUR DE VILLIERS & SEUN	AG 180830 SP	AG 160088 <input checked="" type="checkbox"/>	NS365	92	106	110	100	96	100	100	103	99	91	98	-	
				DNS	1.84	16.1	-0.64	4.0	5.0	22.1	96	-62	9.0	-6	12	7.07	
			AG 150871 <input checked="" type="checkbox"/>	30.10.18	35	248	110		113	-						-	
228	ARTHUR DE VILLIERS & SEUN	AG 180969 SP	GJN 160218 <input checked="" type="checkbox"/>	NS365	97	103	101	112	103	114	111	105	111	96	99	-	
				DNS	1.35	14.9	-0.26	7.3	13.0	31.9	151	-65	18.7	-2	13	6.15	
			AG 140365 <input checked="" type="checkbox"/>	19.11.18	32	220	103		108	-						38.2	
229	ARTHUR DE VILLIERS & SEUN	AG 180310 SP	RHJ 160016 <input checked="" type="checkbox"/>	NS365	91	99	92	100	85	99	90	96	99	83	91	-	
				DNS	1.97	13.0	0.18	3.9	-7.0	21.0	49	-43	9.0	-13	1	6.94	
			AG 150295 <input checked="" type="checkbox"/>	30.09.18	34	236	97		94	-						-	
230	ARTHUR DE VILLIERS & SEUN	AG 180409 SP	AG 130080 <input checked="" type="checkbox"/>	NS365	111	97	100	112	85	103	94	94	99	79	95	-	
				DNS	-0.13	11.9	-0.19	7.3	-7.0	23.8	67	-37	9.1	-16	7	6.8	
			AG 130454 <input checked="" type="checkbox"/>	12.10.18	33	211	97		104	-						38.6	

Lot 225

AG 181023
SPN Mat. 107

AG 140090
SPN Mat. 107



AG 120375
SPN Mat. 102
Oud/Kalw. 8/6
Gem. SI/Kalf 99/5

OEK 36
TKP 372
RI 107

AG 090751
SPN Mat. 109

AG 100055
SPN Mat. 101
Oud/Kalw. 10/7
Gem. SI/Kalf 105/6

OEK 32
TKP 430

FCT 060109
SPN Mat. 113

AG 080069
SPN Mat. 108
Oud/Kalw. 12/10
Gem. SI/Kalf 104/10


OEK 31
TKP 370

CEP 040431
SPN Mat. 88
AG 980250
SPN Mat. 126
AG 070176
SPN Mat. 93
AG 980309
SPN Mat. 81
FCT 040101
SPN Mat. 90
FCT 980024
SPN Mat. 110
AG 020251
SPN Mat. 121
AG 960246
SPN Mat. 96

Lot 226

AG 180707
SPN Mat. 103

AG 130080
SPN Mat. 103



AG 130151
SPN Mat. 103
Oud/Kalw. 5/4
Gem. SI/Kalf 111/4

OEK 24
TKP 373
RI 119

AG 100163
SPN Mat. 91

AG 080194
SPN Mat. 119
Oud/Kalw. 6/4
Gem. SI/Kalf 99/3

OEK 26
TKP 476

CEP 100327
SPN Mat. 85

AG 100341
SPN Mat. 101
Oud/Kalw. 10/8
Gem. SI/Kalf 102/6


OEK 35
TKP 370

AG 060027
SPN Mat. 89
AG 070467
SPN Mat. 115
AG 020251
SPN Mat. 121
AG 030408
SPN Mat. 124
CEP 070468
SPN Mat. 93
CEP 070171
SPN Mat. 95
MBT 070136
SPN Mat. 110
AG 080323
SPN Mat. 84

Lot 227

AG 180830
SPN Mat. 100

AG 160088
SPN Mat. 86



AG 150871
SPN Mat. 113
Oud/Kalw. 5/4
Gem. SI/Kalf 107/3

OEK 23
TKP 384
RI 119

AG 130024
SPN Mat. 82

AG 090181
SPN Mat. 99
Oud/Kalw. 6/5
Gem. SI/Kalf 97/5

OEK 25
TKP 401

AG 100080
SPN Mat. 105

AG 110728
SPN Mat. 128
Oud/Kalw. 9/7
Gem. SI/Kalf 105/6


OEK 33
TKP 376

AG 090751
SPN Mat. 109
HJB 030230
SPN Mat. 90
AG 060411
SPN Mat. 118
AG 060173
SPN Mat. 86
LAR 040233
SPN Mat. 86
AG 050239
SPN Mat. 96
AG 080057
SPN Mat. 85
AG 080780
SPN Mat. 117

Lot 228

AG 180969
SPN Mat. 112

GJN 160218
SPN Mat. 117



AG 140365
SPN Mat. 104
Oud/Kalw. 6/4
Gem. SI/Kalf 103/3

OEK 36
TKP 367
RI 105

AG 120070
SPN Mat. 116
Elite-Bron

GJN 090257
SPN Mat. 119
Oud/Kalw. 8/6
Gem. SI/Kalf 110/6

OEK 36
TKP 359

AG 090310
SPN Mat. 113

AG 030308
SPN Mat. 97
Oud/Kalw. 13/11
Gem. SI/Kalf 107/10


OEK 23
TKP 407

AG 070742
SPN Mat. 76
AG 080719
SPN Mat. 101
HJB 040251
SPN Mat. 104
GJN 050360
SPN Mat. 83
HJS 030016
SPN Mat. 102
AG 040253
SPN Mat. 104
RCO 980035
SPN Mat. 65
AG 970096
SPN Mat. 100

Lot 229

AG 180310
SPN Mat. 100

RHJ 160016
SPN Mat. 92



AG 150295
SPN Mat. 108
Oud/Kalw. 5/3
Gem. SI/Kalf 92/2

OEK 38
TKP 393
RI 97

AG 080409
SPN Mat. 69

AG 110376
SPN Mat. 112
Oud/Kalw. 9/7
Gem. SI/Kalf 102/7

OEK 24
TKP 426

GZV 120062
SPN Mat. 113

AG 120182
SPN Mat. 95
Oud/Kalw. 8/6
Gem. SI/Kalf 101/5


OEK 35
TKP 408

LAR 030398
SPN Mat. 70
AG 020165
SPN Mat. 110
PAD 070064
SPN Mat. 119
AG 060173
SPN Mat. 86
AG 090483
SPN Mat. 99
AG 080251
SPN Mat. 128
AG 070299
SPN Mat. 91
AG 090340
SPN Mat. 95

Lot 230

AG 180409
SPN Mat. 112

AG 130080
SPN Mat. 103



AG 130454
SPN Mat. 119
Oud/Kalw. 7/5
Gem. SI/Kalf 105/4

OEK 33
TKP 407
RI 104

AG 100163
SPN Mat. 91

AG 080194
SPN Mat. 119
Oud/Kalw. 6/4
Gem. SI/Kalf 99/3

OEK 26
TKP 476

AG 110061
SPN Mat. 123

AG 110371
SPN Mat. 102
Oud/Kalw. 6/4
Gem. SI/Kalf 103/4

OEK 24
TKP 480

AG 060027
SPN Mat. 89
AG 070467
SPN Mat. 115
AG 020251
SPN Mat. 121
AG 030408
SPN Mat. 124
FCT 060109
SPN Mat. 113
AG 030203
SPN Mat. 86
AG 070138
SPN Mat. 106
BZ 030193
SPN Mat. 86

FEMALE ANIMALS

Lot	Seller	ID	PARENTS	Test	Breeding Value Indexes												LHR	BWR	WWR	Breeder Own Remarks	
					DIRECT CALF TRAITS		DAUGHTER TRAITS			GROWTH		EFF.	REP	MEASURE-MENTS							R:
					Progeny Birth Weight	Progeny Wean Weight	Ease of Calving	Milk prod.	Mature Weight	Post Wean Weight	Daily Gain	Feed Conv			Height & Length						
Gen	SIRE GV PV	DAM GV PV	Genomic Tested	Birth Dir	Wean Dir	Birth Mat	Wean Mat	Mat Wgt	Post Wean	ADG	FCR	SC	Hgt	Lgt							
				DNA	Acc	Acc	Acc	Acc	Acc	Acc	Acc	Acc	Acc	Acc	Acc	Acc	Acc	Acc			
				Birth Date	Wgt kg	Wgt kg	Ind	kg	kg	kg	365d Ind	540d Ind	Ind	Ind	(mm)	(mm)	(mm)				

Pregnant Heifers

231	ARTHUR DE VILLIERS & SEUN	AG 180251	AG 150006	PW365	106	107	115	91	106	107	99	101	103	87	96	-		
			<input checked="" type="checkbox"/>		0.41	16.6	-0.86	1.4	16.0	26.7	92	-56	12.1	-9	8	5.34		
			AG 130358	DNA	76	70	47	49	35	56	34	17	37	37	36			
		SP	<input checked="" type="checkbox"/>	17.09.18	31	209	97			111	-					37.9		
232	ARTHUR DE VILLIERS & SEUN	AG 181060	GZV 120062	PW365	95	92	95	110	79	89	88	88	104	84	94	-		
			<input checked="" type="checkbox"/>		1.59	9.8	0.03	6.8	-14.0	13.7	42	-21	13.3	-12	5	6.79		
			DBP 090158	DNA	78	62	52	54	38	58	45	28	49	50	48			
		SP	<input checked="" type="checkbox"/>	11.12.18	38	249	102			96	-					-		
233	ARTHUR DE VILLIERS & SEUN	AG 180970	AG 130080	PW365	100	95	96	94	78	97	94	99	90	70	83	-		
			<input checked="" type="checkbox"/>		0.99	11.0	-0.01	2.2	-15.0	19.9	69	-50	1.7	-24	-10	8.24		
			AG 130424	DNA	77	73	54	53	41	62	39	22	41	42	41			
		SP	<input checked="" type="checkbox"/>	19.11.18	35	199	90			94	-					41.1		
234	ARTHUR DE VILLIERS & SEUN	AG 180447	AG 140090	PW365	98	99	99	105	88	102	95	96	100	86	96	-		
			<input checked="" type="checkbox"/>		1.27	12.8	-0.13	5.4	-3.0	23.5	75	-42	9.7	-11	8	7.33		
			AG 120434	DNA	77	72	51	52	36	62	36	22	38	39	38			
		SP	<input checked="" type="checkbox"/>	15.10.18	33	210	97			105	-					43		
235	ARTHUR DE VILLIERS & SEUN	AG 180140	AG 150143	PW365	94	104	101	89	97	103	96	97	100	92	98	-		
			<input checked="" type="checkbox"/>		1.67	15.2	-0.24	0.8	7.0	24.1	77	-47	10.1	-6	12	6.67		
			AG 150819	DNA	76	70	48	49	35	56	36	19	38	39	38			
		SP	<input checked="" type="checkbox"/>	30.07.18	30	259	107			96	-					-		
236	ARTHUR DE VILLIERS & SEUN	AG 180378	AG 140090	PW365	97	109	100	110	101	109	106	98	102	95	107	-		
			<input checked="" type="checkbox"/>		1.39	17.6	-0.19	6.8	11.0	28.5	124	-48	11.5	-3	24	7.2		
			AG 110122	DNA	77	73	51	54	41	63	40	22	42	42	41			
		SP	<input checked="" type="checkbox"/>	09.10.18	36	235	109			112	-					39.4		

VROULIKE DIERE

Lot	Verkoper	ID	POENA	Gen	OUIERS		Toets	Teelwaarde indekse										LHV	GGV	SGV	Gebruiker Eie Opmerkings								
					VADER GV OV	MOEDER GV OV		Genomies Getoets	DNS	Geb Dir	Speen Dir	Geb Mat	Speen Mat	Volwas- se Gewig	Naspeen	GDT	VOV					SO	Hgt	Lgt	DNS	Geb. dat.	Gew kg	Gew kg	Ind

Dragtige Verse

237	ARTHUR DE VILLIERS & SEUN	AG 180396	AG 150290	NS365	104	103	114	99	87	96	93	100	102	83	89	-	6.06		
			<input checked="" type="checkbox"/>	DNS	0.59	14.8	-0.83	3.8	-5.0	19.3	62	-53	11.6	-12	-1				
			AG 150173	11.10.18	76	70	47	47	31	51	33	16	35	36	35				
238	ARTHUR DE VILLIERS & SEUN	AG 180781	AG 140092	NS365	77	107	105	112	79	98	98	99	112	91	97	-	8.2	35.9	
			<input checked="" type="checkbox"/>	DNS	3.46	16.6	-0.44	7.4	-13.0	20.6	86	-50	19.5	-7	10				
			AG 110220	25.10.18	79	75	55	56	41	62	49	30	51	52	51				
239	ARTHUR DE VILLIERS & SEUN	AG 180944	AG 140434	NS365	95	95	101	92	87	104	94	100	98	76	84	-	7.47	41.3	
			<input checked="" type="checkbox"/>	DNS	1.57	10.8	-0.25	1.7	-4.0	24.7	69	-54	8.4	-19	-9				
			AG 120280	14.11.18	77	71	52	52	39	60	39	22	41	41	41				
240	ARTHUR DE VILLIERS & SEUN	AG 180928	AG 150821	NS365	80	109	127	88	81	108	101	100	105	88	97	-	7.45	35.6	
			<input checked="" type="checkbox"/>	DNS	3.13	17.4	-1.41	0.6	-11.0	27.6	104	-54	13.7	-8	10				
			AG 130230	11.11.18	74	69	48	50	38	56	36	24	38	38	38				

